



US00D770616S

(12) **United States Design Patent** (10) **Patent No.:** **US D770,616 S**  
**Halbert et al.** (45) **Date of Patent:** **\*\* \*Nov. 1, 2016**

(54) **MEDICAL DEVICE HANDLE**

3,614,953 A 10/1971 Moss  
4,051,596 A 10/1977 Hofmann  
4,203,444 A 5/1980 Bonnell et al.  
4,246,902 A 1/1981 Martinez

(71) Applicant: **The Spectranetics Corporation,**  
Colorado Springs, CO (US)

(Continued)

(72) Inventors: **Phillip Charles Halbert,** San  
Francisco, CA (US); **Christopher Allen  
Wilson,** Oakland, CA (US)

**FOREIGN PATENT DOCUMENTS**

(73) Assignee: **The Spectranetics Corporation,**  
Colorado Springs, CO (US)

JP H05506382 A 9/1993  
JP 2004516073 A 6/2004

(Continued)

(\* ) Notice: This patent is subject to a terminal dis-  
claimer.

**OTHER PUBLICATIONS**

(\*\*) Term: **14 Years**

Department of Health and Ageing in Australian Government, "Hori-  
zon Scanning Technology Prioritising: Laser Extraction Systems."  
2010. 15 pages.

(21) Appl. No.: **29/519,239**

(Continued)

(22) Filed: **Mar. 3, 2015**

*Primary Examiner* — Wan Laymon  
*Assistant Examiner* — Mark Booker

**Related U.S. Application Data**

(63) Continuation-in-part of application No. 14/627,950,  
filed on Feb. 20, 2015.

(74) *Attorney, Agent, or Firm* — Faegre Baker Daniels  
LLP

(51) **LOC (10) Cl.** ..... **24-02**

(52) **U.S. Cl.**  
USPC ..... **D24/133**

(57) **CLAIM**

(58) **Field of Classification Search**  
USPC ..... D24/133, 107, 143–147, 148–149;  
D8/49–51, 57, 68; 227/175.1, 175.2,  
227/180.1, 901–902; 606/1, 39, 130, 139,  
606/142–143, 48, 169–170, 174, 175.1,  
606/175.2, 180.1, 205  
CPC ..... A61B 2017/00424; A61B 2017/2929;  
A61B 2017/2925; A61B 2017/00429; A61B  
17/0684; A61B 17/0401  
See application file for complete search history.

The ornamental design for medical device handle, as shown  
and described.

**DESCRIPTION**

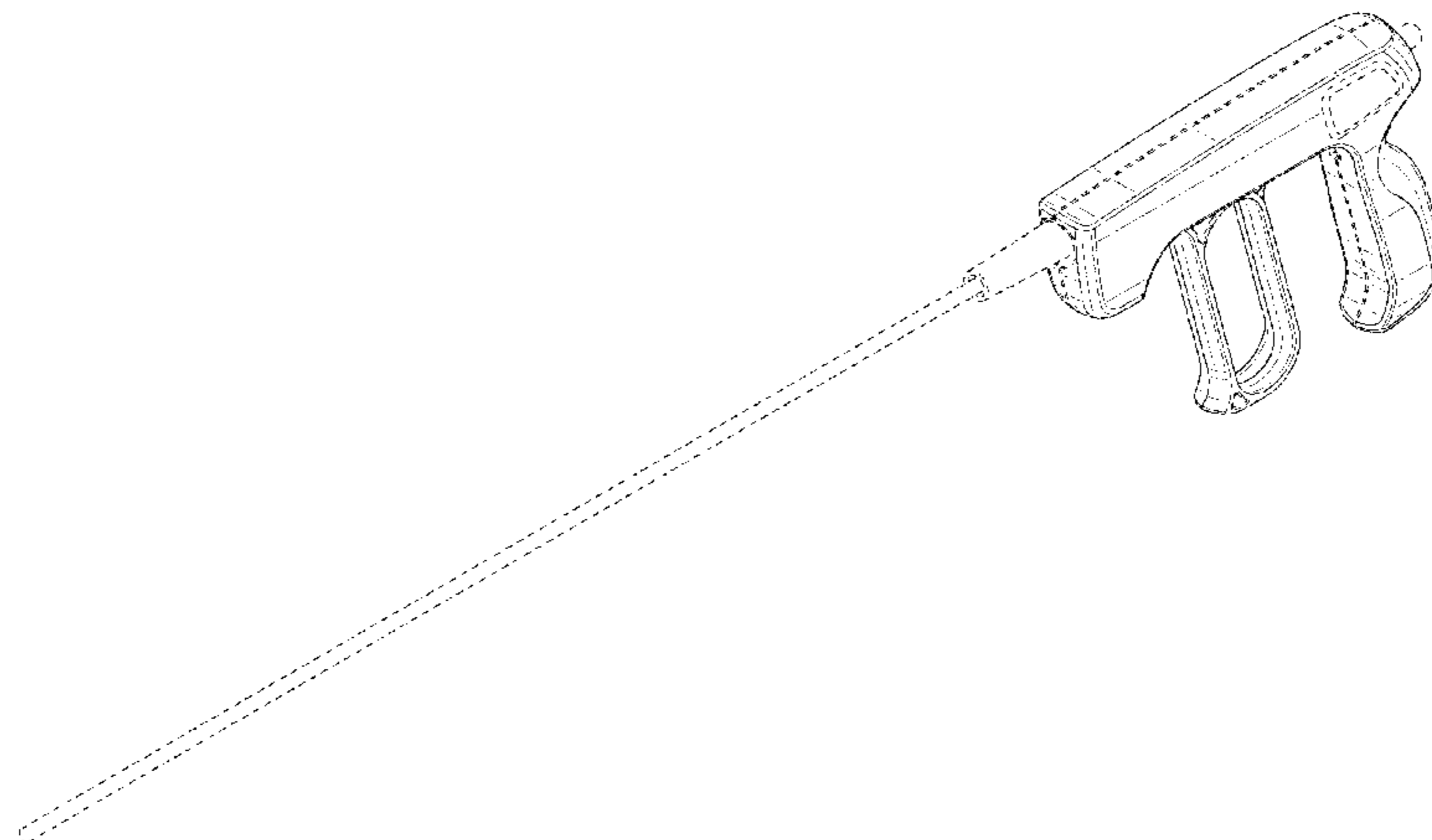
(56) **References Cited**

**U.S. PATENT DOCUMENTS**

1,663,761 A 3/1928 Johnson  
3,400,708 A 9/1968 Scheidt

FIG. 1 is a front perspective view of medical device handle  
illustrating our new design;  
FIG. 2 is a front side view thereof;  
FIG. 3 is a back side view thereof;  
FIG. 4 is a left side view thereof;  
FIG. 5 is a right side view thereof;  
FIG. 6 is a top view thereof; and,  
FIG. 7 is a bottom view thereof.  
The portions of the device shown in broken lines form no  
part of the claimed design.

**1 Claim, 5 Drawing Sheets**











(56)

References Cited

U.S. PATENT DOCUMENTS

2011/0160748 A1 6/2011 Catanese et al.  
 2011/0166564 A1 7/2011 Merrick et al.  
 2011/0178543 A1 7/2011 Chin et al.  
 2011/0190758 A1 8/2011 Lamson et al.  
 2011/0196298 A1 8/2011 Anderson et al.  
 2011/0196355 A1 8/2011 Mitchell et al.  
 2011/0208207 A1 8/2011 Bowe et al.  
 2011/0213398 A1 9/2011 Chin et al.  
 2011/0218528 A1 9/2011 Ogata et al.  
 2011/0238078 A1 9/2011 Goode et al.  
 2011/0238102 A1 9/2011 Gutfinger et al.  
 2011/0245751 A1 10/2011 Hofmann  
 2011/0257592 A1 10/2011 Ventura et al.  
 2011/0270169 A1 11/2011 Gardeski et al.  
 2011/0270170 A1 11/2011 Gardeski et al.  
 2011/0270289 A1 11/2011 To et al.  
 2011/0300010 A1 12/2011 Jarnagin et al.  
 2011/0301417 A1 12/2011 Mourlas et al.  
 2011/0301626 A1 12/2011 To et al.  
 2012/0029278 A1 2/2012 Sato et al.  
 2012/0035590 A1 2/2012 Whiting et al.  
 2012/0041422 A1 2/2012 Whiting et al.  
 2012/0053564 A1 3/2012 Ravenscroft  
 2012/0065659 A1 3/2012 To  
 2012/0083810 A1 4/2012 Escudero et al.  
 2012/0083826 A1 4/2012 Chao et al.  
 2012/0095447 A1 4/2012 Fojtik  
 2012/0095479 A1 4/2012 Bowe et al.  
 2012/0097174 A1 4/2012 Spotnitz et al.  
 2012/0123411 A1 5/2012 Ibrahim et al.  
 2012/0136341 A1 5/2012 Appling et al.  
 2012/0165827 A1 6/2012 Khairkahan et al.  
 2012/0165861 A1 6/2012 Palmer et al.  
 2012/0191015 A1 7/2012 Zannis et al.  
 2012/0209173 A1 8/2012 Hayase et al.  
 2012/0215305 A1 8/2012 Le et al.  
 2012/0239008 A1 9/2012 Fojtik  
 2012/0245600 A1 9/2012 McLean et al.  
 2012/0253229 A1 10/2012 Cage  
 2012/0265183 A1 10/2012 Tulleken et al.  
 2012/0323252 A1 12/2012 Booker  
 2012/0323253 A1 12/2012 Garai et al.  
 2012/0330292 A1 12/2012 Shaddock et al.  
 2013/0006228 A1 1/2013 Johnson et al.  
 2013/0035676 A1 2/2013 Mitchell et al.  
 2013/0096582 A1 4/2013 Cheng et al.  
 2013/0103047 A1 4/2013 Steingisser et al.  
 2015/0105796 A1 4/2015 Grace  
 2015/0196297 A1\* 7/2015 (Prommersberger)  
 Stopek ..... A61B 17/07207  
 227/178.1  
 2015/0305744 A1\* 10/2015 Moore ..... A61B 17/072  
 227/180.1

FOREIGN PATENT DOCUMENTS

WO 9117711 A1 11/1991  
 WO 9533513 A1 12/1995  
 WO 9907295 A1 2/1999  
 WO 9949937 A1 10/1999  
 WO 9958066 A1 11/1999  
 WO 0176680 A1 10/2001  
 WO 0249690 A9 5/2003  
 WO 2004049956 A2 6/2004  
 WO 2004080345 A2 9/2004  
 WO 2004080507 A2 9/2004  
 WO 2006007410 A2 1/2006  
 WO 2008005888 A2 1/2008  
 WO 2008005891 A2 1/2008  
 WO 2008042987 A2 4/2008  
 WO 2009005779 A1 1/2009  
 WO 2009054968 A1 4/2009  
 WO 2009065082 A1 5/2009  
 WO 2009126309 A2 10/2009

WO 2011003113 A1 1/2011  
 WO 2011084863 A2 7/2011  
 WO 2011133941 A2 10/2011  
 WO 2011162595 A1 12/2011  
 WO 2012009697 A4 4/2012  
 WO 2012098335 A1 7/2012  
 WO 2012114333 A1 8/2012  
 WO 2012177117 A1 12/2012  
 WO 2013036588 A1 3/2013  
 WO 2014151814 A1 9/2014

OTHER PUBLICATIONS

International Search Report and Written Opinion issued for PCT/US2014/026496 mailed Jul. 30, 2014 16 Pages.  
 International Search Report and Written Opinion issued in PCT/US2015/016899, mailed May 1, 2015.  
 International Search Report and Written Opinion issued in PCT/US2015/018305, mailed May 28, 2015, 14 pages.  
 U.S. Appl. No. 14/725,781 entitled Surgical Instrument for Removing an Implanted Object, filed May 29, 2015.  
 "Horizon Scanning Technology Prioritising Summary: Laser lead extraction systems," Australia and New Zealand Horizon Scanning Network, Aug. 2010, 15 pages.  
 Decision to Grant for European Patent Application No. 07255018.9, dated Aug. 8, 2013, 2 pages.  
 EP extended Search Report mailed Oct. 21, 2009; Application No. 07255019.7, 8 pages.  
 Extended European Search Report for European Application No. 07255018.9, dated Nov. 12, 2010.  
 Final Action for U.S. Appl. No. 11/615,005, mailed Nov. 9, 2009, 10 pages.  
 Final Action for U.S. Appl. No. 11/615,005, mailed Nov. 21, 2013, 20 pages.  
 Intent to Grant for European Patent Application No. 07255018.9, dated Nov. 29, 2012, 7 pages.  
 International Search Report and Written Opinion for International Patent Application No. PCT/US2013/059434, dated Dec. 13, 2013, 14 pages.  
 International Search Report and Written Opinion issued in PCT/US2014/021167 mailed Jun. 26, 2014, 19 pages.  
 International Search Report and Written Opinion issued in PCT/US2014/026496 mailed Jul. 30, 2014, 16 pages.  
 International Search Report and Written Opinion issued in PCT/US2015/016899, mailed May 1, 2015, 14 pages.  
 Notice of Allowance for European Patent Application No. 07255018.9, dated Jul. 26, 2012, 47 pages.  
 Notice for Allowance for Japan Patent Application No. 2007-333273, mailed Jan. 16, 2014, 3 pages.  
 Official Action for European Patent Application No. 07255018.9, dated Jul. 19, 2011, 3 pages.  
 Official Action for U.S. Appl. No. 11/615,005, mailed Apr. 16, 2009, 13 pages.  
 Official Action for U.S. Appl. No. 11/615,005, mailed Feb. 11, 2011, 12 pages.  
 Official Action for U.S. Appl. No. 11/615,005, mailed Jul. 21, 2010, 10 pages.  
 Official Action for U.S. Appl. No. 11/615,005, mailed Mar. 14, 2013, 16 pages.  
 Official Action for U.S. Appl. No. 13/800,728, mailed Jan. 16, 2014, 14 pages.  
 Official Action with English translation for Japan Patent Application No. 2007-333173, mailed Apr. 30, 2013, 5 pages.  
 Official Action with English translation for Japan Patent Application No. 2007-333173, mailed Aug. 13, 2012, 7 pages.  
 Official Action with English translation for Japan Patent Application No. 2007-333273, mailed Jul. 30, 2012, 7 pages.  
 Official Action with English translation for Japan Patent Application No. 2007-333273, mailed Jun. 6, 2013, 10 pages.  
 PCT App. PCT/US2015/016899 entitled Medical Device for Removing an Implanted Object filed Feb. 20, 2015.  
 PCT App. PCT/US2015/018305 entitled Multiple Configuration Surgical Cutting Device filed Mar. 2, 2015.

(56)

**References Cited**

OTHER PUBLICATIONS

U.S. Appl. No. 13/800,651, Hendrick et al., filed Mar. 13, 2013, 69 pages.  
U.S. Appl. No. 13/800,675, Hendrick et al., filed Mar. 13, 2013, 68 pages.  
U.S. Appl. No. 13/800,700, Hendrick et al., filed Mar. 13, 2013, 68 pages.  
U.S. Appl. No. 13/800,728, Hendrick et al., filed Mar. 13, 2013, 68 pages.  
U.S. Appl. No. 13/828,231, Bowe et al., filed Mar. 14, 2013, 89 pages.  
U.S. Appl. No. 13/828,310, Bowe et al., filed Mar. 14, 2013, 90 pages.  
U.S. Appl. No. 13/828,383, Bowe et al., filed Mar. 14, 2013, 86 pages.  
U.S. Appl. No. 13/828,441, Bowe et al., filed Mar. 14, 2013, 86 pages.  
U.S. Appl. No. 13/828,536, Hendrick et al., filed Mar. 14, 2013, 41 pages.  
U.S. Appl. No. 13/828,638, Fiser, filed Mar. 14, 2013, 52 pages.  
U.S. Appl. No. 13/834,405, Grace et al., filed Mar. 15, 2013, 79 pages.  
U.S. Appl. No. 29/519,258, filed Mar. 3, 2015.

U.S. Appl. No. 14/577,976, entitled Surgical Instrument Including an Inwardly Deflecting Cutting Tip for Removing an Implanted Object filed Dec. 19, 2014.  
U.S. Appl. No. 14/589,688 entitled Retractable Separating Systems and Methods filed Jan. 5, 2015.  
U.S. Appl. No. 14/627,851, entitled Medical Device for Removing an Implanted Object filed Feb. 20, 2015.  
U.S. Appl. No. 14/627,950, entitled Medical Device for Removing an Implanted Object filed Feb. 20, 2015.  
U.S. Appl. No. 14/635,742 entitled Multiple Configuration Surgical Cutting Device filed Mar. 2, 2015.  
U.S. Appl. No. 61/793,597 entitled Surgical Instrument for Removing an Implanted Object filed Mar. 15, 2013.  
U.S. Appl. No. 61/987,993 entitled Dual Mode Mechanical Catheter Cutting System filed May 2, 2014.  
U.S. Appl. No. 62/005,315 entitled Surgical Instrument for Removing an Implanted Object filed May 30, 2014.  
U.S. Appl. No. 62/058,790 entitled Medical Device for Removing an Implanted Object filed Oct. 2, 2014.  
U.S. Appl. No. 62/094,808 entitled Multiple Configuration Surgical Cutting Device filed Dec. 19, 2014.  
U.S. Appl. No. 62/113,865 entitled Medical Device for Removing an Implanted Object filed Feb. 9, 2015.  
U.S. Appl. No. 29/575,820 entitled Medical Device Handle, filed Aug. 29, 2016.

\* cited by examiner

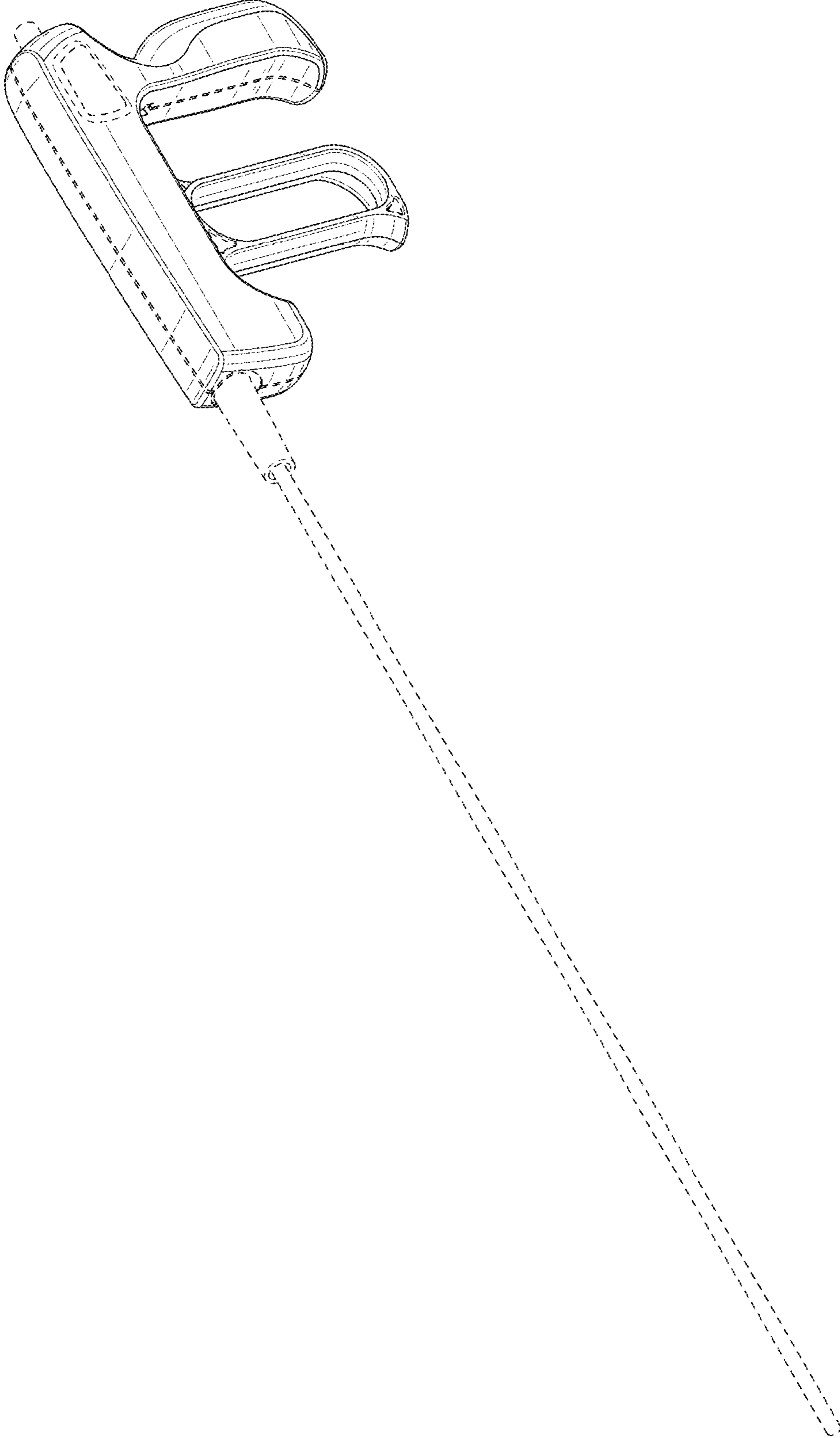


FIG. 1



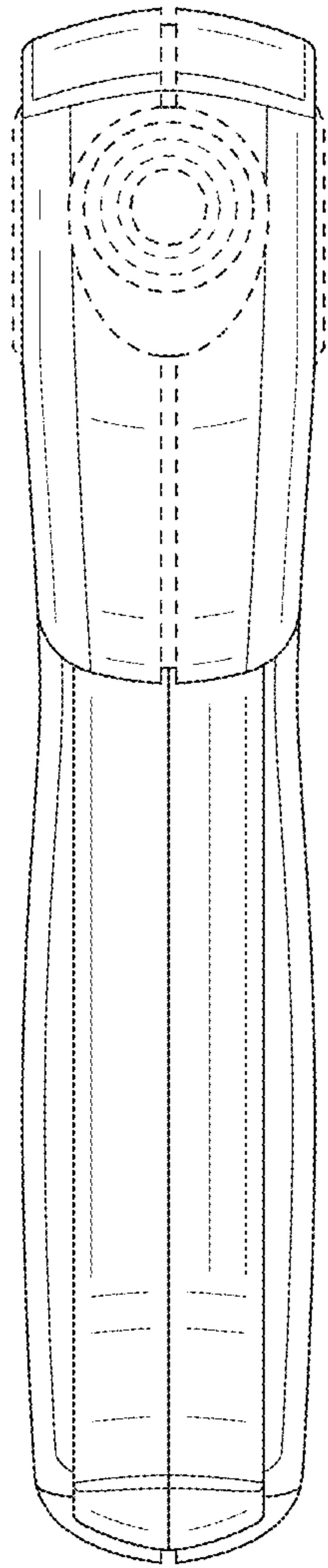


FIG. 2

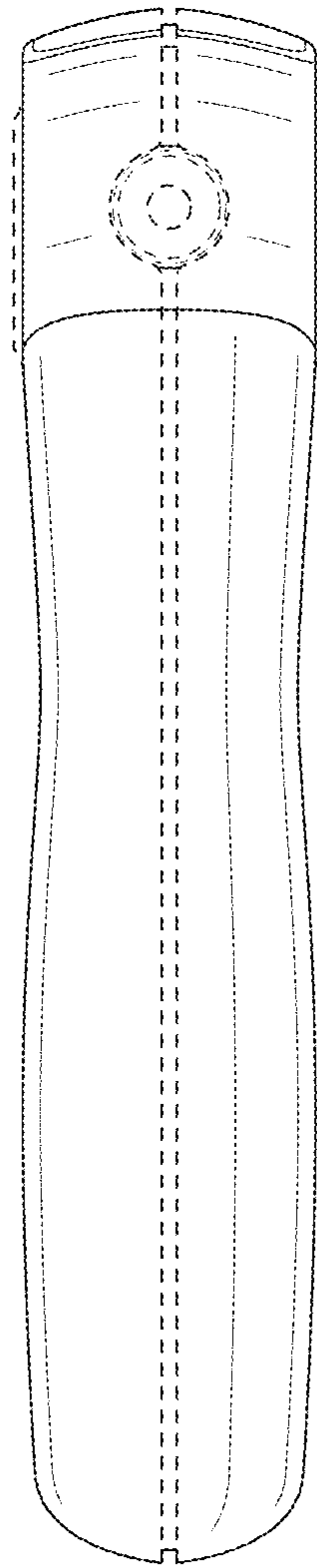


FIG. 3

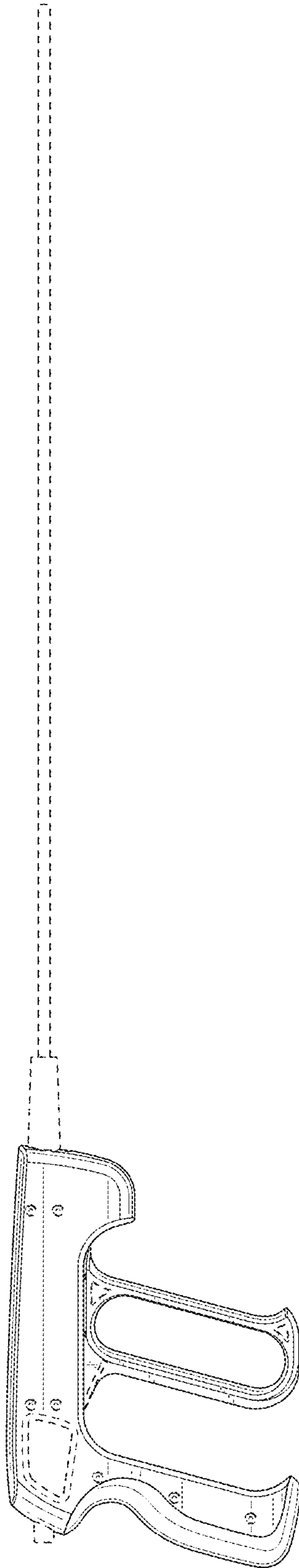


FIG. 4

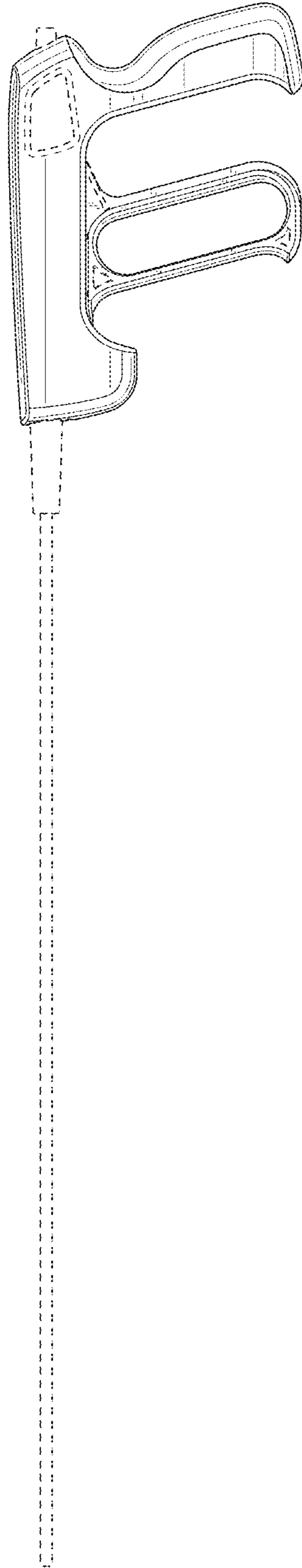


FIG. 5

REPLACEMENT SHEET

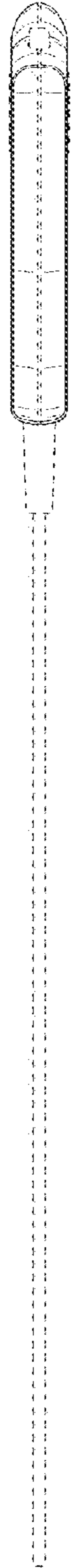


FIG. 6



FIG. 7