



US00D770615S

(12) **United States Design Patent**
Chauvette

(10) **Patent No.:** **US D770,615 S**

(45) **Date of Patent:** **** Nov. 1, 2016**

(54) **CONNECTOR**

(71) Applicant: **Conmed Corporation**, Utica, NY (US)

(72) Inventor: **Guillaume Chauvette**, Victoriaville, CA (US)

(73) Assignee: **Conmed Corporation**, Utica, NY (US)

(**) Term: **15 Years**

(21) Appl. No.: **29/540,765**

(22) Filed: **Sep. 28, 2015**

(51) **LOC (10) Cl.** **24-01**

(52) **U.S. Cl.**
USPC **D24/129**

(58) **Field of Classification Search**
USPC D24/127-131, 112-114, 133, 186;
606/181, 185; 604/264, 272, 115, 232,
604/187, 158, 164.08, 192, 263, 163, 181,
604/184, 198, 227; 600/101, 139, 143;
128/200.24, 207.14, 207.15
CPC A61G 13/124; A61G 13/1245; A61G
13/1235; A61G 7/0755
See application file for complete search history.

(56) **References Cited**

U.S. PATENT DOCUMENTS

D303,710 S *	9/1989	Neill	D23/262
D372,960 S *	8/1996	Allmon	D23/260
D430,293 S *	8/2000	Jansen	D24/129
D431,864 S *	10/2000	Jansen	D24/129
D435,652 S *	12/2000	Nazarifar	D23/262
D593,674 S *	6/2009	Fedenia	D24/108

D670,553 S *	11/2012	Mahaffey	D8/330
D675,729 S *	2/2013	Wang	D24/108
D714,935 S *	10/2014	Nishioka	D24/130
D717,948 S *	11/2014	Strong	D24/130
2006/0287664 A1 *	12/2006	Grage, Jr.	A61B 5/1411 606/181
2013/0247904 A1 *	9/2013	Porat	A61M 39/08 128/200.24
2013/0281942 A1 *	10/2013	Teucher	A61M 5/347 604/241

* cited by examiner

Primary Examiner — David Muller

Assistant Examiner — Nathan Johnston

(74) *Attorney, Agent, or Firm* — David L. Nocilly;
Frederick J. M. Price; Bond, Schoeneck & King, PLLC

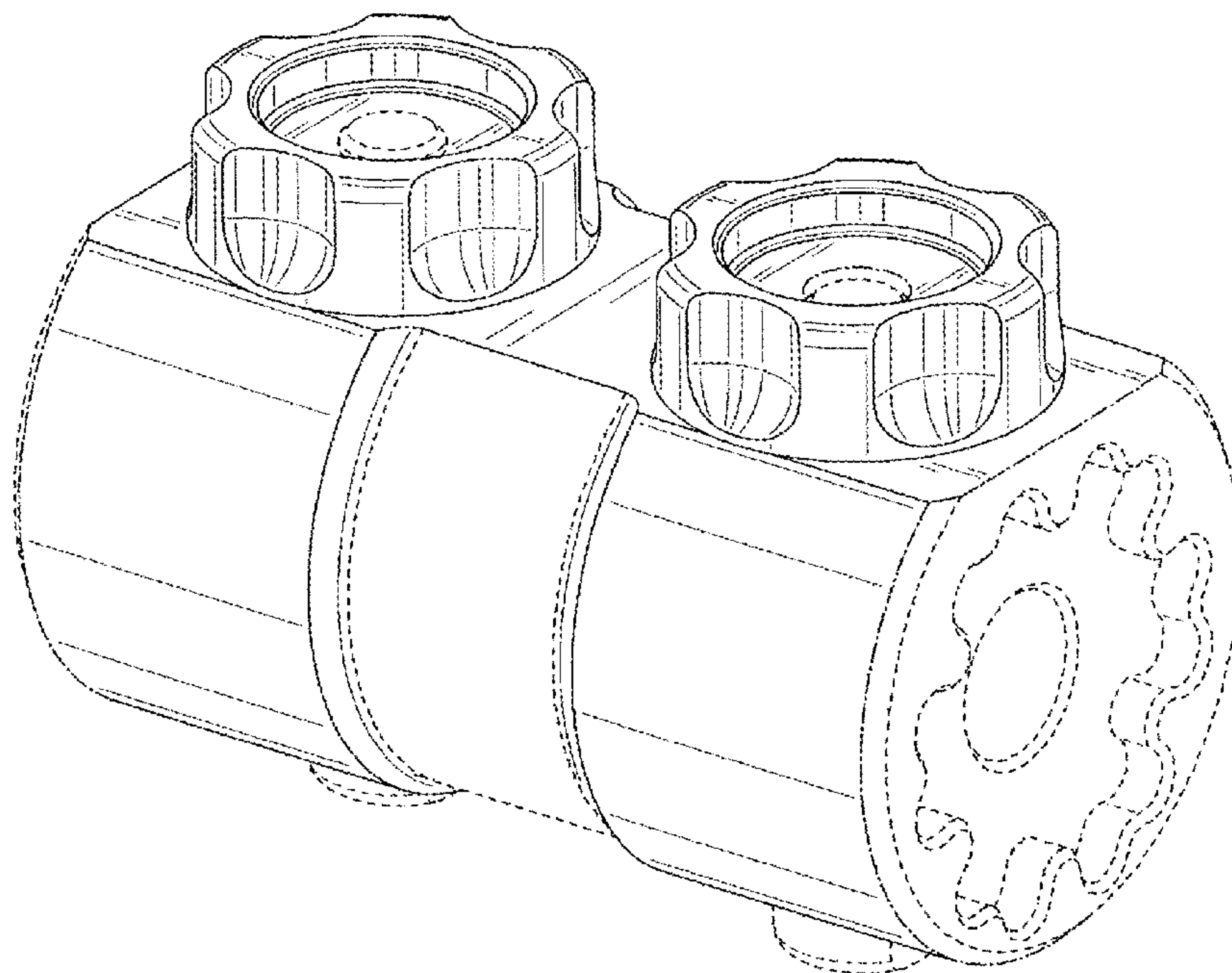
(57) **CLAIM**

The ornamental design for a connector, as shown and described.

DESCRIPTION

FIG. 1 is a perspective view taken from a top, front, left side of a connector;
FIG. 2 is a front elevation view thereof;
FIG. 3 is a rear elevation view thereof;
FIG. 4 is a left side elevation view thereof;
FIG. 5 is a right side elevation view thereof;
FIG. 6 is a top plan view thereof; and,
FIG. 7 is a bottom plan view thereof.
The dash dot lines immediately adjacent to the shaded areas in the views represent the boundaries of the claimed design. The dashed lines in the figures illustrate the portions of the design that form no part of the claimed design. None of the broken lines form any part of the claimed design.

1 Claim, 7 Drawing Sheets



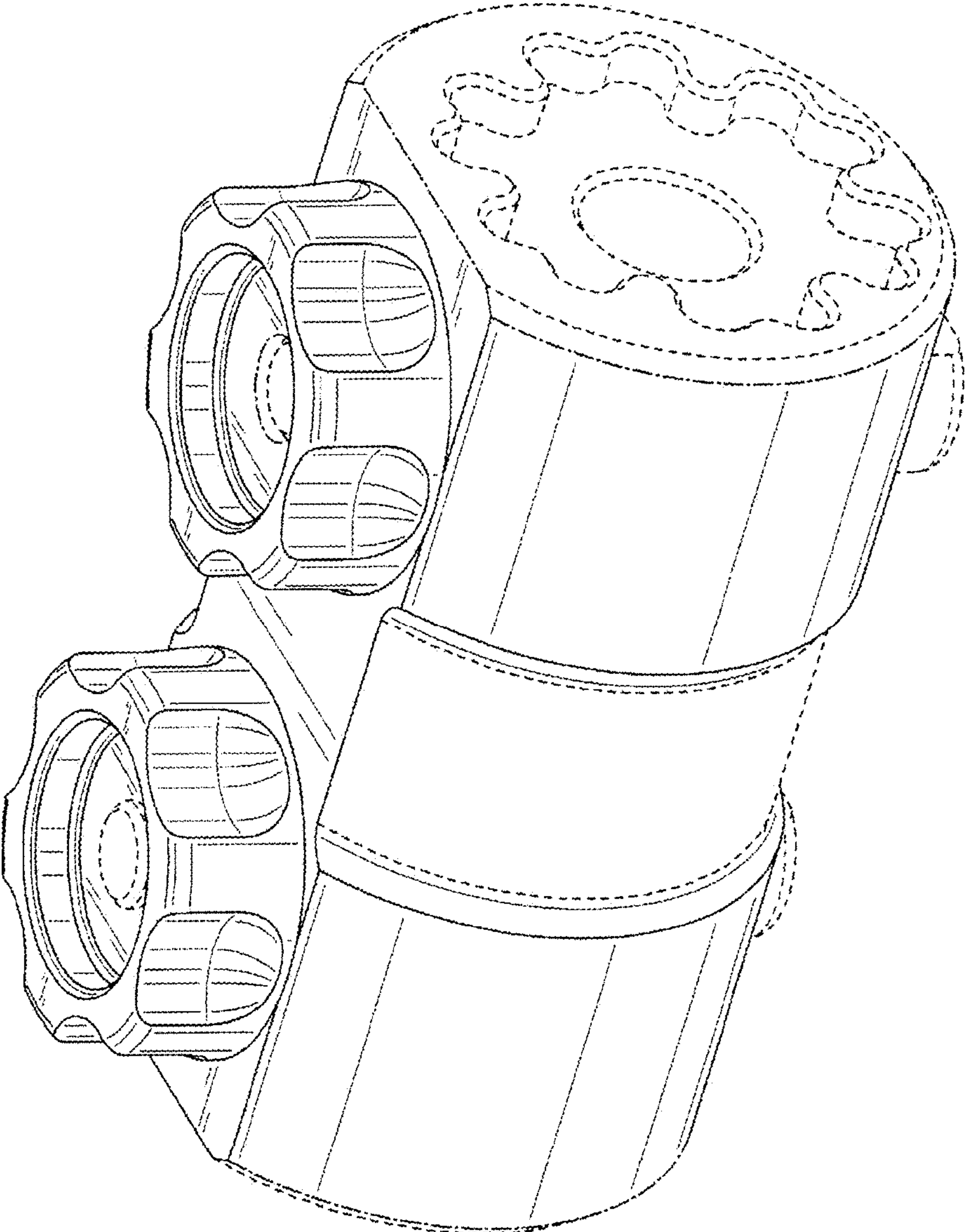


FIG. 1

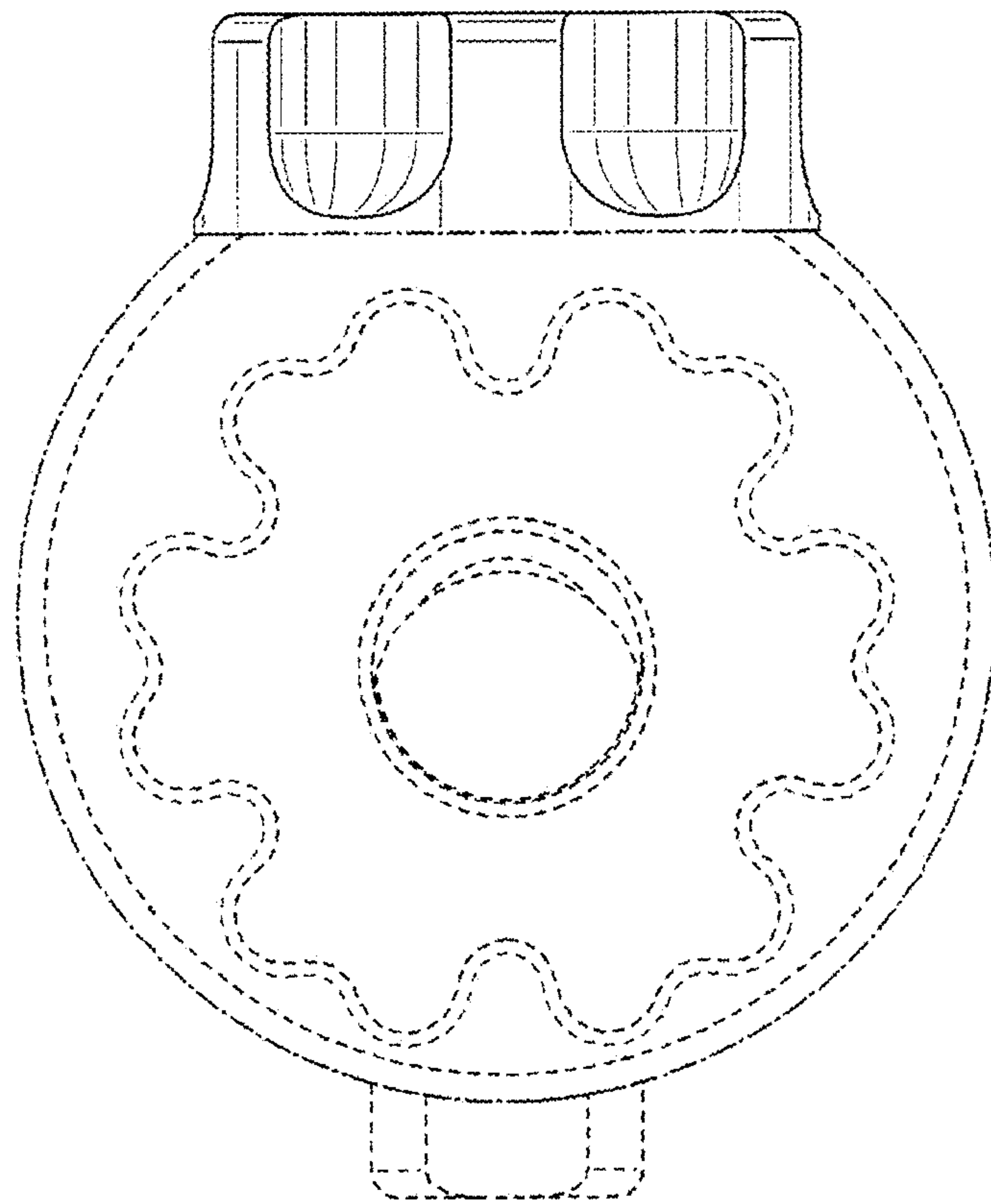


FIG. 2

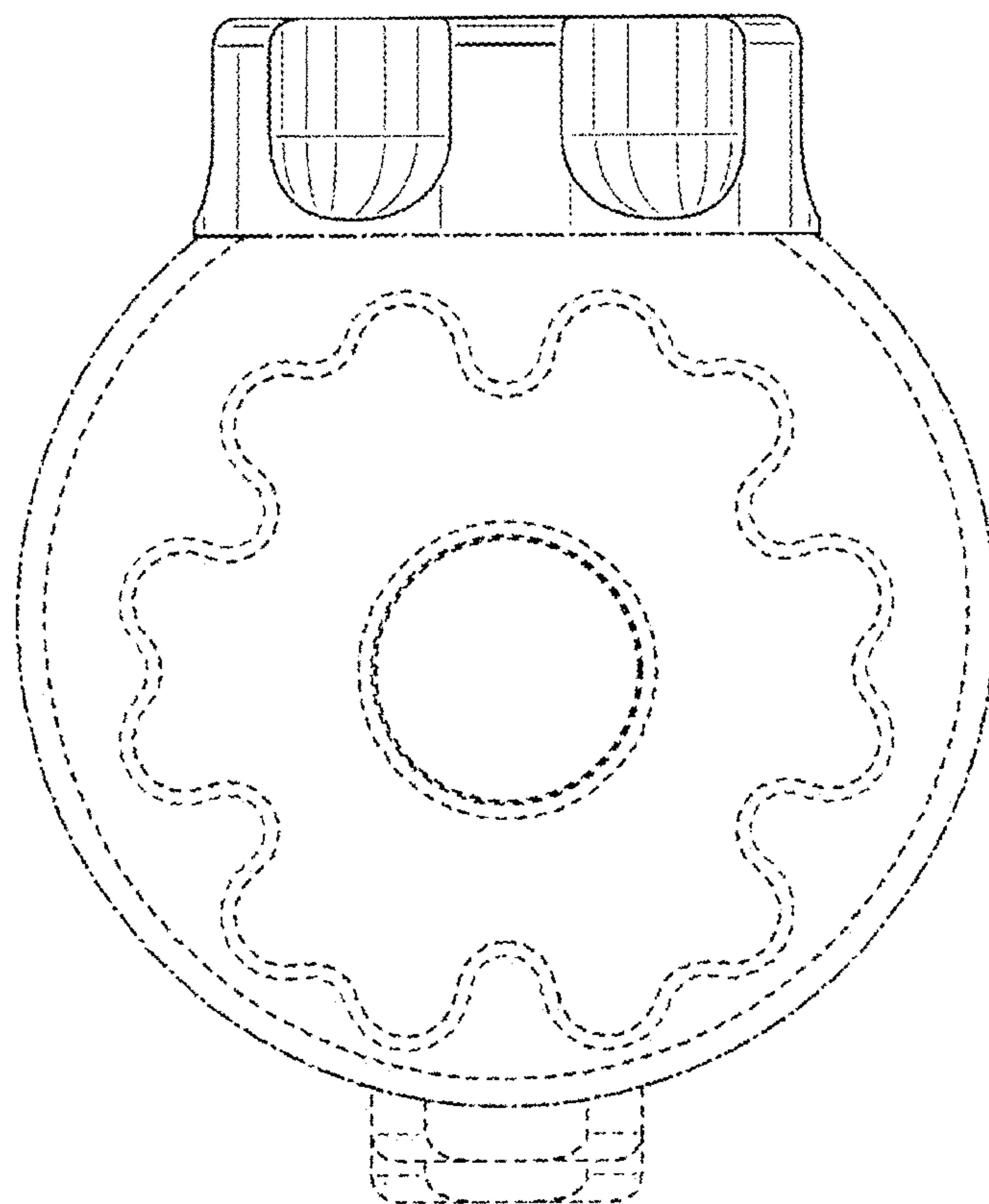


FIG. 3

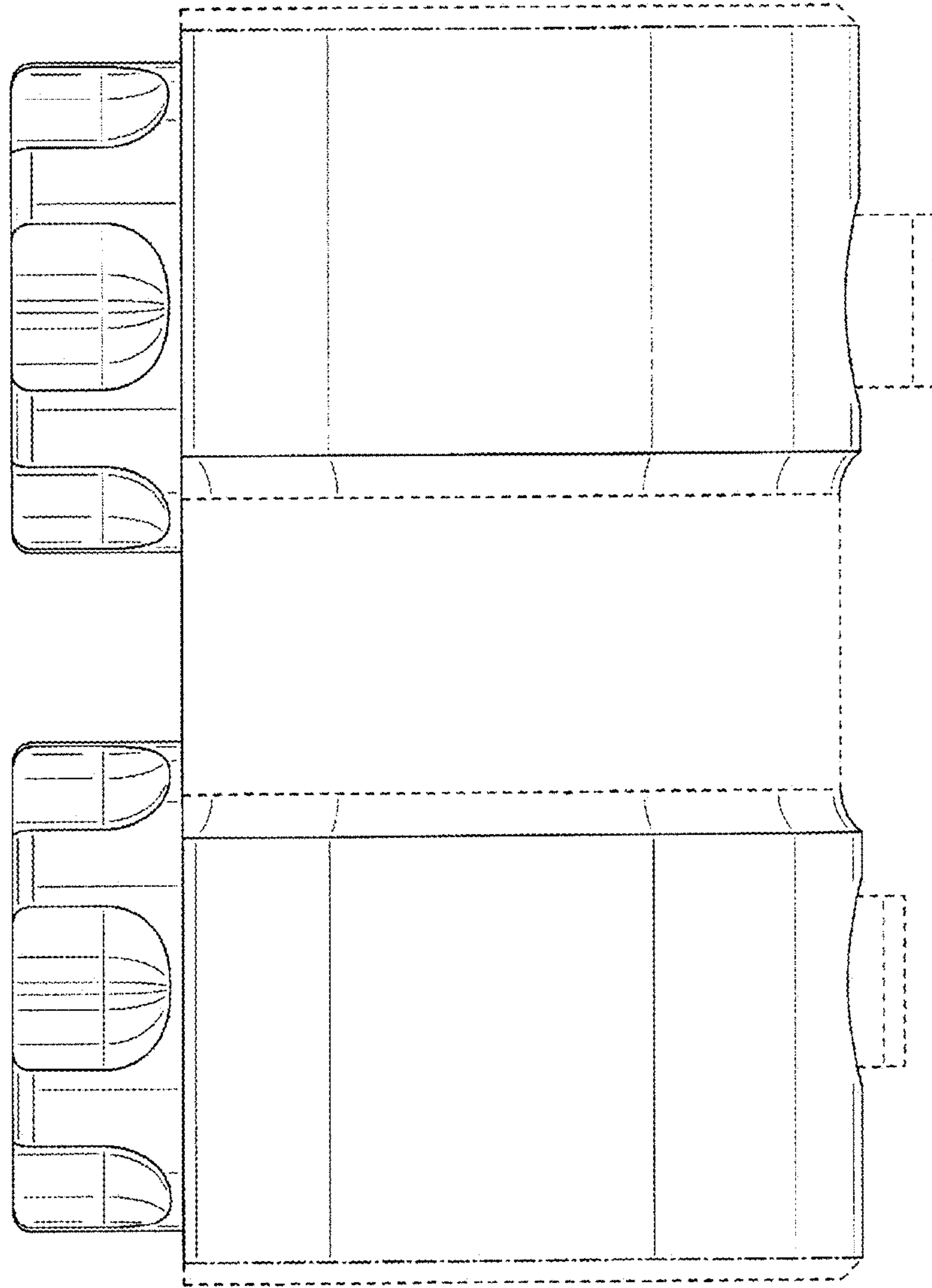


FIG. 4

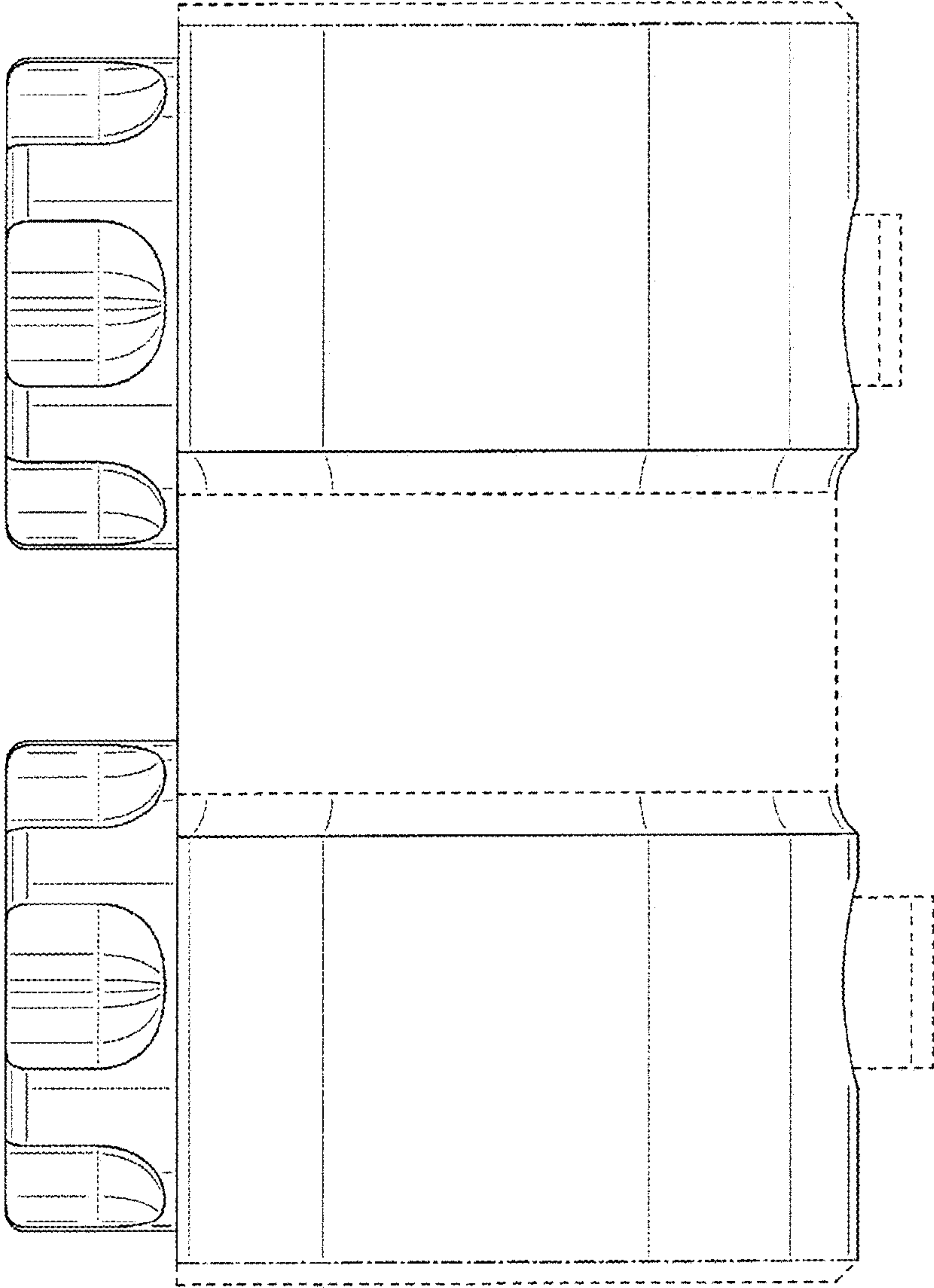


FIG. 5

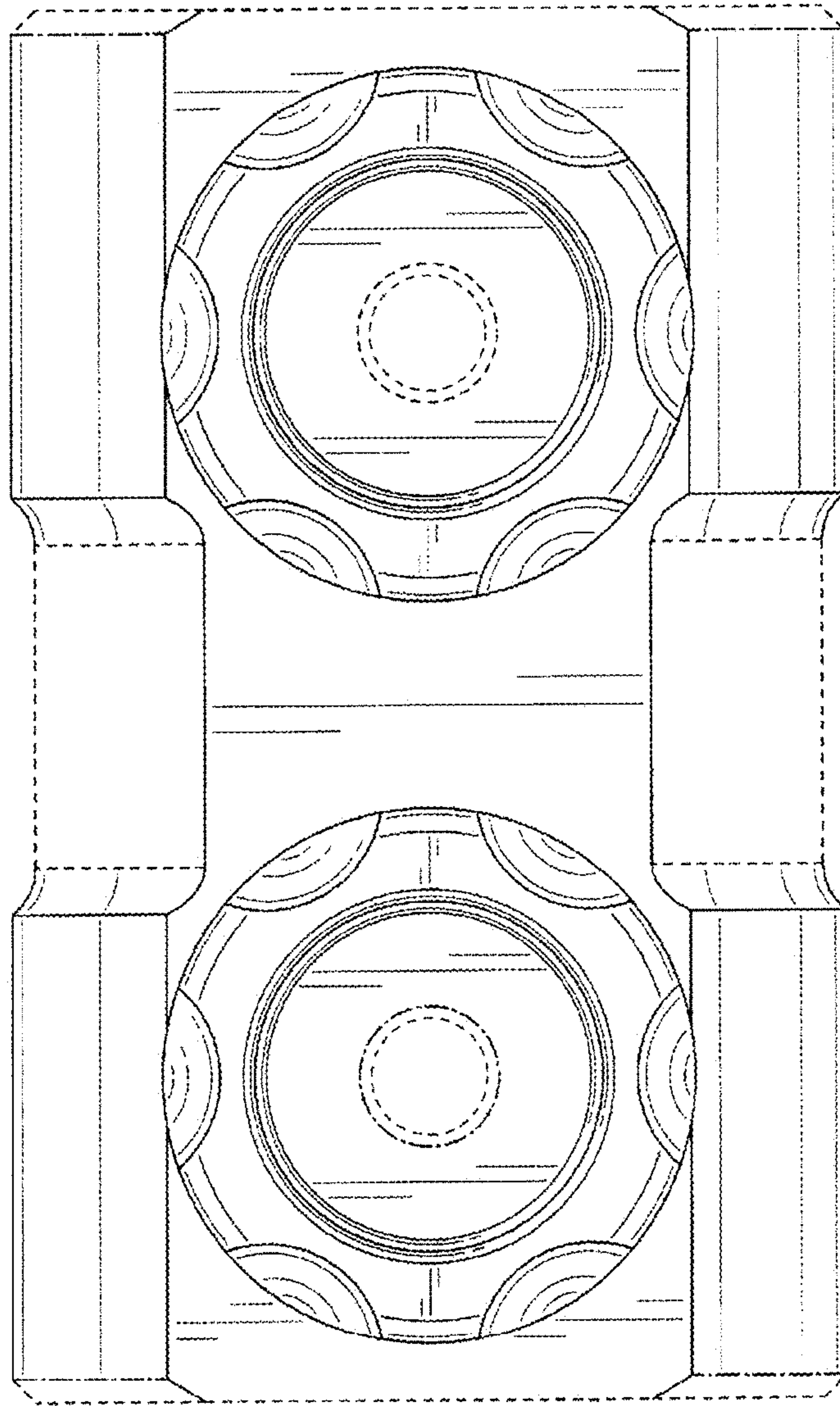


FIG. 6

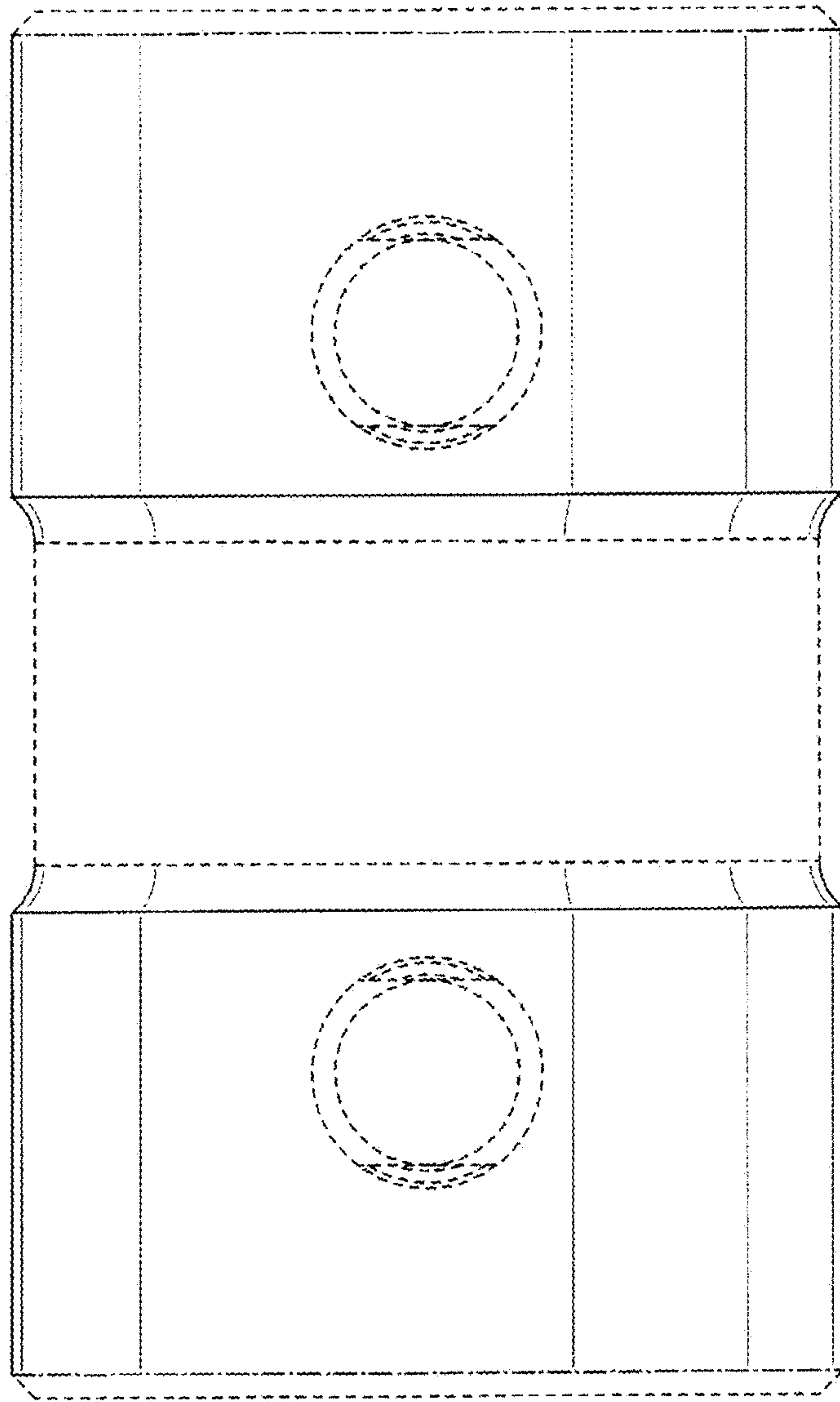


FIG. 7