



US00D770614S

(12) **United States Design Patent**
Solomon et al.

(10) **Patent No.:** **US D770,614 S**
(45) **Date of Patent:** **** Nov. 1, 2016**

(54) **CAPPING SYSTEM FOR USE WITH ONE OR MORE MEDICAL CONNECTORS**

CPC A61M 25/065; A61M 5/42; A61M 25/0612; A61M 25/00; A61M 39/00; A61M 27/00; A61M 25/0043

(71) Applicant: **Catheter Connections, Inc.**, Salt Lake City, UT (US)

See application file for complete search history.

(72) Inventors: **Donald D. Solomon**, North Salt Lake, UT (US); **F. Mark Ferguson**, Salt Lake City, UT (US); **Steven Bandis**, West Jordan, UT (US); **James V. Mercer**, West Jordan, UT (US); **Michael W Howlett**, Salt Lake City, UT (US); **Robert Hitchcock**, Sandy, UT (US)

(56) **References Cited**

U.S. PATENT DOCUMENTS

1,868,200	A *	7/1932	Freedman	A45D 40/06 132/320
D303,631	S *	9/1989	Demarest	D28/7
D310,542	S *	9/1990	Regnault	D19/166
D333,788	S *	3/1993	Geschwender	D9/435
D340,112	S *	10/1993	Zeman	D24/112
D341,227	S *	11/1993	Lang	D28/76
D456,668	S *	5/2002	Tse	D7/387
D468,015	S *	12/2002	Horppu	D24/129

(Continued)

Primary Examiner — David Muller

(74) *Attorney, Agent, or Firm* — Sunstein Kann Murphy & Timbers LLP

(**) Term: **14 Years**

(21) Appl. No.: **29/475,931**

(22) Filed: **Dec. 9, 2013**

(57) **CLAIM**

The ornamental design for a capping system for use with one or more medical connectors, as shown and described.

Related U.S. Application Data

DESCRIPTION

(63) Continuation of application No. 29/383,403, filed on Jan. 17, 2011, now Pat. No. Des. 695,398, which is a continuation-in-part of application No. 12/610,141, filed on Oct. 30, 2009, now Pat. No. 8,172,825, and a continuation-in-part of application No. 12/917,336, filed on Nov. 1, 2010, now Pat. No. 8,523,830.

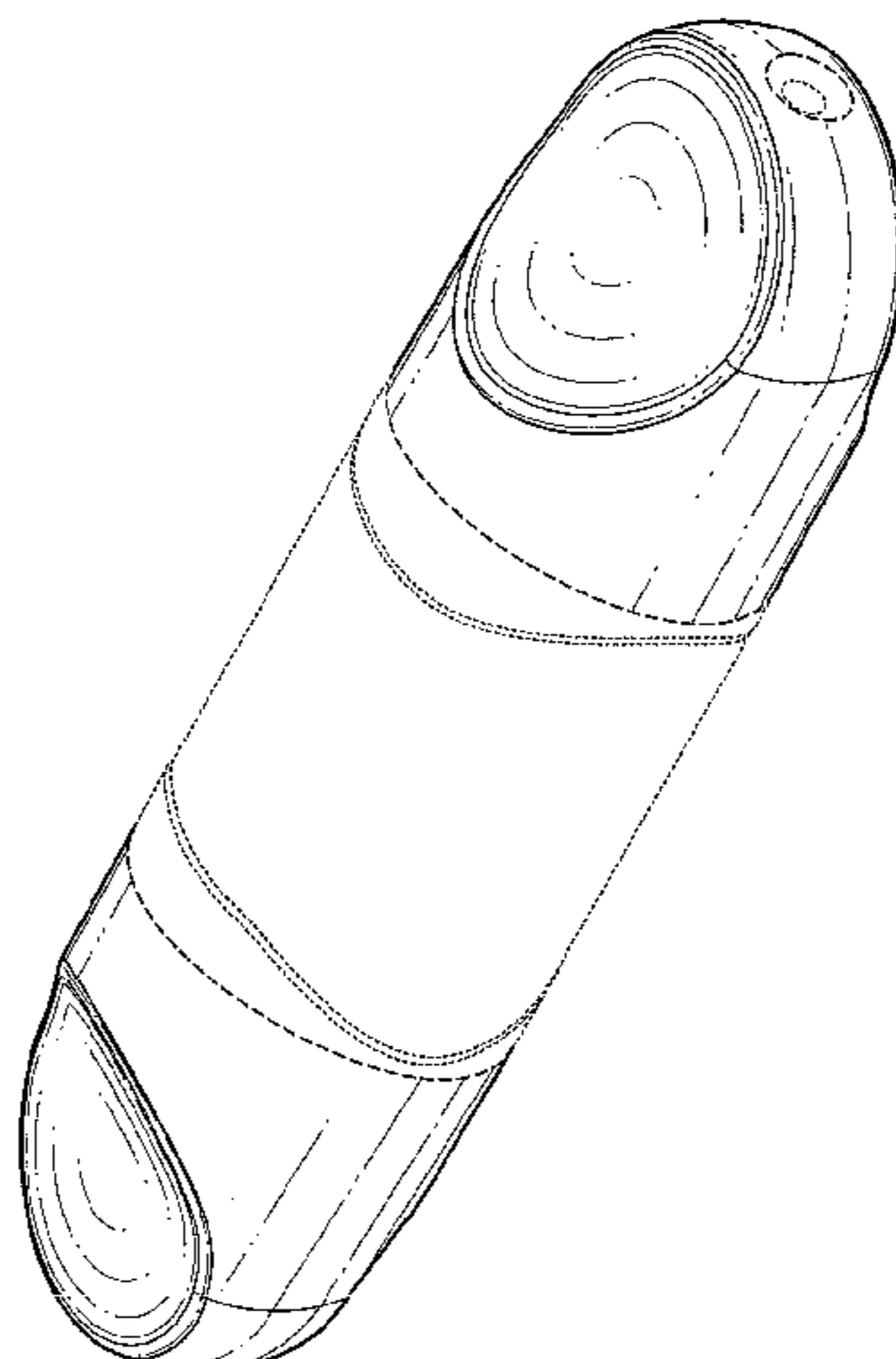
FIG. 1 is a perspective view of an embodiment of a capping system for use with one or more medical connectors; FIG. 2 is a top plan view thereof, wherein a bottom plan view thereof is identical to that shown in FIG. 2; FIG. 3 is a right side elevation view thereof, wherein a left side elevation view thereof is identical to that shown in FIG. 3; and, FIG. 4 is a rear elevation view thereof, wherein a front elevation view thereof is identical to that shown in FIG. 4. The broken lines immediately adjacent the shaded areas represent the bounds of the claimed design, while all other broken lines are directed to environment and are for illustrative purposes only; the broken lines form no part of the claimed design.

(51) **LOC (10) Cl.** **24-02**

(52) **U.S. Cl.**
USPC **D24/129**

(58) **Field of Classification Search**
USPC D24/127-131, 110-110.5, 112-114, D24/133, 186, 147; 606/181, 185; 604/232, 604/187, 158, 164.08, 192, 263, 163, 181, 604/184, 198, 227, 80, 191; 600/101, 139, 600/143; 128/200.24, 207.14, 207.15; D8/396; 137/118.04; D9/435, 504; D19/46, 57

1 Claim, 2 Drawing Sheets



US D770,614 S

Page 2

(56)

References Cited

U.S. PATENT DOCUMENTS

D470,888 S *	2/2003	Kuboshima	D19/66	
D545,964 S *	7/2007	Blanco	D24/129	* cited by examiner
D573,643 S *	7/2008	Brigham	D19/121	
D632,574 S *	2/2011	Huntington	D9/443	
D639,421 S *	6/2011	Sano	D24/118	

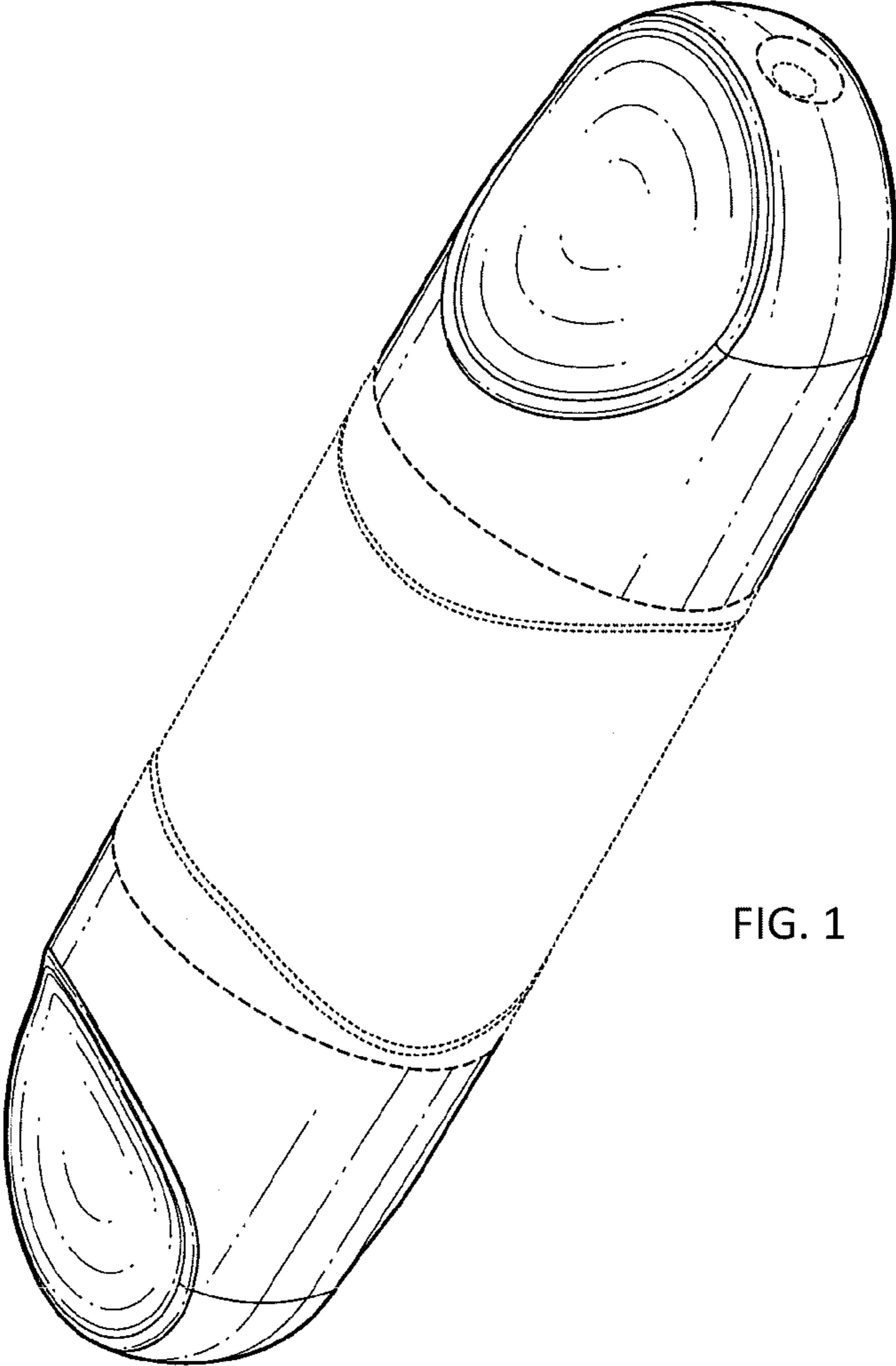


FIG. 1

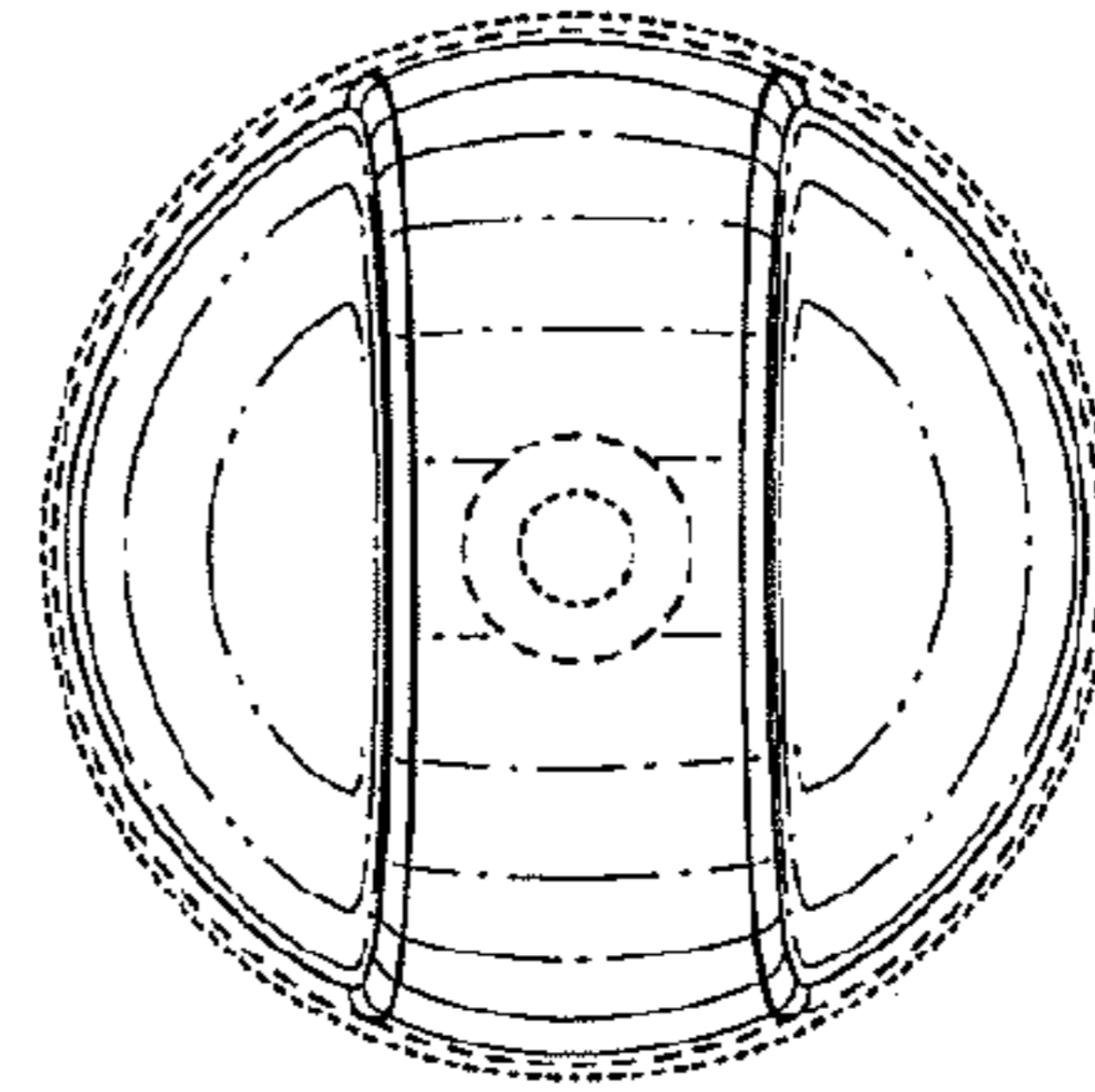


FIG. 4

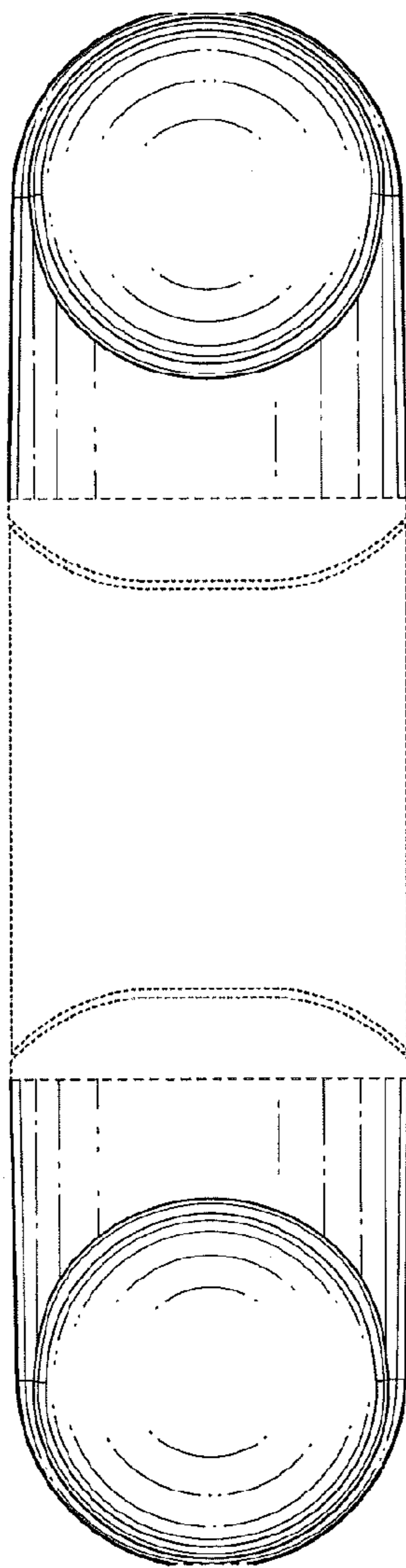


FIG. 2

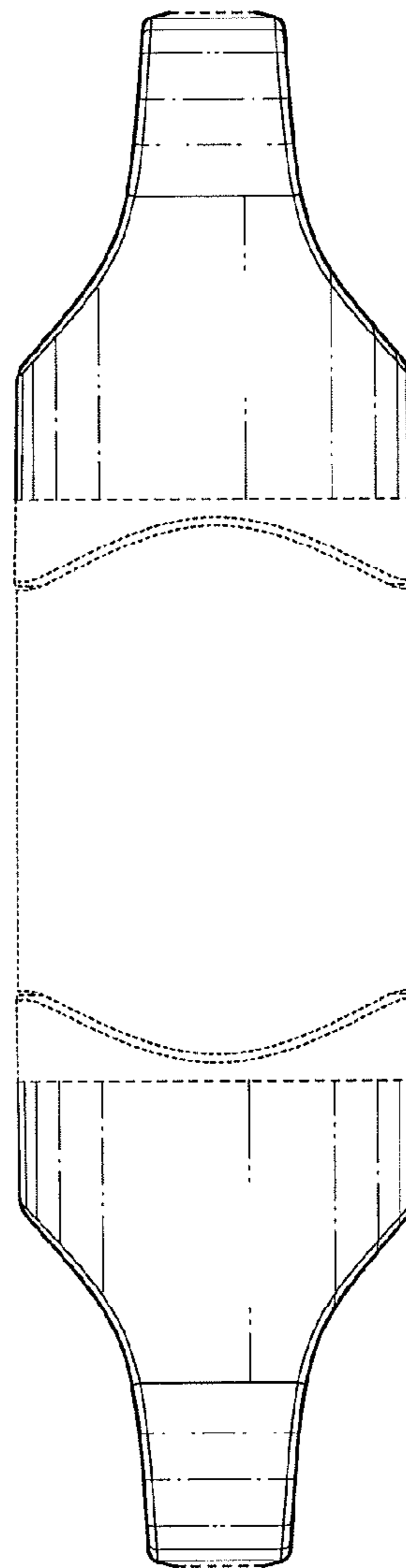


FIG. 3