



US00D770613S

(12) **United States Design Patent** (10) **Patent No.:** **US D770,613 S**
Roberts (45) **Date of Patent:** **** Nov. 1, 2016**

(54) **FEMALE URINATION DEVICE**
(71) Applicant: **Ursula Roberts**, Horton, AL (US)
(72) Inventor: **Ursula Roberts**, Horton, AL (US)
(**) Term: **15 Years**
(21) Appl. No.: **29/545,884**
(22) Filed: **Nov. 17, 2015**
(51) **LOC (10) Cl.** **24-04**
(52) **U.S. Cl.**
USPC **D24/122**
(58) **Field of Classification Search**
USPC D24/121-123, 117, 224; D23/276, 295,
D23/302, 274, 309, 200; 4/450-460,
4/144.1-144.4, DIG. 5; 600/573, 574;
604/329, 317, 318, 334
CPC A61G 9/00; A61G 9/006
See application file for complete search history.

6,547,771 B2 4/2003 Robertson
6,719,741 B2 4/2004 Chng
D499,180 S * 11/2004 Best D24/122
D571,460 S * 6/2008 Korjack D24/123
D577,435 S * 9/2008 Ivie D24/122
D650,902 S 12/2011 Lopez, Jr.
D680,644 S * 4/2013 Newman D24/122
D747,469 S * 1/2016 Jones D24/122
2008/0034481 A1 2/2008 Cheng
2009/0056003 A1 3/2009 Ivie
2011/0030130 A1 2/2011 Stein
2011/0172620 A1 7/2011 Khambatta
2012/0210502 A1 8/2012 Baham
2013/0239311 A1 9/2013 Valenti

FOREIGN PATENT DOCUMENTS

WO WO2013103291 10/2013

* cited by examiner

Primary Examiner — David Muller

(57) **CLAIM**
I claim the ornamental design for a female urination device,
as shown and described.

(56) **References Cited**

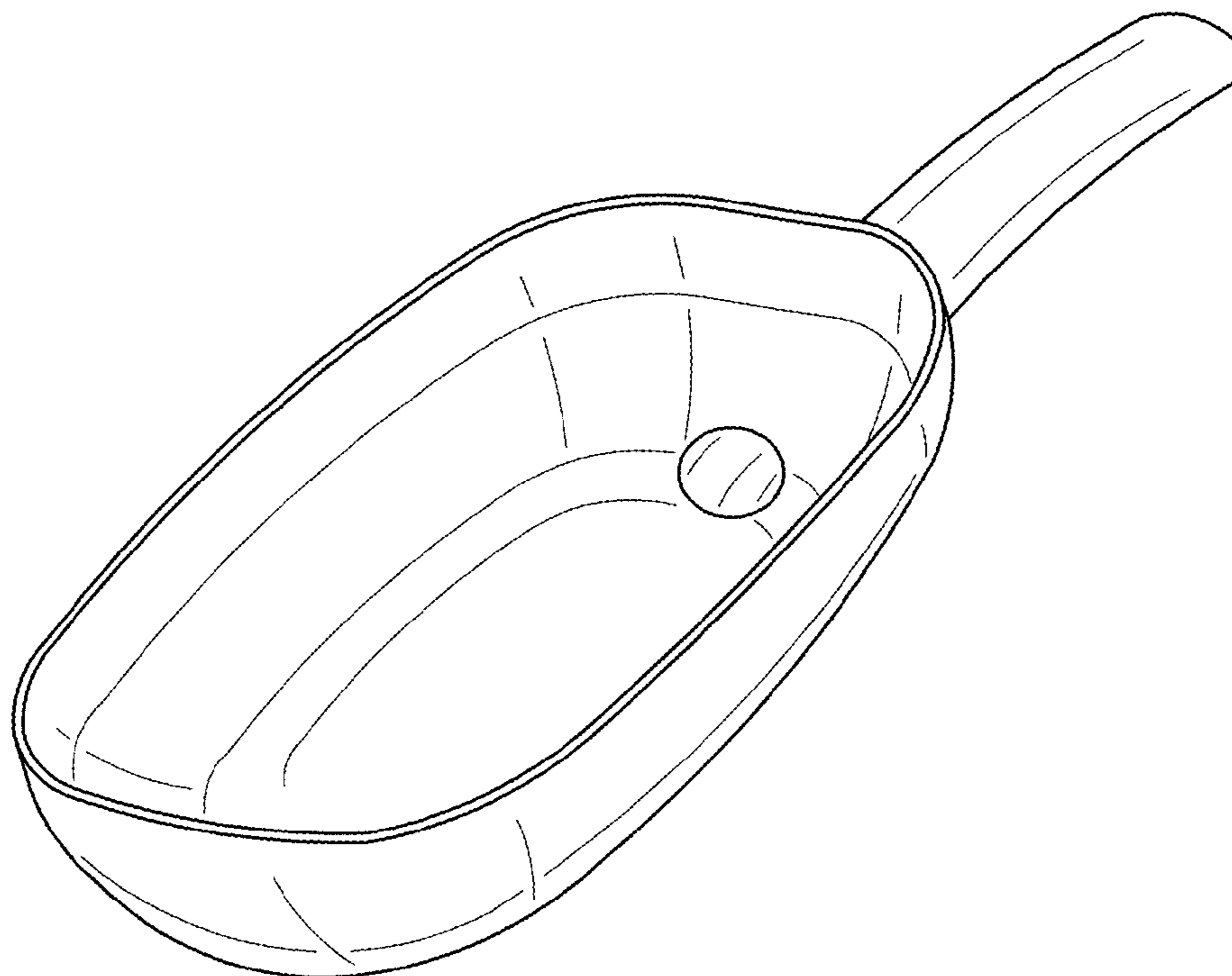
U.S. PATENT DOCUMENTS

3,625,654 A * 12/1971 Van Duyne A61B 10/007
206/813
D343,447 S * 1/1994 Thaler D23/295
D356,865 S * 3/1995 Ivie D24/121
D363,987 S * 11/1995 Hollifield D24/122
D371,601 S * 7/1996 Markles D24/122
5,894,608 A * 4/1999 Birbara A47K 11/12
4/144.3
D450,118 S * 11/2001 Hyde D24/112
D457,237 S * 5/2002 Azo D24/122

DESCRIPTION

FIG. 1 is a top plan view of the female urination device;
FIG. 2 is a bottom plan view thereof;
FIG. 3 is a side elevation view thereof;
FIG. 4 is a left side elevation view thereof;
FIG. 5 is a right side elevation view thereof; and,
FIG. 6 is a perspective view thereof.

1 Claim, 3 Drawing Sheets



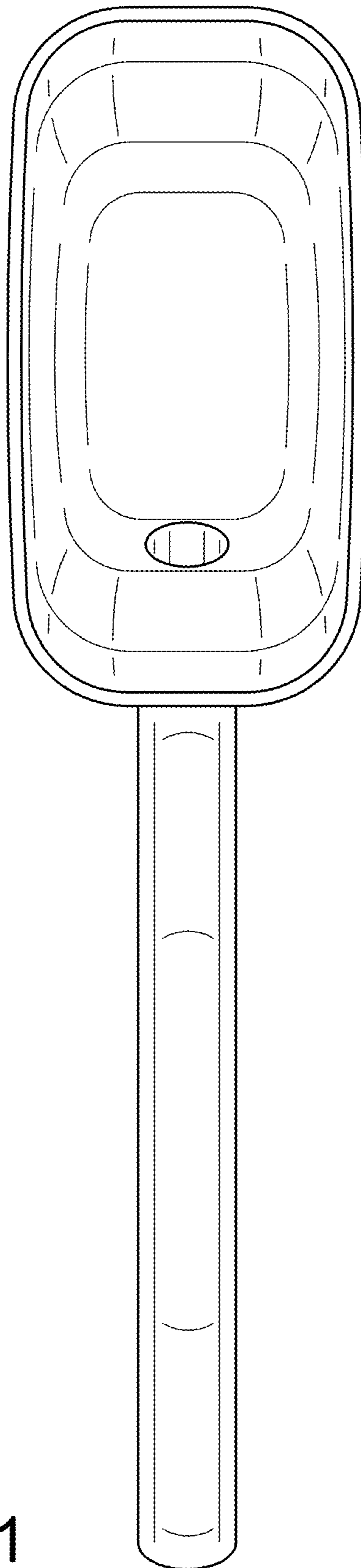


FIG. 1

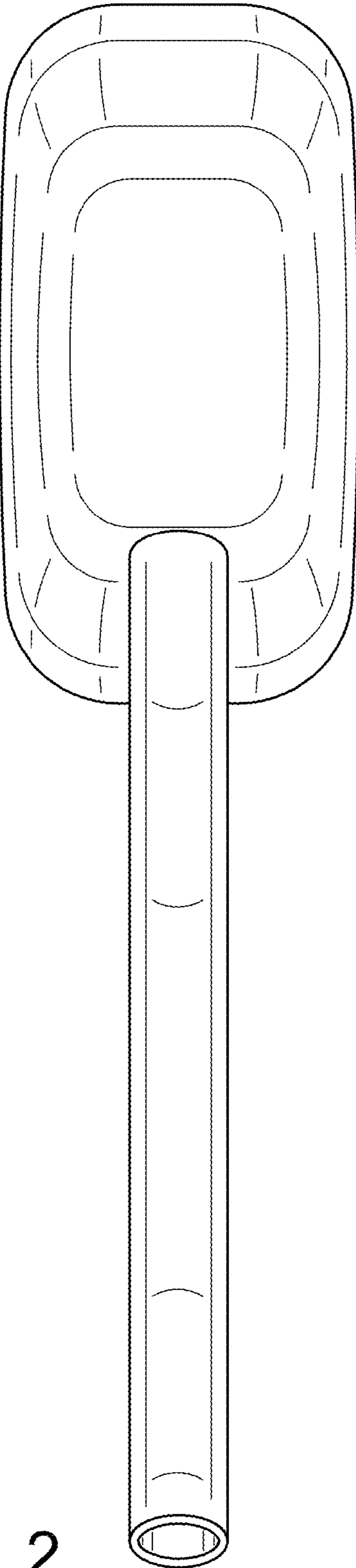


FIG. 2

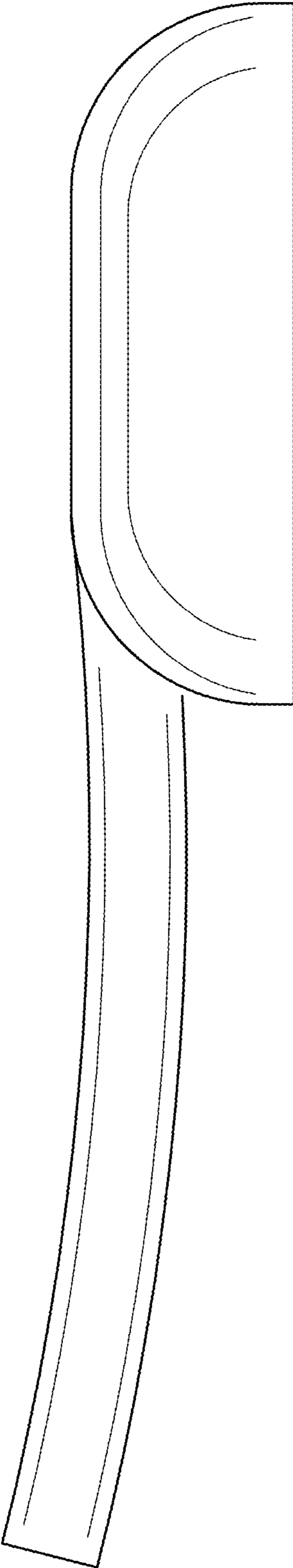


FIG. 3

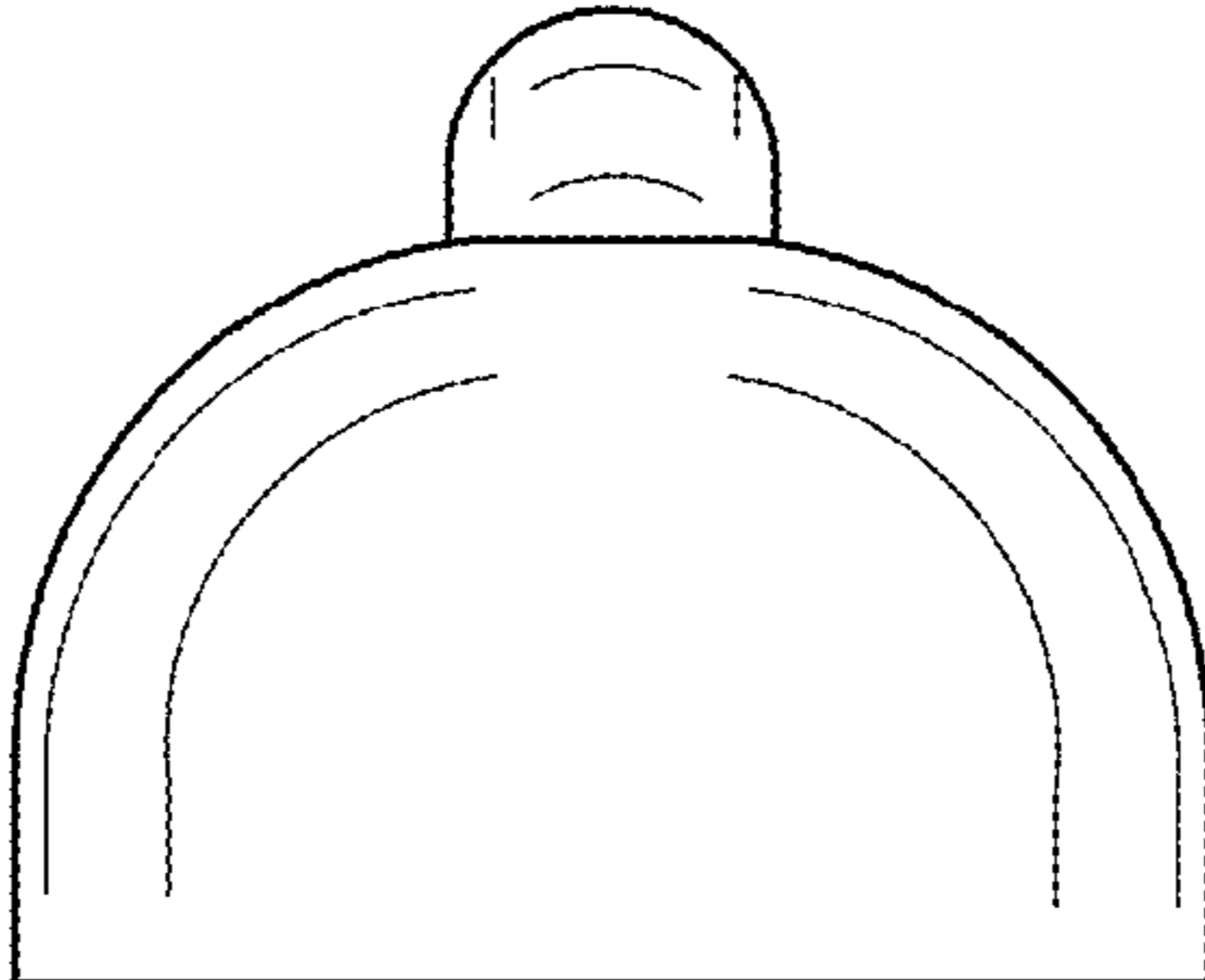


FIG. 4

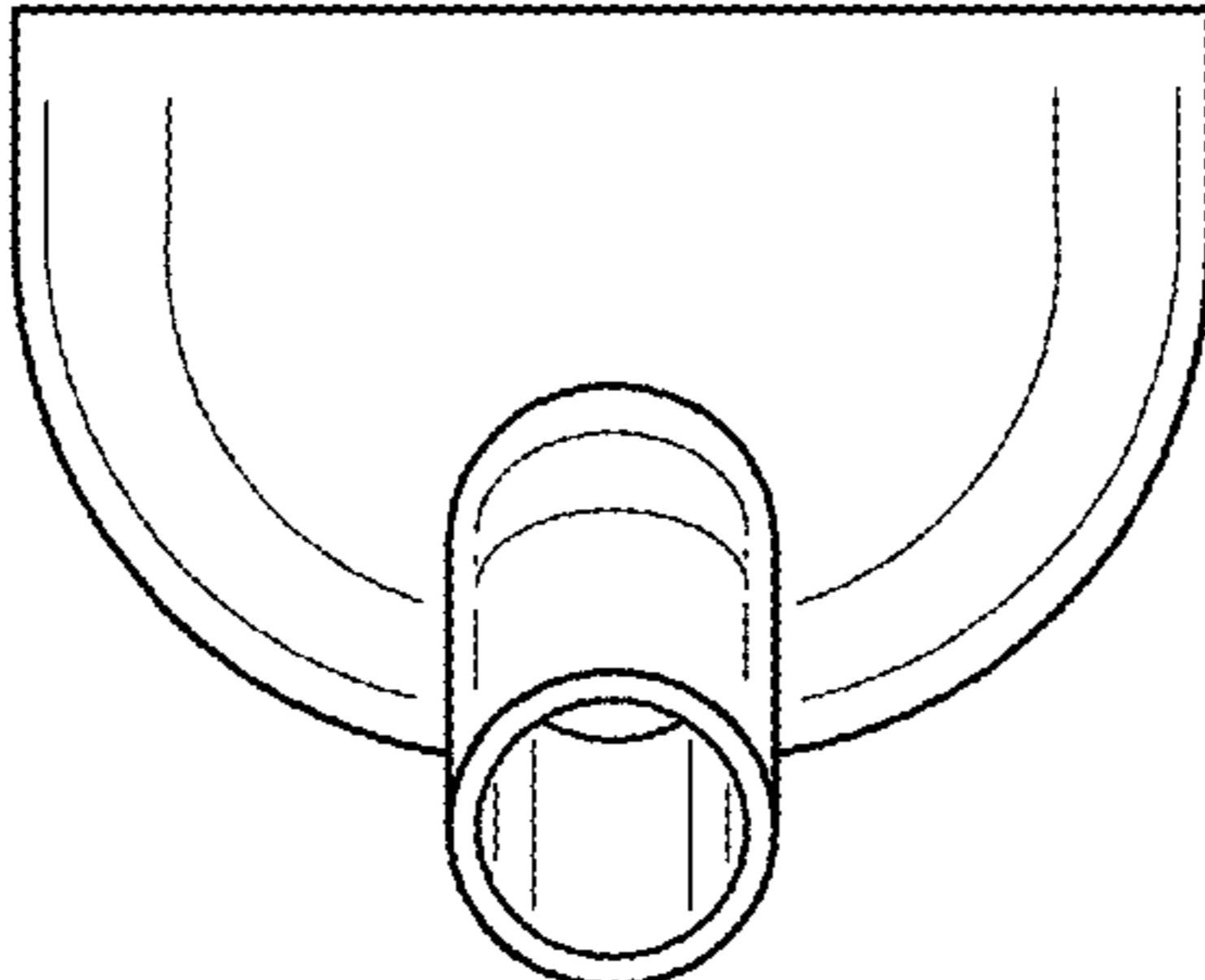


FIG. 5

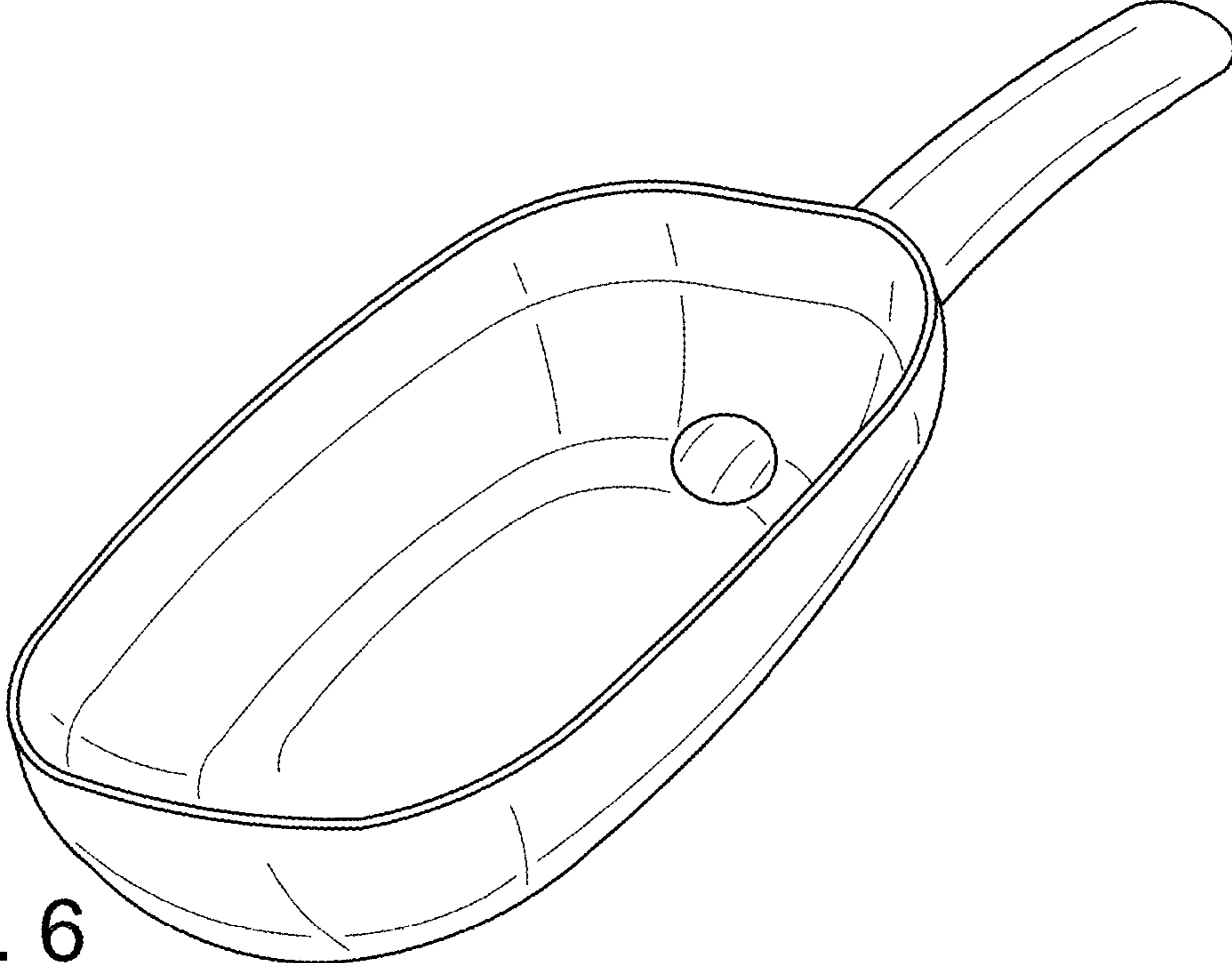


FIG. 6