



US00D770612S

(12) **United States Design Patent** (10) **Patent No.:** **US D770,612 S**  
**Green et al.** (45) **Date of Patent:** **\*\* Nov. 1, 2016**

(54) **SAFETY SYRINGE**

(71) Applicant: **MERCK SHARP & DOHME CORP.**,  
Rahway, NJ (US)

(72) Inventors: **Philip G. Green**, Weehawken, NJ (US);  
**Angela Amend Kwasnik**, Metuchen,  
 NJ (US); **Sharad Gupta**, Madison, NJ  
 (US); **Robert Stianchi**, Hillsborough,  
 NJ (US); **Christin L. O'Neill**,  
 Philadelphia, PA (US); **Witold Swiatek**,  
 Bethlehem, PA (US); **Jiaying Shen**,  
 Basking Ridge, NJ (US); **Emily Sun**,  
 Branchburg, NJ (US); **Cobie Everdell**,  
 San Francisco, CA (US); **Remy**  
**Labesque**, Glen Ellen, CA (US);  
**Francois Dransart**, San Francisco, CA  
 (US); **Steven Friedman**, Walnut Creek,  
 CA (US); **Jennifer Dunnam**, Brooklyn,  
 NY (US); **Christine Lewis**, San  
 Francisco, CA (US); **Amalia Sieber**,  
 Oakland, CA (US)

(73) Assignee: **Merck Sharp & Dohme Corp.**,  
Rahway, NJ (US)

(\*\*) Term: **14 Years**

(21) Appl. No.: **29/511,829**

(22) Filed: **Dec. 15, 2014**

(51) **LOC (10) Cl.** ..... **24-02**

(52) **U.S. Cl.**  
USPC ..... **D24/114**

(58) **Field of Classification Search**  
 USPC ..... D24/112-114, 108, 133, 130, 127, 186;  
 606/181, 185; 604/264, 272, 187, 181,  
 604/184, 227  
 CPC ..... A61M 5/178; A61M 3/00; A61M 5/20;  
 A61M 5/31; A61M 5/3146; A61M 5/3129;  
 A61M 5/3148; A61M 5/315

See application file for complete search history.

(56) **References Cited**

U.S. PATENT DOCUMENTS

D335,344 S \* 5/1993 Hastings ..... D24/114  
 5,968,019 A \* 10/1999 Lee ..... A61M 5/322  
 604/110

(Continued)

OTHER PUBLICATIONS

Abbvie, Humira label, Feb. 23, 2015 (US).

*Primary Examiner* — David Muller

(74) *Attorney, Agent, or Firm* — Gloria Fuentes; Thomas  
A. Triolo

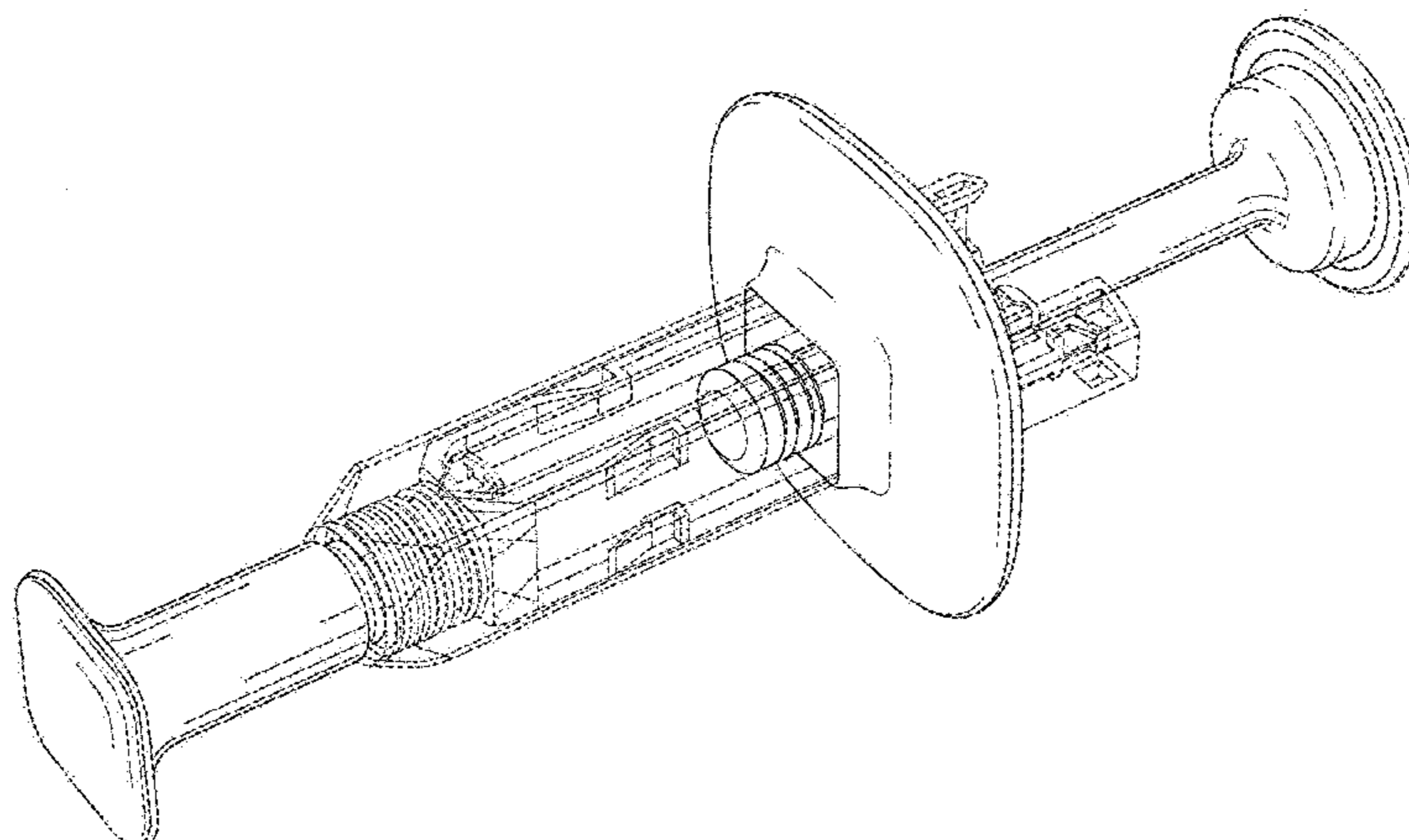
(57) **CLAIM**

The ornamental design for a safety syringe, as shown and  
described.

**DESCRIPTION**

FIG. 1 is a perspective view of a safety syringe with the cap  
attached, showing our new design;  
 FIG. 2 is a front side elevational view thereof, the rear side  
being a mirror image;  
 FIG. 3 is a left side elevational view thereof, the right side  
being a mirror image;  
 FIG. 4 is a top plan view thereof;  
 FIG. 5 is a bottom plan view thereof;  
 FIG. 6 is a perspective view thereof, with the cap removed;  
 FIG. 7 is a front side elevational view thereof, with the cap  
removed, the rear side being a mirror image;  
 FIG. 8 is a left side elevational view thereof, with the cap  
removed, the right side being a mirror image; and,  
 FIG. 9 is a bottom plan view thereof, with the cap removed.  
 FIGS. 1 through 9 depict a single embodiment of the  
 ornamental design. FIGS. 1 through 5 depict the safety  
 syringe with the cap attached. FIGS. 6 through 9 depict the  
 same embodiment of the safety syringe shown in FIGS. 1  
 through 5, except that the cap has been removed, for ease of  
 illustration. The broken line showing of parts of the draw-  
 ings is included for the purpose of illustrating use and  
 environment and forms no part of the claimed design.

**1 Claim, 8 Drawing Sheets**



(56)

**References Cited**

U.S. PATENT DOCUMENTS

7,396,342 B2 \* 7/2008 Wang ..... A61B 5/1444  
600/576  
D578,210 S \* 10/2008 Muta ..... D24/114  
8,092,424 B2 \* 1/2012 Mueller ..... A61M 5/321  
604/110

D673,677 S \* 1/2013 Noda ..... D24/114  
D674,086 S \* 1/2013 Khalaj ..... D24/114  
D709,188 S \* 7/2014 Guala ..... D24/130  
D724,722 S \* 3/2015 Miyano ..... D24/113  
D729,931 S \* 5/2015 Takeuchi ..... D24/114  
D733,870 S \* 7/2015 Broyles ..... D24/114  
D739,524 S \* 9/2015 Zemel ..... D24/114  
D741,476 S \* 10/2015 Hiraoka ..... D24/114

\* cited by examiner

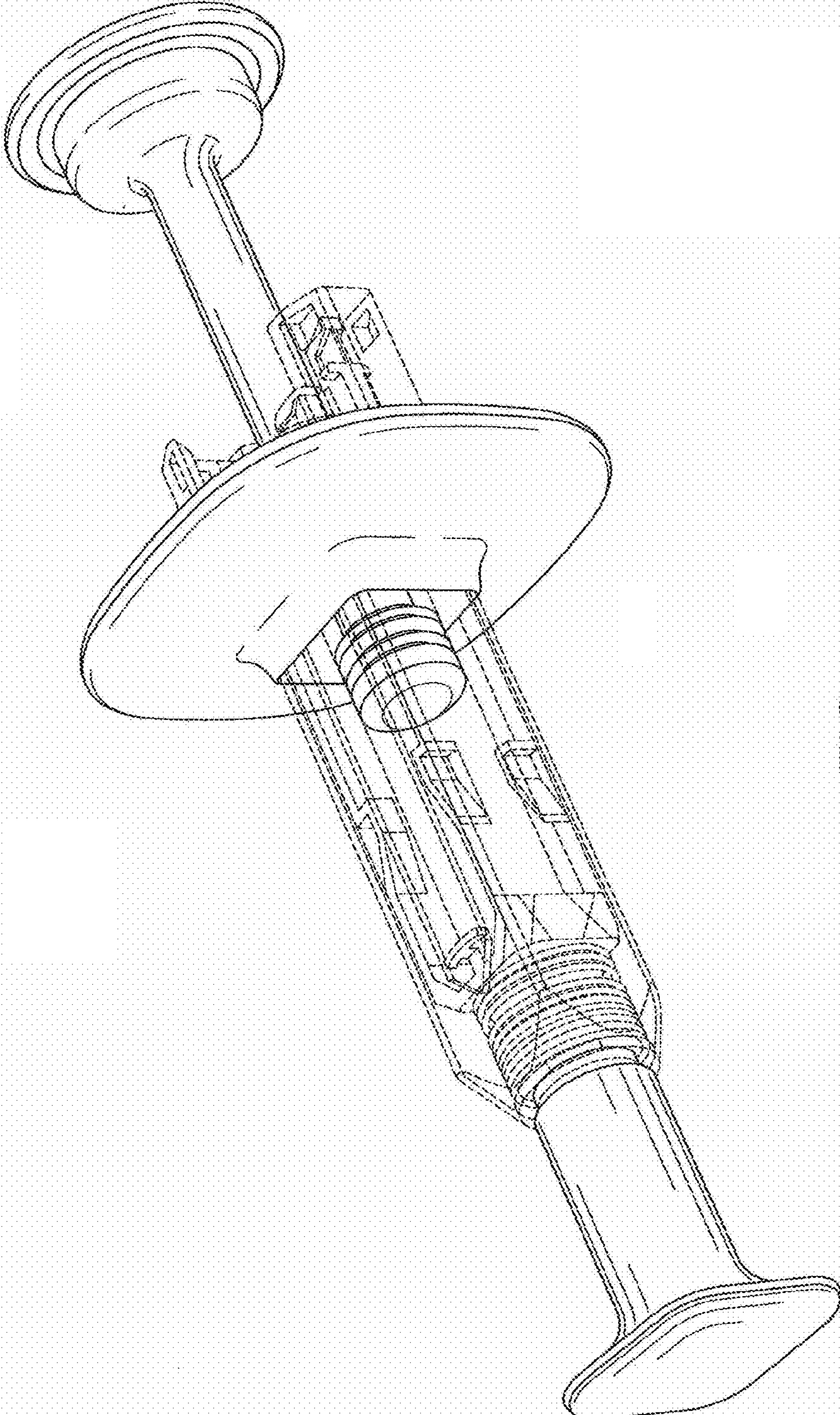


FIG. 1



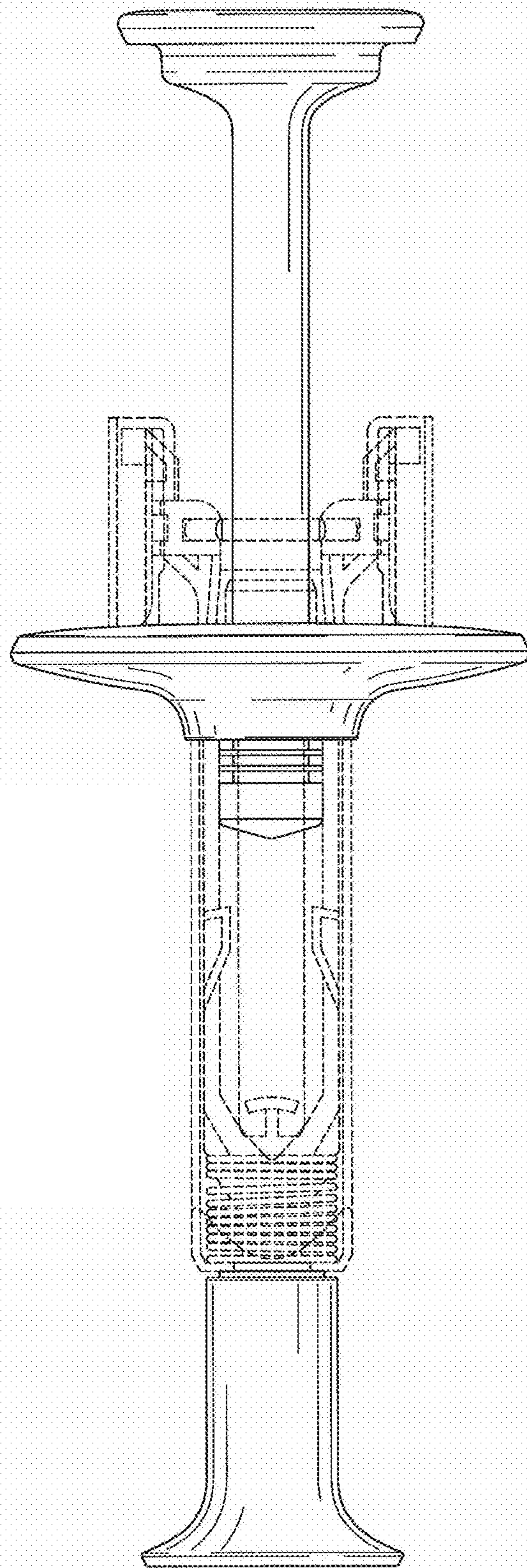


FIG. 2

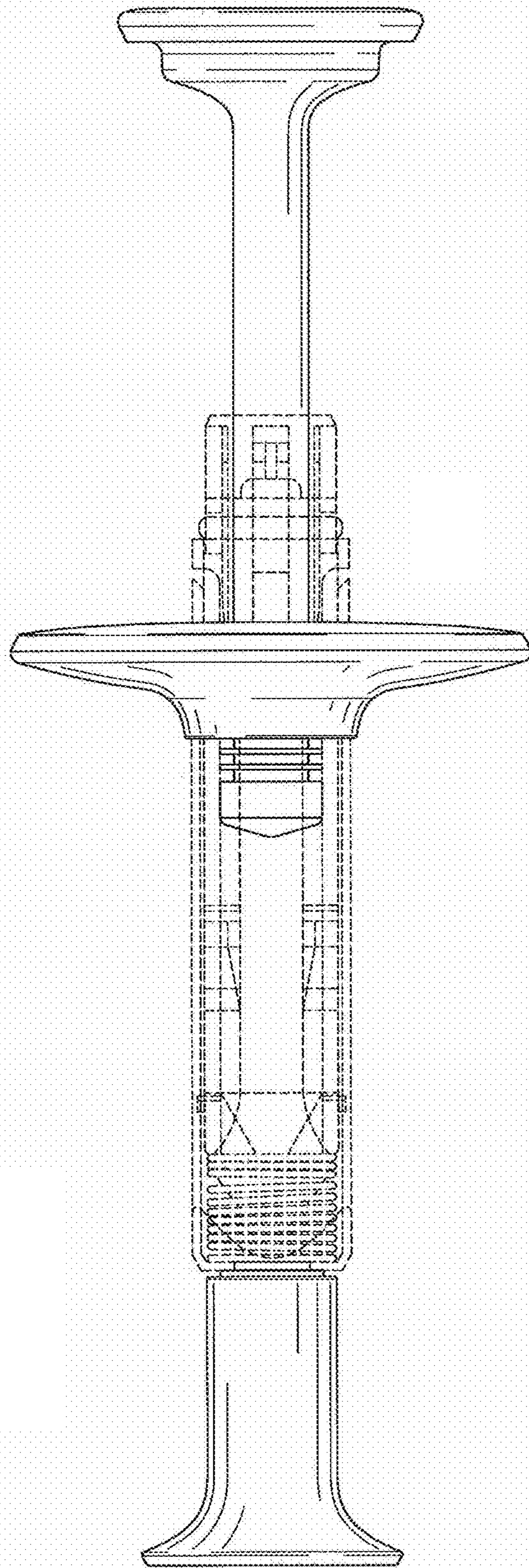


FIG. 3



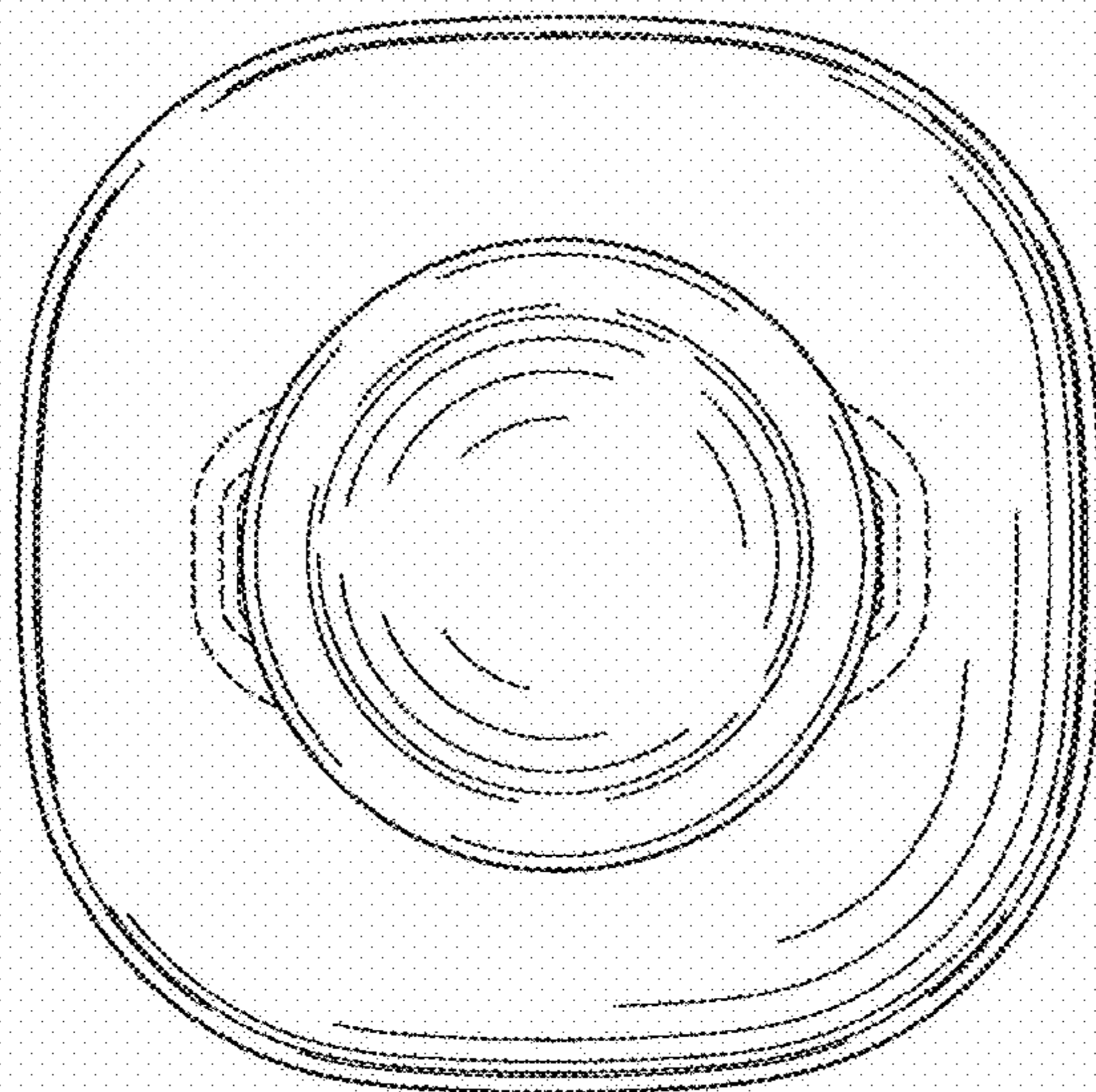


FIG. 4

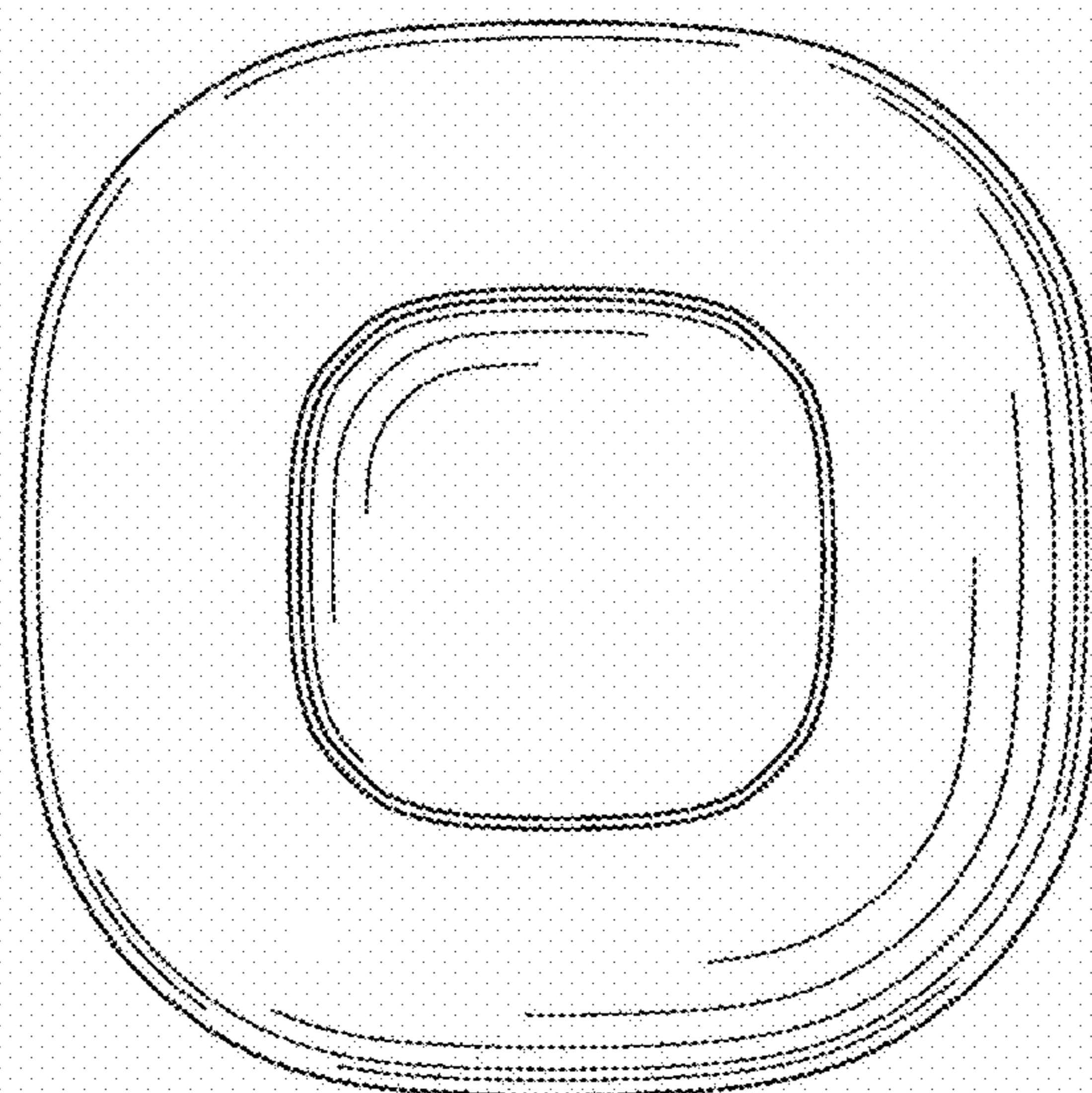


FIG. 5

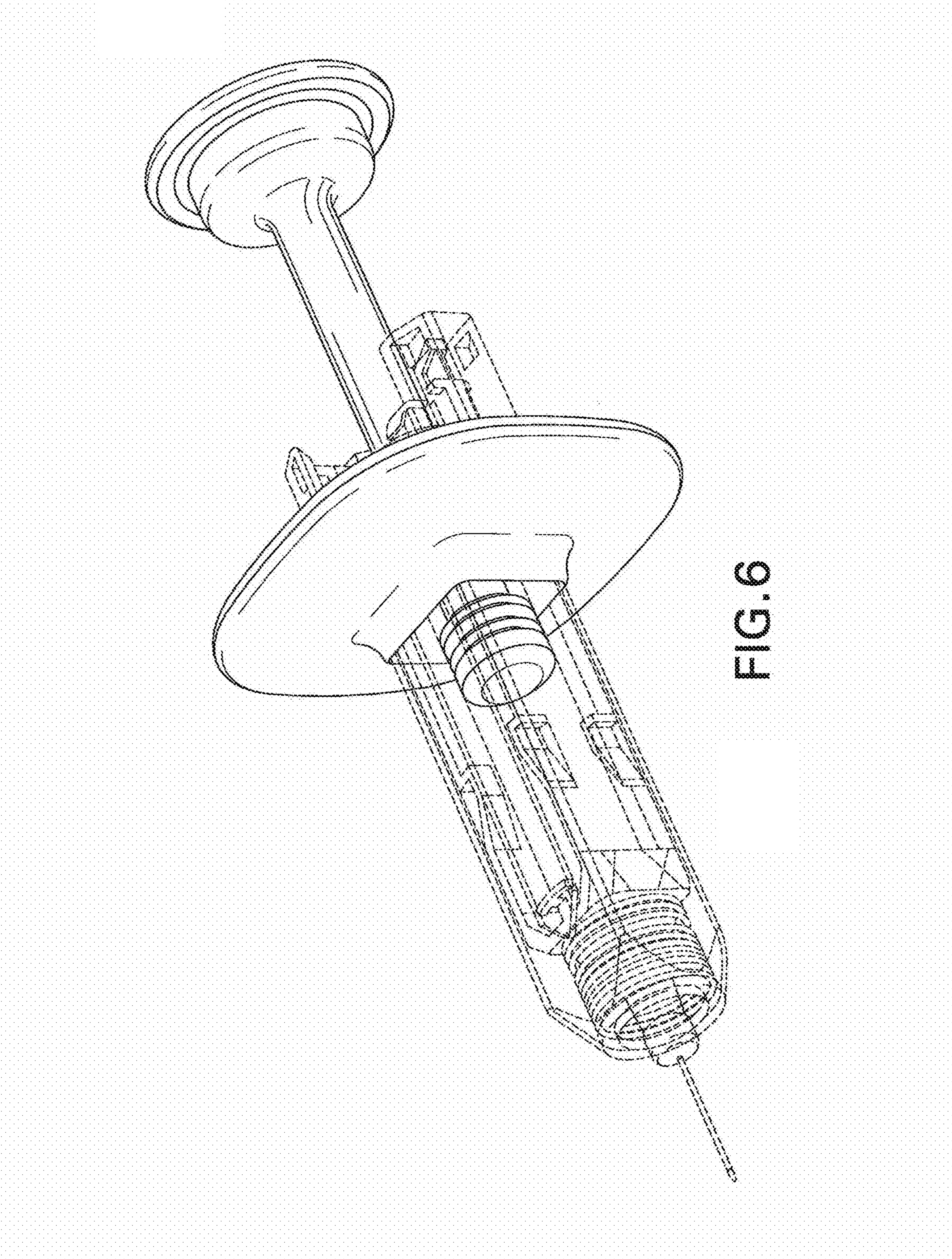


FIG. 6



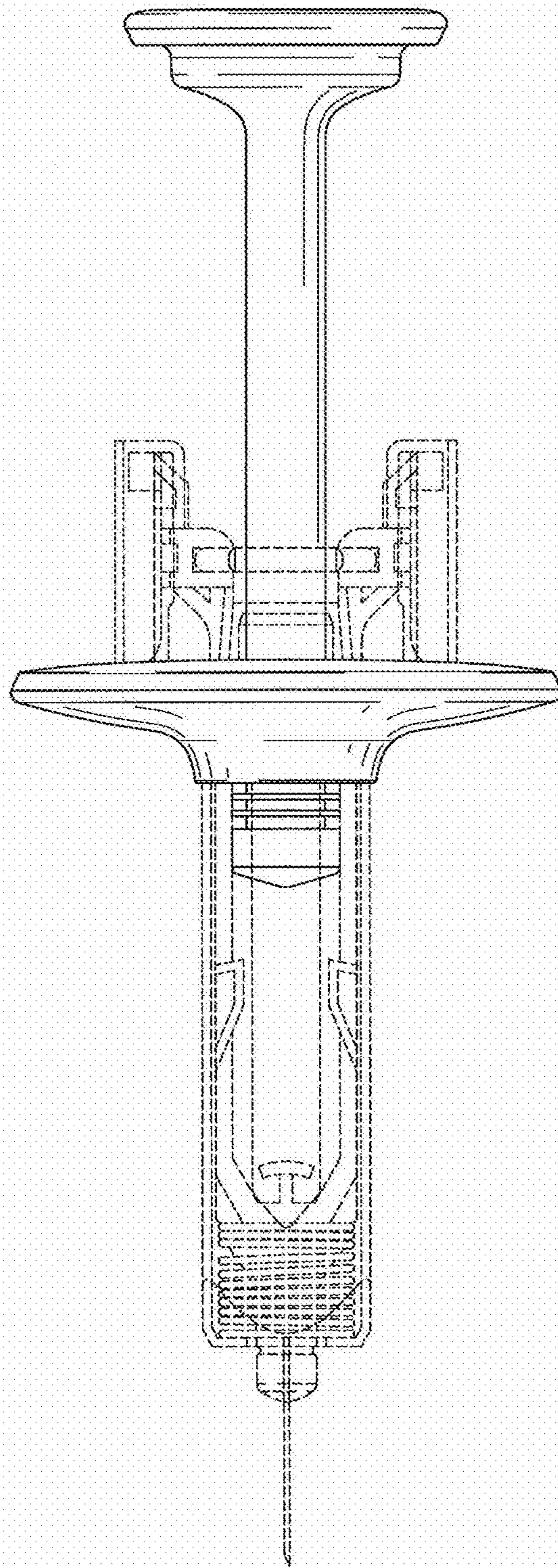


FIG. 7



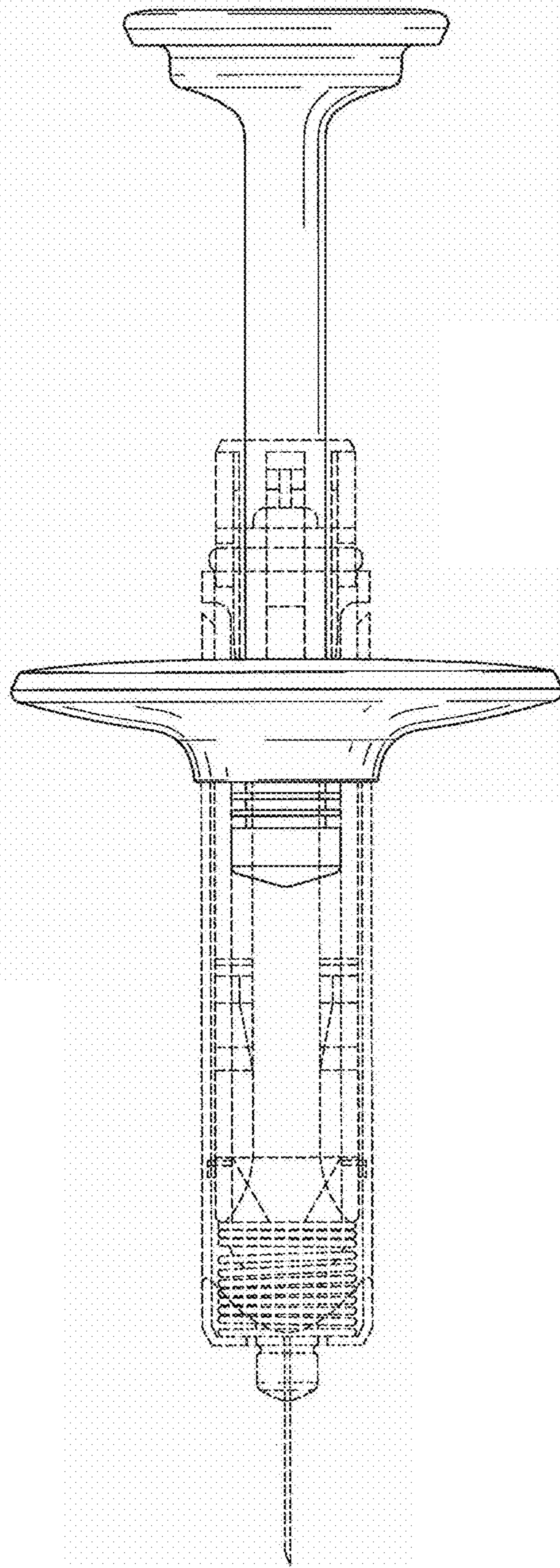


FIG. 8

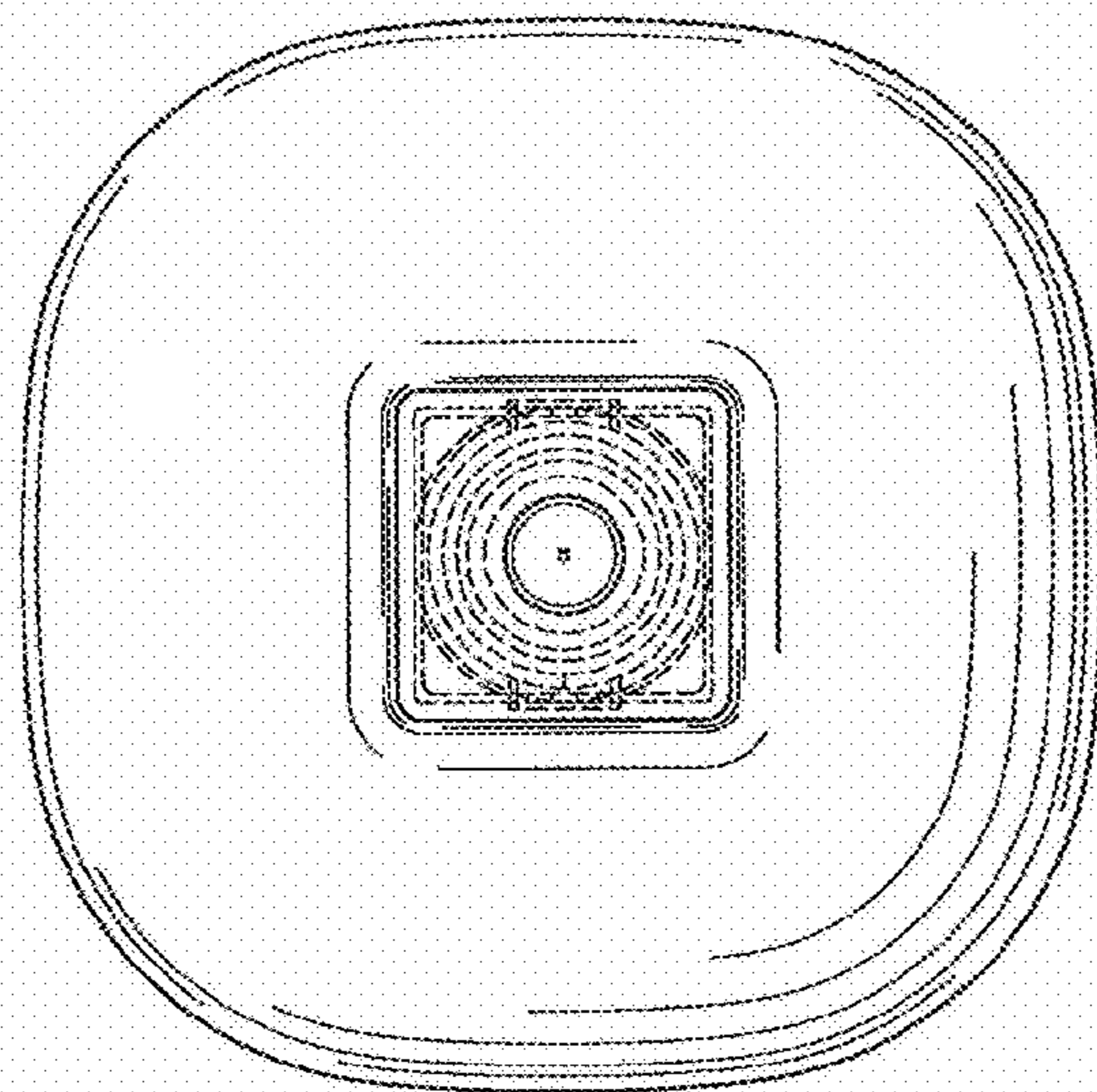


FIG. 9