



US00D770608S

(12) **United States Design Patent** (10) **Patent No.:** **US D770,608 S**
Allum et al. (45) **Date of Patent:** **** *Nov. 1, 2016**

- (54) **INTERFACE FOR MECHANICAL VENTILATION**
- (71) Applicant: **SILVERBOW DEVELOPMENT, LLC**, San Ramon, CA (US)
- (72) Inventors: **Todd Allum**, Livermore, CA (US); **Gregory J. Kapust**, San Ramon, CA (US)
- (73) Assignee: **SILVERBOW DEVELOPMENT LLC**, San Ramon, CA (US)
- (*) Notice: This patent is subject to a terminal disclaimer.
- (**) Term: **14 Years**
- (21) Appl. No.: **29/472,133**
- (22) Filed: **Nov. 8, 2013**
- (51) **LOC (10) Cl.** **29-02**
- (52) **U.S. Cl.**
USPC **D24/110.1**
- (58) **Field of Classification Search**
USPC D24/110-110.6; 128/206.12, 206.23, 128/206.24, 206.28, 205.27, 201.17, 201.22
CPC A61M 16/0622; A61M 16/0616; A61M 16/0816; A61M 16/08; A61M 16/0633; A61M 16/06; A61M 16/0666; A61M 2210/0618
See application file for complete search history.

- (56) **References Cited**
U.S. PATENT DOCUMENTS
2,433,565 A * 12/1947 Korman 128/204.12
4,327,719 A * 5/1982 Childers 128/206.11
4,782,832 A * 11/1988 Trimble et al. 128/207.18
5,425,359 A * 6/1995 Liou 128/206.11
D542,912 S * 5/2007 Gunaratnam et al. D24/110.5
D549,323 S * 8/2007 Kwok et al. D24/110.5
D557,802 S * 12/2007 Miceli et al. D24/110.6

- D571,457 S * 6/2008 Dolezal et al. D24/106
- D572,360 S * 7/2008 Dolezal et al. D24/106
- D586,907 S * 2/2009 Judson et al. D24/110.1
- D588,258 S * 3/2009 Judson et al. D24/110.1
- D589,139 S * 3/2009 Guney et al. D24/110.1
- D591,419 S * 4/2009 Chandran et al. D24/110.1
- D595,848 S * 7/2009 Dolezal et al. D24/135
- D612,933 S * 3/2010 Prentice et al. D24/110.1
- D614,288 S * 4/2010 Judson et al. D24/110.1
- D614,289 S * 4/2010 Veliss et al. D24/110.1
- D634,838 S * 3/2011 Dolezal D24/106
- D645,557 S * 9/2011 Scheiner et al. D24/110.1
- D662,200 S * 6/2012 Eghbal et al. D24/110.1
- D687,539 S * 8/2013 Matula et al. D24/110.1
- D691,712 S * 10/2013 Judson et al. D24/110.1
- D708,736 S * 7/2014 Judson et al. D24/110.5

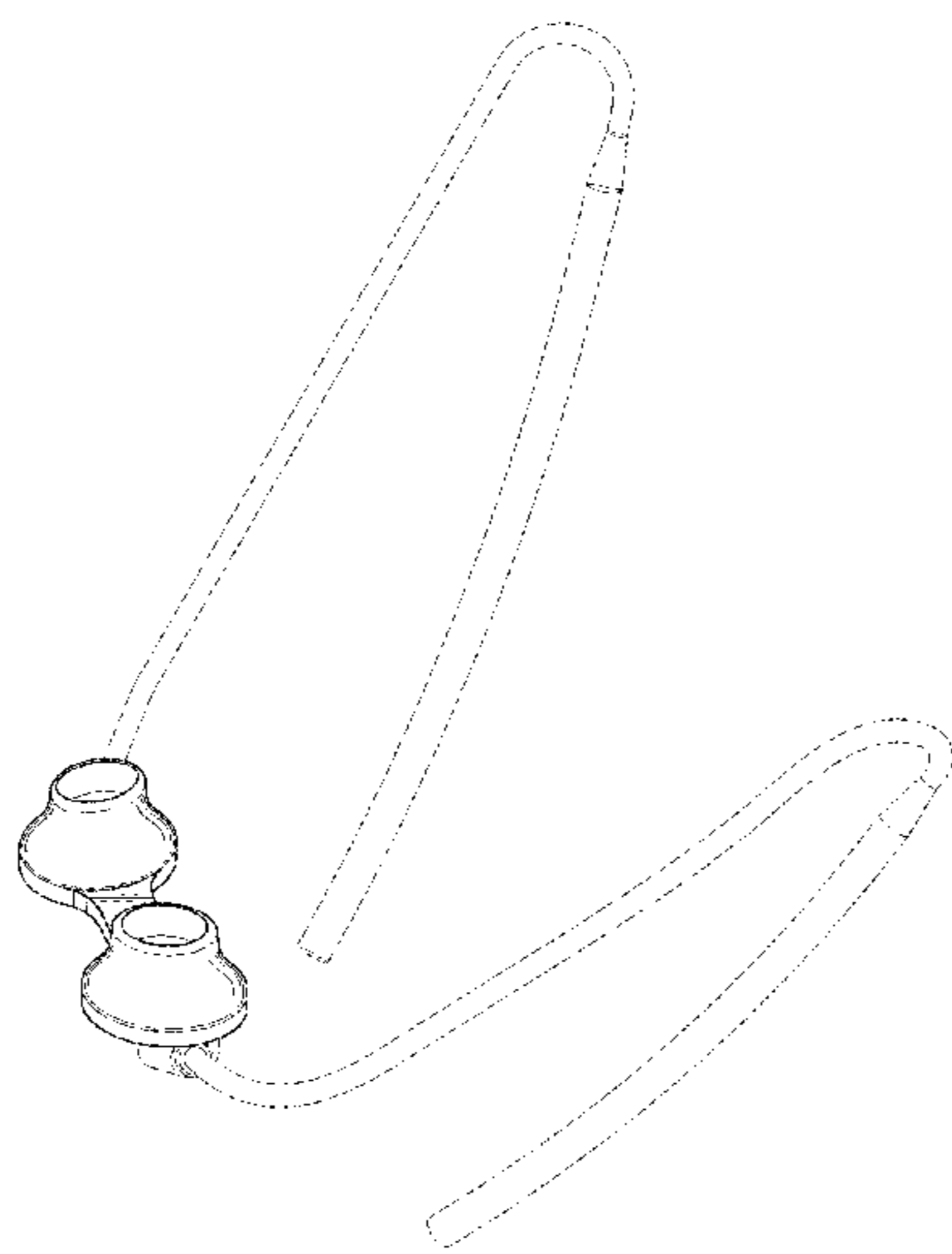
(Continued)

Primary Examiner — Deanna L Pratt
Assistant Examiner — Lilyana Bekic
(74) *Attorney, Agent, or Firm* — Artergis Law Group, LLP

(57) **CLAIM**
The ornamental design for an interface for mechanical ventilation, as shown and described.

DESCRIPTION
FIG. 1 is a top perspective view of an interface for mechanical ventilation, showing our new design;
FIG. 2 is a front elevational view thereof;
FIG. 3 is a rear elevational view thereof;
FIG. 4 is a left side elevational view thereof, the right side being a mirror image;
FIG. 5 is a top plan view thereof;
FIG. 6 is a bottom plan view thereof;
FIG. 7 is an enlarged top perspective view thereof; and,
FIG. 8 is a left side view thereof positioned in a nostril, the right side being a mirror image.
The broken lines in the drawings illustrate portions of the interface for mechanical ventilation that form no part of the claimed design. The broken line showing of the face in FIG. 8 illustrates the environment of the claimed design and forms no part thereof.

1 Claim, 8 Drawing Sheets



(56)

References Cited

U.S. PATENT DOCUMENTS

D729,381	S *	5/2015	Himes et al.	D24/110.1				
9,027,553	B2 *	5/2015	Witt et al.	128/205.25				
9,032,956	B2 *	5/2015	Scheiner et al.	128/206.24				
9,038,634	B2 *	5/2015	Brambilla et al.	128/207.13				
9,038,635	B2 *	5/2015	Brambilla	128/207.13				
2005/0028822	A1 *	2/2005	Sleeper et al.	128/207.18				
2005/0061326	A1 *	3/2005	Payne, Jr.	128/206.11				
2005/0241644	A1 *	11/2005	Gunaratnam et al. ...	128/207.18				
2006/0124131	A1 *	6/2006	Chandran et al.	128/206.28				
2006/0174887	A1 *	8/2006	Chandran et al.	128/206.11				
					2006/0266361	A1 *	11/2006	Hernandez 128/206.11
					2008/0092906	A1 *	4/2008	Gunaratnam et al. ... 128/207.18
					2009/0151729	A1 *	6/2009	Judson et al. 128/207.13
					2009/0320851	A1 *	12/2009	Selvarajan et al. 128/207.13
					2011/0155140	A1 *	6/2011	Ho et al. 128/207.18
					2011/0214676	A1 *	9/2011	Allum et al. 128/207.18
					2011/0232649	A1 *	9/2011	Collazo et al. 128/207.18
					2011/0259340	A1 *	10/2011	Witt et al. 128/207.18
					2012/0204880	A1 *	8/2012	Smith et al. 128/206.24
					2012/0318271	A1 *	12/2012	Ho 128/205.25
					2013/0037030	A1 *	2/2013	Matula, Jr. 128/205.25
					2014/0261433	A1 *	9/2014	Guney 128/205.25

* cited by examiner

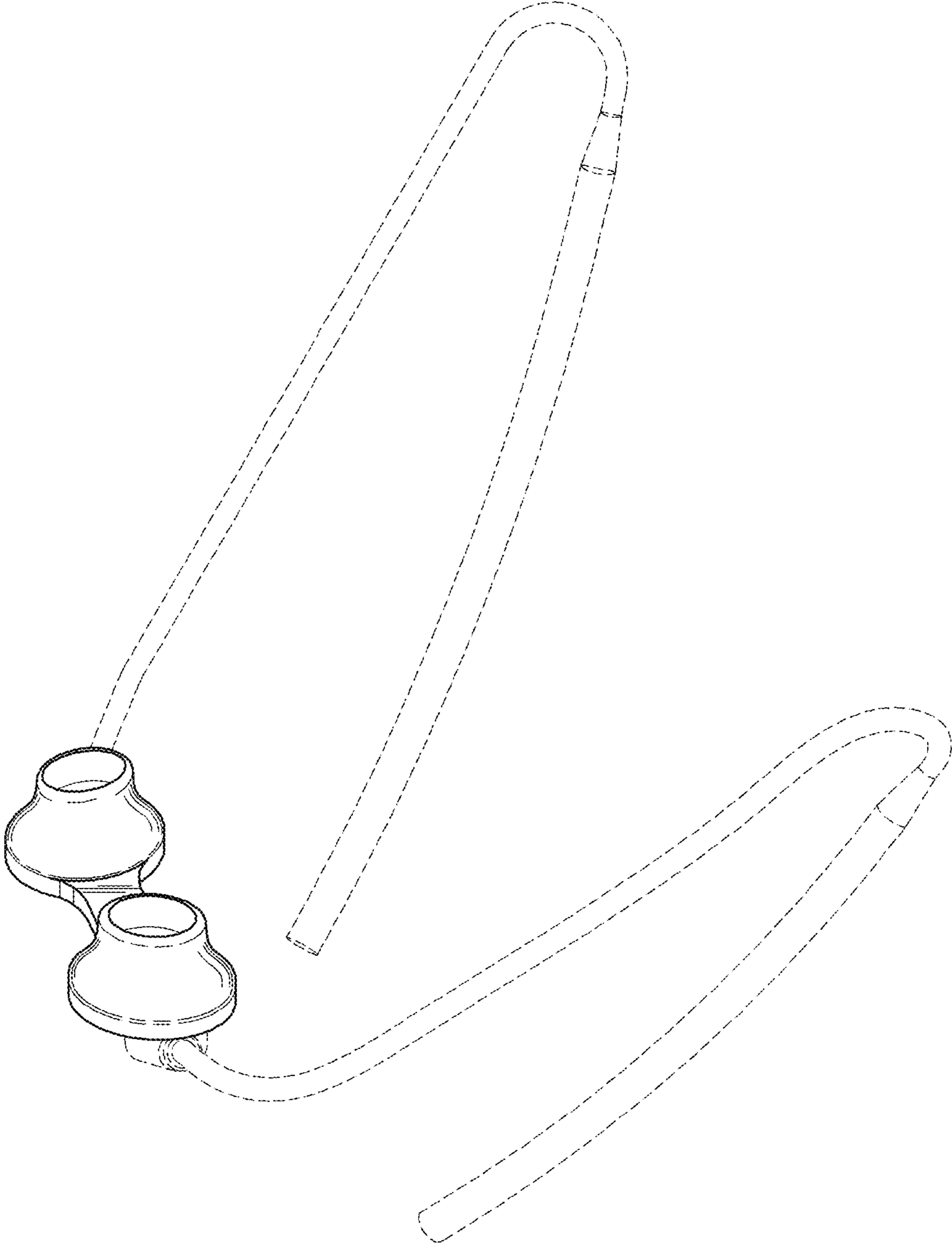


FIG. 1

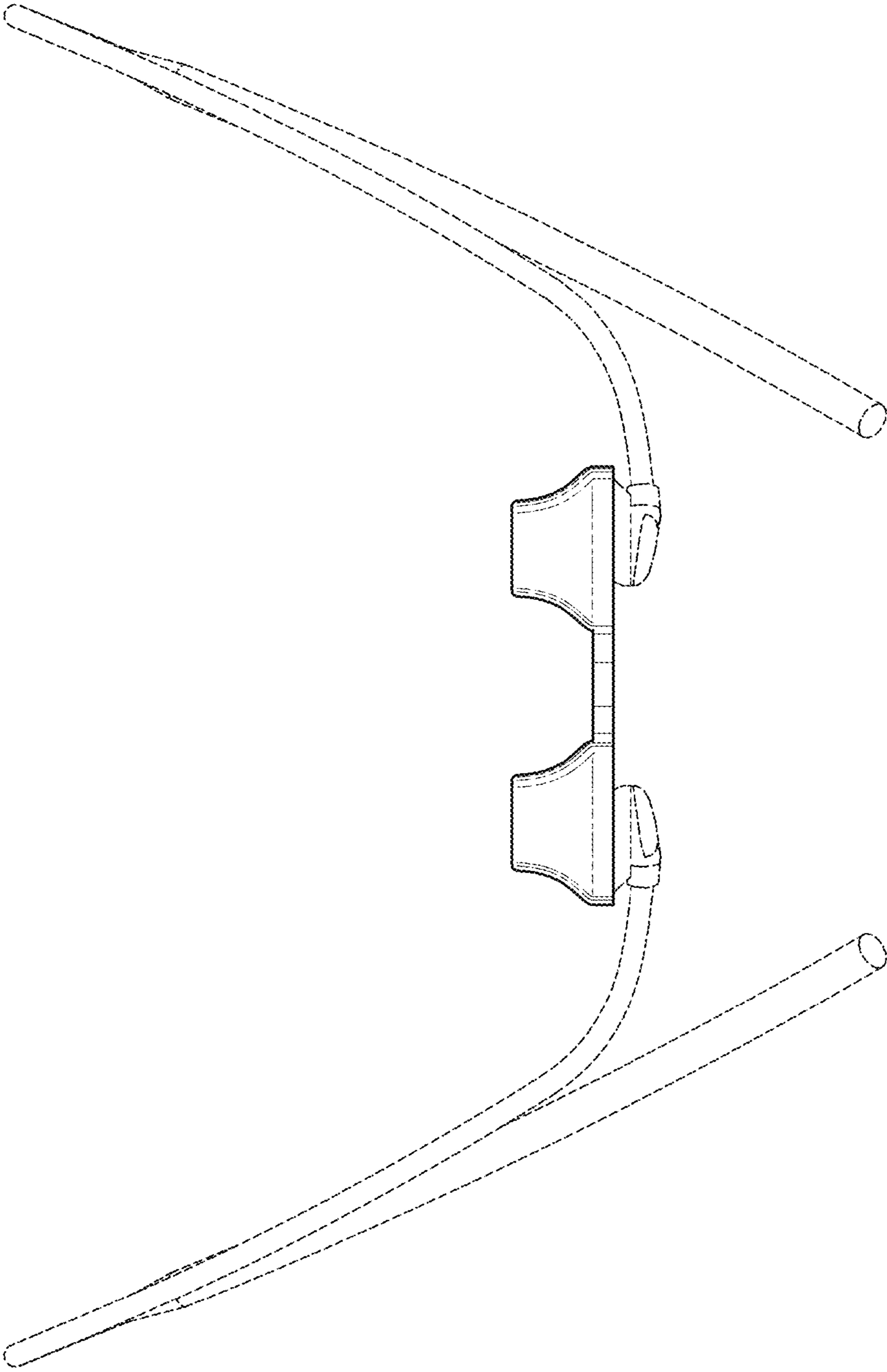


FIG. 2

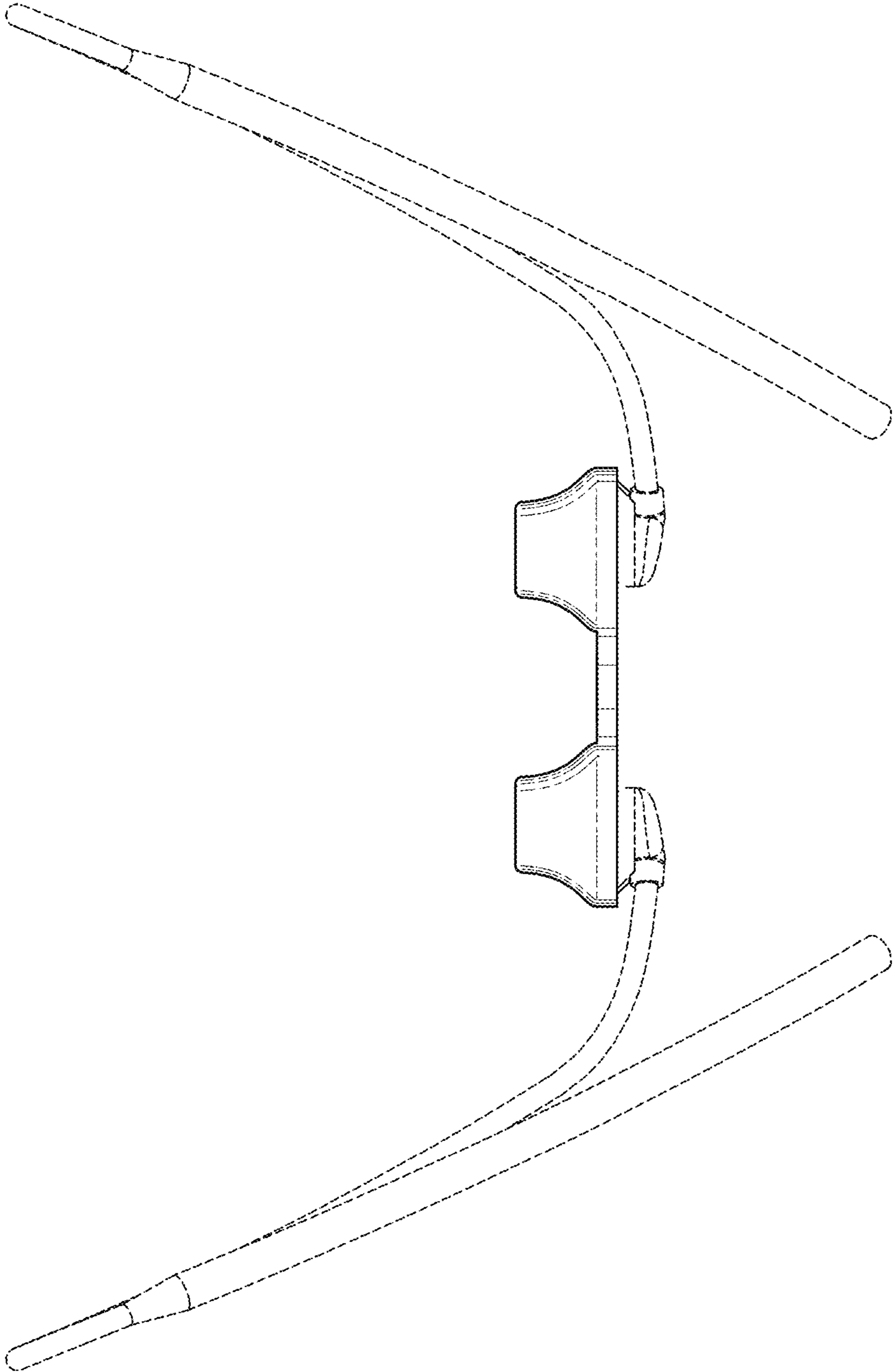


FIG. 3

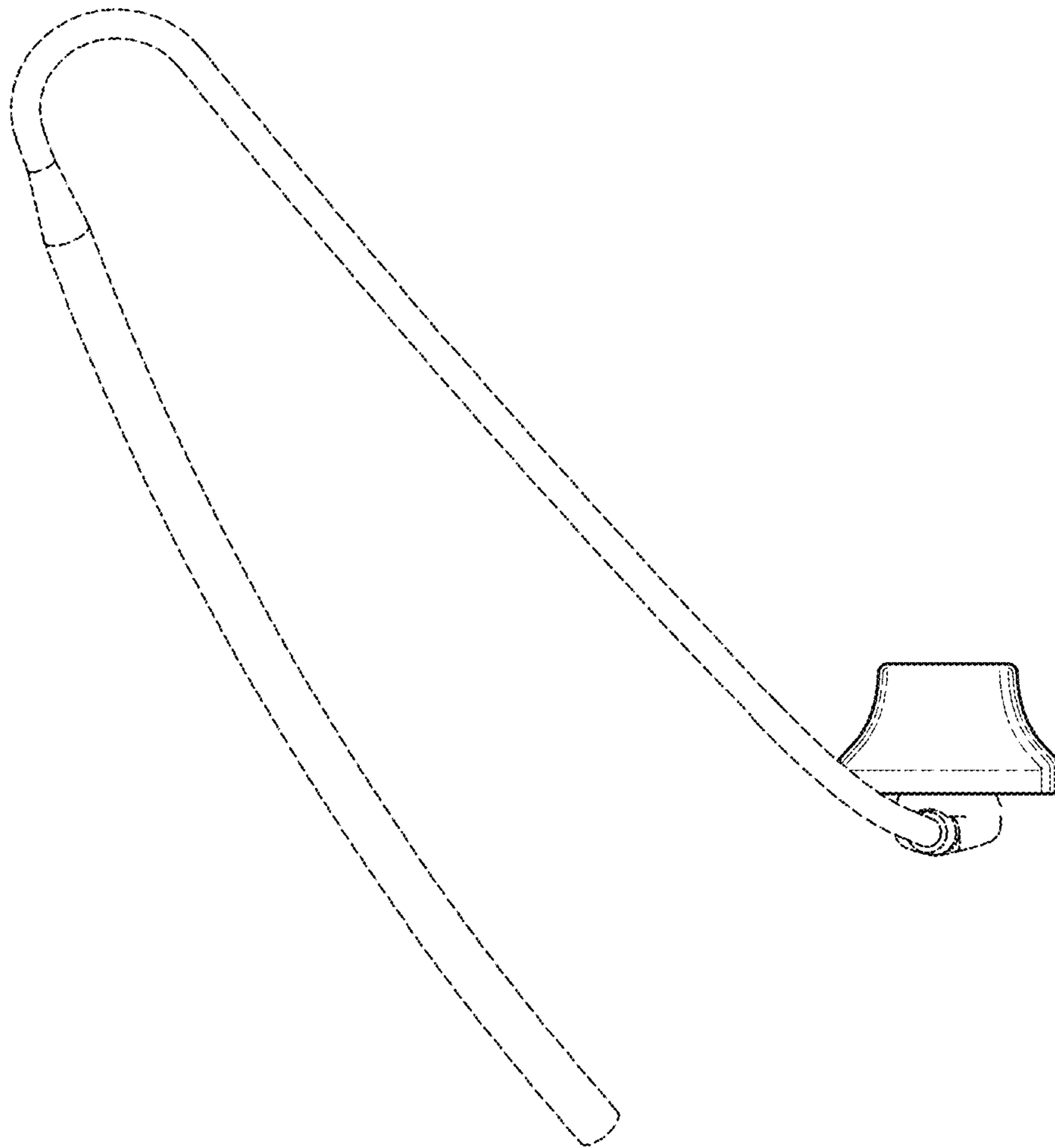


FIG. 4

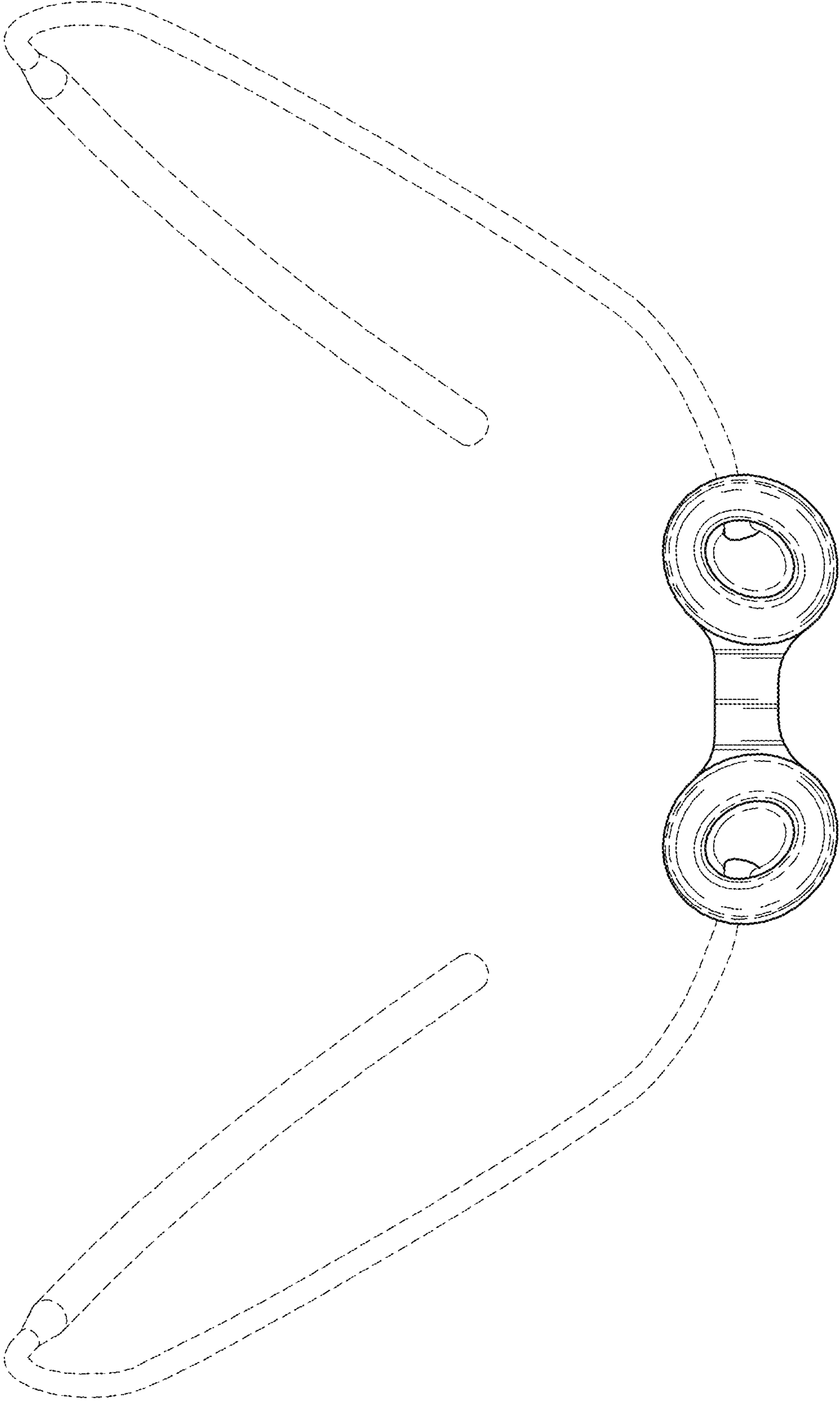


FIG. 5

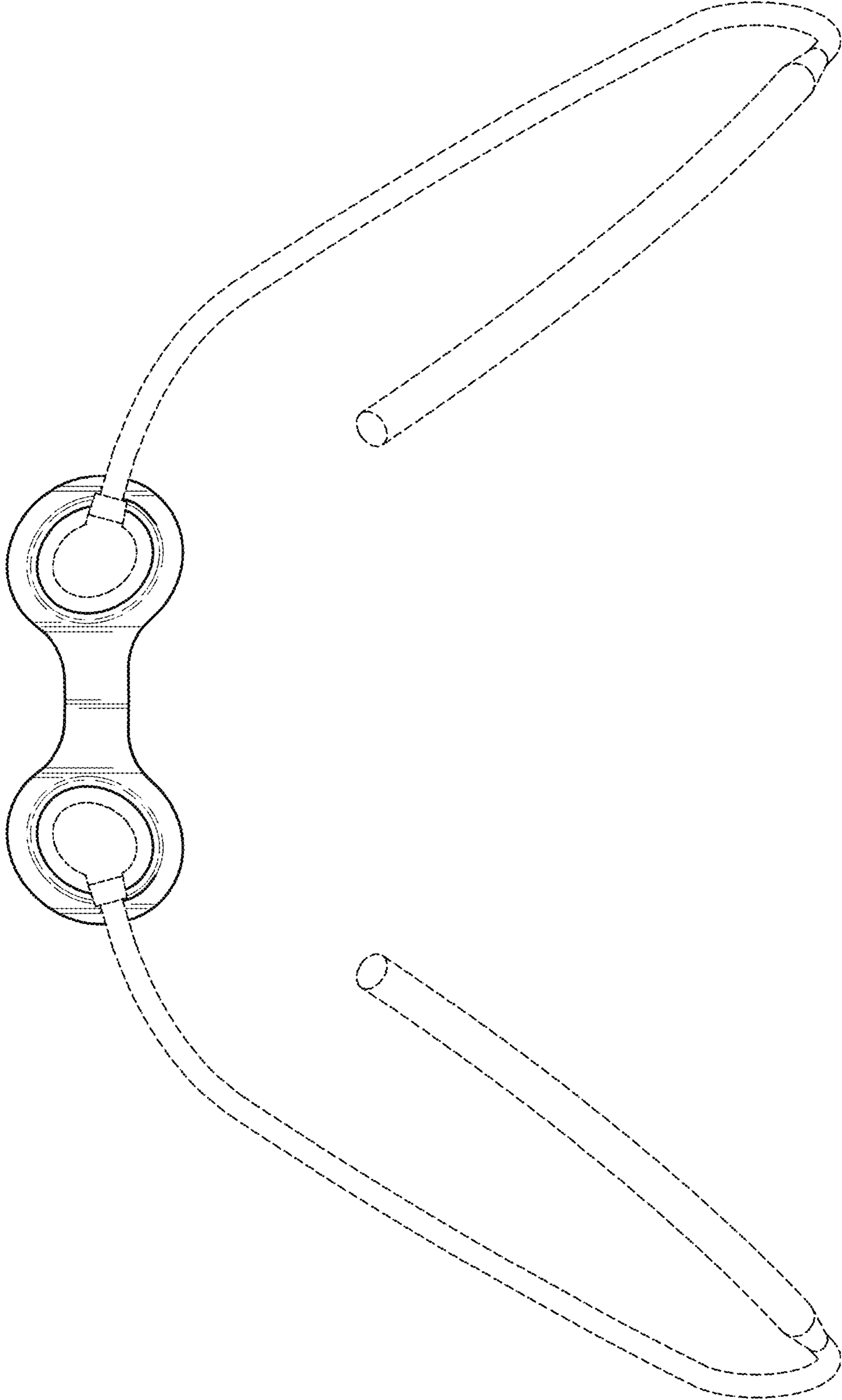


FIG. 6

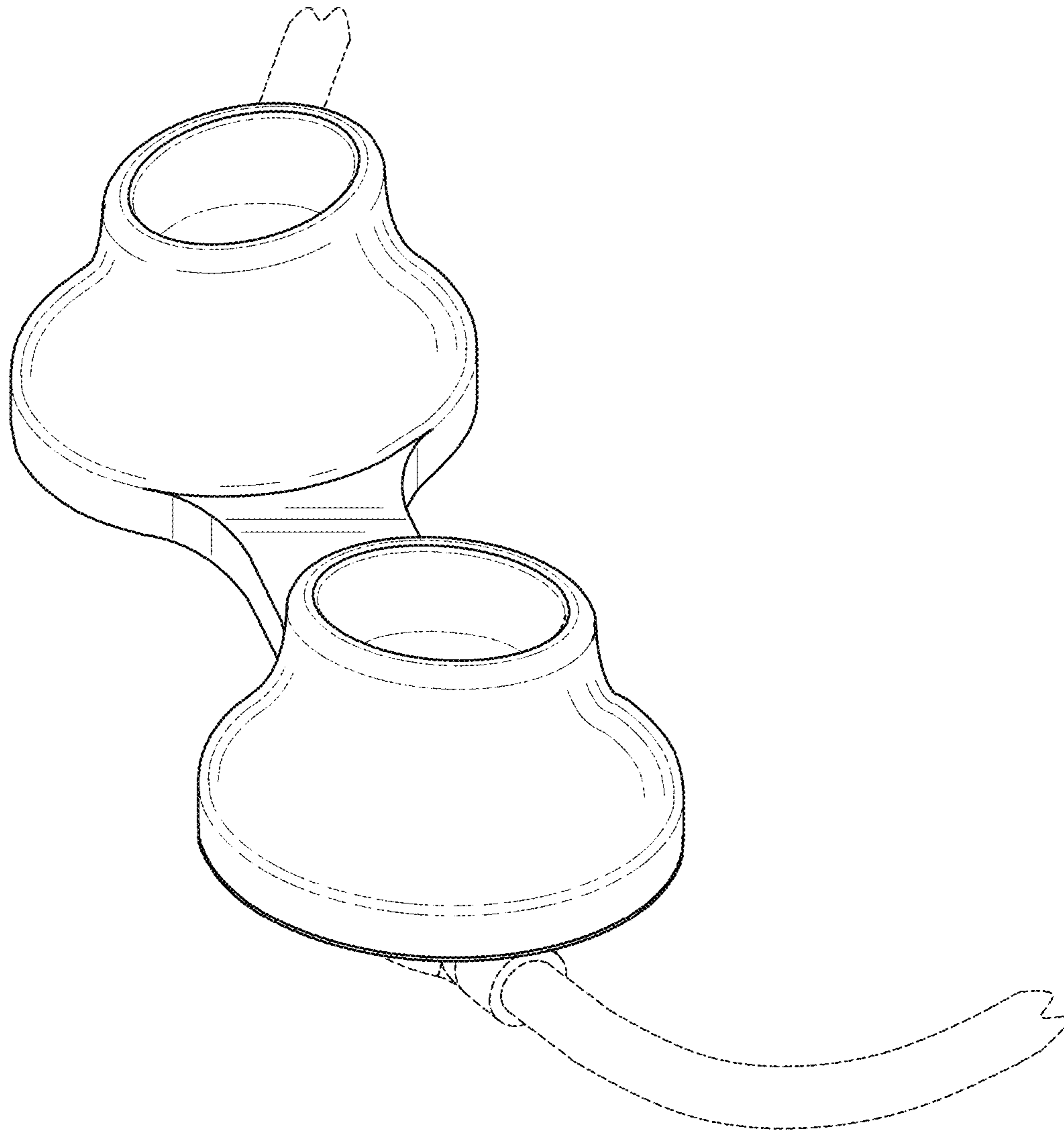


FIG. 7

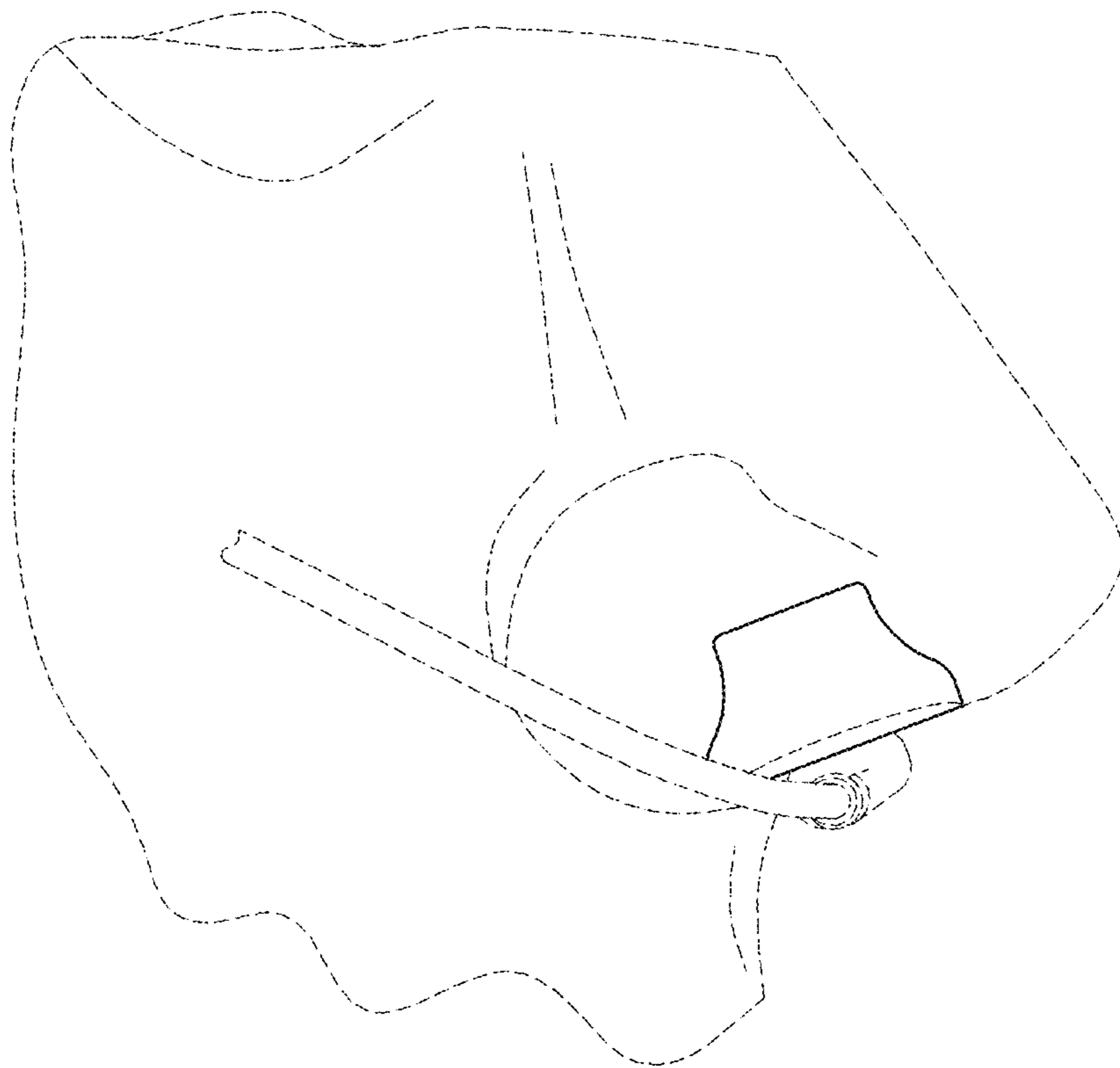


FIG. 8