



US00D770607S

(12) **United States Design Patent** (10) **Patent No.:** **US D770,607 S**
Maurer et al. (45) **Date of Patent:** **** Nov. 1, 2016**

(54) **HUMIDIFIER TUB WATER LEVEL INDICATOR**

(71) Applicant: **ResMed Limited**, Bella Vista, New South Wales (AU)

(72) Inventors: **Dimitri Marco Maurer**, Gosford (AU); **Ian Malcolm Smith**, Sydney (AU); **Richard Llewelyn Jones**, Sydney (AU); **Hargopal Verma**, Sydney (AU); **Mark Bertinetti**, Sydney (AU)

(73) Assignee: **ResMed Limited**, Bella Vista (AU)

(**) Term: **14 Years**

(21) Appl. No.: **29/472,645**

(22) Filed: **Nov. 14, 2013**

Related U.S. Application Data

(62) Division of application No. 29/399,358, filed on Aug. 12, 2011, now Pat. No. Des. 696,766.

(51) **LOC (10) Cl.** **24-02**

(52) **U.S. Cl.**
USPC **D24/110**

(58) **Field of Classification Search**
USPC D24/110, 164; D23/356-364, 366
CPC A61M 16/1045; A61M 16/162; G01F 25/0061

See application file for complete search history.

(56) **References Cited**

U.S. PATENT DOCUMENTS

D419,658 S 1/2000 Matchett et al.
D593,190 S 5/2009 Glass
D612,480 S 3/2010 Cork et al.
D626,642 S 11/2010 Virr et al.

D627,044 S 11/2010 Virr et al.
D635,244 S 3/2011 Virr et al.
D635,245 S 3/2011 Virr et al.
D635,654 S 4/2011 Virr et al.
D643,114 S 8/2011 Virr et al.
D644,320 S 8/2011 Virr et al.
2011/0155132 A1* 6/2011 Virr et al. 128/203.26

OTHER PUBLICATIONS

Maurer et al., U.S. Appl. No. 29/399,358, filed Aug. 12, 2011.

* cited by examiner

Primary Examiner — Ian Simmons

Assistant Examiner — Richelle G Shelton

(74) *Attorney, Agent, or Firm* — Nixon & Vanderhye P.C.

(57) **CLAIM**

The ornamental design for a humidifier tub water level indicator, as shown and described.

DESCRIPTION

FIG. 1 is a perspective view of a humidifier tub water level indicator according to a first embodiment showing our new ornamental design;

FIG. 2 is a front view thereof;

FIG. 3 is a rear view thereof;

FIG. 4 is a top view thereof;

FIG. 5 is a bottom view thereof;

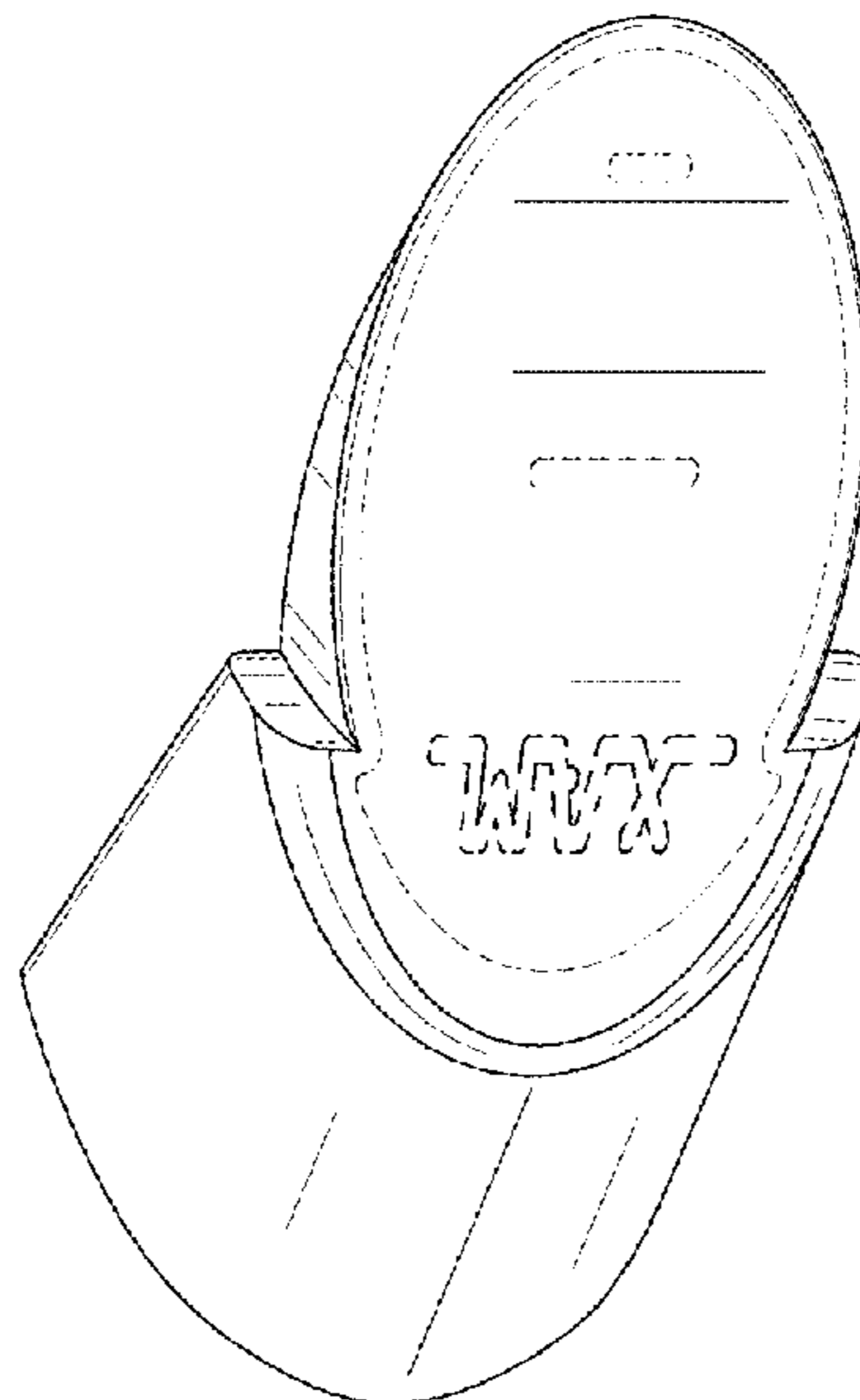
FIG. 6 is a left side view thereof;

FIG. 7 is a right side view thereof; and,

FIG. 8 is a cross sectional view taken along lines 8-8 of FIG. 2.

Where included, broken lines and all within represent environmental structure and do not form a part of the claimed design.

1 Claim, 2 Drawing Sheets



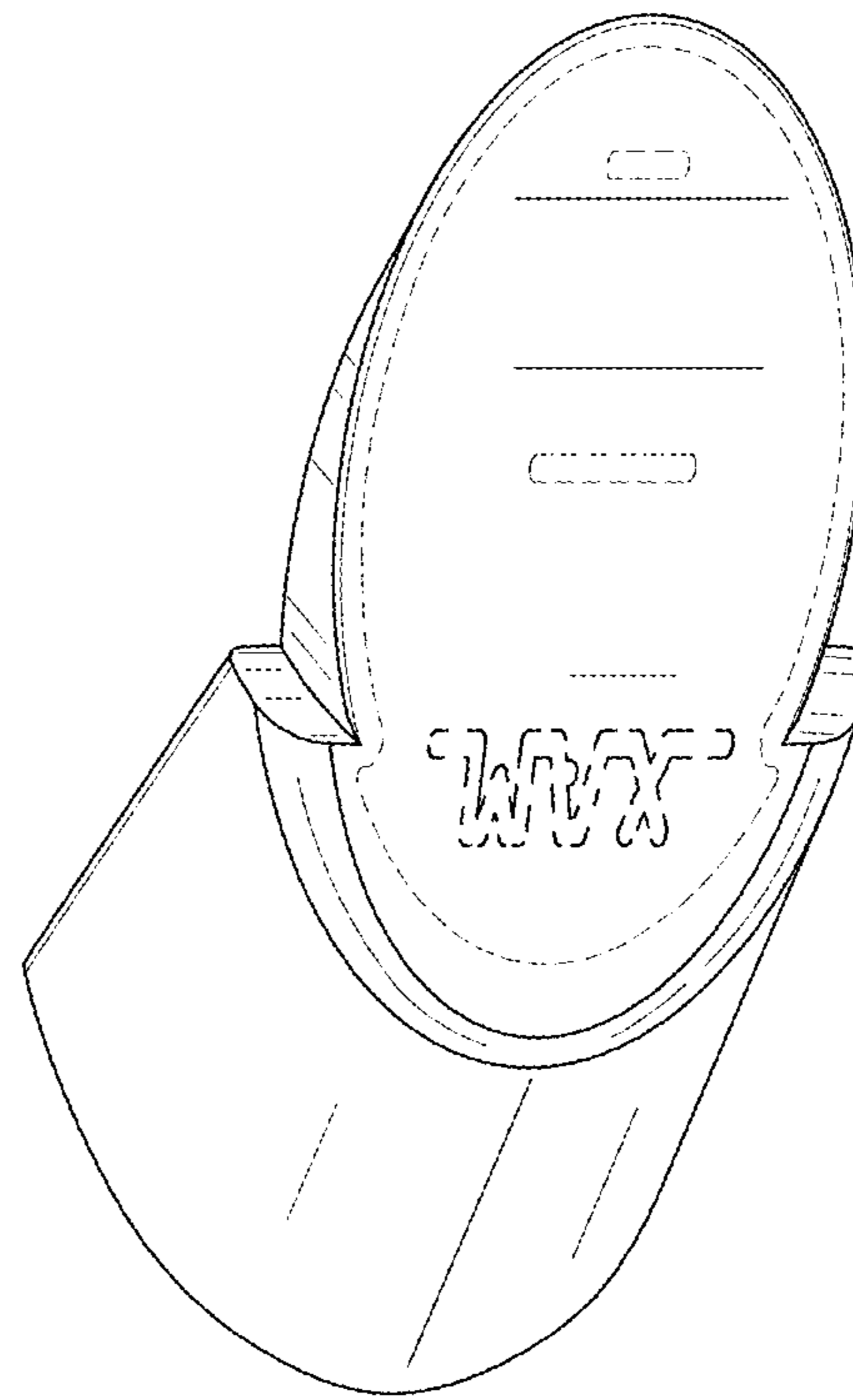


FIG. 1

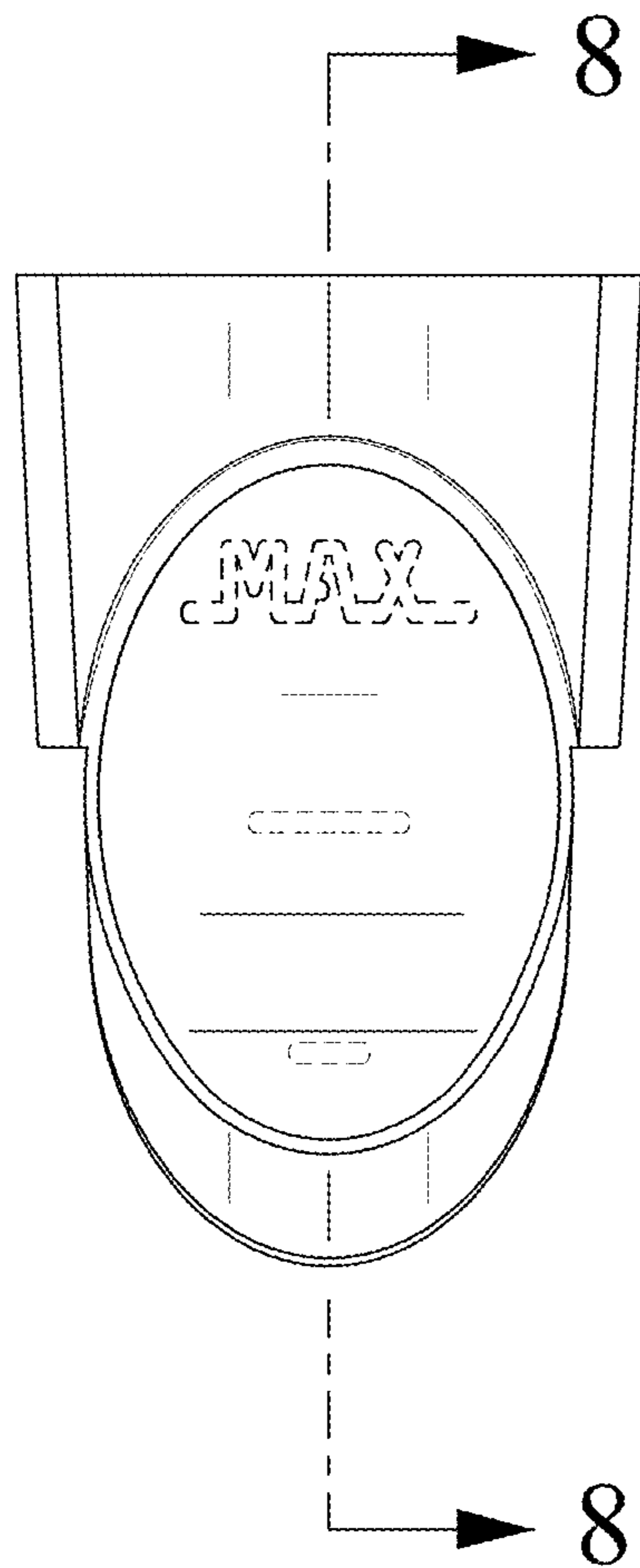


FIG. 2

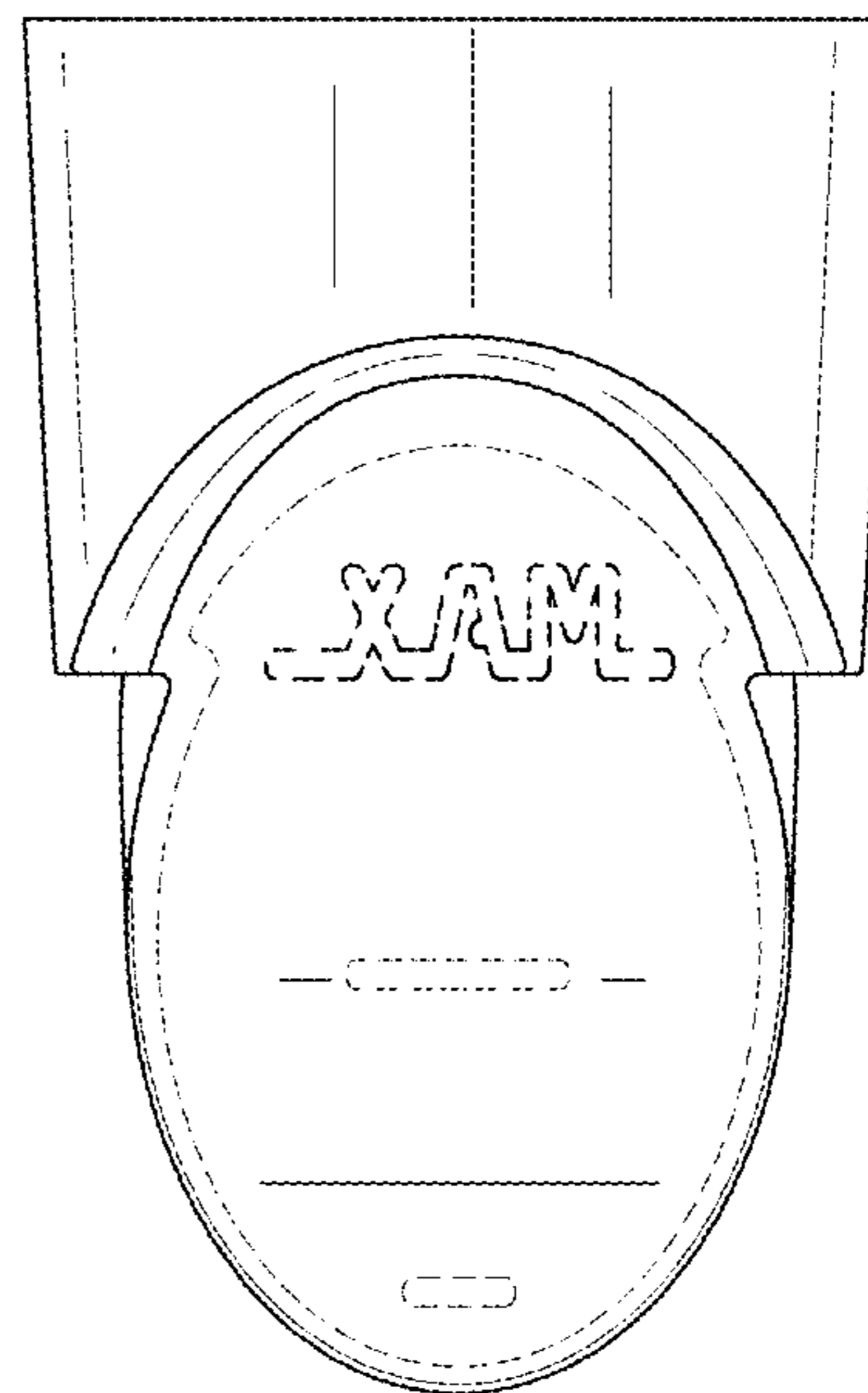


FIG. 3

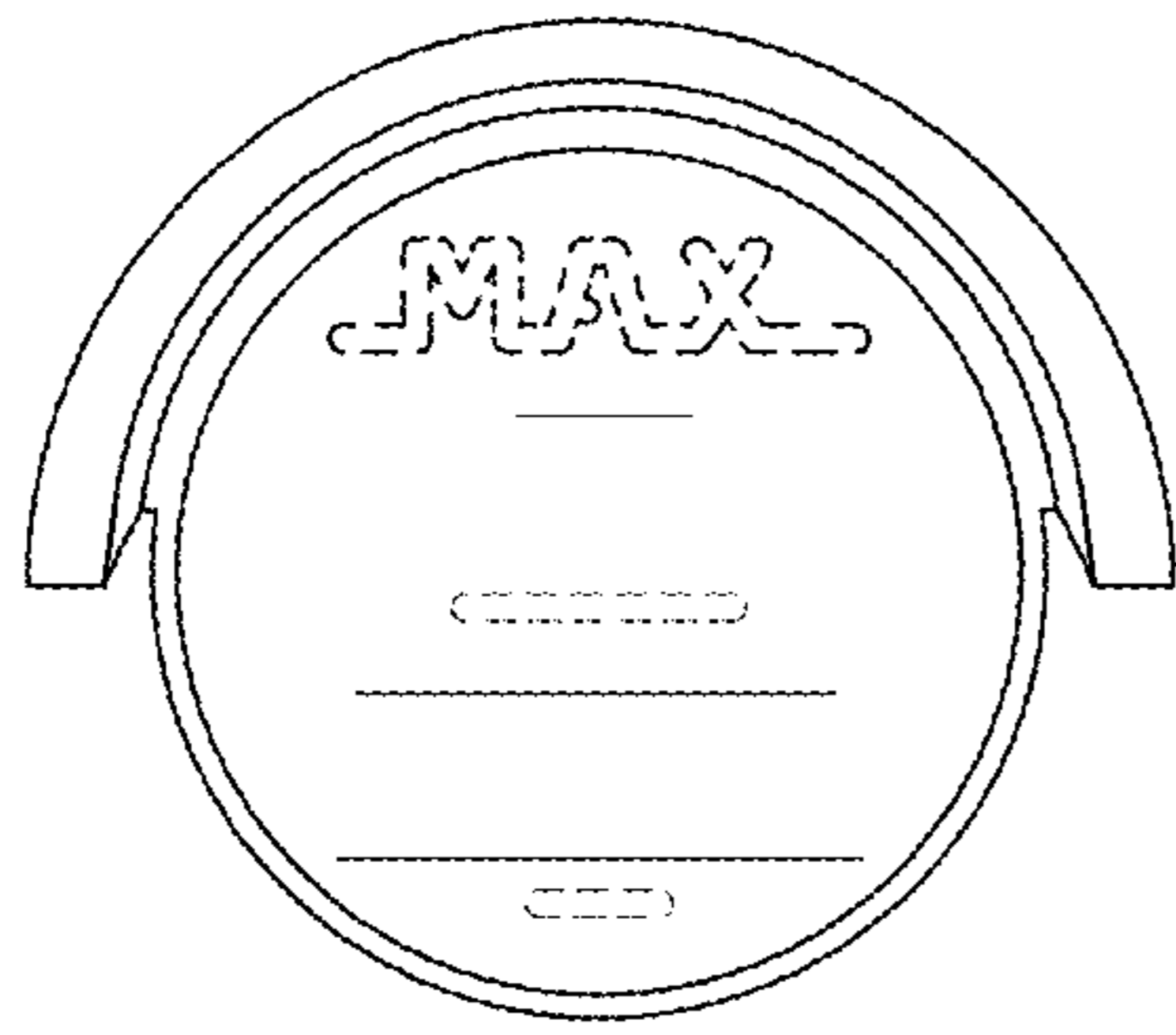


FIG. 4

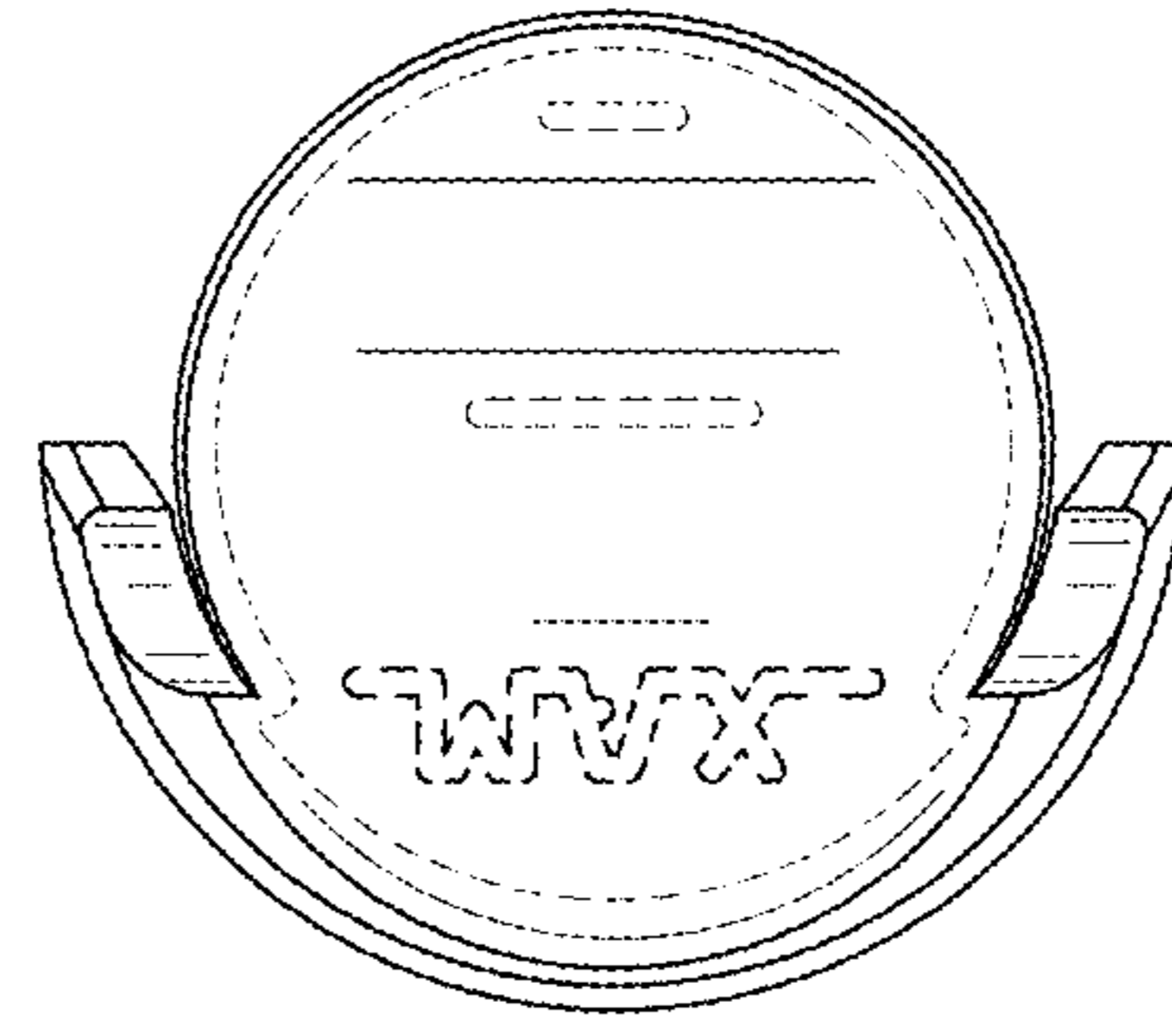


FIG. 5

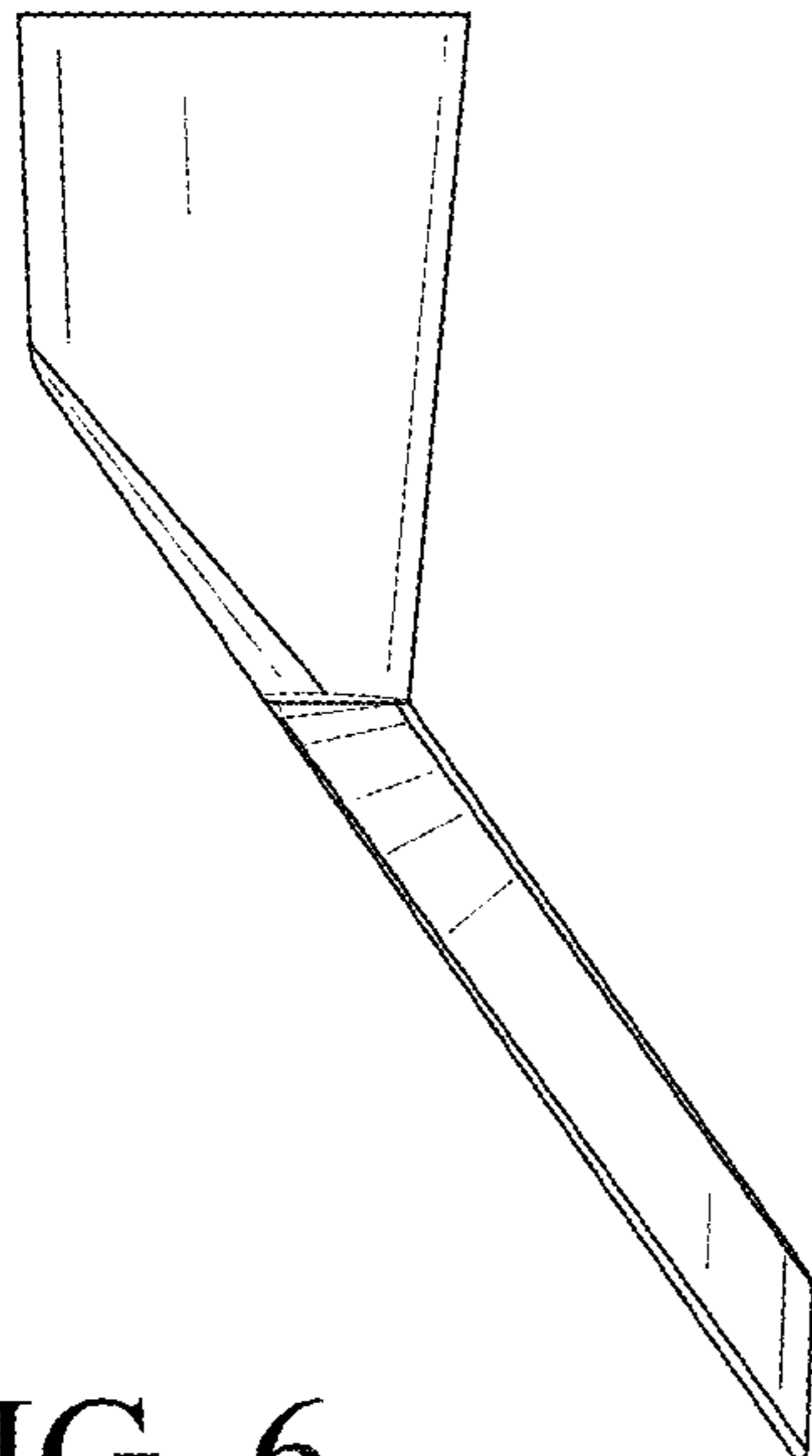


FIG. 6

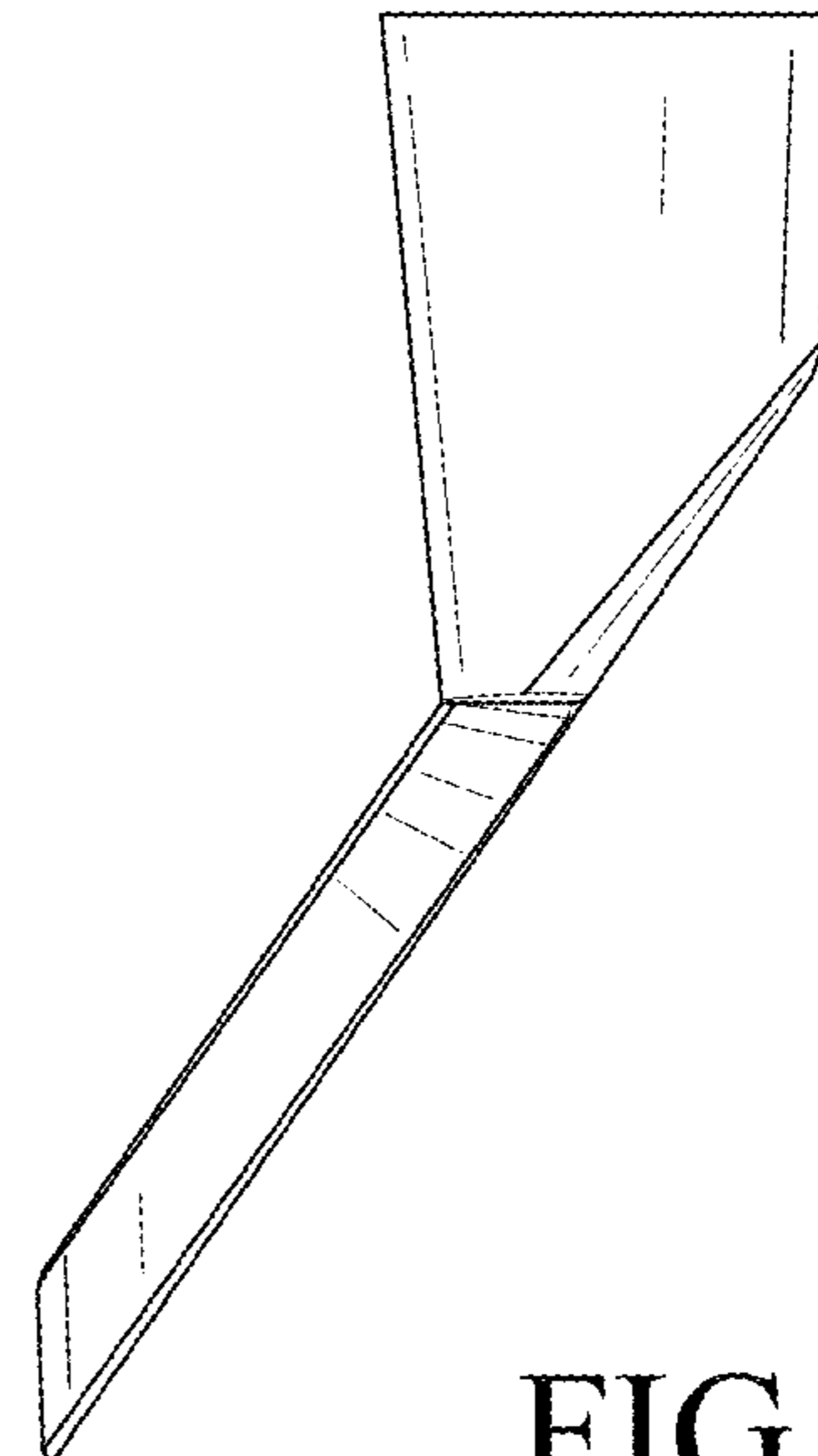


FIG. 7

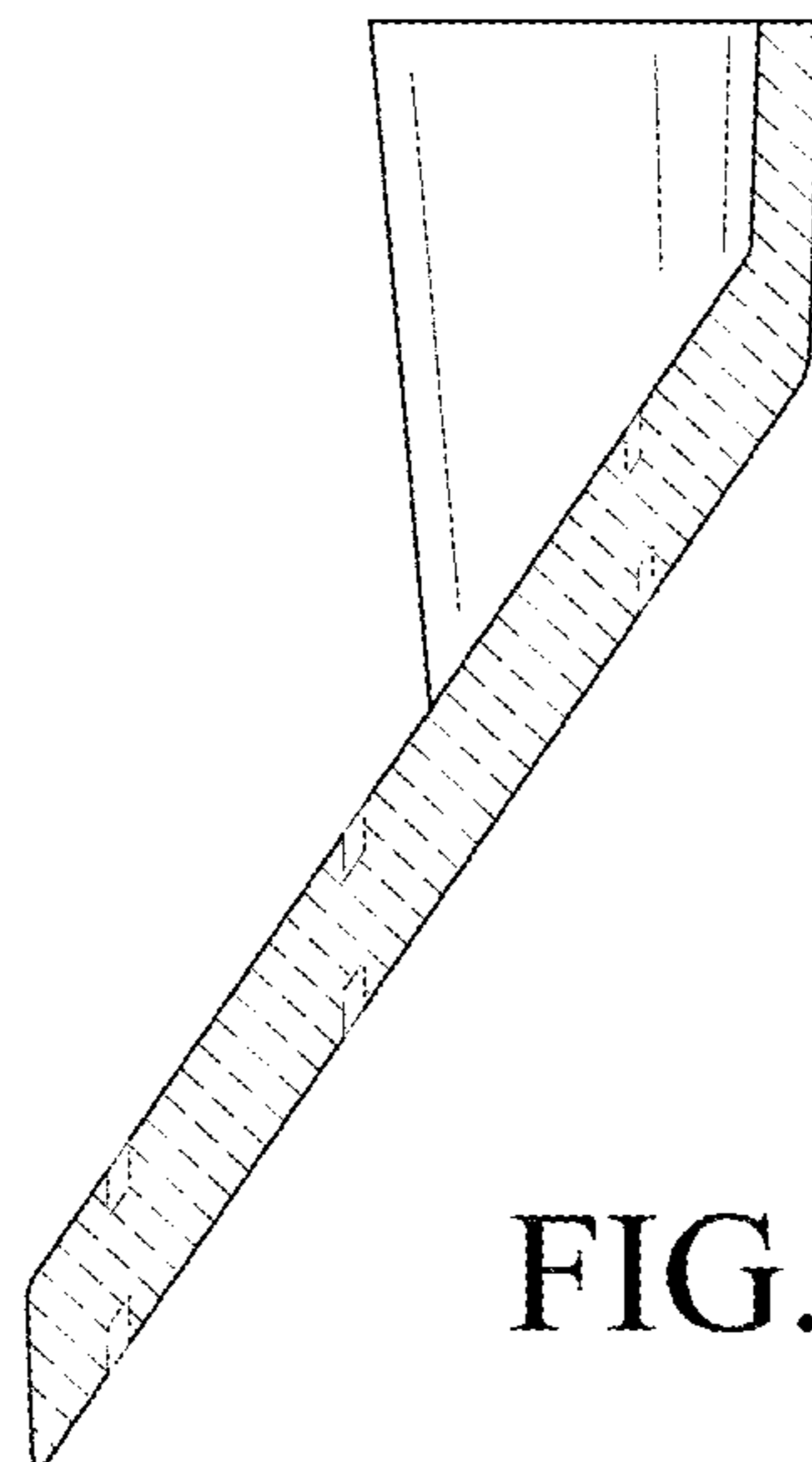


FIG. 8