



US00D770605S

(12) **United States Design Patent** (10) **Patent No.:** **US D770,605 S**  
**Wu et al.** (45) **Date of Patent:** **\*\* Nov. 1, 2016**

(54) **FURNACE** 8,479,720 B1 \* 7/2013 Figueroa ..... A47J 37/0704  
110/108  
D688,507 S \* 8/2013 Hill ..... D7/323  
(71) Applicant: **Qingdao Genjoy Home Fashion Co.,** 9,328,927 B2 \* 5/2016 Wang ..... F24C 1/12  
**Ltd., Qingdao, Shandong (CN)** 2003/0056782 A1 \* 3/2003 Liang ..... F24C 1/12  
126/92 B  
(72) Inventors: **Xiaohui Wu, Shandong (CN);** 2008/0152329 A1 \* 6/2008 Saunders ..... F24C 3/04  
**Fangwen Cai, Shandong (CN)** 392/407  
2010/0065047 A1 \* 3/2010 Wang ..... F24C 1/12  
126/92 AC  
(73) Assignee: **Qingdao Genjoy Home Fashion Co.,** 2013/0160759 A1 \* 6/2013 Yen ..... F24C 3/14  
**Ltd., Qingdao, Shandong (CN)** 126/91 A  
2014/0109610 A1 \* 4/2014 Wulf ..... F24F 1/00  
62/314

(\*\*) Term: **15 Years**

(21) Appl. No.: **29/545,273**

(22) Filed: **Nov. 11, 2015**

(30) **Foreign Application Priority Data**

May 12, 2015 (CN) ..... 2015 3 0138605

(51) **LOC (10) Cl.** ..... **23-03**

(52) **U.S. Cl.**  
USPC ..... **D23/329; D23/332**

(58) **Field of Classification Search**  
USPC ..... D23/332, 328, 323, 336, 339, 342, 386,  
D23/338, 314, 317; 126/92 AC, 85 R, 77, 58  
CPC ..... F24C 7/105; F24C 1/10; F24C 3/04;  
F24C 7/065; F23D 14/12; F24H 3/00  
See application file for complete search history.

(56) **References Cited**

**U.S. PATENT DOCUMENTS**

D325,963 S \* 5/1992 Anderson ..... D23/342  
D429,324 S \* 8/2000 Olson ..... D23/342  
D486,211 S \* 2/2004 Chan ..... D23/332  
D608,431 S \* 1/2010 Wang ..... D23/314

\* cited by examiner

*Primary Examiner* — T. Chase Nelson

*Assistant Examiner* — Ania Aman

(74) *Attorney, Agent, or Firm* — Young Basile Hanlon & MacFarlane, P.C.

(57) **CLAIM**

The ornamental design for a furnace, as shown and described.

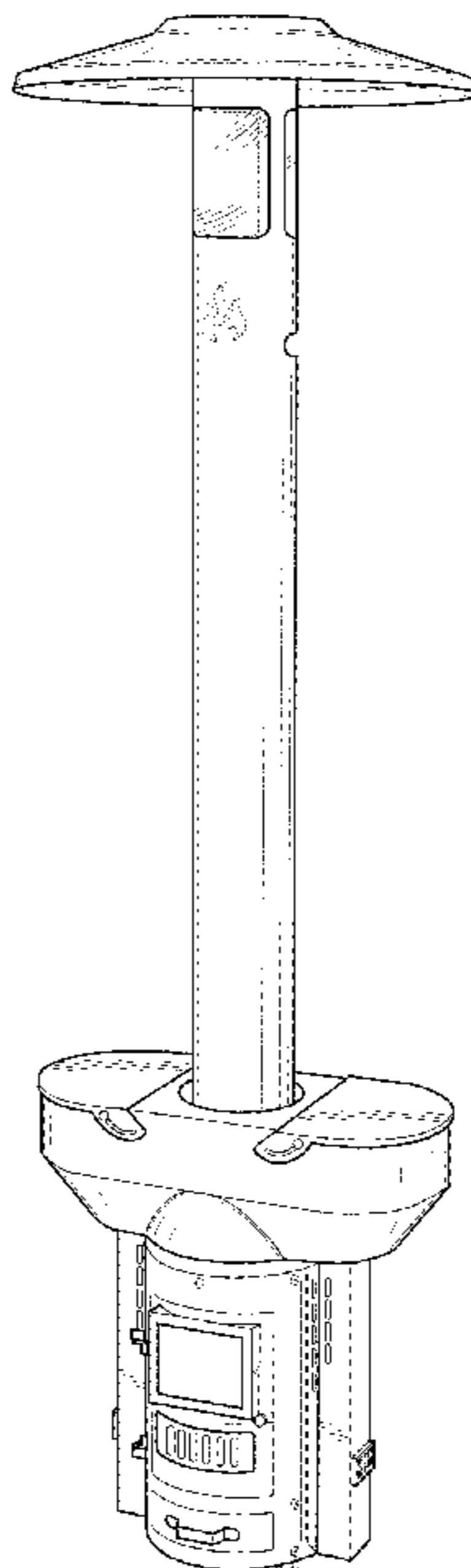
**DESCRIPTION**

FIG. 1 is a perspective view of the furnace of our new design;  
FIG. 2 is a front view of the furnace of FIG. 1;  
FIG. 3 is a rear view of the furnace of FIG. 1;  
FIG. 4 is a left side view of the furnace of FIG. 1;  
FIG. 5 is a right side view of the furnace of FIG. 1; and,  
FIG. 6 is a top view of the furnace of FIG. 1.

A bottom view is omitted as the bottom is flat and devoid of surface ornamentation.

The broken-line drawings in all views of the light are for environmental purposes only and form no part of the claimed design.

**1 Claim, 4 Drawing Sheets**



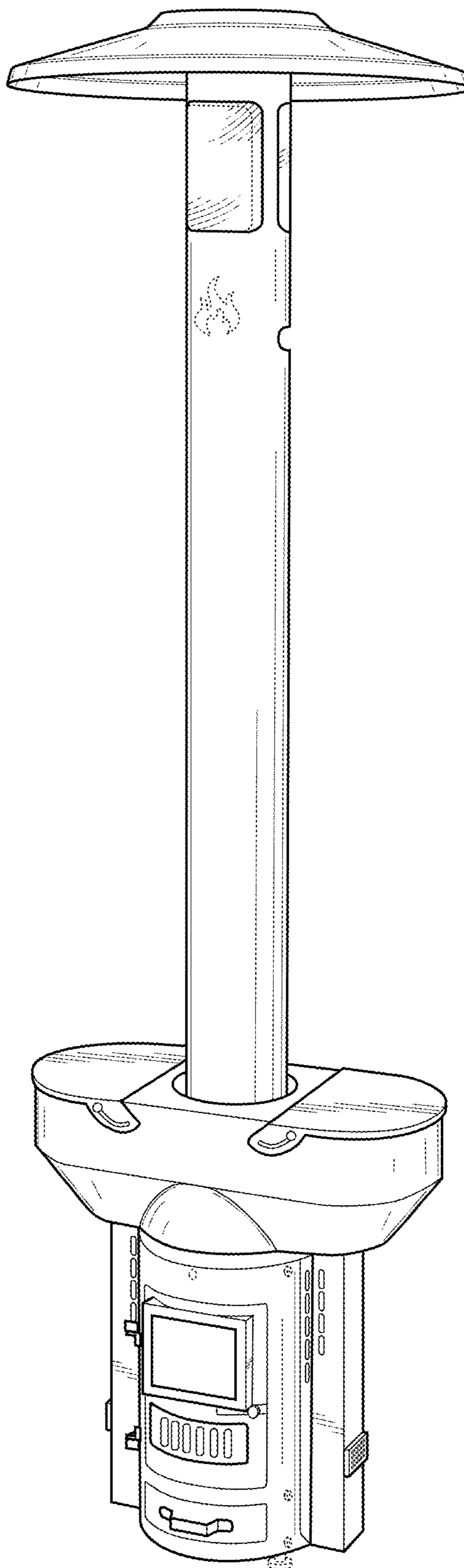


FIG. 1

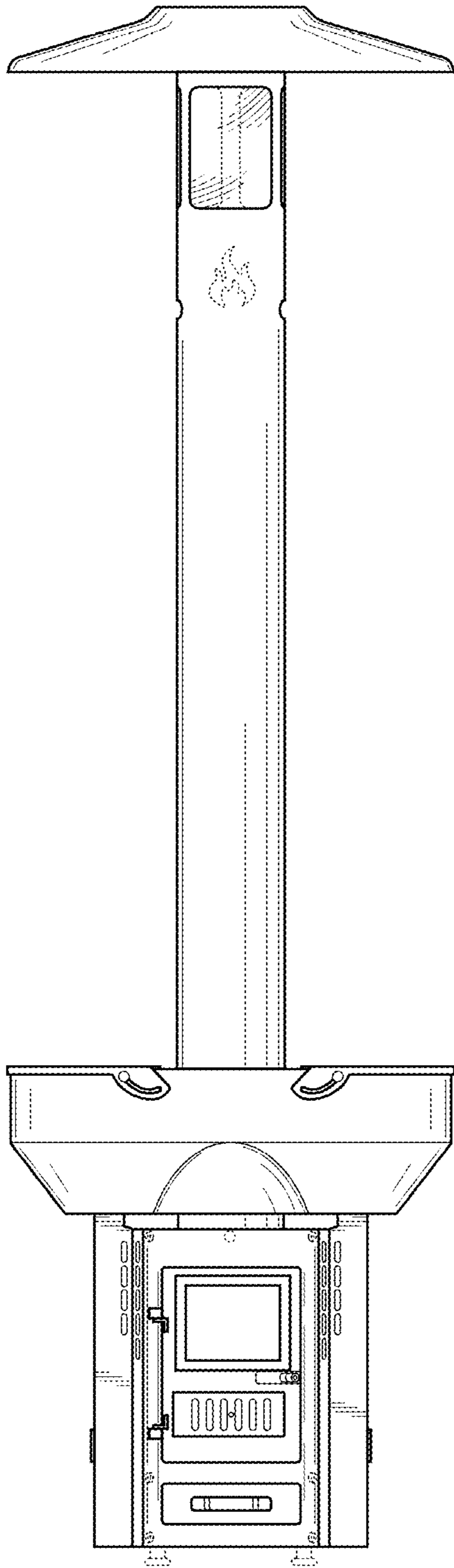


FIG. 2

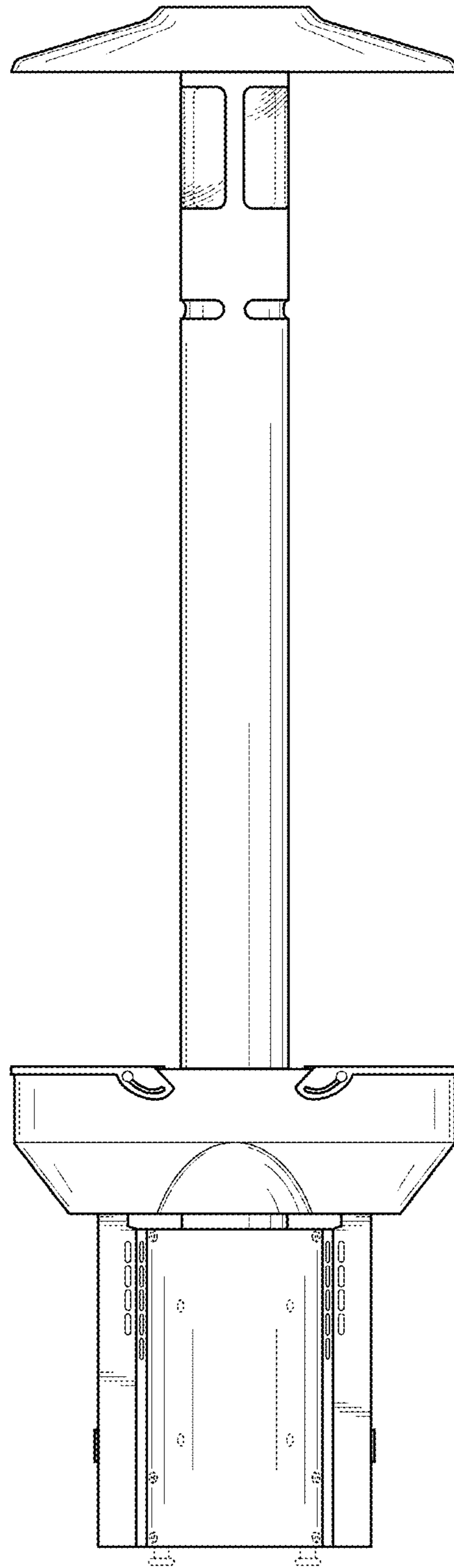
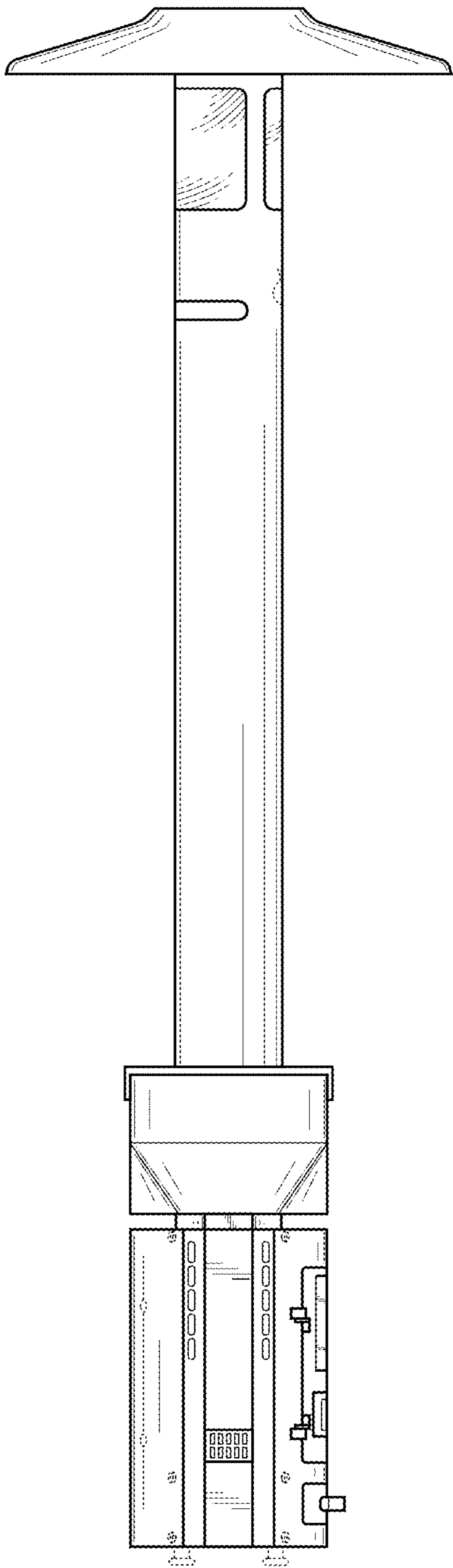
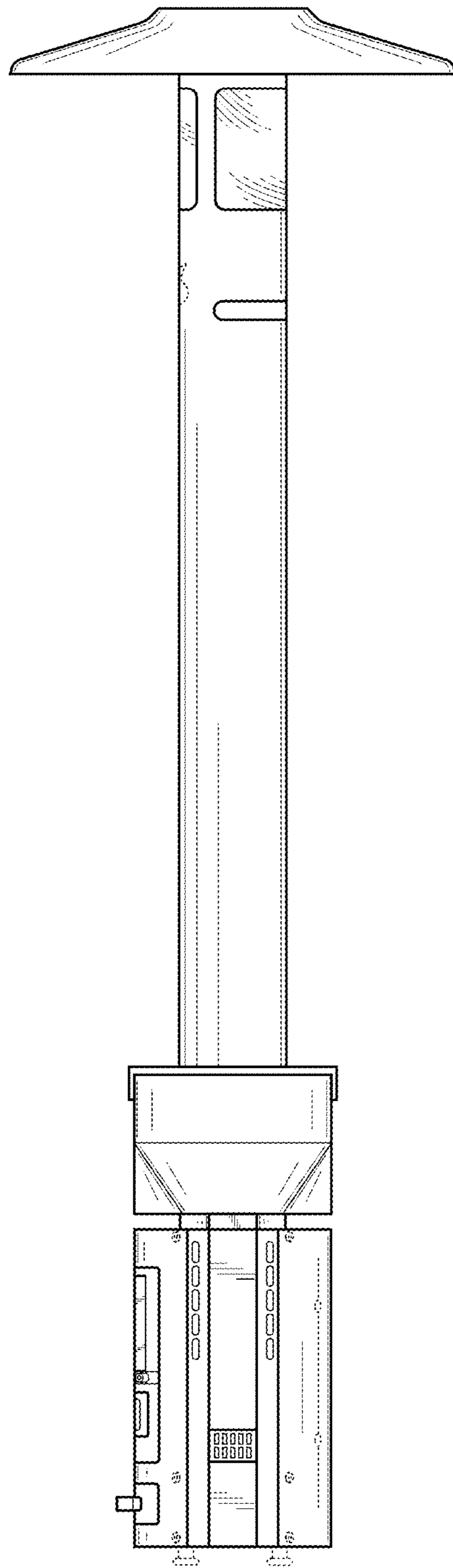


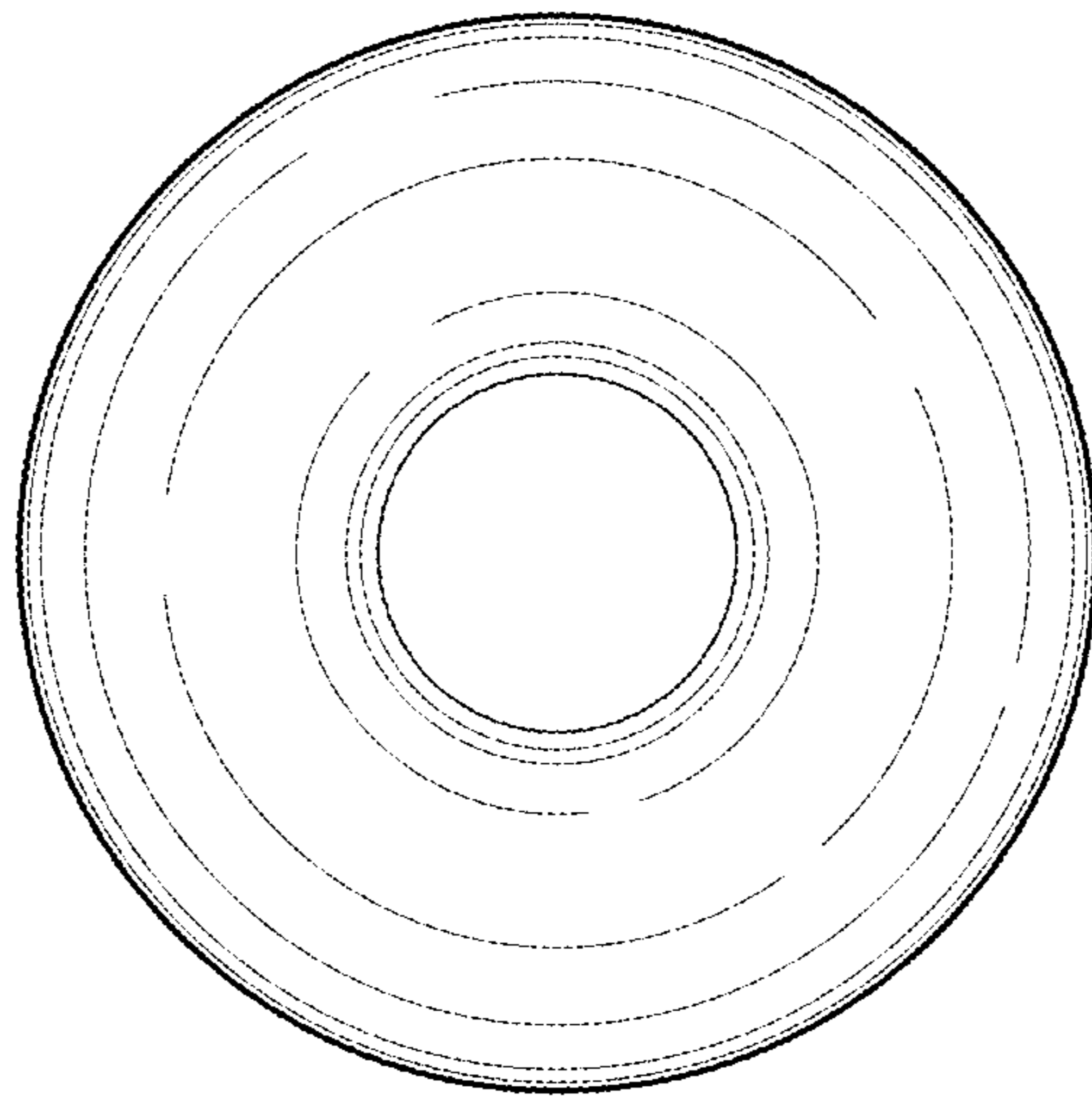
FIG. 3



**FIG. 4**



**FIG. 5**



**FIG. 6**