



US00D770601S

(12) **United States Design Patent** (10) **Patent No.:** **US D770,601 S**
Melo et al. (45) **Date of Patent:** **** Nov. 1, 2016**

- (54) **HOSE WITH SLEEVE**
- (71) Applicant: **TEKNOR APEX COMPANY**,
Pawtucket, RI (US)
- (72) Inventors: **Michael Melo**, North Dartmouth, MA
(US); **Timothy L. Chapman**, Stanton,
TN (US)
- (73) Assignee: **TEKNOR APEX COMPANY**,
Pawtucket, RI (US)
- (**) Term: **14 Years**
- (21) Appl. No.: **29/524,782**
- (22) Filed: **Apr. 23, 2015**
- (51) **LOC (10) Cl.** **23-01**
- (52) **U.S. Cl.**
USPC **D23/266**
- (58) **Field of Classification Search**
USPC D23/213, 247, 259-266, 269; D24/129;
D15/144; D32/25, 51-52; D8/80, 107
CPC F16L 37/088; F16L 37/0841; Y10S
285/921; A61M 2039/1027
See application file for complete search history.

(56) **References Cited**

U.S. PATENT DOCUMENTS

3,001,725	A	5/1958	Lockett	
3,413,021	A *	11/1968	Potts	F16L 37/025 285/319
4,489,961	A	12/1984	Laidig	
D296,581	S *	7/1988	Hattori	D23/262
D323,207	S *	1/1992	Cole	D23/266
5,143,409	A	9/1992	Lalikos	
5,181,750	A	1/1993	Reum	
5,286,068	A	2/1994	Wiebe	
5,333,650	A	8/1994	Folkman	
D354,554	S *	1/1995	Newman, Sr.	D23/266
D356,858	S	3/1995	Folkman	
5,608,963	A *	3/1997	Lefere	F16L 33/207 138/109

5,816,622	A	10/1998	Carter	
5,857,711	A *	1/1999	Comin-DuMong	B25B 13/06 285/115
6,068,622	A	5/2000	Sater et al.	
6,833,034	B1 *	12/2004	Thomas, Jr.	A47L 13/10 134/6
D501,539	S	2/2005	Dyer, III	
7,357,424	B2	4/2008	Powell et al.	
D624,161	S	9/2010	Zore	
8,033,302	B2 *	10/2011	Standal	B29C 70/08 138/109
8,096,588	B2	1/2012	Winzeler	
8,291,941	B1	10/2012	Berardi	
8,291,942	B2	10/2012	Berardi	
D671,196	S	11/2012	Montalvo et al.	
D707,334	S *	6/2014	Hernandez	D23/266
D719,646	S *	12/2014	Melo	D23/266
D719,647	S *	12/2014	Melo	D23/266
D720,051	S *	12/2014	Dole	D23/266

(Continued)

Primary Examiner — Eric Goodman

Assistant Examiner — Amy Wierenga

(74) *Attorney, Agent, or Firm* — Hudak, Shunk & Farine
Co. LPA

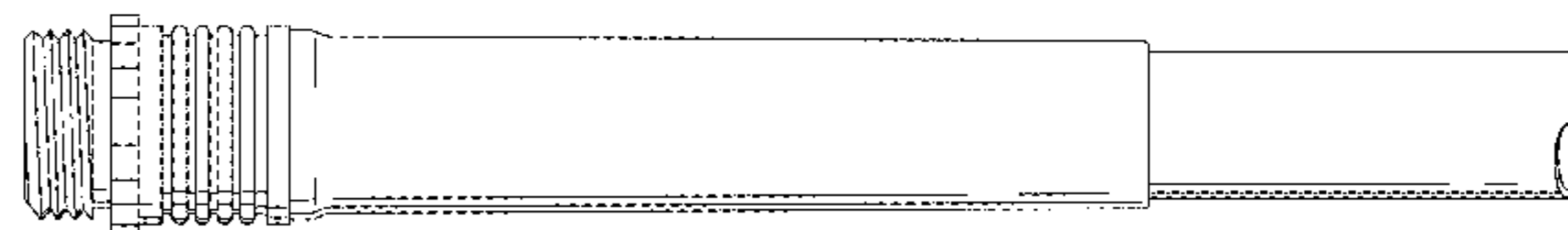
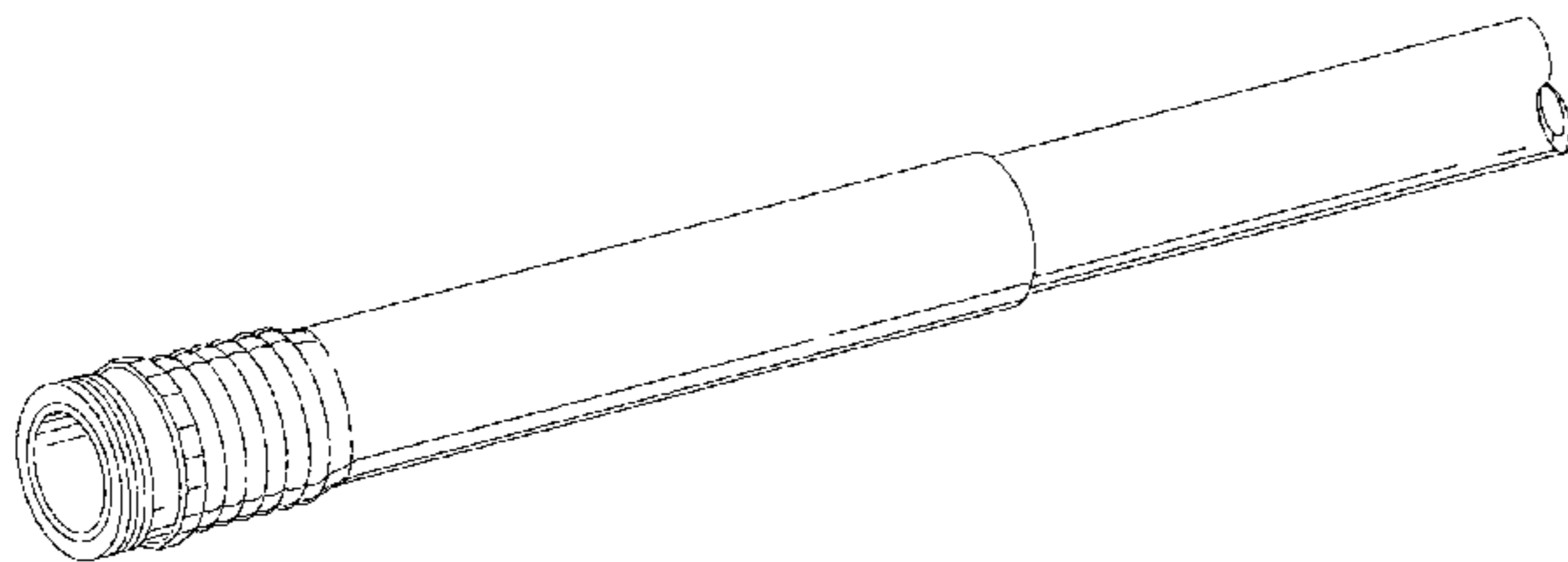
(57) **CLAIM**

The hose with sleeve, as shown and described.

DESCRIPTION

FIG. 1 is a front side perspective view of a hose including a hose sleeve;
 FIG. 2 is a rear side perspective view of the hose including a hose sleeve;
 FIG. 3 is a side view of a hose including a hose sleeve, the opposite side being a mirror image thereof;
 FIG. 4 is a front side perspective view of the hose sleeve;
 FIG. 5 is a rear side perspective view of the hose sleeve;
 FIG. 6 is a side view of the hose sleeve, the opposite side being a mirror image thereof;
 FIG. 7 is a front view of the hose sleeve; and,
 FIG. 8 is a rear view of the hose sleeve.

1 Claim, 3 Drawing Sheets



US D770,601 S

Page 2

(56)

References Cited

U.S. PATENT DOCUMENTS

D723,668 S *	3/2015	Locke	D23/266	D728,754 S *	5/2015	Hargens	D23/266
D723,670 S *	3/2015	Lorraine	D23/266	D733,269 S *	6/2015	Aramli	D23/266
D724,187 S *	3/2015	Savage	D23/266	2013/0064980 A1*	3/2013	Oyaizu	F16L 11/06 427/372.2
				2013/0113205 A1	5/2013	Berardi	

* cited by examiner

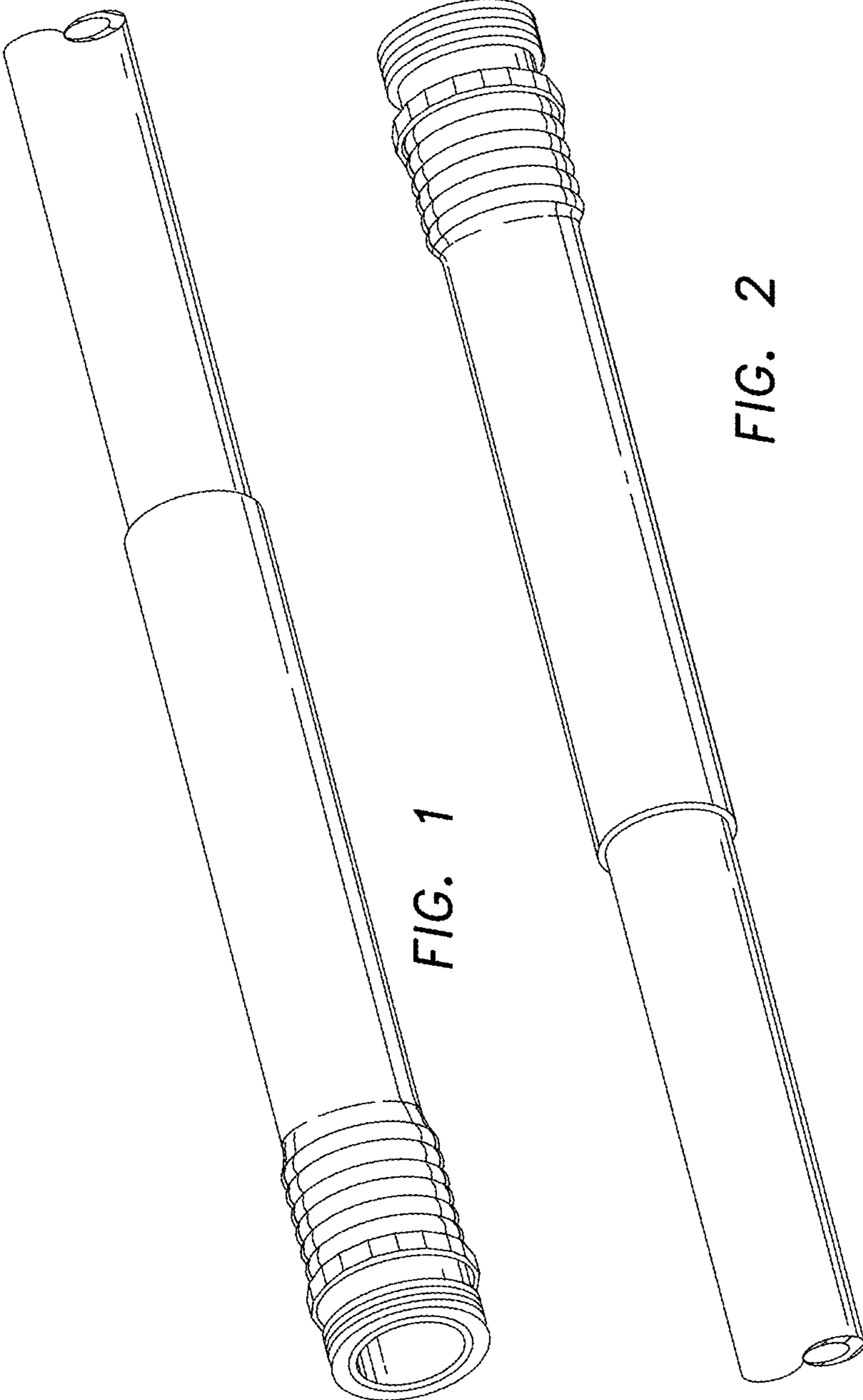


FIG. 1

FIG. 2

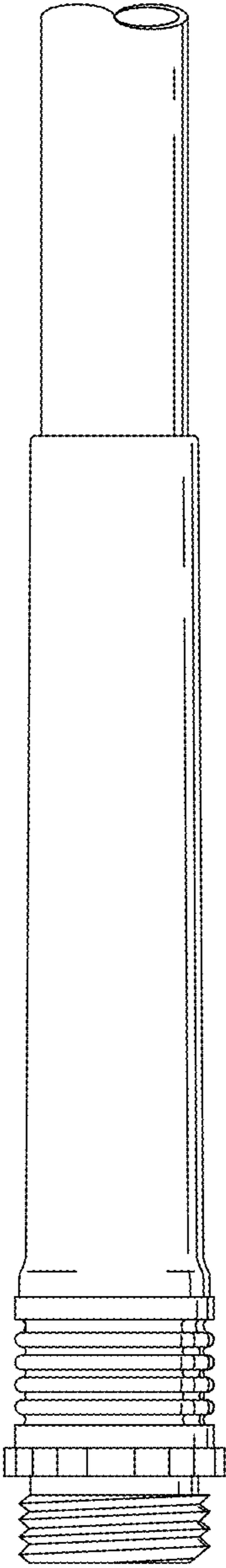


FIG. 3

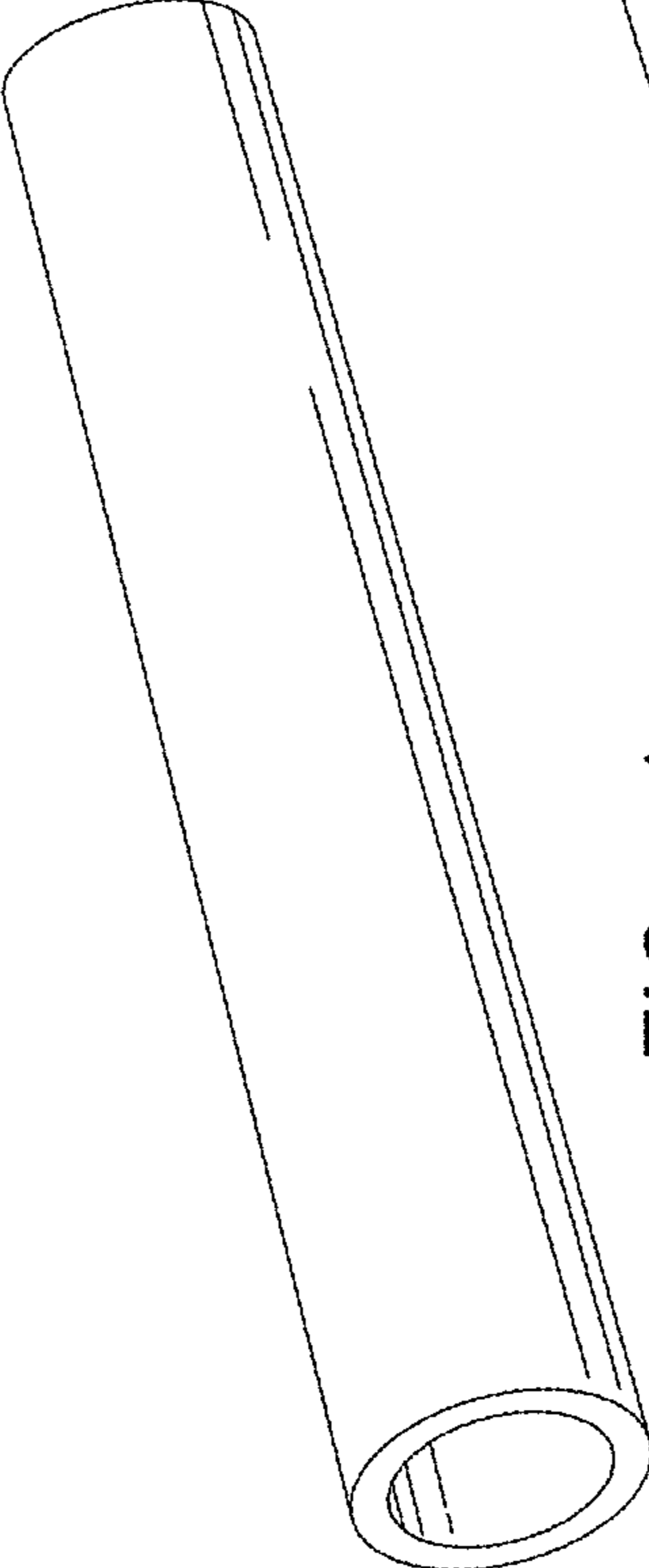


FIG. 4

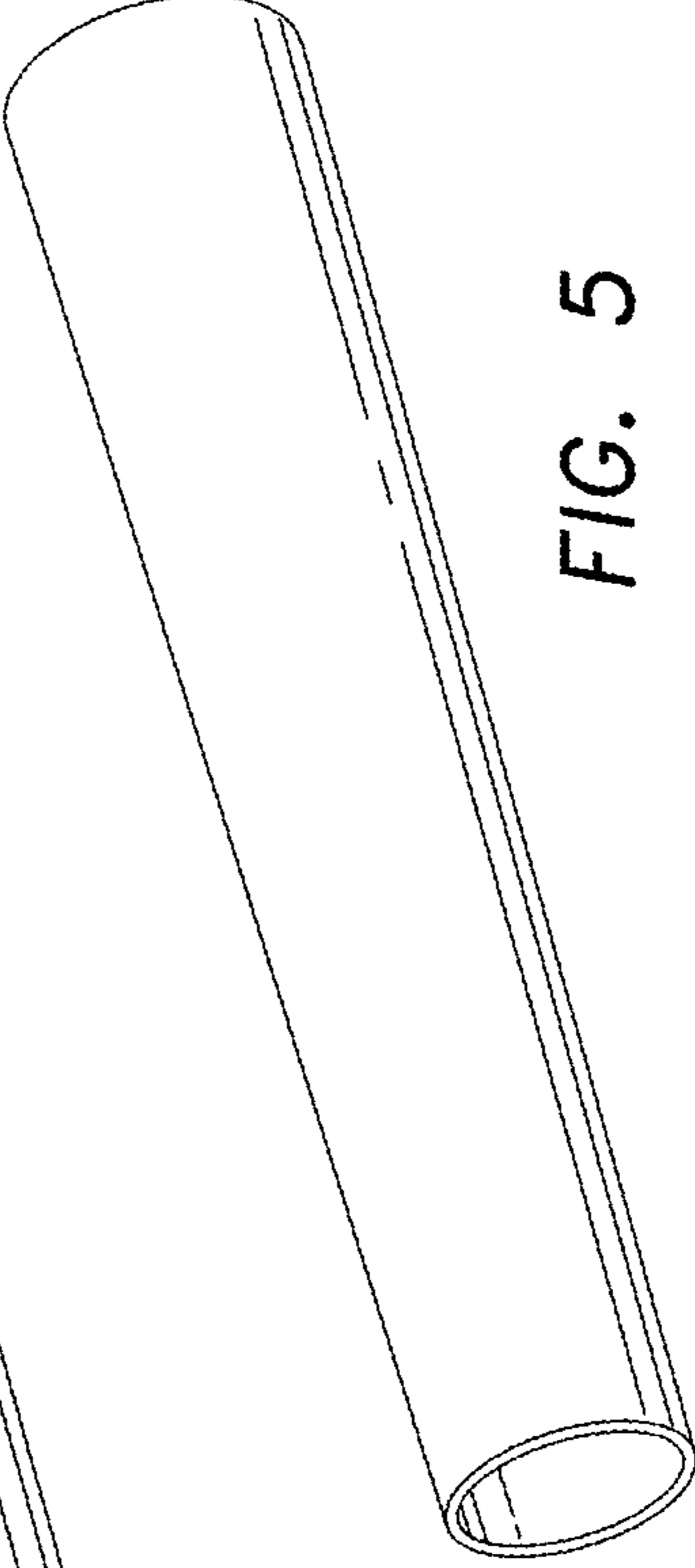


FIG. 5

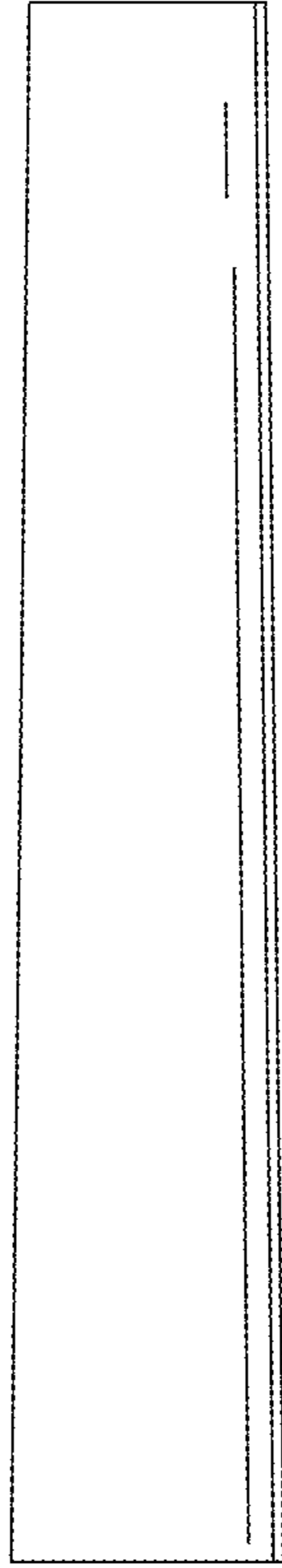


FIG. 6

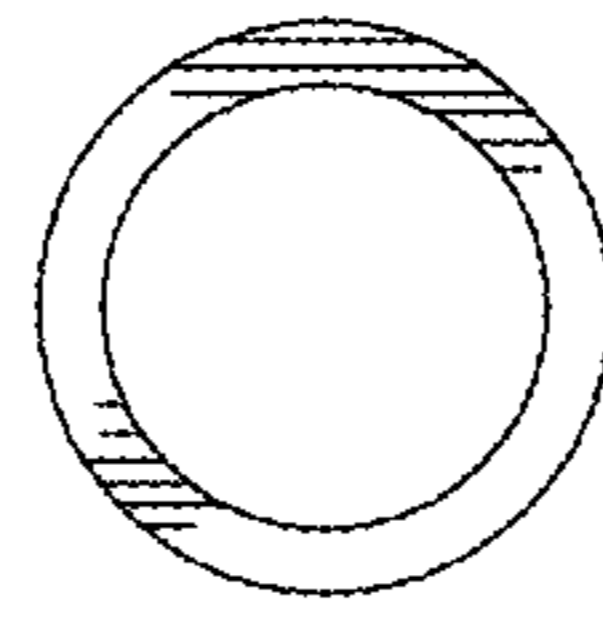


FIG. 7

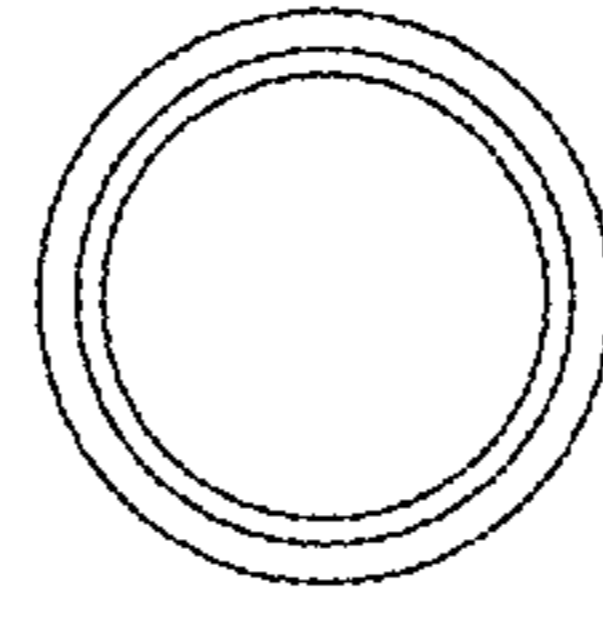


FIG. 8