



US00D770600S

(12) **United States Design Patent**
Daughters

(10) **Patent No.:** **US D770,600 S**

(45) **Date of Patent:** **** Nov. 1, 2016**

(54) **SANITARY TEE PIPE FITTING**

(71) Applicant: **Dana L. Daughters**, Geneva, OH (US)

(72) Inventor: **Dana L. Daughters**, Geneva, OH (US)

(73) Assignee: **GAMECHANGER FITTINGS, LLC**,
Geneva, OH (US)

(**) Term: **15 Years**

(21) Appl. No.: **29/540,079**

(22) Filed: **Sep. 21, 2015**

(51) **LOC (10) Cl.** **23-01**

(52) **U.S. Cl.**
USPC **D23/263**

(58) **Field of Classification Search**
USPC D23/259–263, 266, 268, 233, 264
CPC E03C 1/282; E21B 17/046; F16L 33/01;
F16L 33/225; F16L 33/222; F16L 21/04;
F16L 21/06; F16L 21/005; F16L 37/248;
F16L 37/32

See application file for complete search history.

(56) **References Cited**

U.S. PATENT DOCUMENTS

D22,865 S	*	10/1893	Pierce	D23/248
D28,572 S		5/1898	Rose		
D29,983 S		1/1899	Byrnes		
D31,553 S		9/1899	Glauber		
D33,224 S		9/1900	Thompson		
D56,439 S	*	10/1920	Klemme	D23/263
1,629,208 A		8/1925	Ernst		
2,121,558 A	*	6/1938	Coe	B21D 39/04 285/133.11
D244,937 S	*	7/1977	Houk	D23/259

D297,678 S	*	9/1988	Sisk	D23/262
D304,486 S	*	11/1989	Elder	D23/233
D343,889 S	*	2/1994	Stonecypher	D23/263
D431,634 S	*	10/2000	Mantz	D23/263
D454,940 S	*	3/2002	Hoenig	D23/259
D522,616 S	*	6/2006	Minnick	D23/233
D580,530 S	*	11/2008	McAlpine	D23/268
D590,481 S	*	4/2009	Stimpson	D23/262
D675,290 S		1/2013	Mitchell		
D676,533 S		2/2013	Clarke		
D720,048 S	*	12/2014	Winborn	D23/233
D722,140 S	*	2/2015	Sisk	D23/262
D755,940 S	*	5/2016	Schulze	D23/266

* cited by examiner

Primary Examiner — Eric Goodman

Assistant Examiner — Amy Wierenga

(74) *Attorney, Agent, or Firm* — Rankin, Hill & Clark
LLP

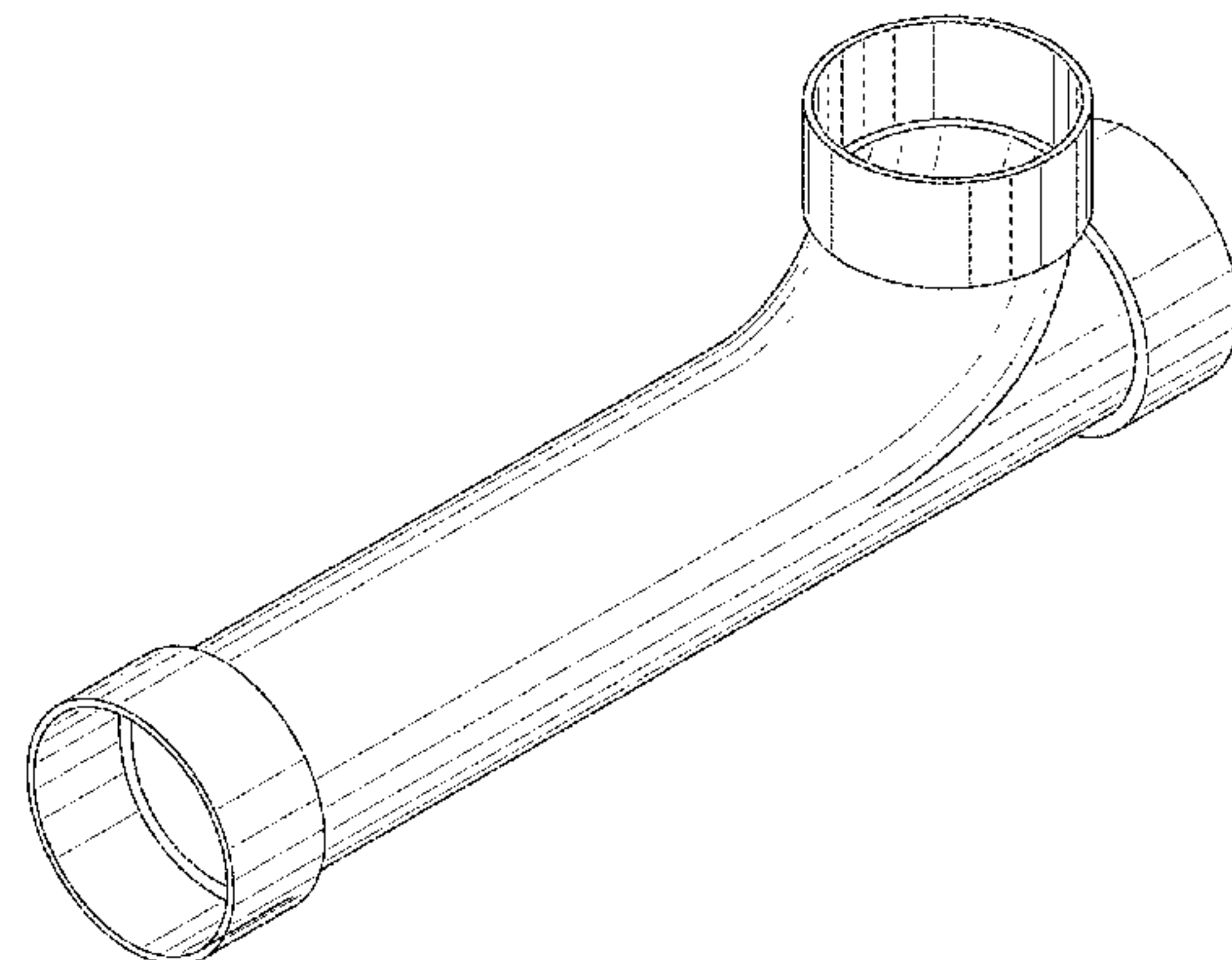
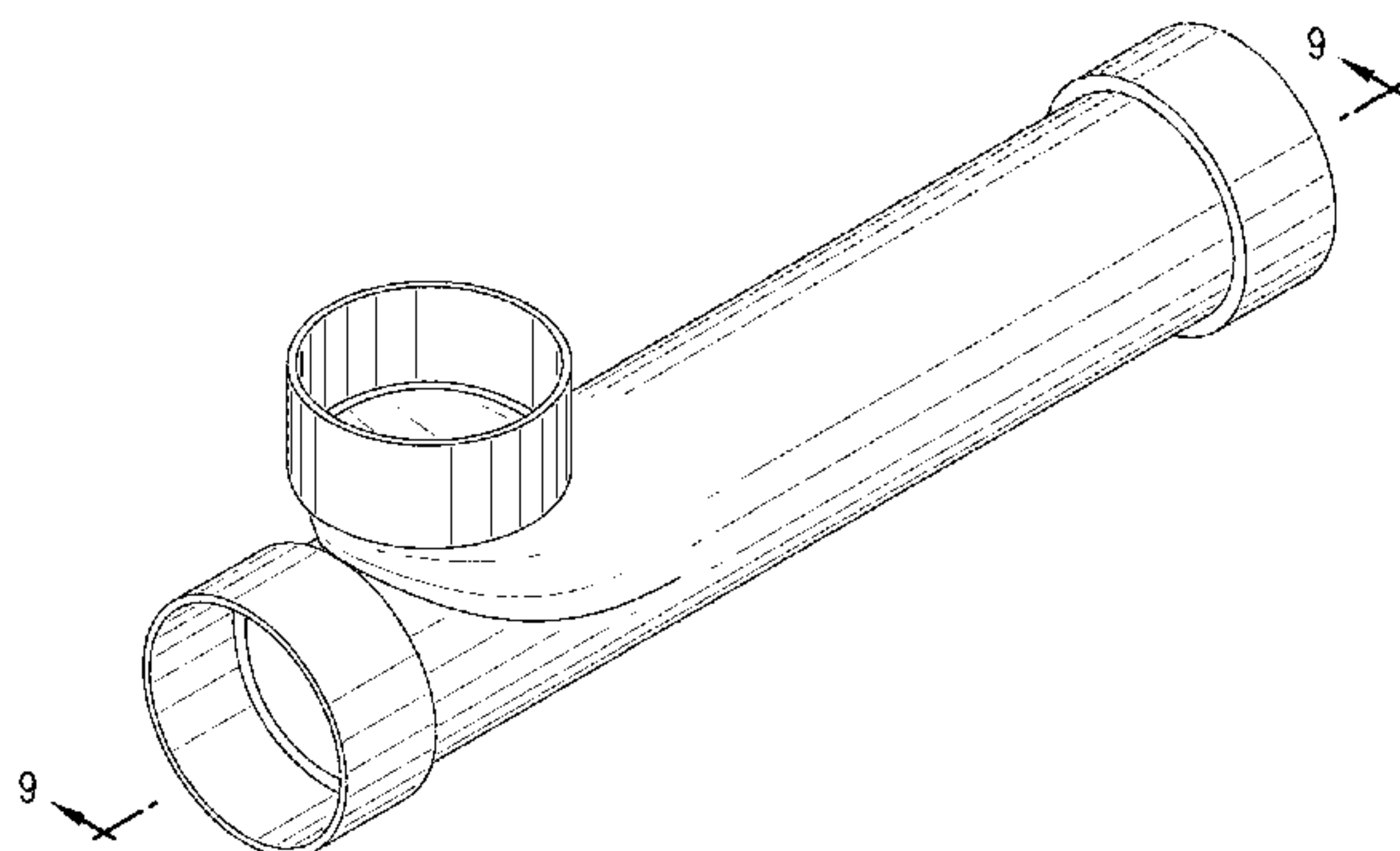
(57) **CLAIM**

The ornamental design for a sanitary tee pipe fitting, as shown and described.

DESCRIPTION

FIG. 1 is a front perspective view of a sanitary tee pipe fitting;
FIG. 2 is a rear perspective view thereof;
FIG. 3 is a left side elevation view thereof;
FIG. 4 is a right side elevation view thereof;
FIG. 5 is a rear elevation view thereof;
FIG. 6 is a front elevation view thereof;
FIG. 7 is a top plan view thereof;
FIG. 8 is a bottom plan view thereof; and,
FIG. 9 is a front sectional view thereof along line 9-9 of FIG. 1.

1 Claim, 8 Drawing Sheets



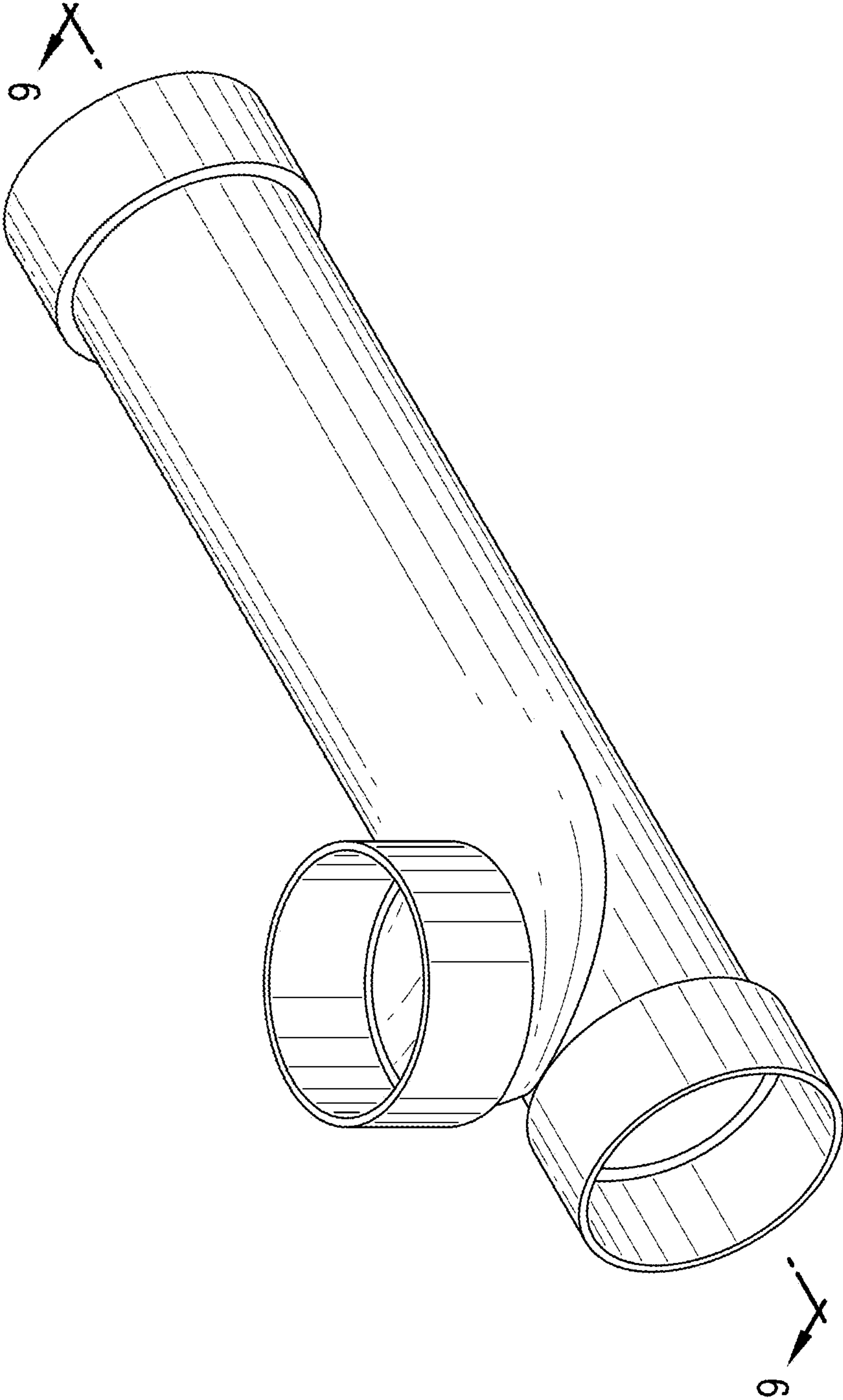


FIG.1

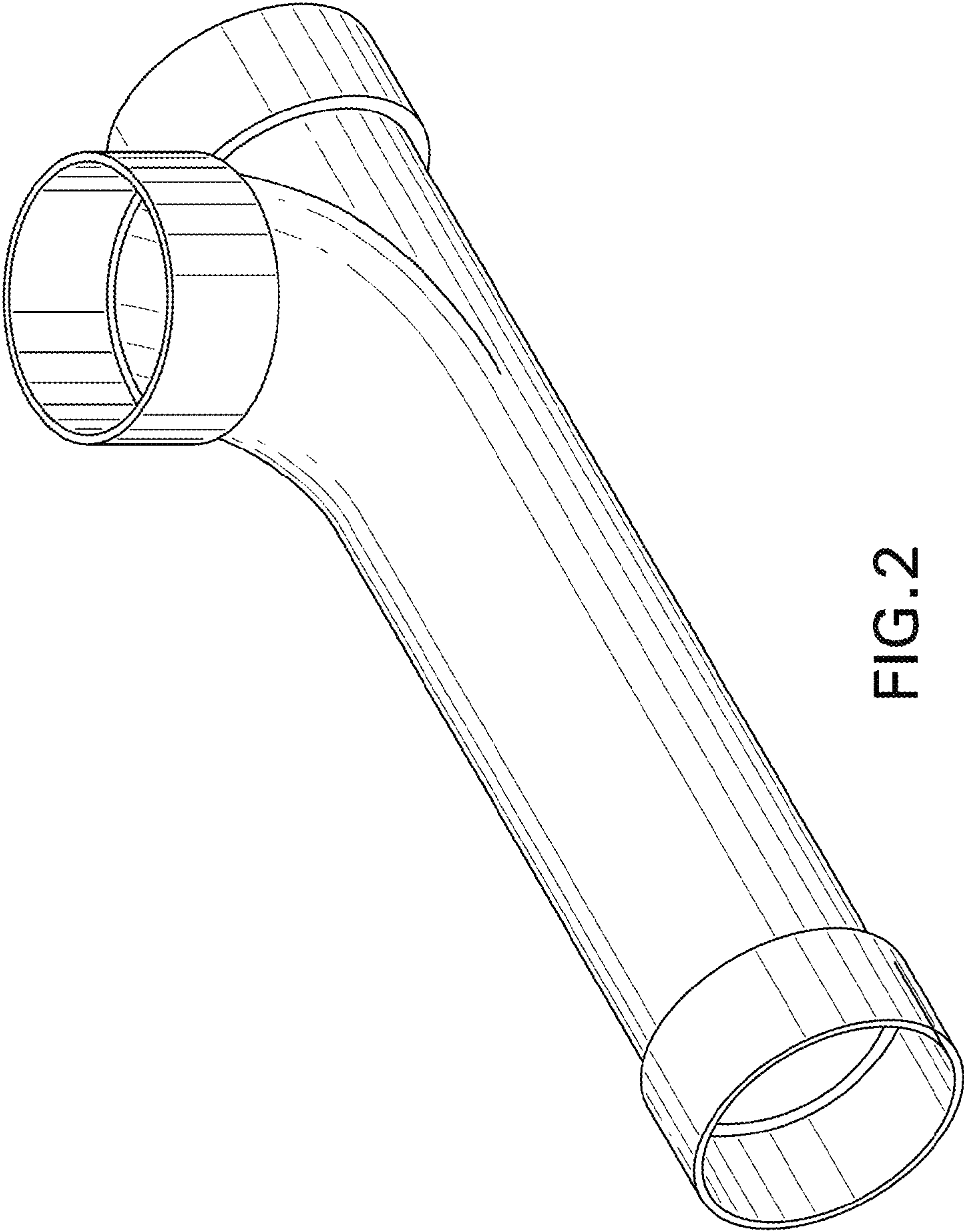


FIG. 2

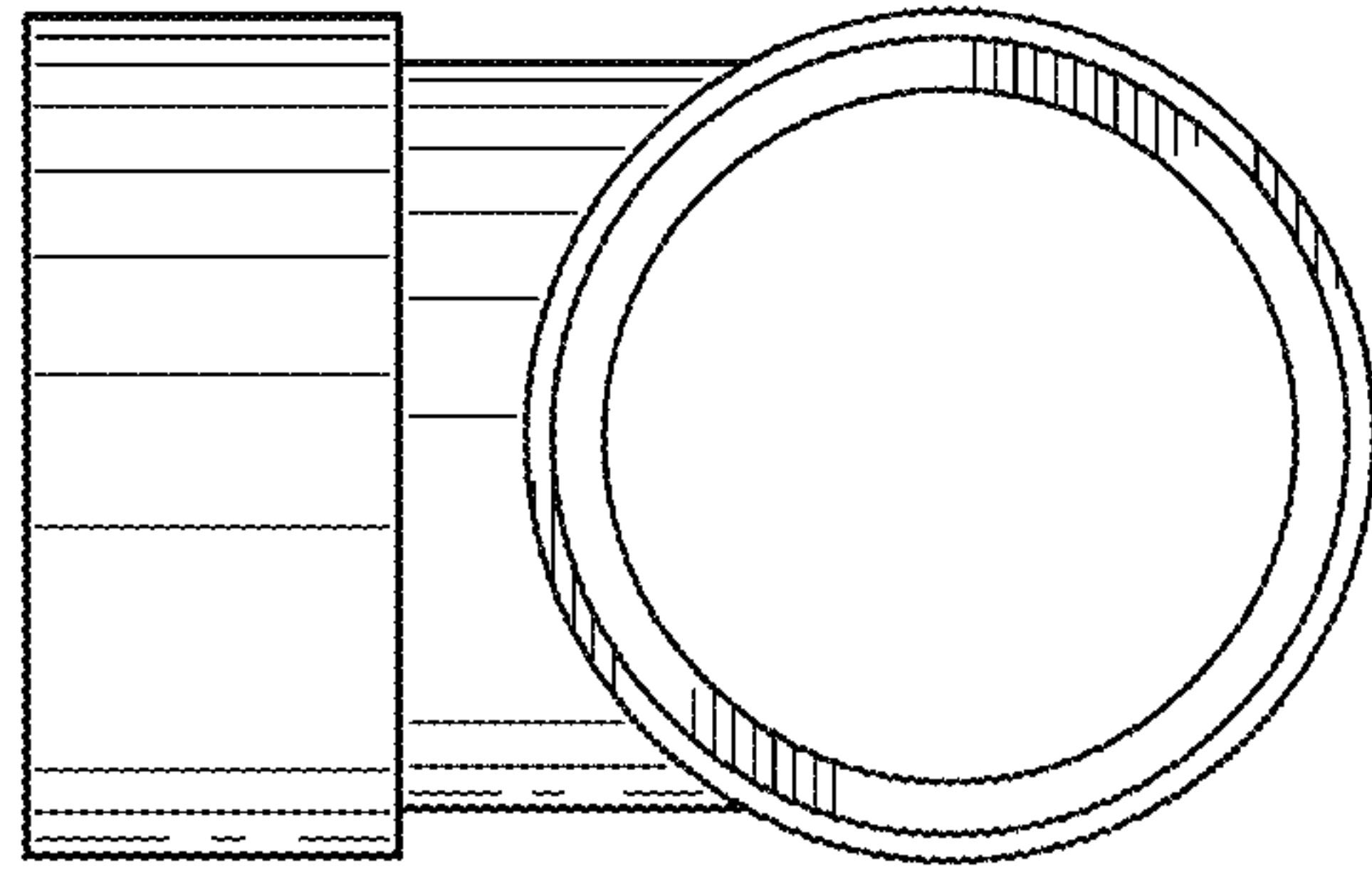


FIG. 4

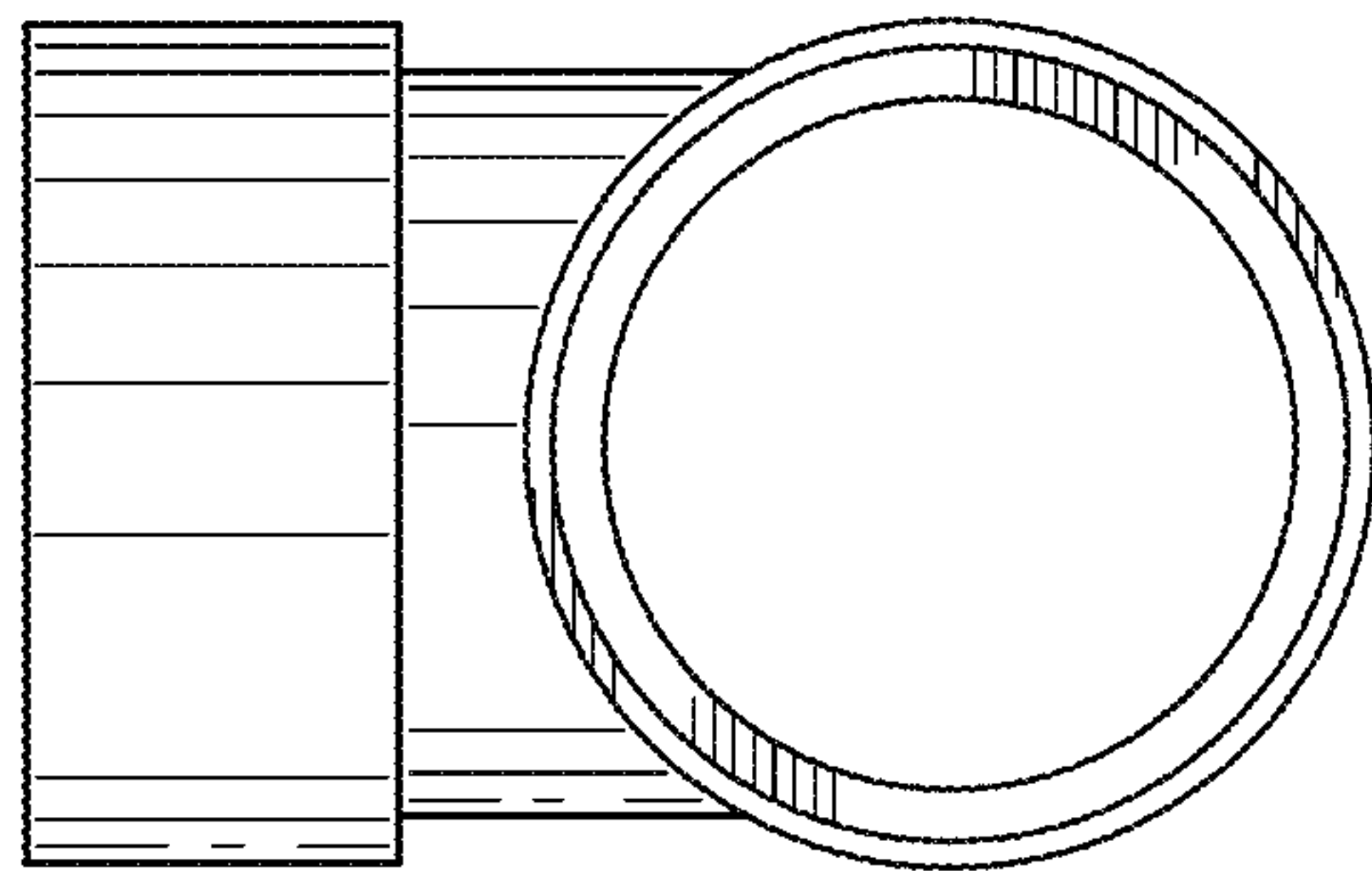


FIG. 3

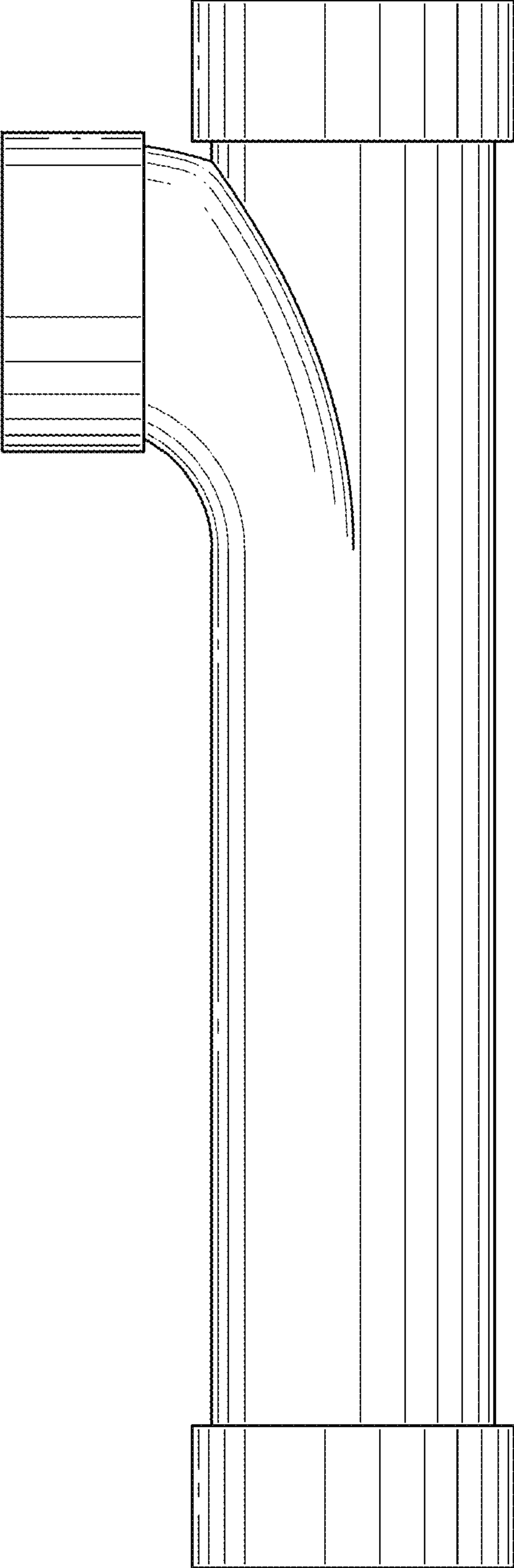


FIG. 5

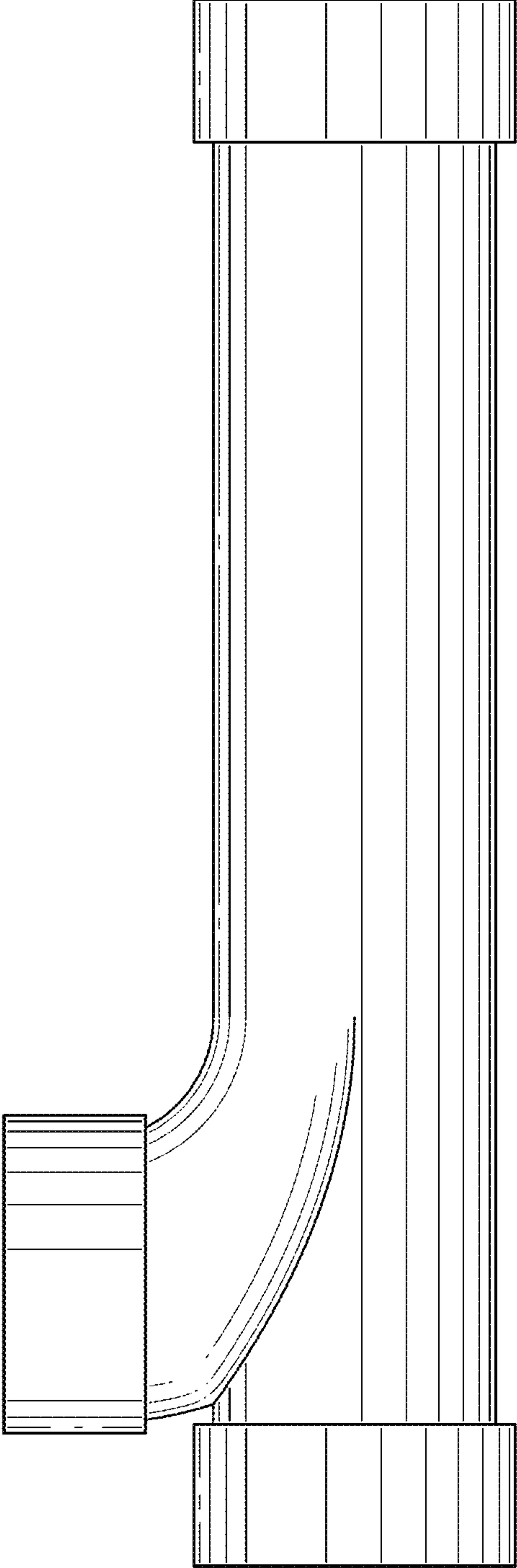


FIG.6

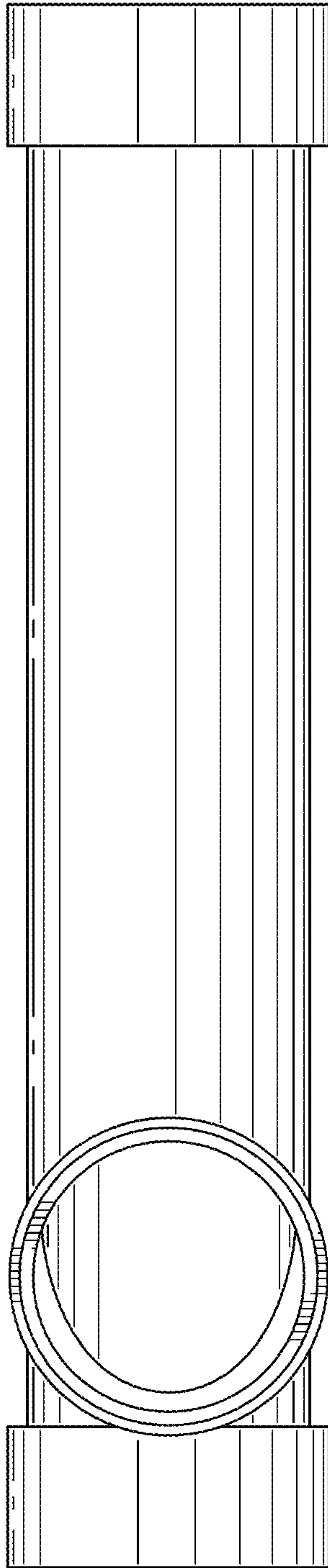


FIG. 7

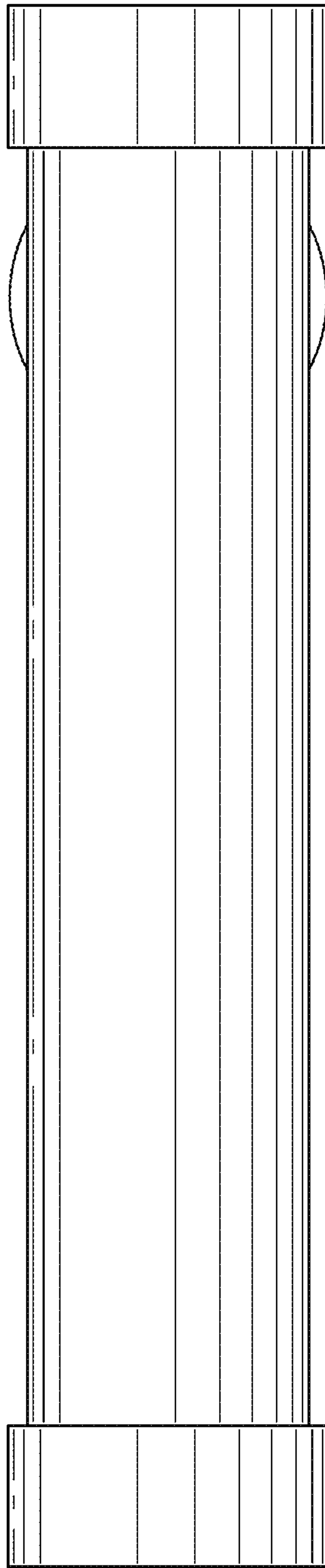


FIG.8

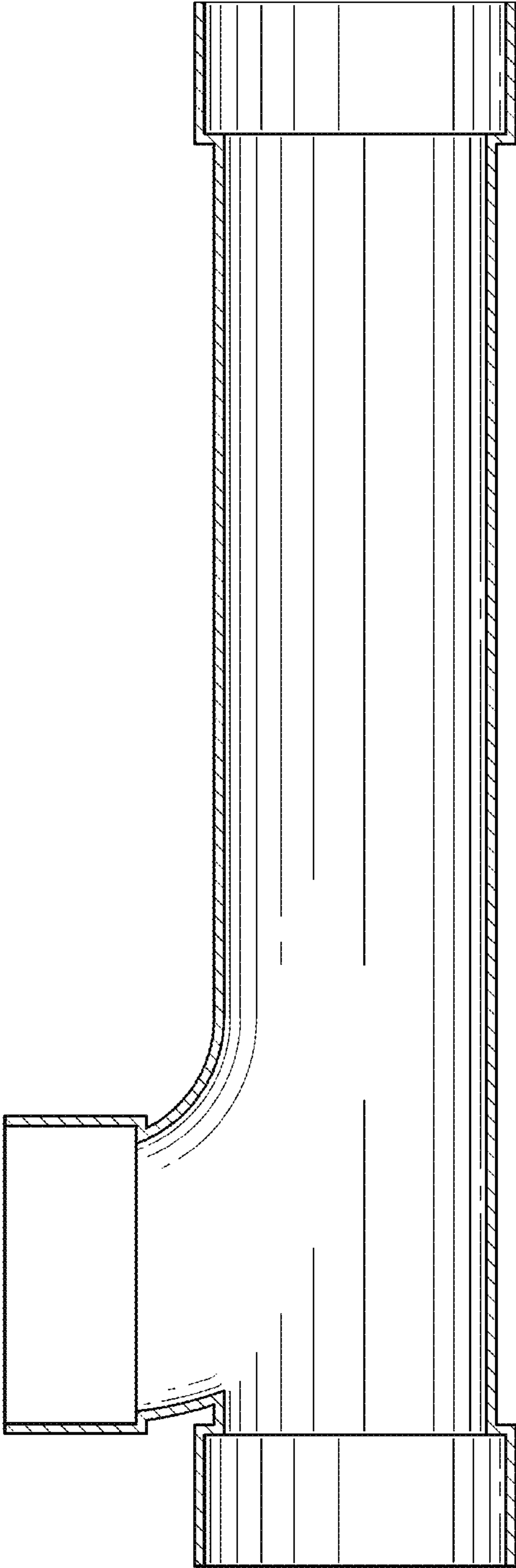


FIG. 9