



US00D770599S

(12) **United States Design Patent**  
**Daughters**

(10) **Patent No.:** **US D770,599 S**

(45) **Date of Patent:** **\*\* Nov. 1, 2016**

(54) **PIPE FITTING**

(71) Applicant: **Dana L. Daughters**, Geneva, OH (US)

(72) Inventor: **Dana L. Daughters**, Geneva, OH (US)

(73) Assignee: **GAMECHANGER FITTINGS, LLC**,  
Geneva, OH (US)

(\*\*) Term: **15 Years**

(21) Appl. No.: **29/529,921**

(22) Filed: **Jun. 11, 2015**

(51) **LOC (10) Cl.** ..... **23-01**

(52) **U.S. Cl.**  
USPC ..... **D23/263; D23/259**

(58) **Field of Classification Search**  
USPC ..... D23/259-263, 266, 268, 233, 264  
CPC ..... E03C 1/282; E21B 17/046; F16L 33/01;  
F16L 33/225; F16L 33/222; F16L 21/04;  
F16L 21/06; F16L 21/005; F16L 37/248;  
F16L 37/32

See application file for complete search history.

(56) **References Cited**

**U.S. PATENT DOCUMENTS**

D22,865 S	*	10/1893	Pierce	.....	D23/248
D28,572 S		5/1898	Rose		
D29,983 S		1/1899	Byrnes		
D31,553 S		9/1899	Glauber		
D33,224 S		9/1900	Thompson		
D56,439 S	*	10/1920	Klemme	.....	D23/263
1,629,208 A		8/1925	Ernst		
4,031,914 A	*	6/1977	Neri	.....	E03C 1/284 137/247.51

D244,937 S	*	7/1977	Houk	.....	D23/259
D304,486 S	*	11/1989	Elder	.....	D23/233
D343,889 S	*	2/1994	Stonecypher	.....	D23/263
D348,723 S	*	7/1994	Carroll	.....	D23/263
D435,637 S	*	12/2000	Wales	.....	D23/263
D454,940 S	*	3/2002	Hoenig	.....	D23/259
D522,616 S	*	6/2006	Minnick	.....	D23/233
D580,530 S	*	11/2008	McAlpine	.....	D23/268
D590,481 S	*	4/2009	Stimpson	.....	D23/262
D659,809 S	*	5/2012	Smith	.....	D23/268
D675,290 S		1/2013	Mitchell		
D676,533 S		2/2013	Clarke		

\* cited by examiner

*Primary Examiner* — Eric Goodman

*Assistant Examiner* — Amy Wierenga

(74) *Attorney, Agent, or Firm* — Rankin, Hill & Clark  
LLP

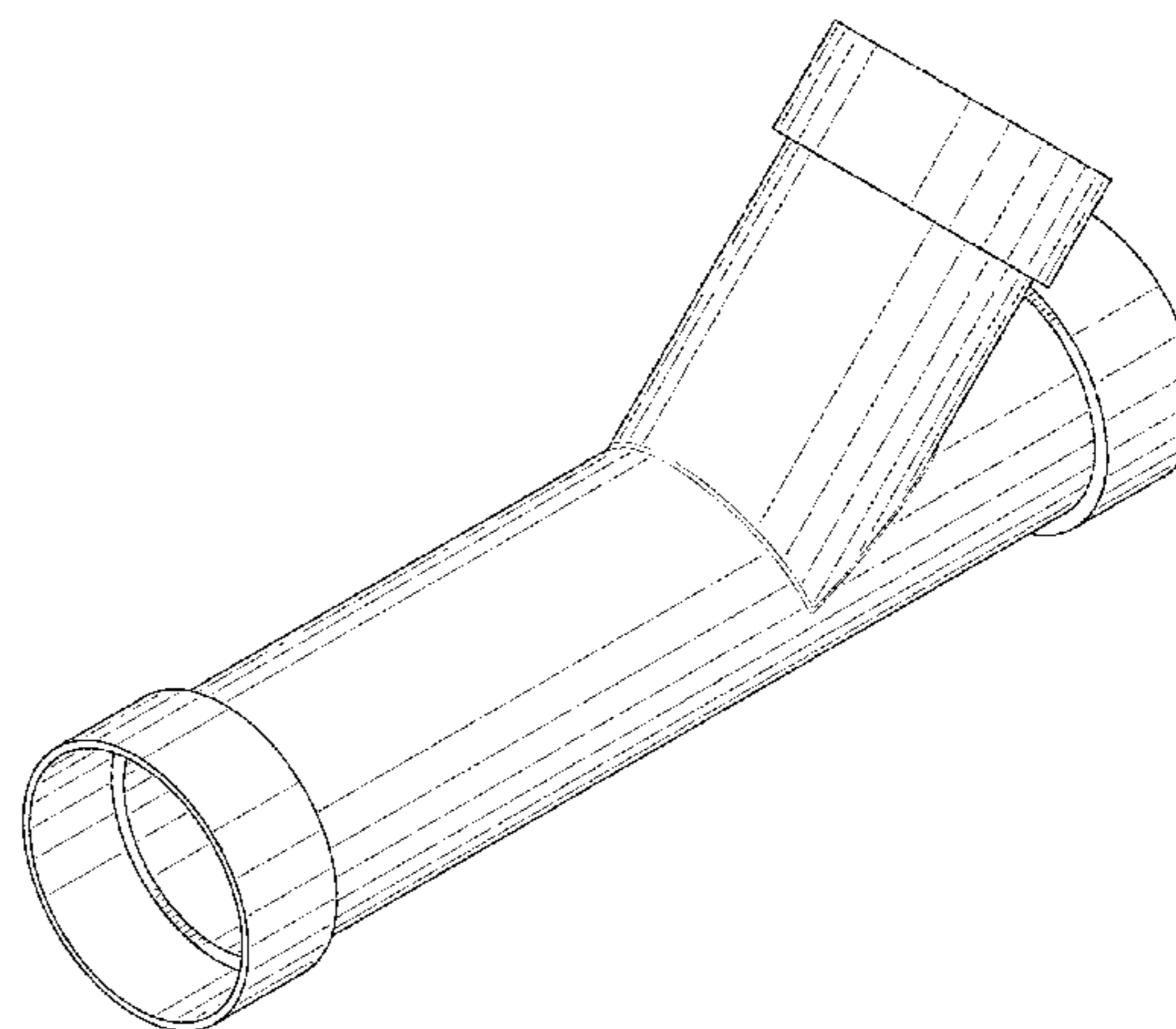
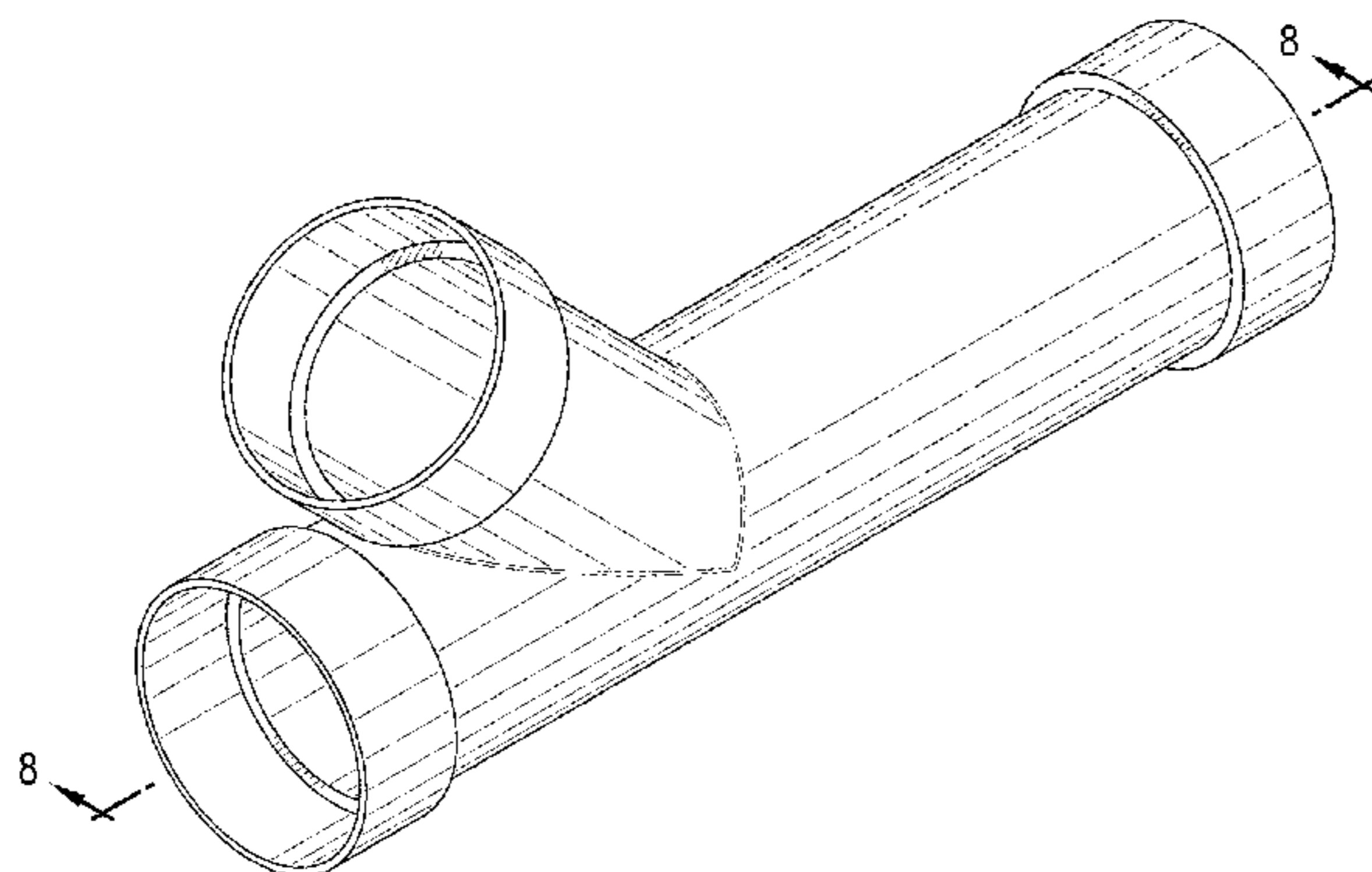
(57) **CLAIM**

The ornamental design for a pipe fitting, as shown and described.

**DESCRIPTION**

FIG. 1 is a front perspective view of a pipe fitting;  
FIG. 2 is a rear perspective view thereof;  
FIG. 3 is a left side elevation view thereof;  
FIG. 4 is a right side elevation view thereof;  
FIG. 5 is a front elevation view thereof, with the rear elevation view being a mirror image;  
FIG. 6 is a top plan view thereof;  
FIG. 7 is a bottom plan view thereof; and,  
FIG. 8 is a front sectional view thereof along line 8-8 of FIG. 1.

**1 Claim, 7 Drawing Sheets**



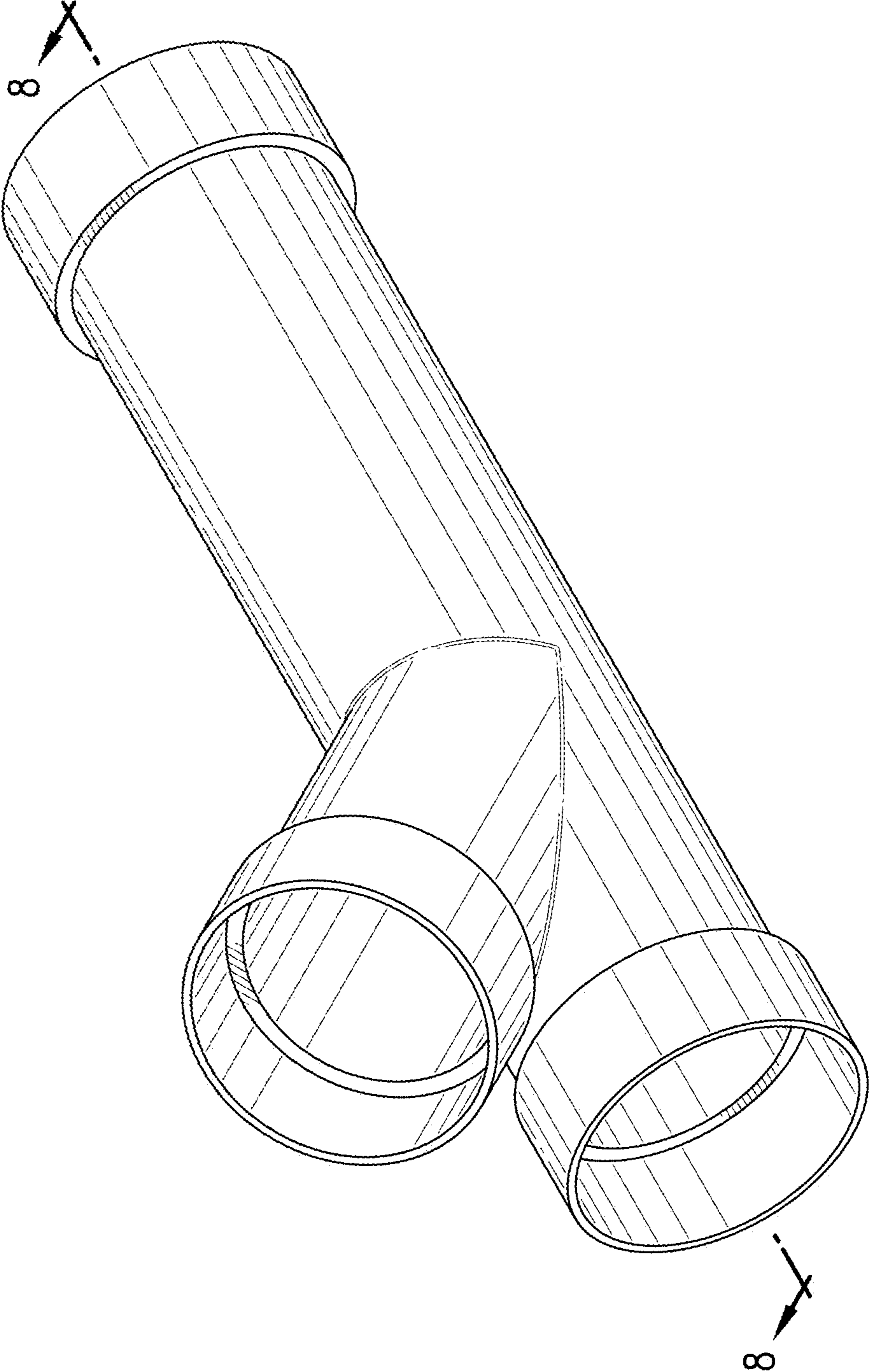


FIG. 1

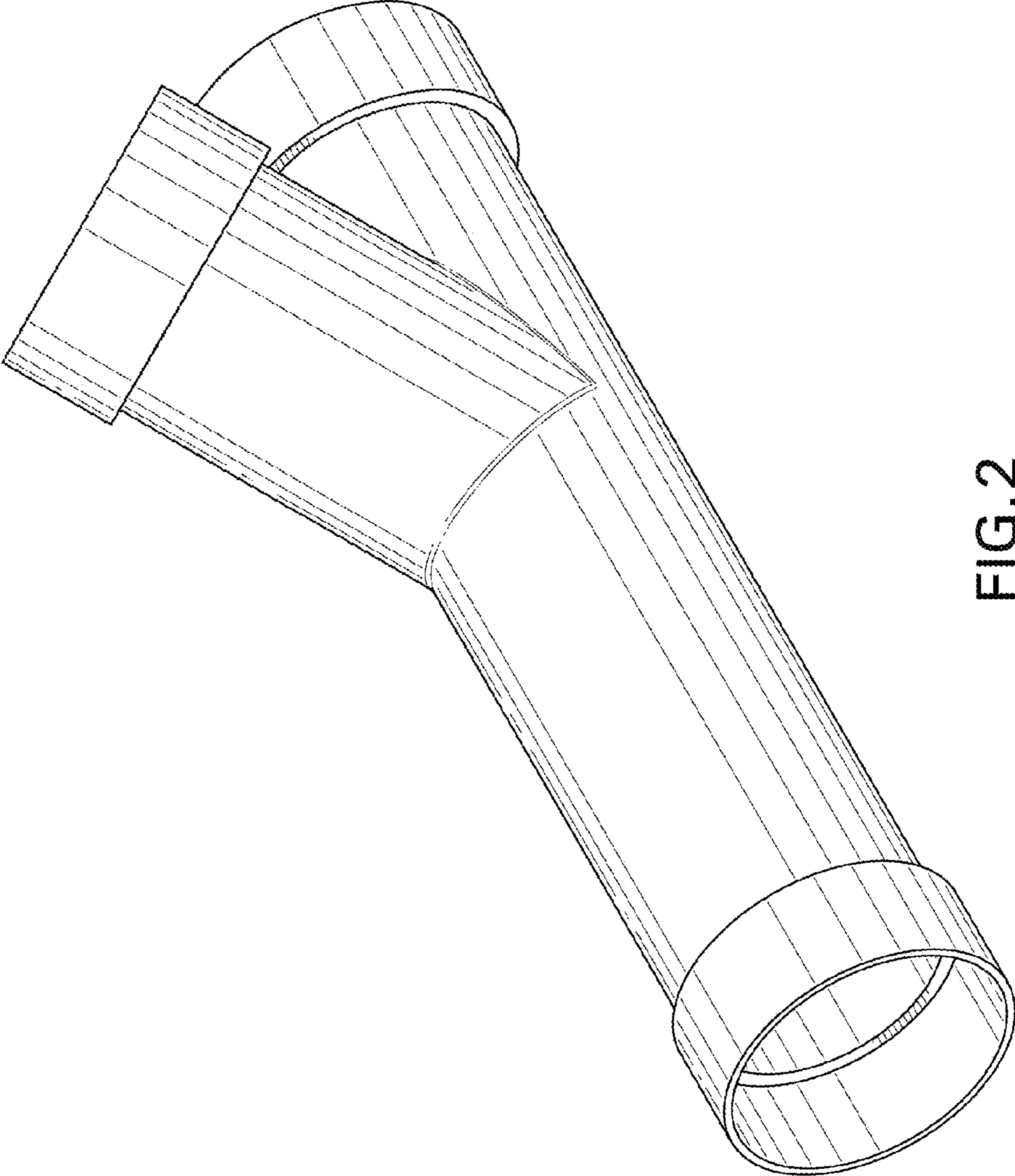


FIG.2

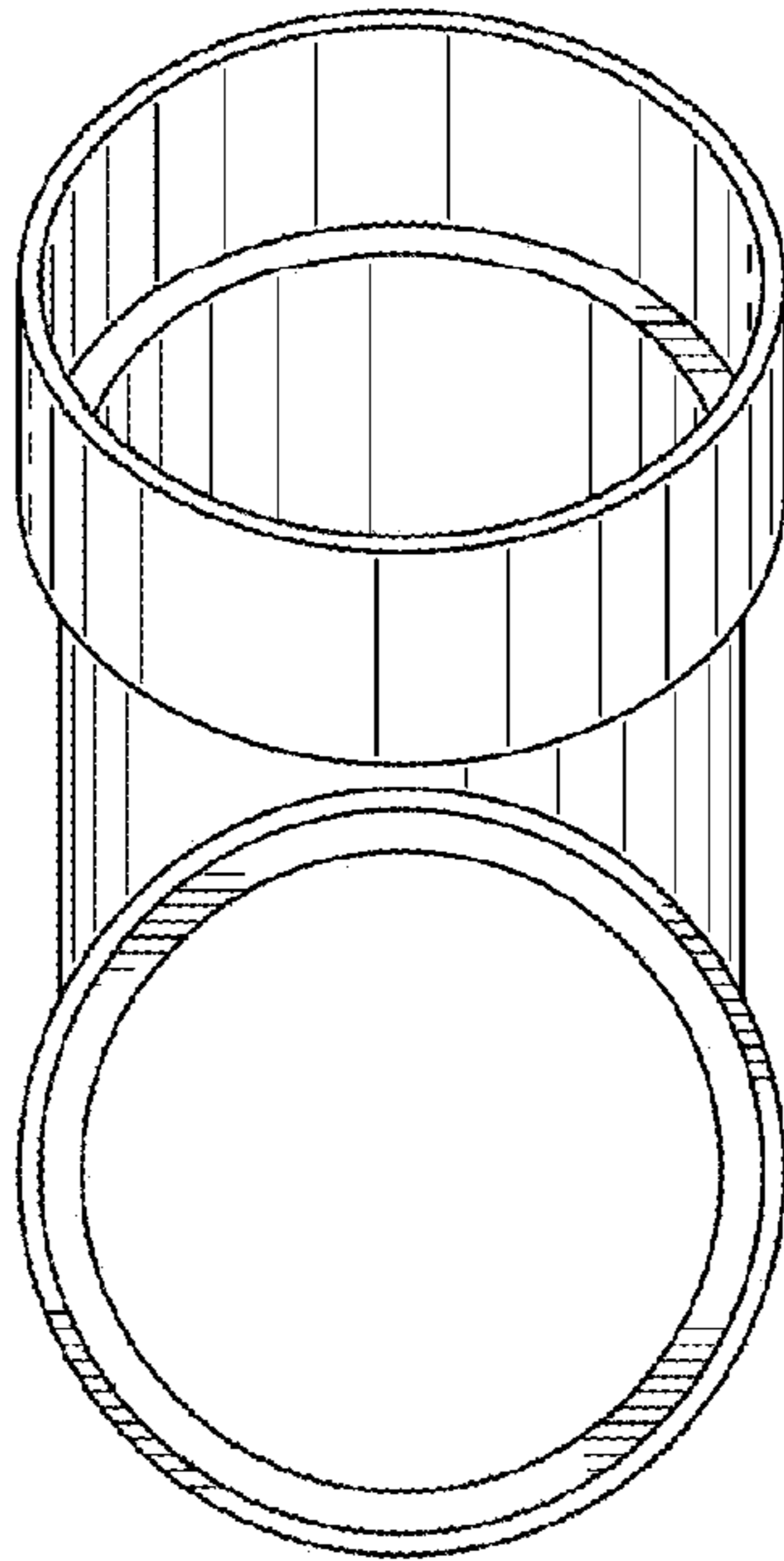


FIG. 3

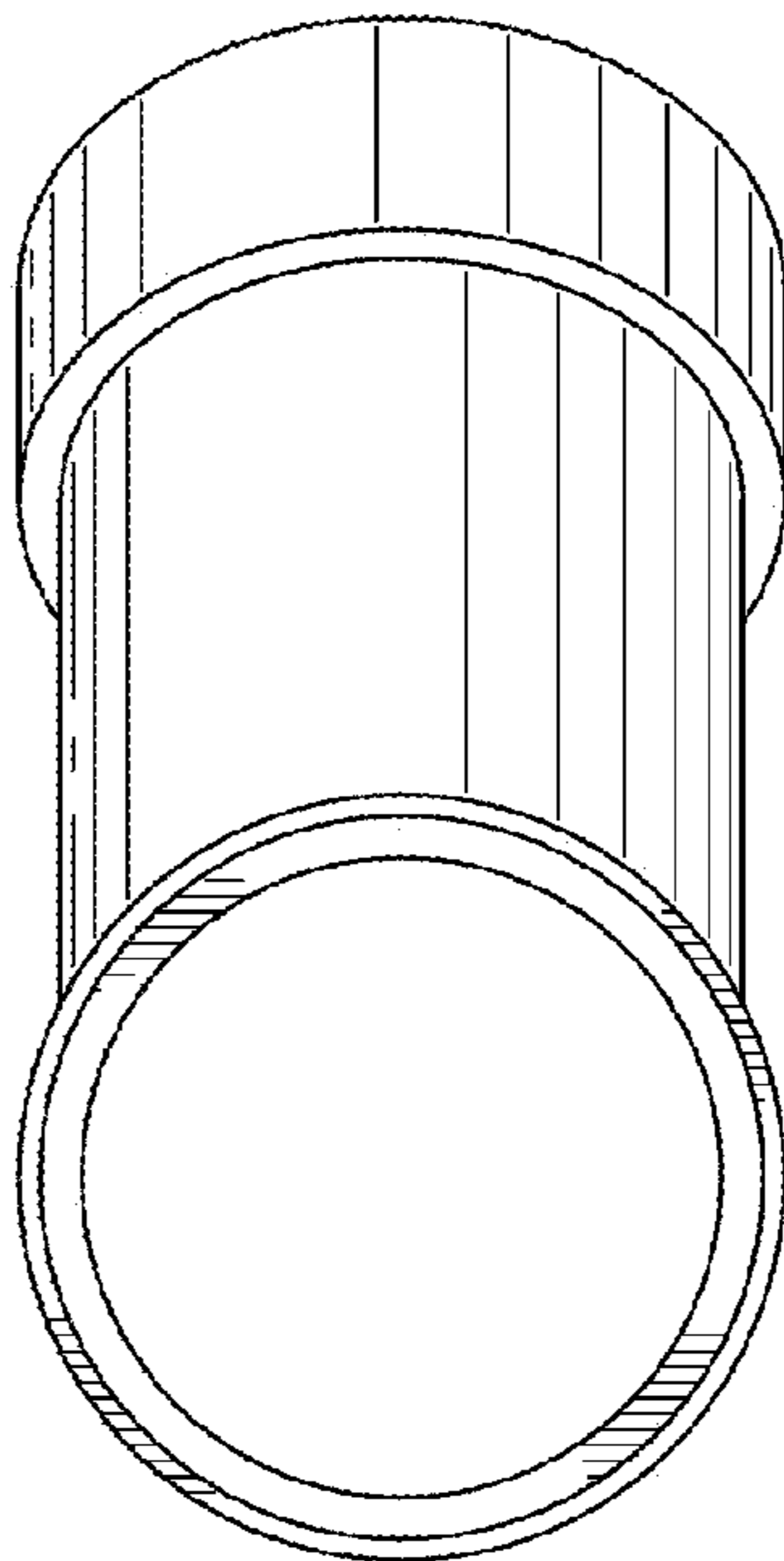


FIG. 4

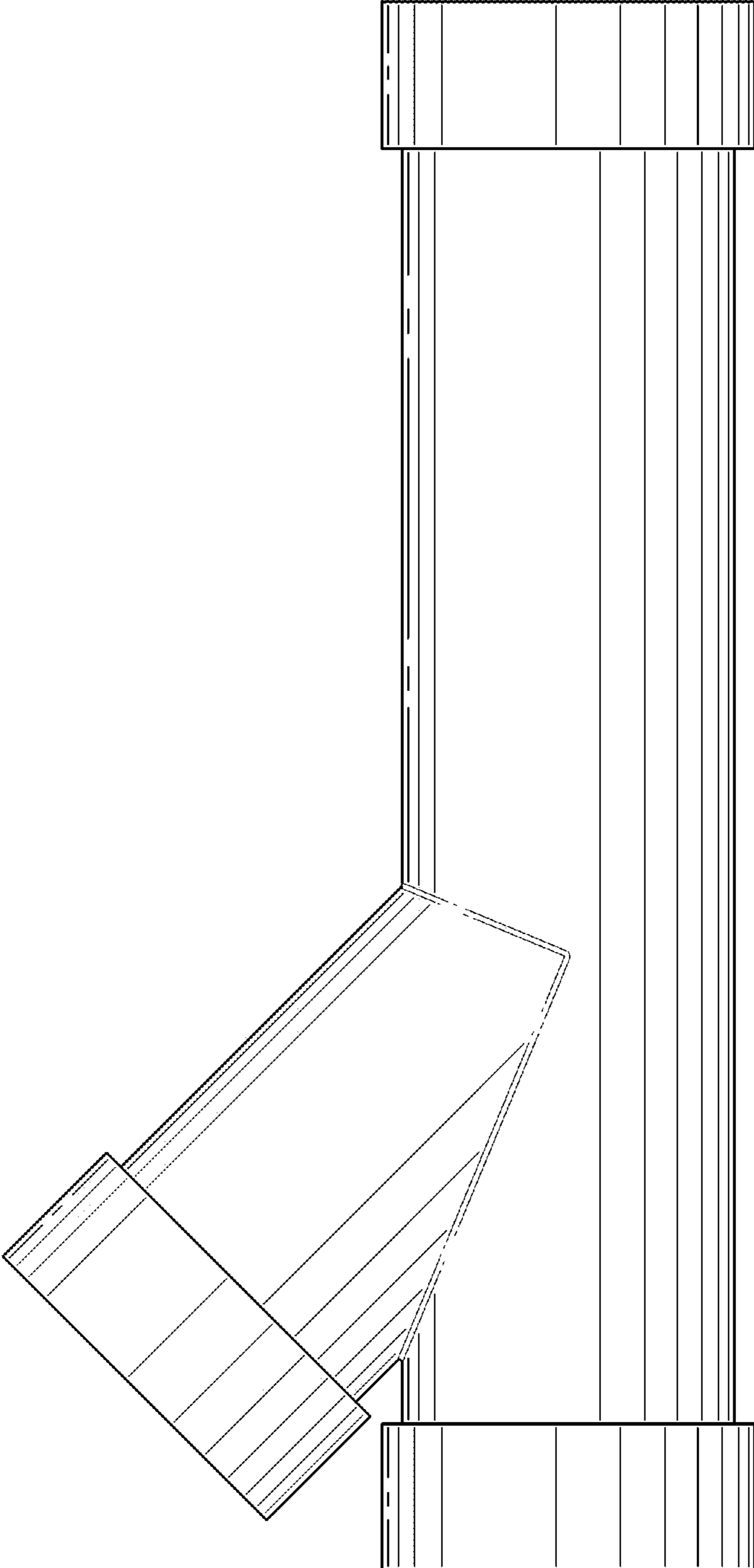


FIG. 5

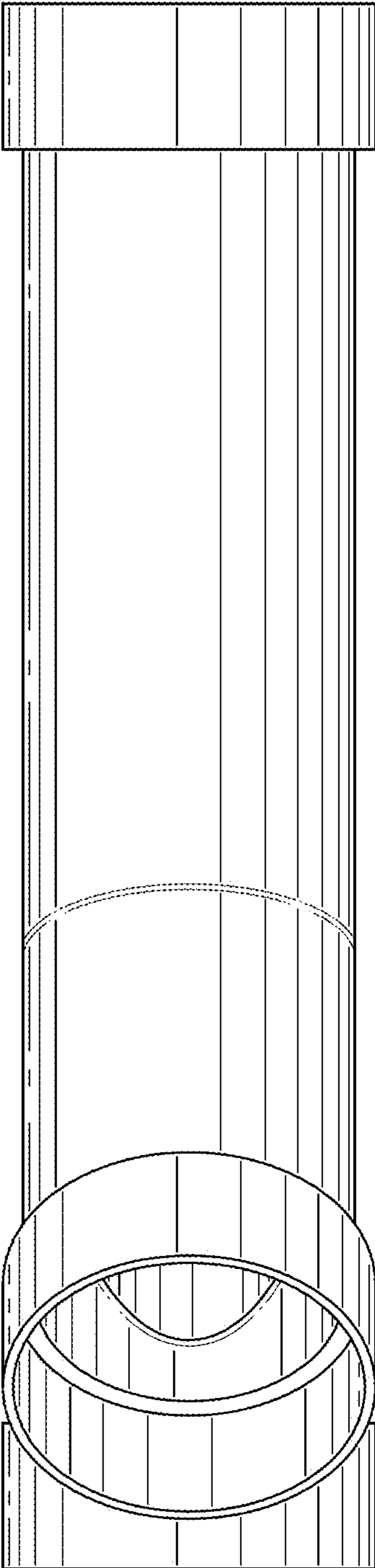


FIG. 6

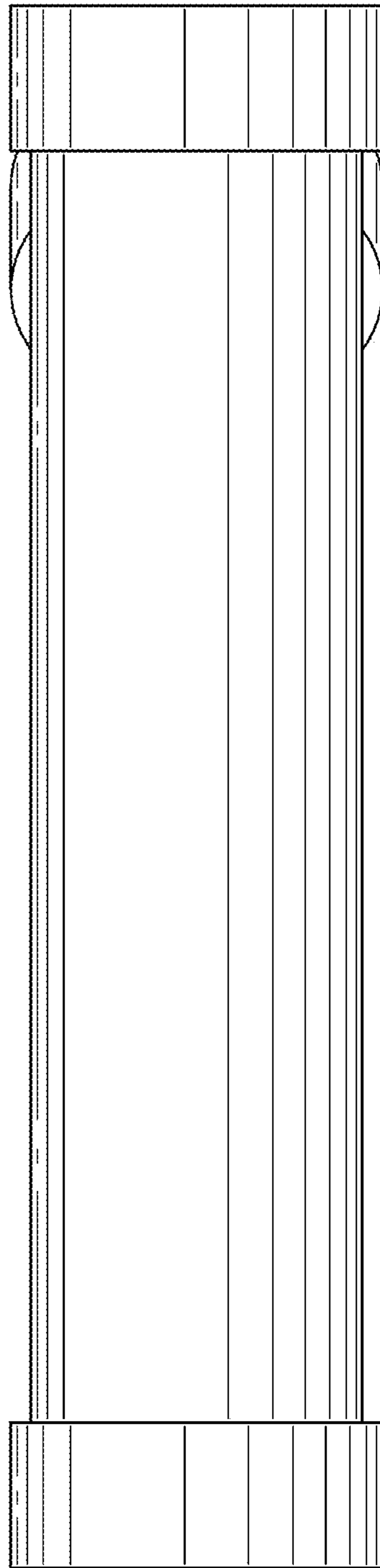


FIG. 7

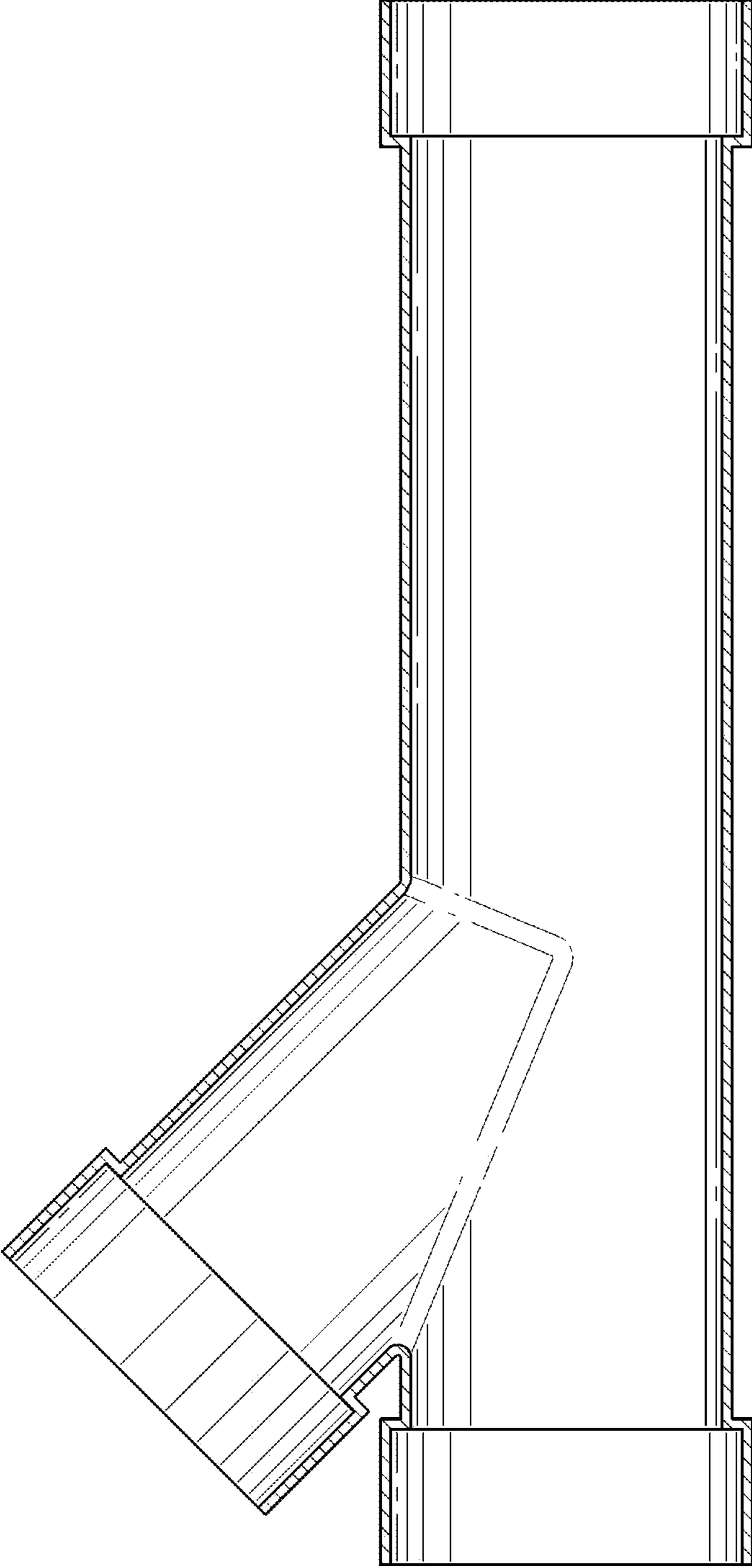


FIG. 8