



US00D770597S

(12) **United States Design Patent**
Eads

(10) **Patent No.:** **US D770,597 S**

(45) **Date of Patent:** **** Nov. 1, 2016**

(54) **FAUCET HANDLE**

D609,309 S * 2/2010 Fritz D23/250
D664,242 S * 7/2012 Gao D23/252
D667,084 S * 9/2012 Berger D23/238

(71) Applicant: **DELTA FAUCET COMPANY,**
Indianapolis, IN (US)

* cited by examiner

(72) Inventor: **Thad Eads,** North Manchester, IN (US)

Primary Examiner — Robert Delehanty

(73) Assignee: **DELTA FAUCET COMPANY,**
Indianapolis, IN (US)

(74) *Attorney, Agent, or Firm* — Edgar A. Zarins; Nirav D. Parikh

(**) Term: **15 Years**

(21) Appl. No.: **29/551,103**

(57) **CLAIM**

The ornamental design for a faucet handle, as shown and described.

(22) Filed: **Jan. 11, 2016**

(51) **LOC (10) Cl.** **23-01**

(52) **U.S. Cl.**

USPC **D23/252**

(58) **Field of Classification Search**

USPC D23/238, 241–243, 249–250, 252, 254
CPC E03C 1/04; E03C 1/0401; E03C 1/0402;
E03C 1/0404; F16K 31/602; F16K 31/605;
F16K 31/607

See application file for complete search history.

DESCRIPTION

FIG. 1 is a perspective view of a faucet handle showing my new design;

FIG. 2 is a top plan view thereof;

FIG. 3 is a first side view thereof;

FIG. 4 is a first end view thereof; and,

FIG. 5 is a second end view thereof.

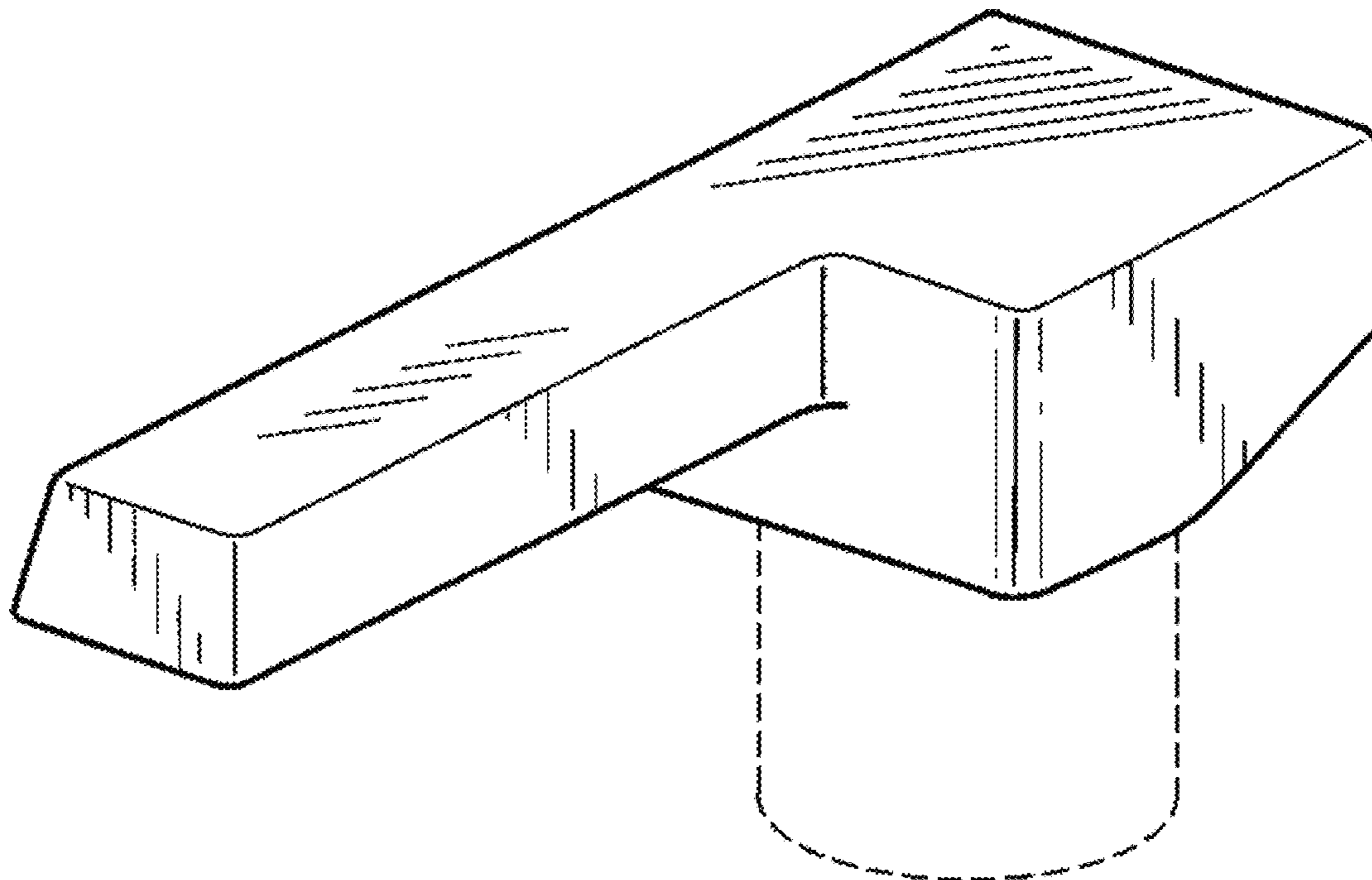
The broken line showing a portion of the handle forms no part of the claimed design.

(56) **References Cited**

U.S. PATENT DOCUMENTS

D602,574 S * 10/2009 Downey D23/252

1 Claim, 1 Drawing Sheet



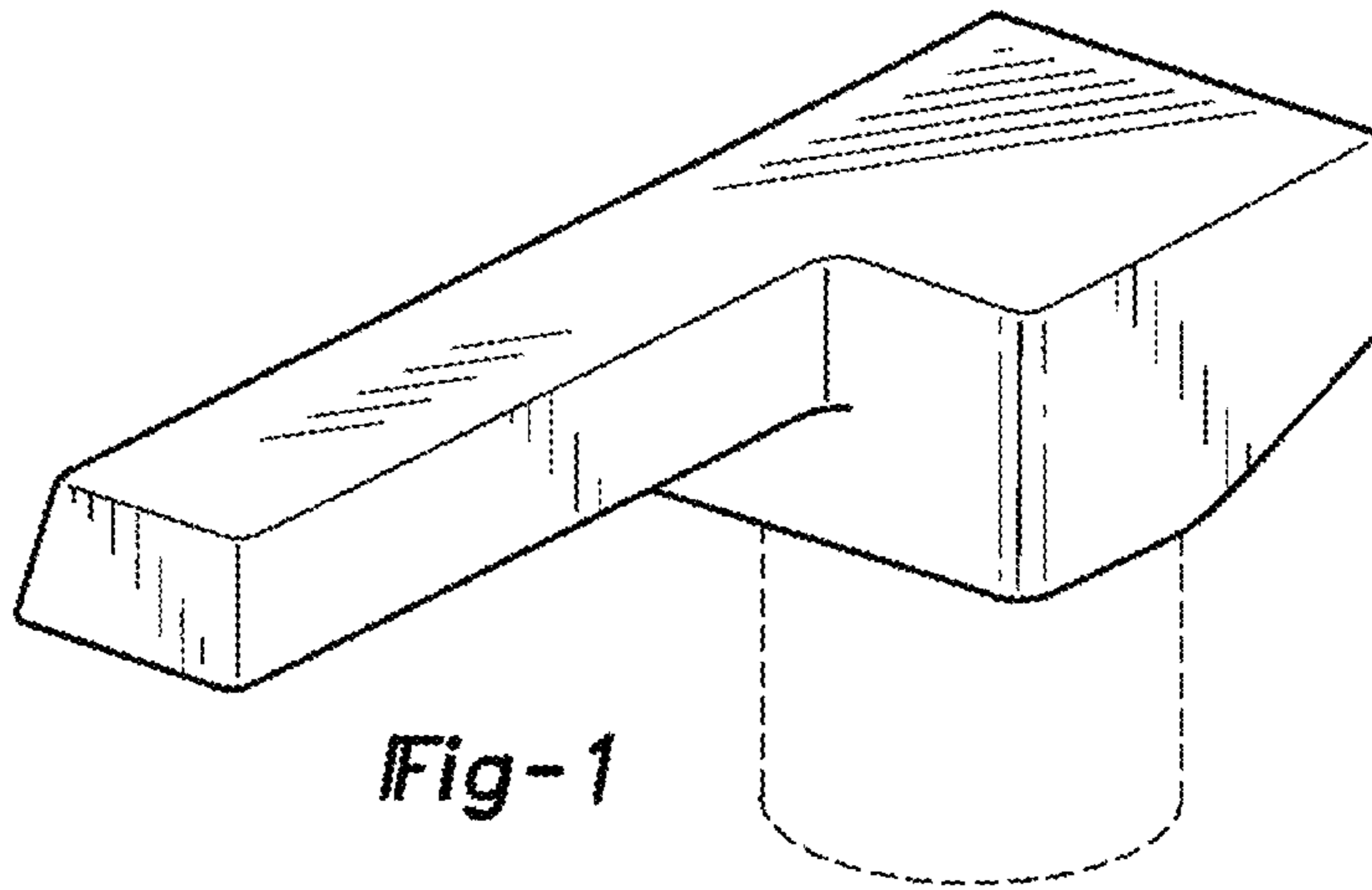


Fig-2

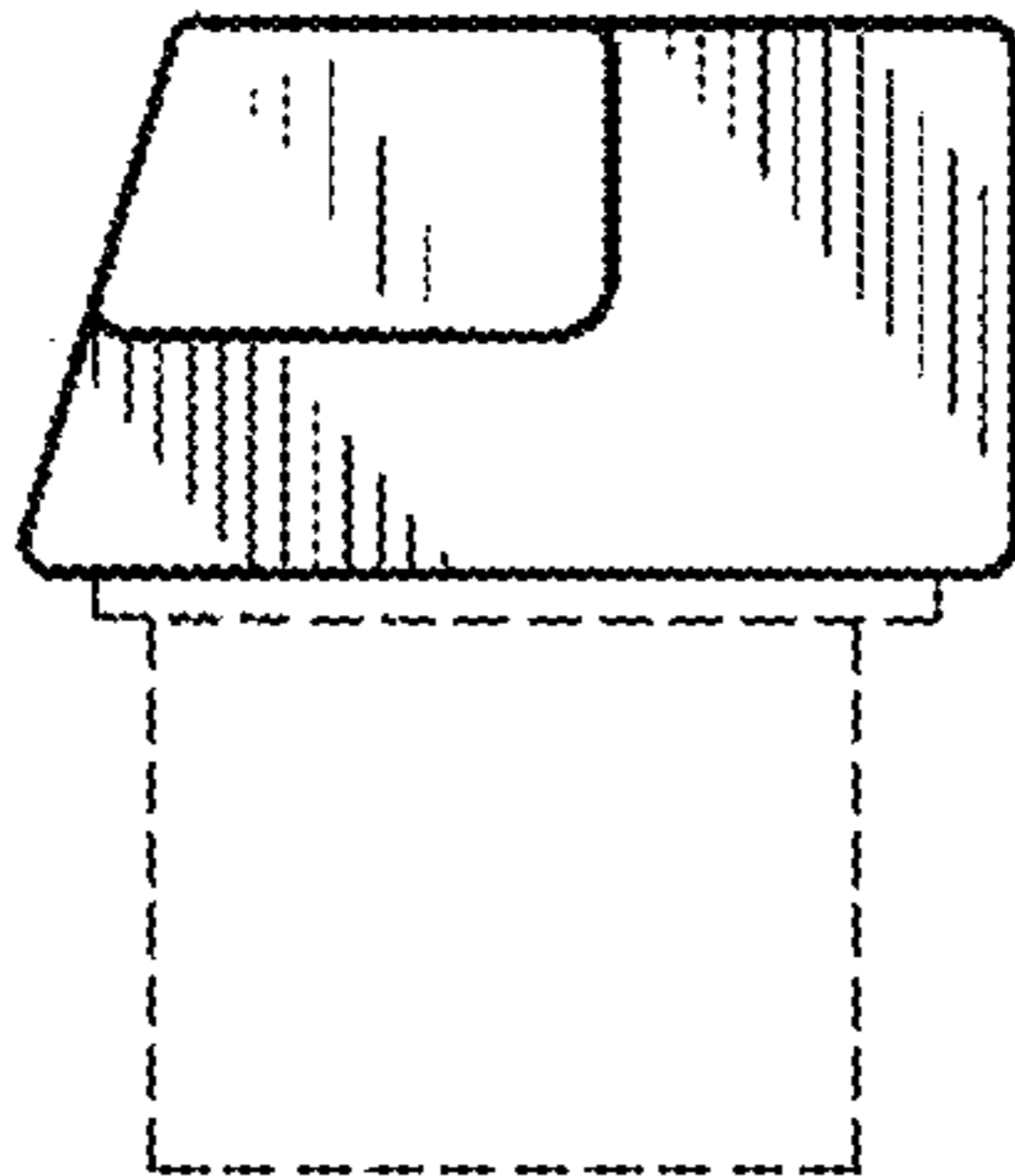
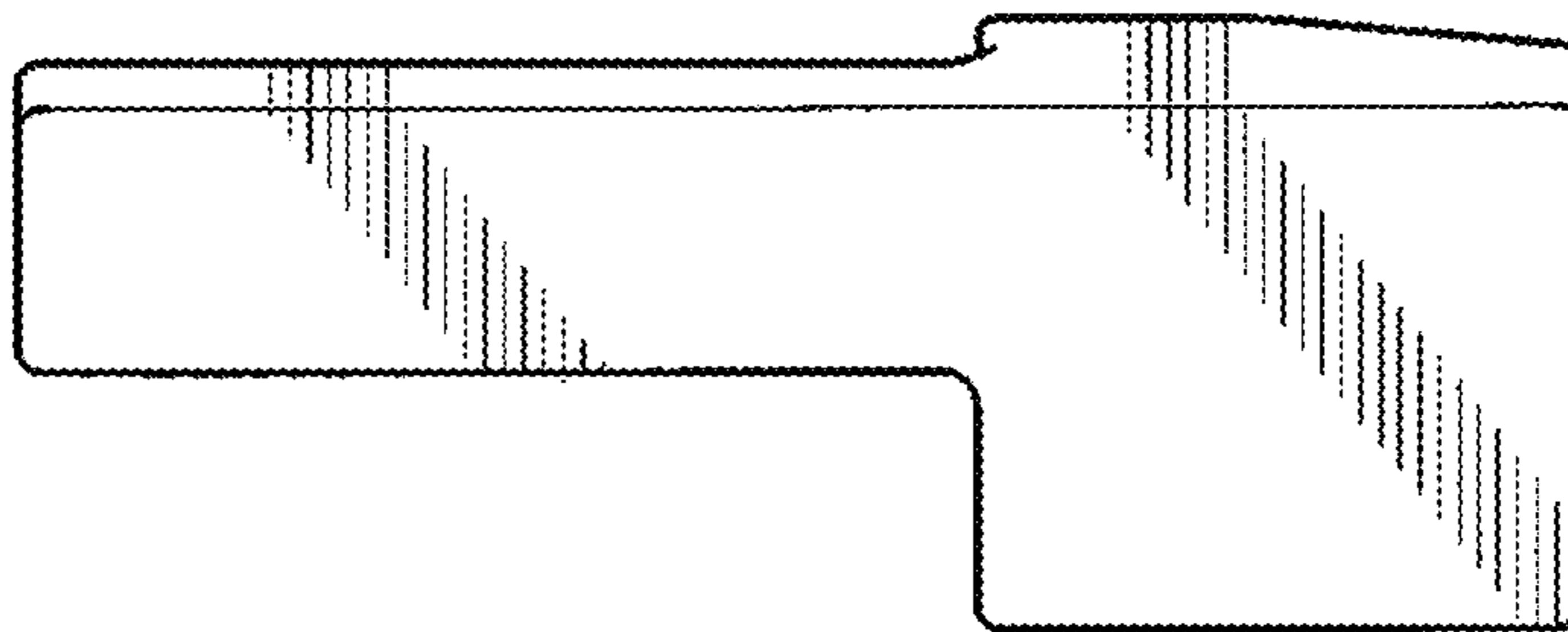


Fig-4

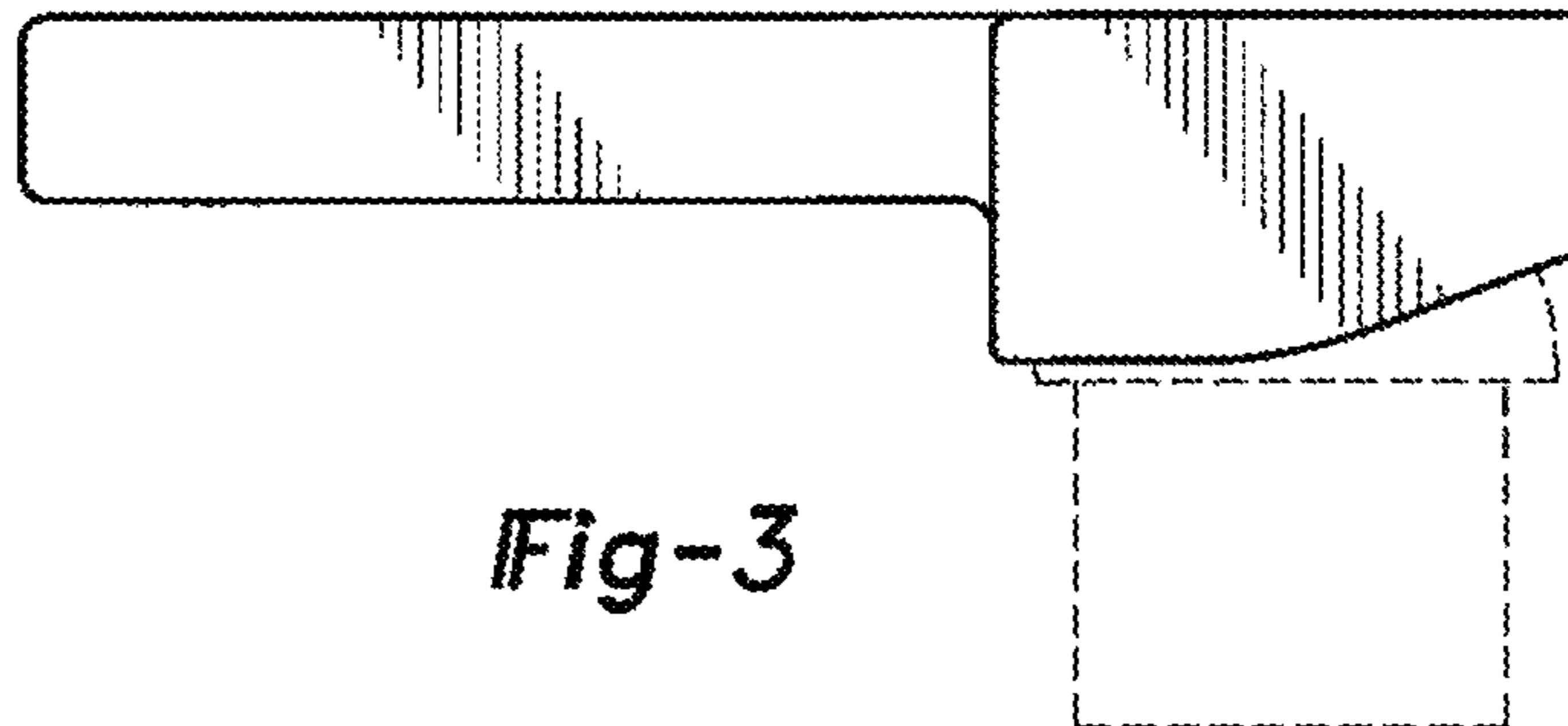


Fig-5

