



US00D770596S

(12) **United States Design Patent** (10) **Patent No.:** **US D770,596 S**  
**Riddell et al.** (45) **Date of Patent:** **\*\* Nov. 1, 2016**

(54) **FLOW CONTROL ASSEMBLY**  
(71) Applicant: **Western/Scott Fetzer Company**,  
Westlake, OH (US)  
(72) Inventors: **Erin Riddell**, Bay Village, OH (US);  
**Gregory Eytchison**, Huron, OH (US);  
**Ryan Pereira**, Westlake, OH (US)  
(73) Assignee: **Western/Scott Fetzer Company**,  
Westlake, OH (US)  
(\*\*) Term: **14 Years**  
(21) Appl. No.: **29/497,119**  
(22) Filed: **Jul. 21, 2014**  
(51) **LOC (10) Cl.** ..... **23-01**  
(52) **U.S. Cl.**  
USPC ..... **D23/235**  
(58) **Field of Classification Search**  
USPC ..... D23/235; 251/62, 63, 63.5, 129.01,  
251/129.1; 137/556.3, 553, 556.6, 625.65,  
137/625.25  
CPC .. F16K 31/122; F16K 31/1221; F16K 31/22;  
F16K 3/0254; F16K 3/26; F16K 99/0001;  
F15C 5/00  
See application file for complete search history.

5,400,819 A \* 3/1995 Lemmens ..... F16K 37/0016  
137/556.3  
6,343,619 B1 \* 2/2002 Pruitt ..... E03C 1/0412  
116/277  
6,540,205 B1 \* 4/2003 Stafford ..... F16K 31/50  
251/205  
6,612,538 B2 \* 9/2003 Fukano ..... F16K 7/17  
137/270  
7,337,795 B2 \* 3/2008 Johnson ..... B64C 17/10  
137/1  
D637,270 S \* 5/2011 Nicolia ..... D23/235  
D674,469 S \* 1/2013 Boyer ..... D23/235  
D686,699 S \* 7/2013 Evans, Jr. .... D23/233  
D698,010 S \* 1/2014 Boyer ..... D23/235  
D706,394 S \* 6/2014 Evans, Jr. .... D23/233  
D713,007 S \* 9/2014 Boyer ..... D23/235  
D737,934 S \* 9/2015 Sakamoto ..... D23/235  
D745,114 S \* 12/2015 Alexander ..... D23/235

\* cited by examiner

*Primary Examiner* — Cynthia Ramirez  
(74) *Attorney, Agent, or Firm* — Tarolli, Sundheim,  
Covell & Tummino LLP

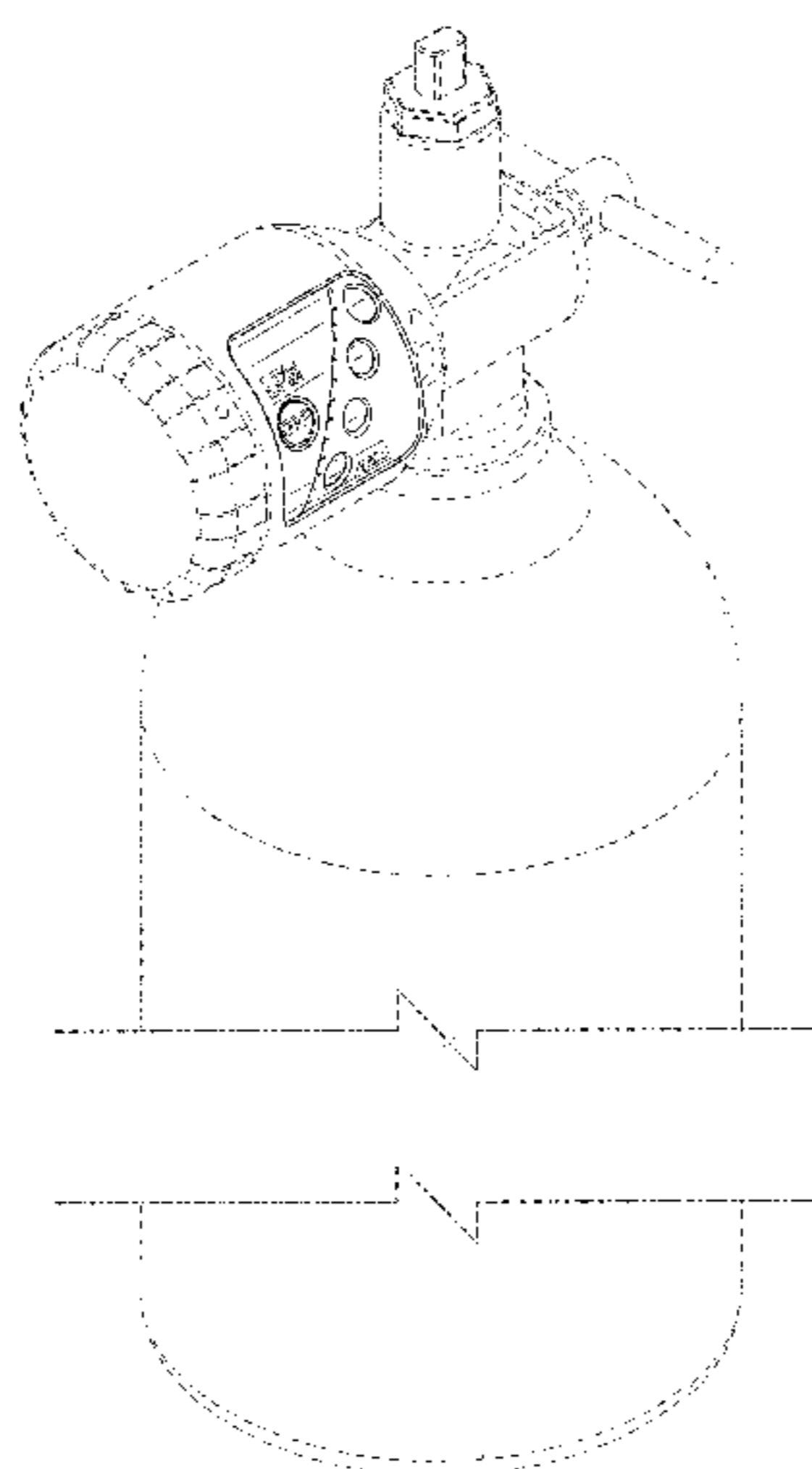
(57) **CLAIM**  
The ornamental design for a flow control assembly, as  
shown and described.

**DESCRIPTION**

FIG. 1 is a front perspective view of a flow control assembly  
illustrating our ornamental design;  
FIG. 2 is a rear perspective view thereof;  
FIG. 3 is a front elevation view thereof;  
FIG. 4 is a rear elevation view thereof;  
FIG. 5 is a left side elevation view thereof;  
FIG. 6 is a right side elevation view thereof;  
FIG. 7 is a top plan view thereof; and,  
FIG. 8 is a bottom plan view thereof.  
Those portions of the Figures shown in broken lines and  
dashed lines are included for environmental purposes only  
and form no part of the claimed design.

**1 Claim, 7 Drawing Sheets**

(56) **References Cited**  
U.S. PATENT DOCUMENTS  
D153,064 S \* 3/1949 Hammon ..... D23/235  
D153,244 S \* 3/1949 Teague ..... D10/85  
D156,391 S \* 12/1949 Wertheimer ..... D10/49  
3,460,800 A \* 8/1969 Mikuls ..... F16K 1/221  
251/101  
3,658,450 A \* 4/1972 Woodling ..... B62D 5/097  
180/441  
D299,517 S \* 1/1989 Vigneau ..... D23/235  
D301,914 S \* 6/1989 Ogasawara ..... D10/85  
5,393,035 A \* 2/1995 Steele ..... F16K 3/24  
137/556.6



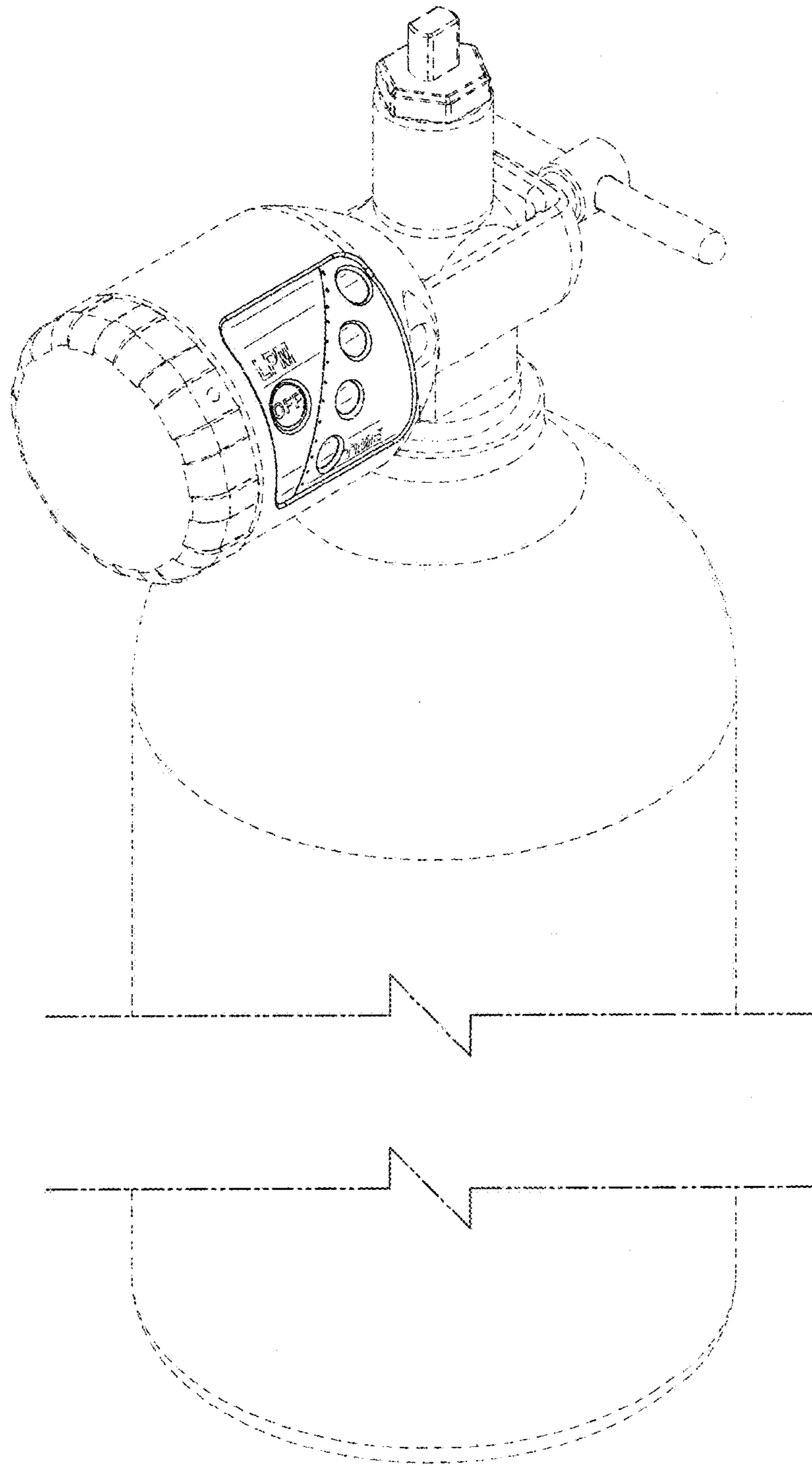


FIG. 1

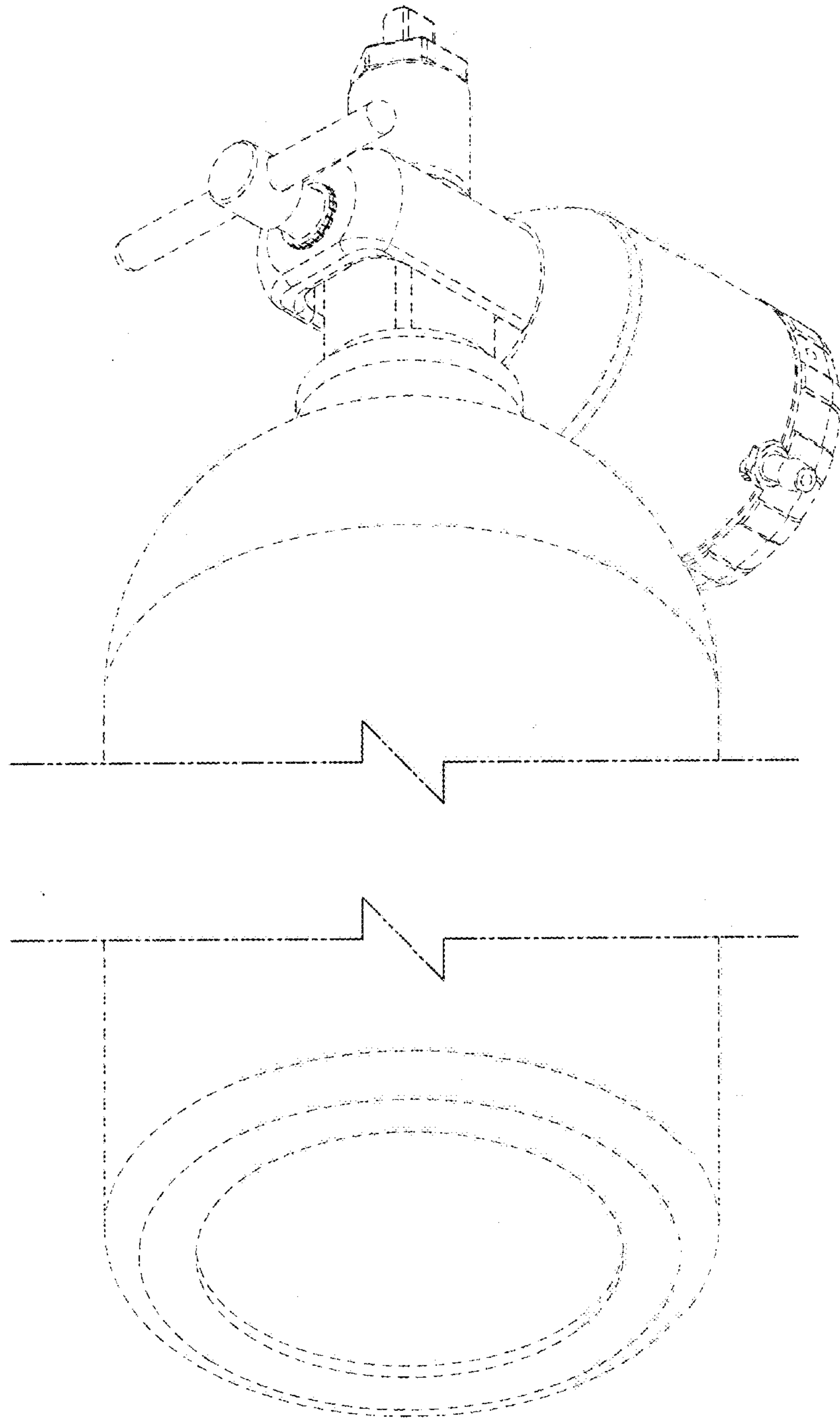


FIG. 2

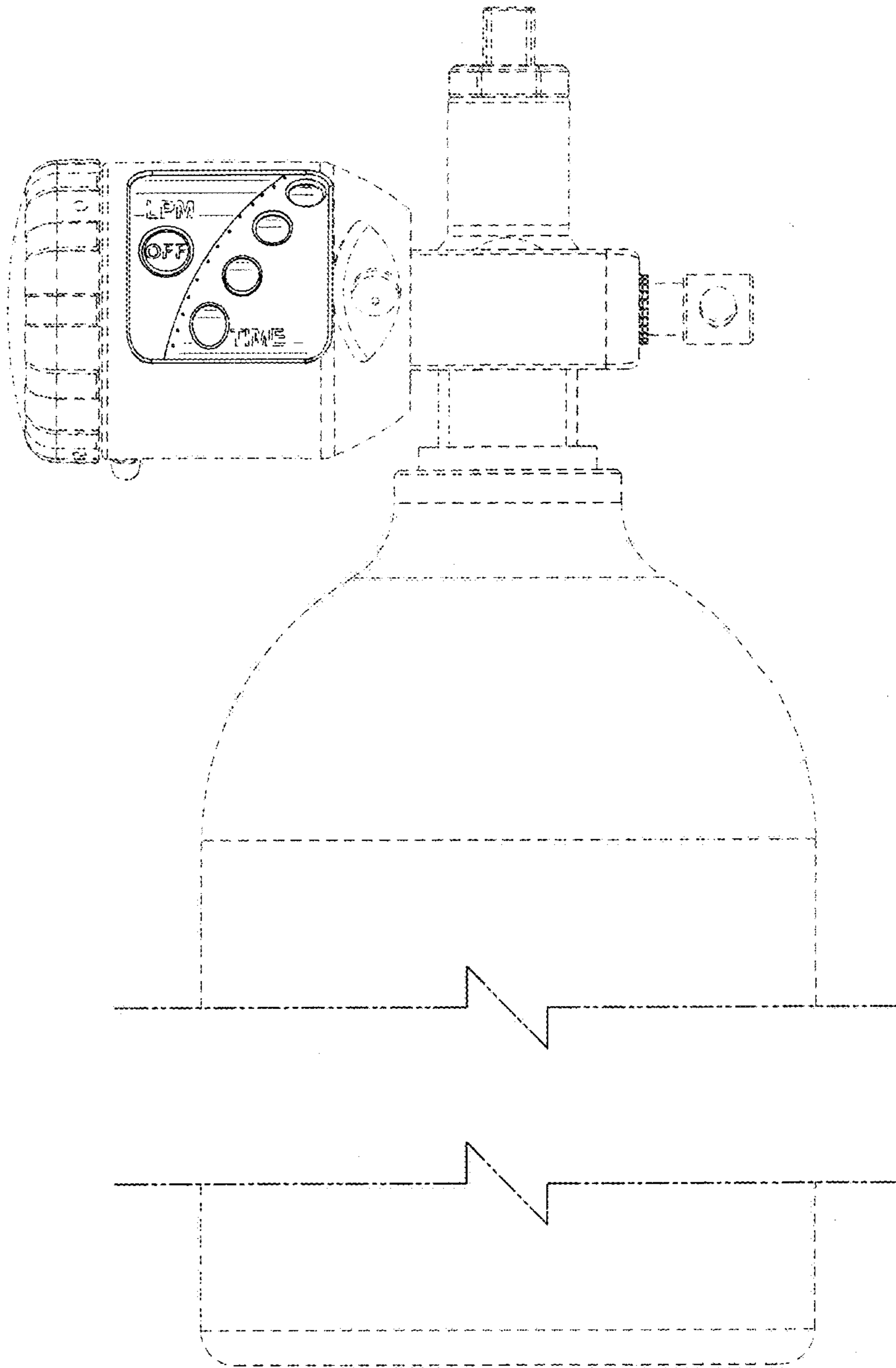


FIG. 3

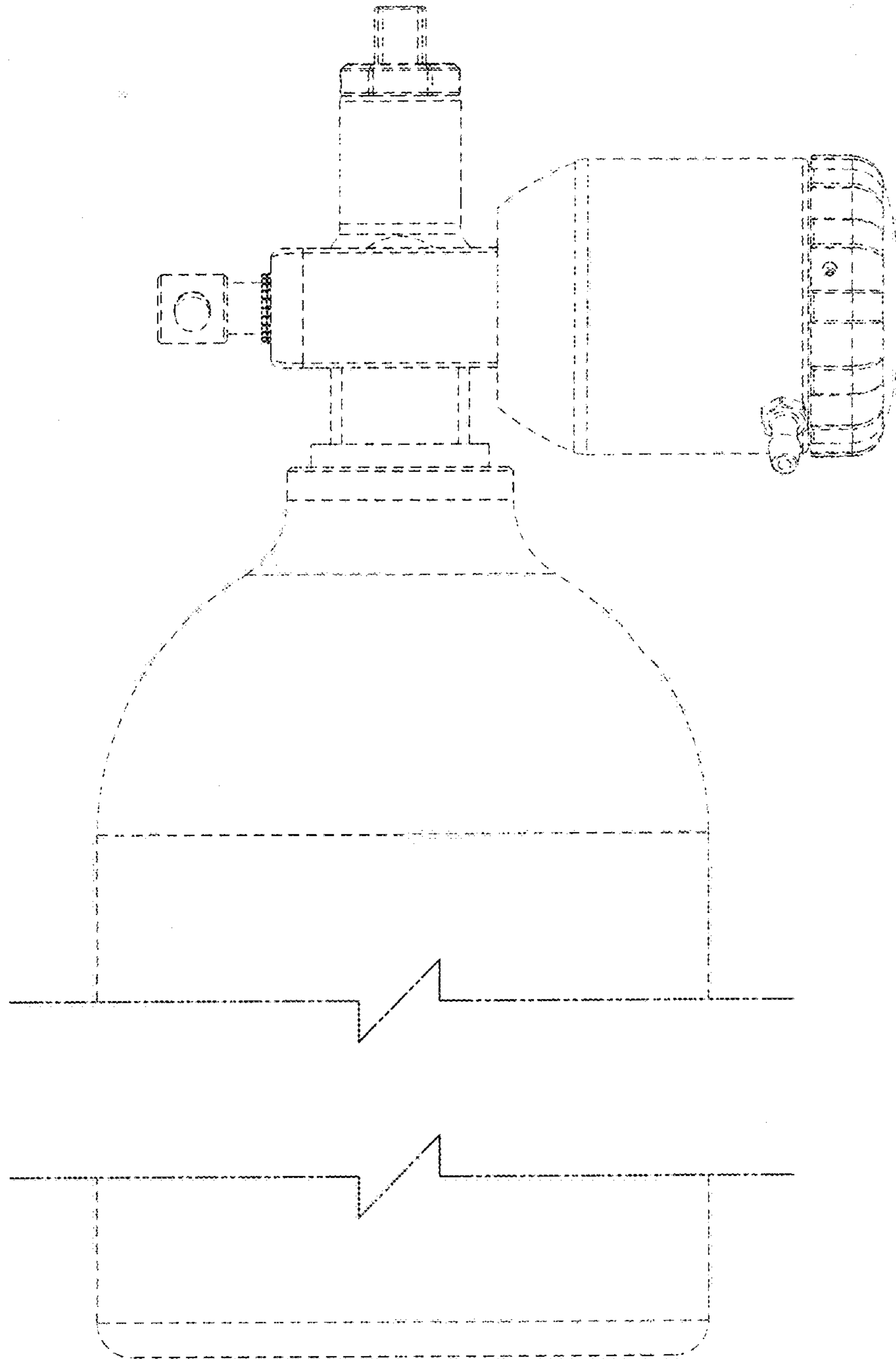


FIG. 4

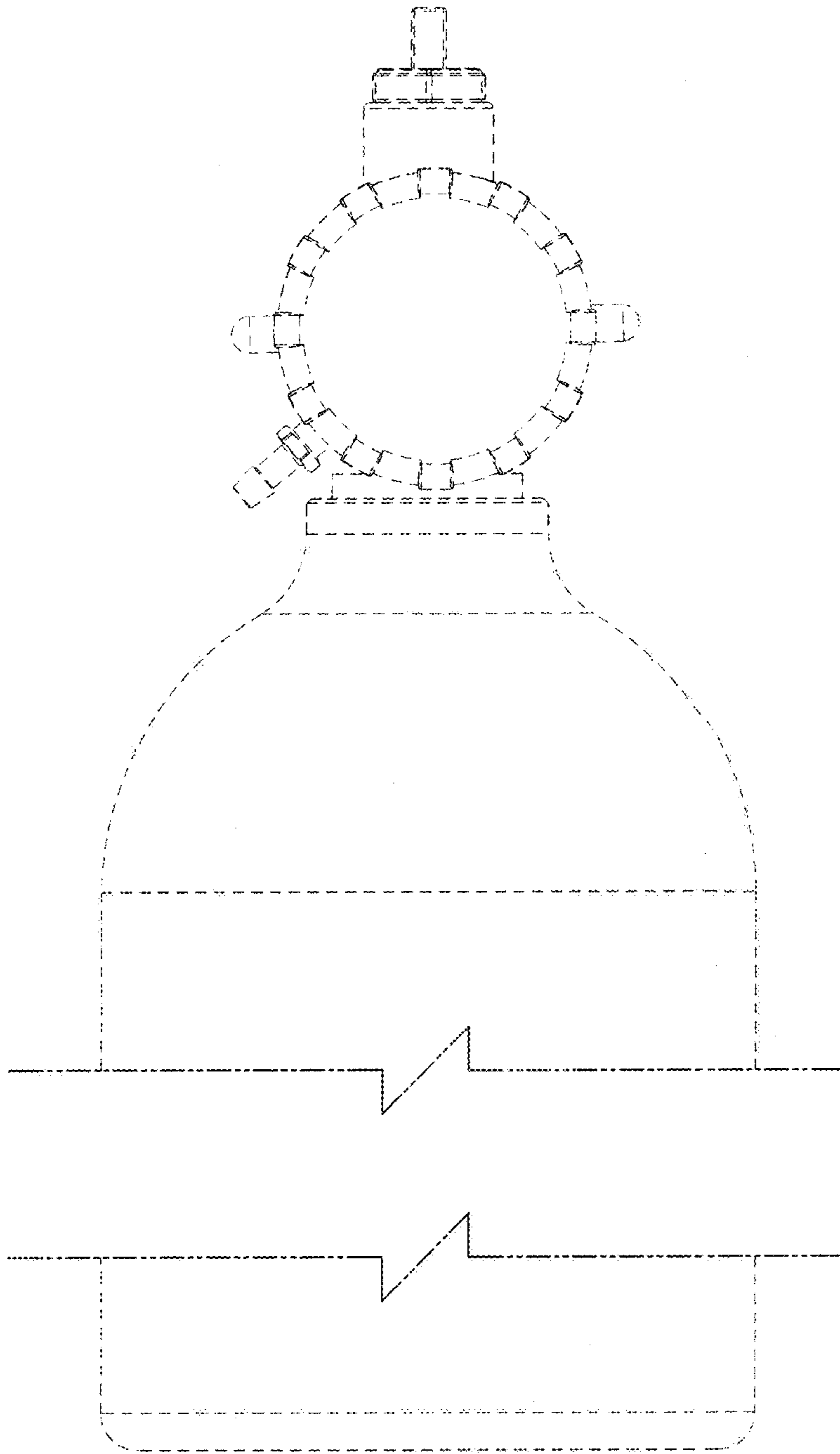


FIG. 5

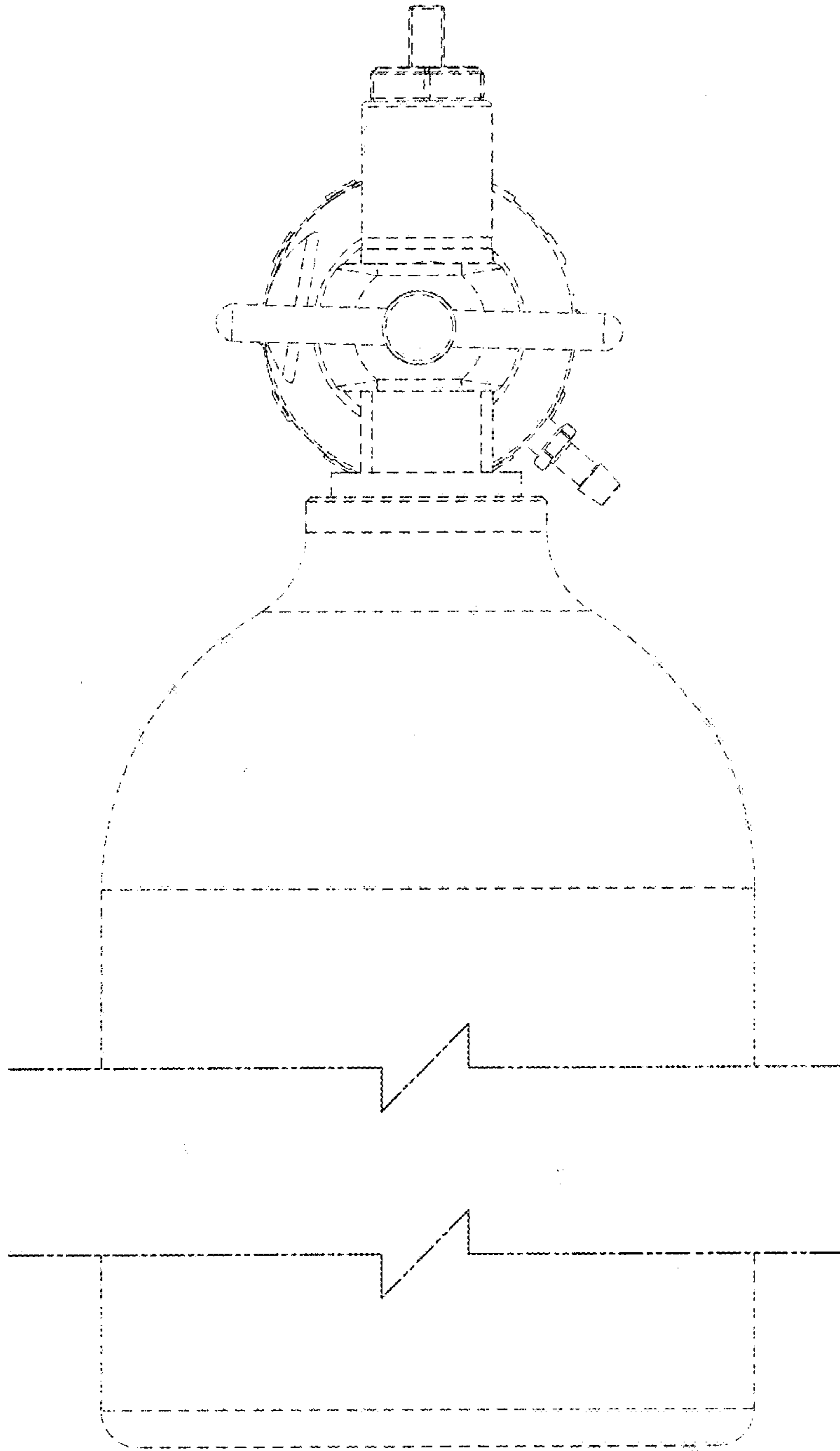


FIG. 6

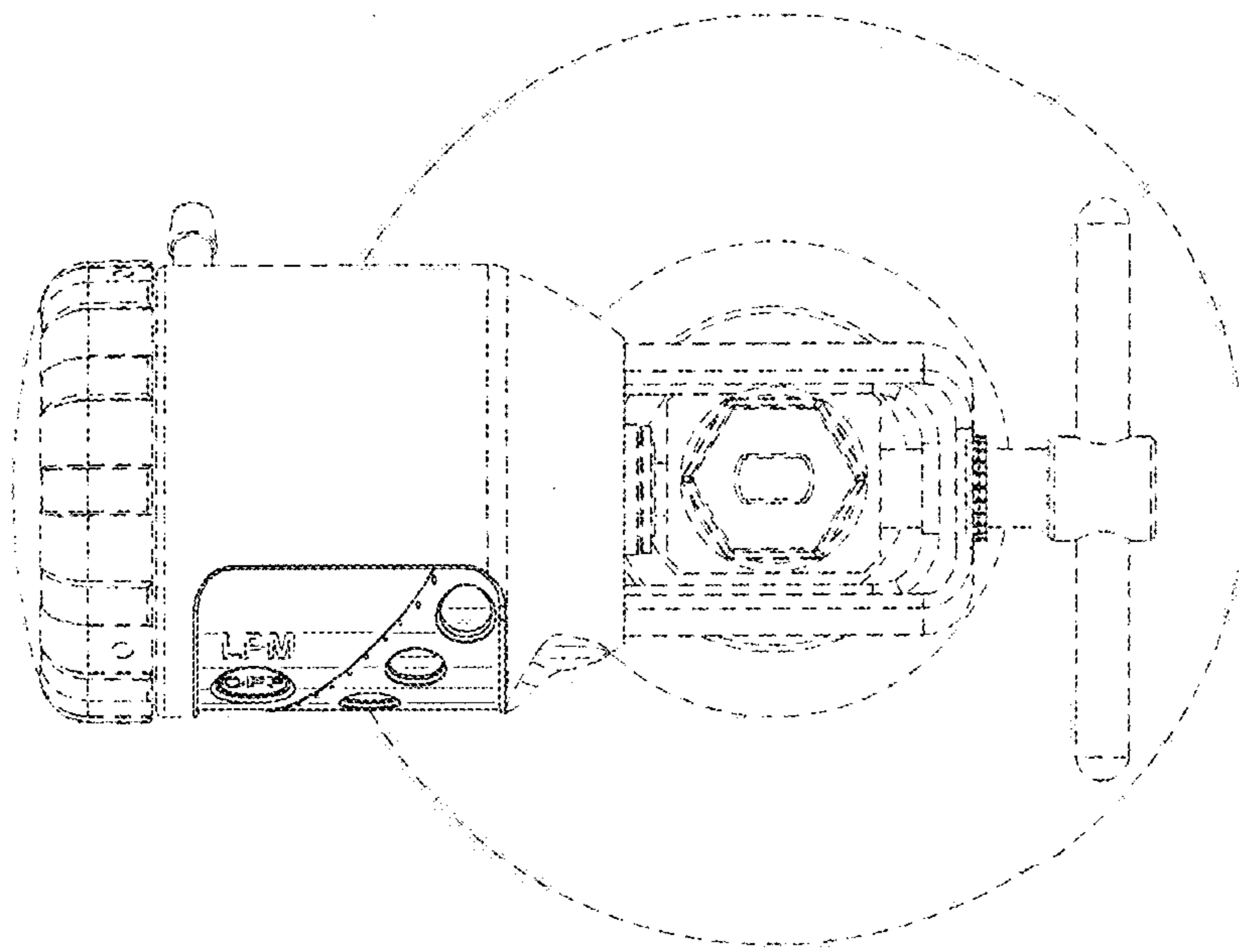


FIG. 7

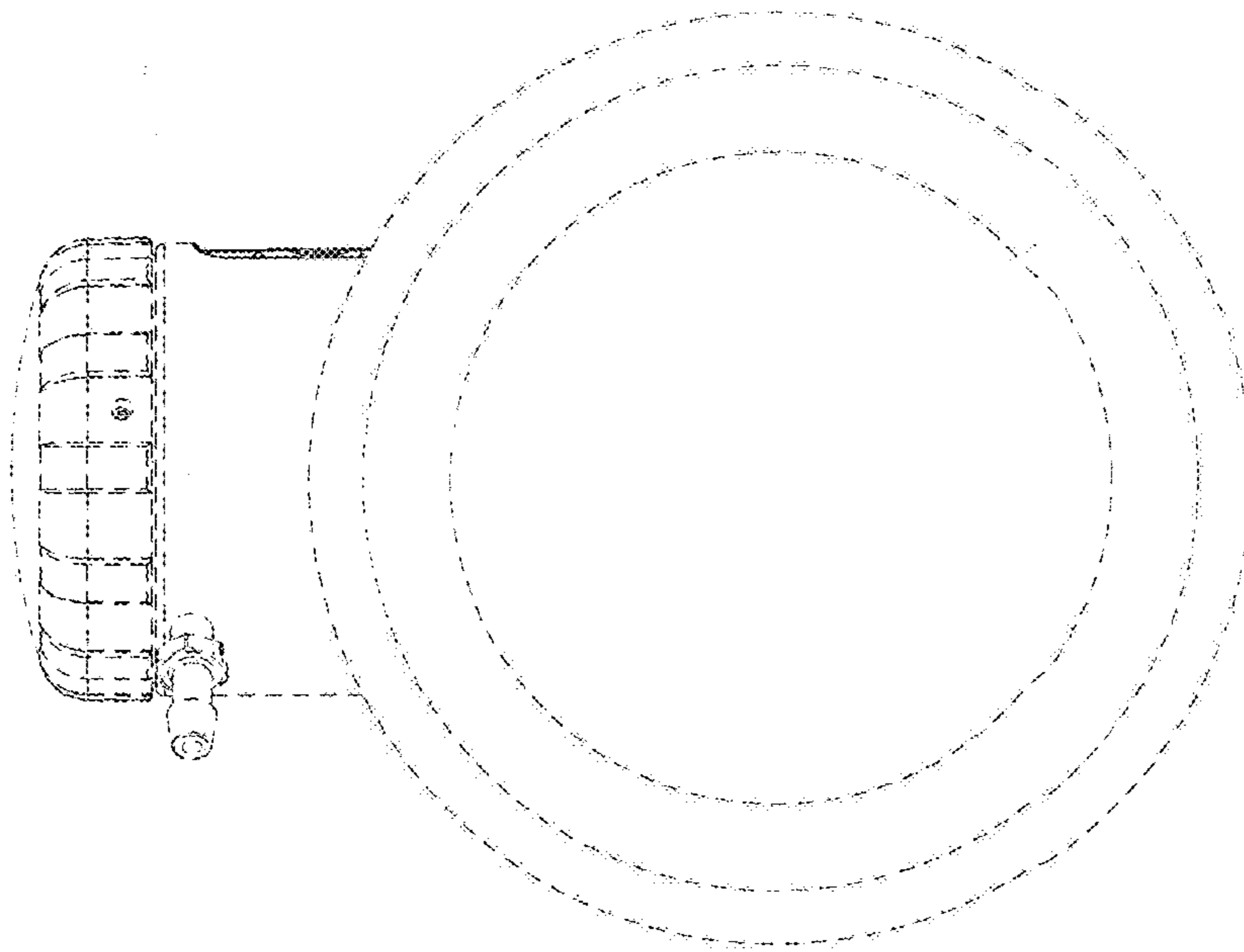


FIG. 8