



US00D770595S

(12) **United States Design Patent** (10) **Patent No.:** **US D770,595 S**
Suzuki et al. (45) **Date of Patent:** **** Nov. 1, 2016**

(54) **FLUID PRESSURE CYLINDER**

(71) Applicant: **SMC CORPORATION**, Tokyo (JP)

(72) Inventors: **Yasunaga Suzuki**, Kasukabe (JP);
Hiroyuki Asahara, Tsukuba (JP);
Naoki Shinjo, Nagareyama (JP)

(73) Assignee: **SMC CORPORATION**, Tokyo (JP)

(**) Term: **14 Years**

(21) Appl. No.: **29/487,672**

(22) Filed: **Apr. 10, 2014**

(51) **LOC (10) Cl.** **23-01**

(52) **U.S. Cl.**
USPC **D23/233**

(58) **Field of Classification Search**
USPC D23/233-237, 244-249, 200, 207, 209,
D23/210, 259-269; 137/625.4, 625.64,
137/625.65; D10/85; 73/700; 91/394, 395,
91/407, 408; 251/129.01
CPC F15C 5/00; F16K 99/0001; F16K 11/087;
F16K 11/0782; F16K 11/022
See application file for complete search history.

(56) **References Cited**

U.S. PATENT DOCUMENTS

D499,348 S * 12/2004 Matsumoto D10/85
D575,175 S * 8/2008 Suzuki D10/85
D678,475 S * 3/2013 Sisk D23/233

Primary Examiner — Cynthia Ramirez

(74) *Attorney, Agent, or Firm* — Birch, Stewart, Kolasch
& Birch, LLP

(57) **CLAIM**

The ornamental design for a fluid pressure cylinder, as shown and described.

DESCRIPTION

FIG. 1 is a top, front and right-side perspective view of a fluid pressure cylinder showing a first embodiment of our new design;

FIG. 2 is a front view thereof;
FIG. 3 is a rear view thereof;
FIG. 4 is a top plan view thereof;
FIG. 5 is a bottom plan view thereof;
FIG. 6 is a left side view thereof;
FIG. 7 is a right side view thereof;
FIG. 8 is a top, front and right-side perspective view of a fluid pressure cylinder showing a second embodiment of our new design;
FIG. 9 is a front view thereof;
FIG. 10 is a rear view thereof;
FIG. 11 is a top plan view thereof;
FIG. 12 is a bottom plan view thereof;
FIG. 13 is a left side view thereof;
FIG. 14 is a right side view thereof;
FIG. 15 is a top, front and right-side perspective view of a fluid pressure cylinder showing a third embodiment of our new design;
FIG. 16 is a front view thereof;
FIG. 17 is a rear view thereof;
FIG. 18 is a top plan view thereof;
FIG. 19 is a bottom plan view thereof;
FIG. 20 is a left side view thereof;
FIG. 21 is a right side view thereof;
FIG. 22 is a top, front and right-side perspective view of a fluid pressure cylinder showing a fourth embodiment of our new design;
FIG. 23 is a front view thereof;
FIG. 24 is a rear view thereof;
FIG. 25 is a top plan view thereof;
FIG. 26 is a bottom plan view thereof;
FIG. 27 is a left side view thereof;
FIG. 28 is a right side view thereof;
FIG. 29 is a top, front and right-side perspective view of a fluid pressure cylinder showing a fifth embodiment of our new design;
FIG. 30 is a front view thereof;
FIG. 31 is a rear view thereof;
FIG. 32 is a top plan view thereof;
FIG. 33 is a bottom plan view thereof;
FIG. 34 is a left side view thereof;
FIG. 35 is a right side view thereof;

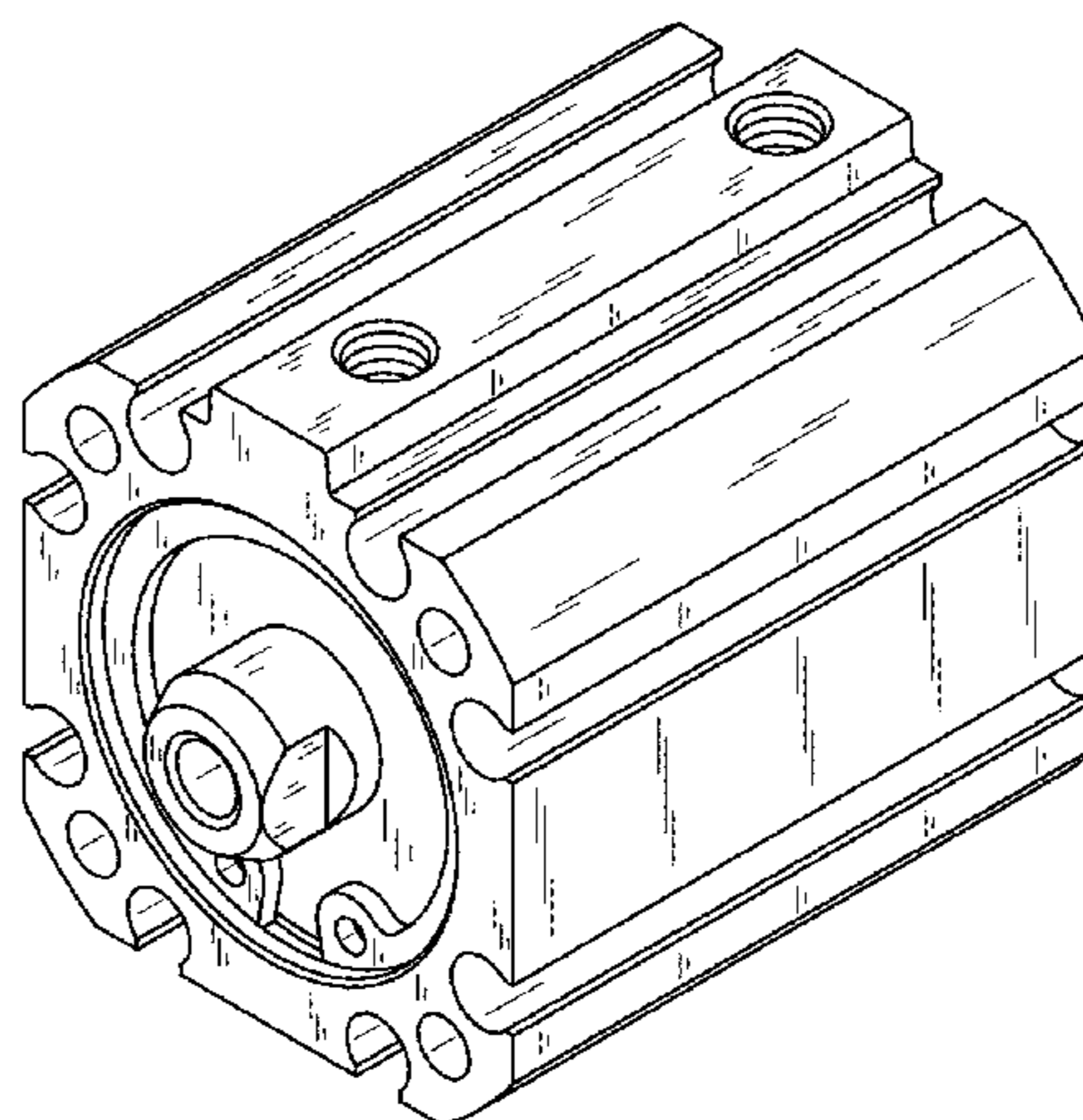


FIG. 36 is a top, front and right-side perspective view of a fluid pressure cylinder showing a sixth embodiment of our new design;

FIG. 37 is a front view thereof;

FIG. 38 is a rear view thereof;

FIG. 39 is a top plan view thereof;

FIG. 40 is a bottom plan view thereof;

FIG. 41 is a left side view thereof;

FIG. 42 is a right side view thereof;

FIG. 43 is a top, front and right-side perspective view of a fluid pressure cylinder showing a seventh embodiment of our new design;

FIG. 44 is a front view thereof;

FIG. 45 is a rear view thereof;

FIG. 46 is a top plan view thereof;

FIG. 47 is a bottom plan view thereof;

FIG. 48 is a left side view thereof;

FIG. 49 is a right side view thereof;

FIG. 50 is a top, front and right-side perspective view of a fluid pressure cylinder showing an eighth embodiment of our new design;

FIG. 51 is a front view thereof;

FIG. 52 is a rear view thereof;

FIG. 53 is a top plan view thereof;

FIG. 54 is a bottom plan view thereof;

FIG. 55 is a left side view thereof;

FIG. 56 is a right side view thereof;

FIG. 57 is a top, front and right-side perspective view of a fluid pressure cylinder showing a ninth embodiment of our new design;

FIG. 58 is a front view thereof;

FIG. 59 is a rear view thereof;

FIG. 60 is a top plan view thereof;

FIG. 61 is a bottom plan view thereof;

FIG. 62 is a left side view thereof; and,

FIG. 63 is a right side view thereof.

The broken lines shown in FIGS. 3, 10, 17, 24, 31, 38, 45, 52 and 59 are included for the purpose of illustrating portions of the fluid pressure cylinder and forms no part of the claimed design.

1 Claim, 63 Drawing Sheets

FIG. 1

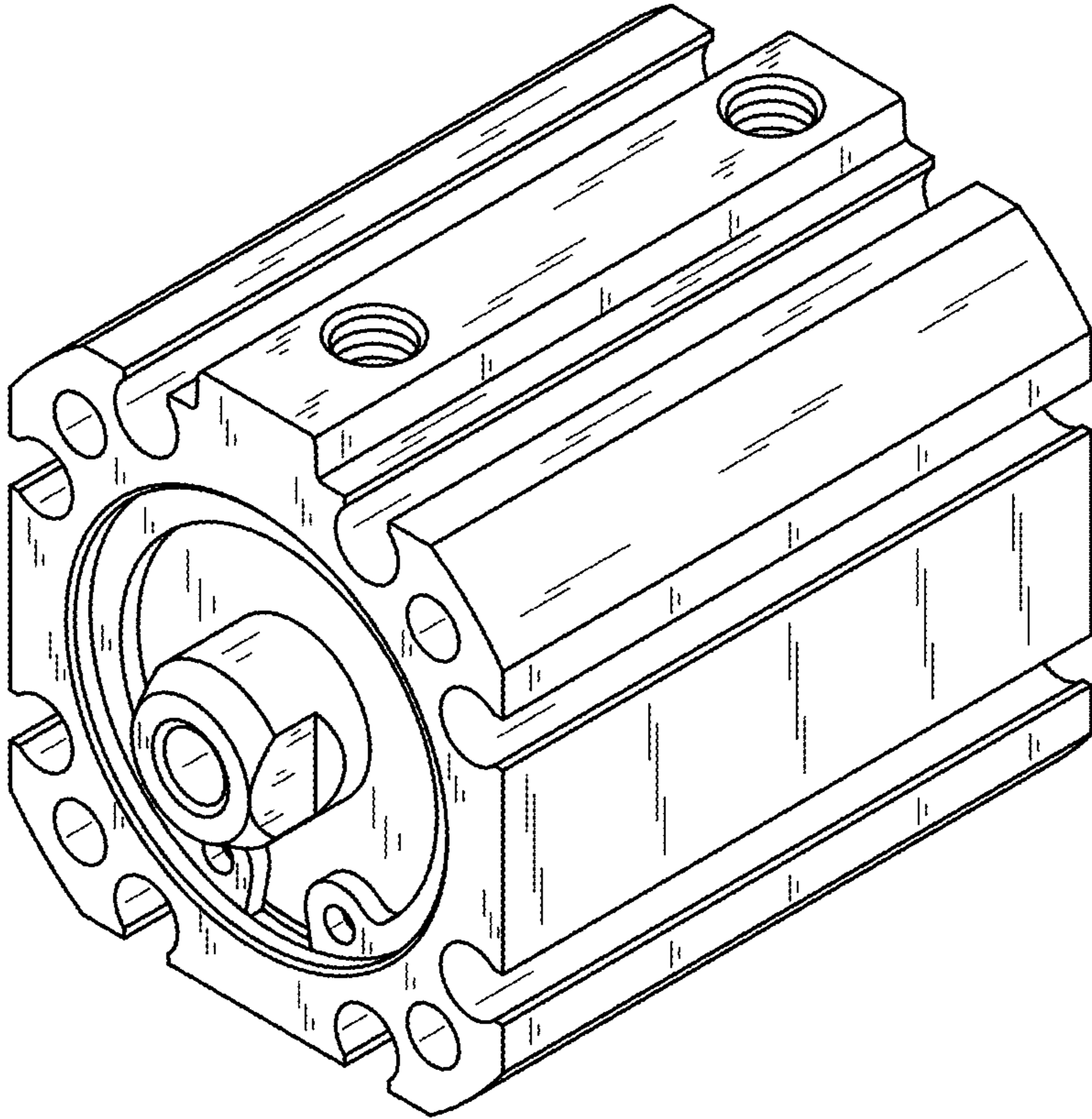


FIG. 2

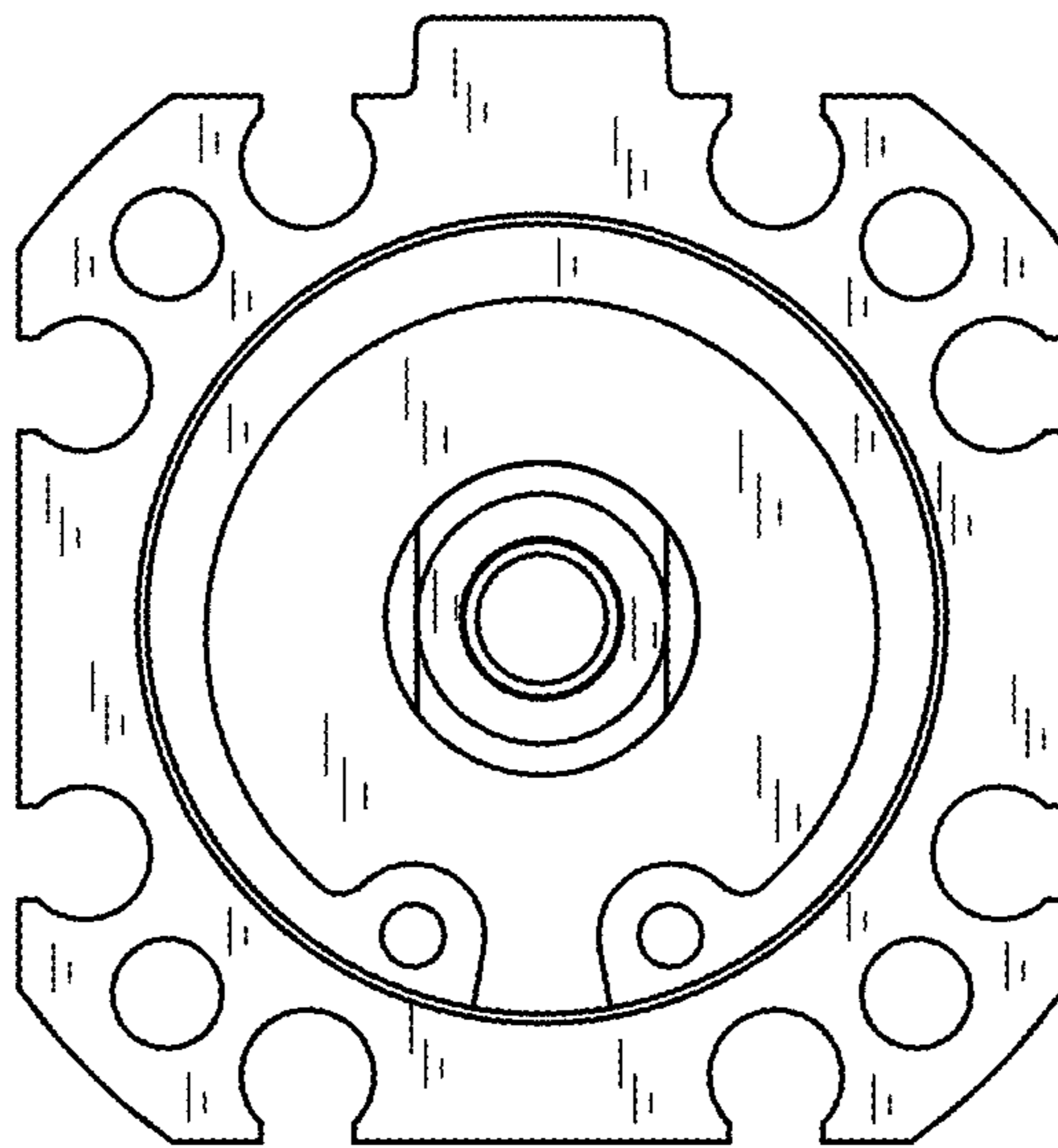


FIG. 3

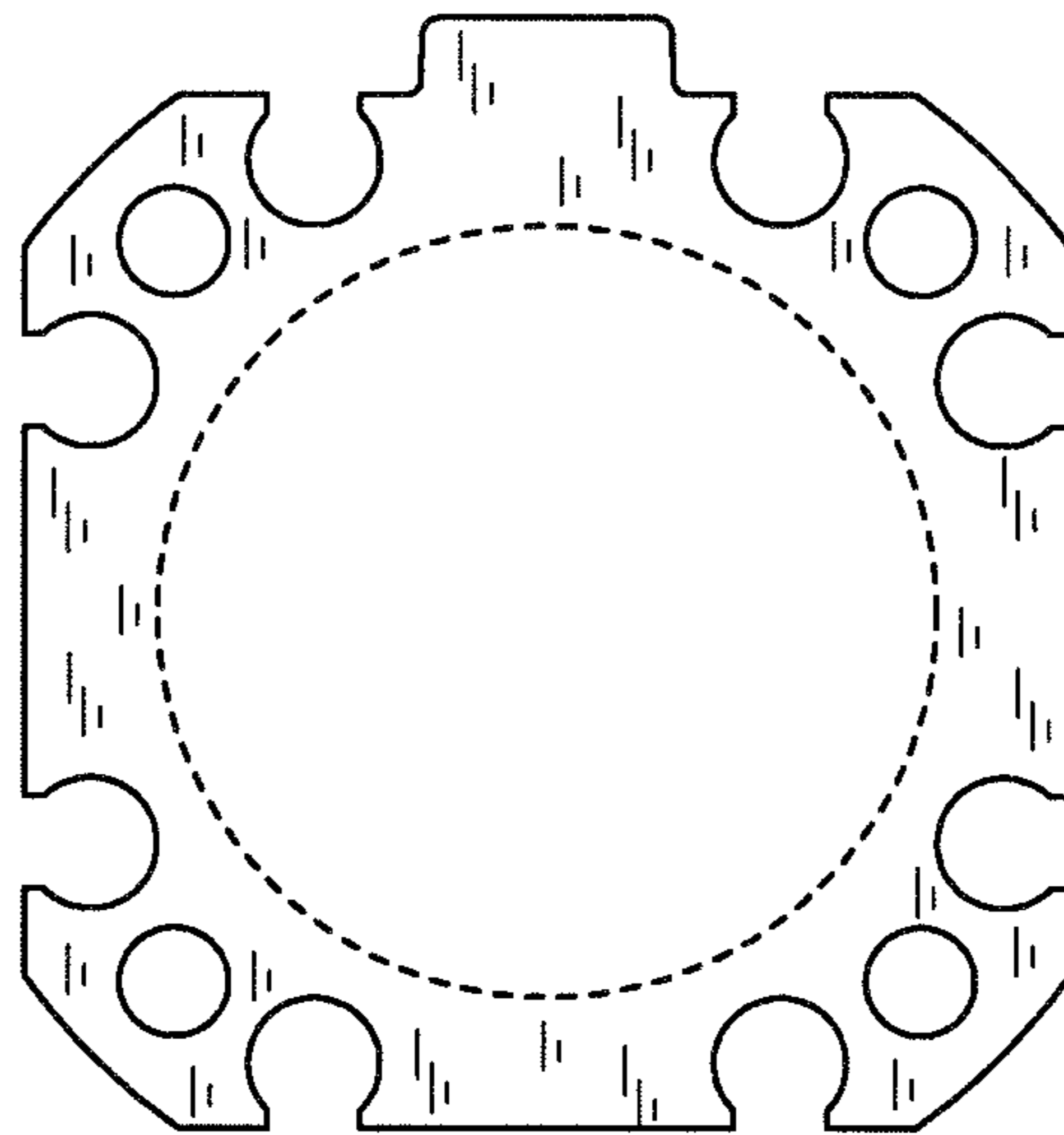


FIG. 4

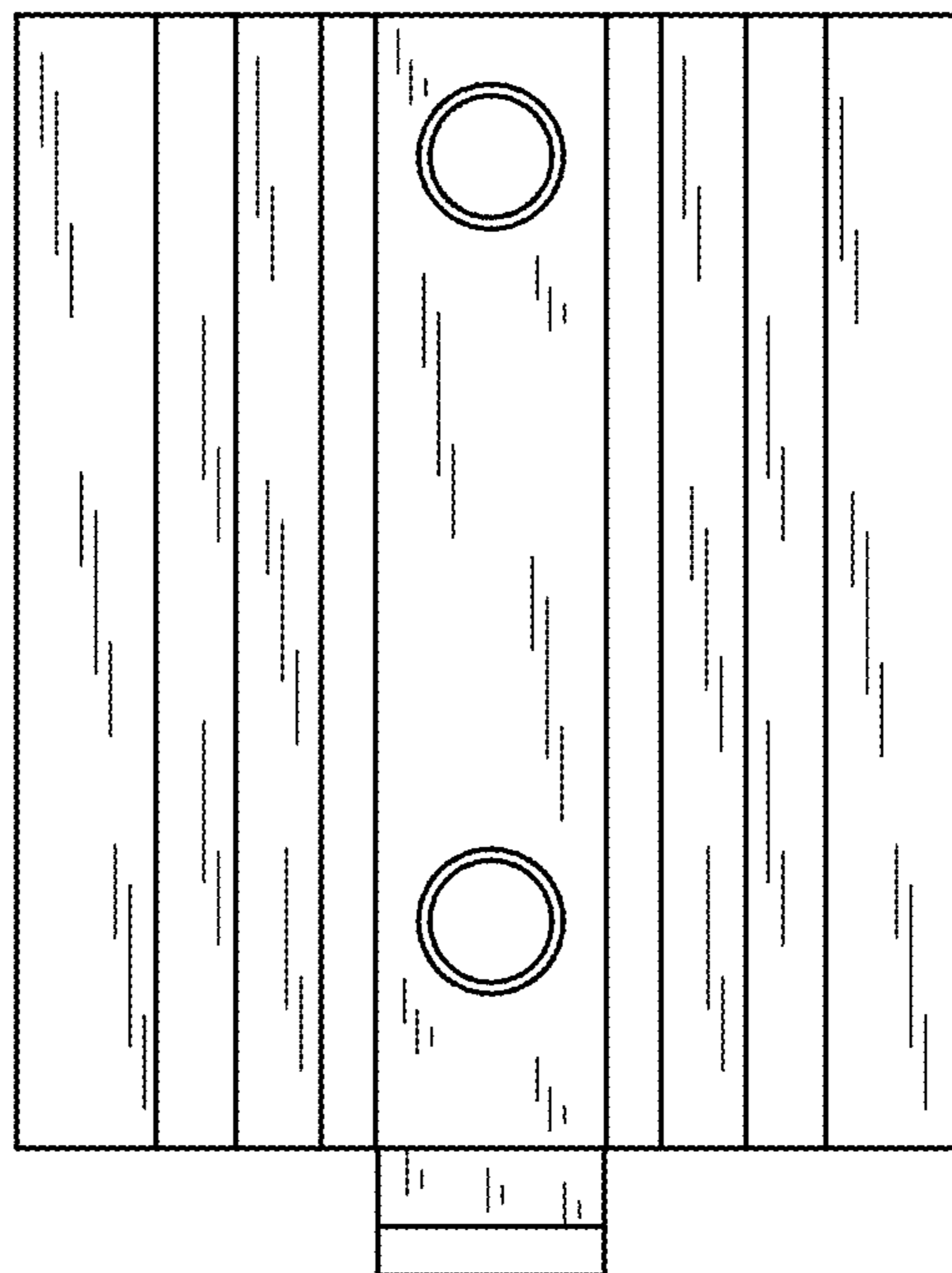


FIG. 5

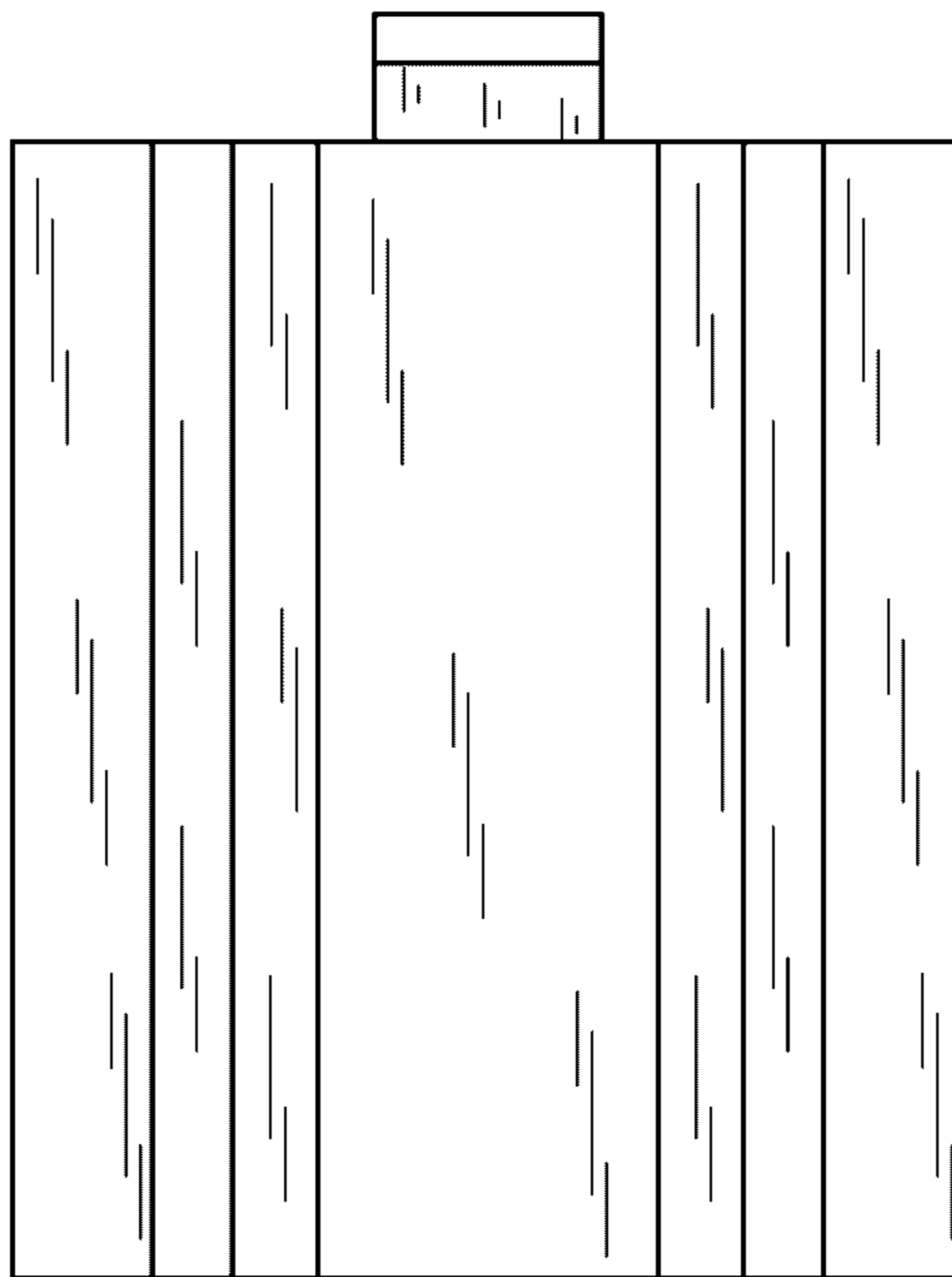


FIG. 6

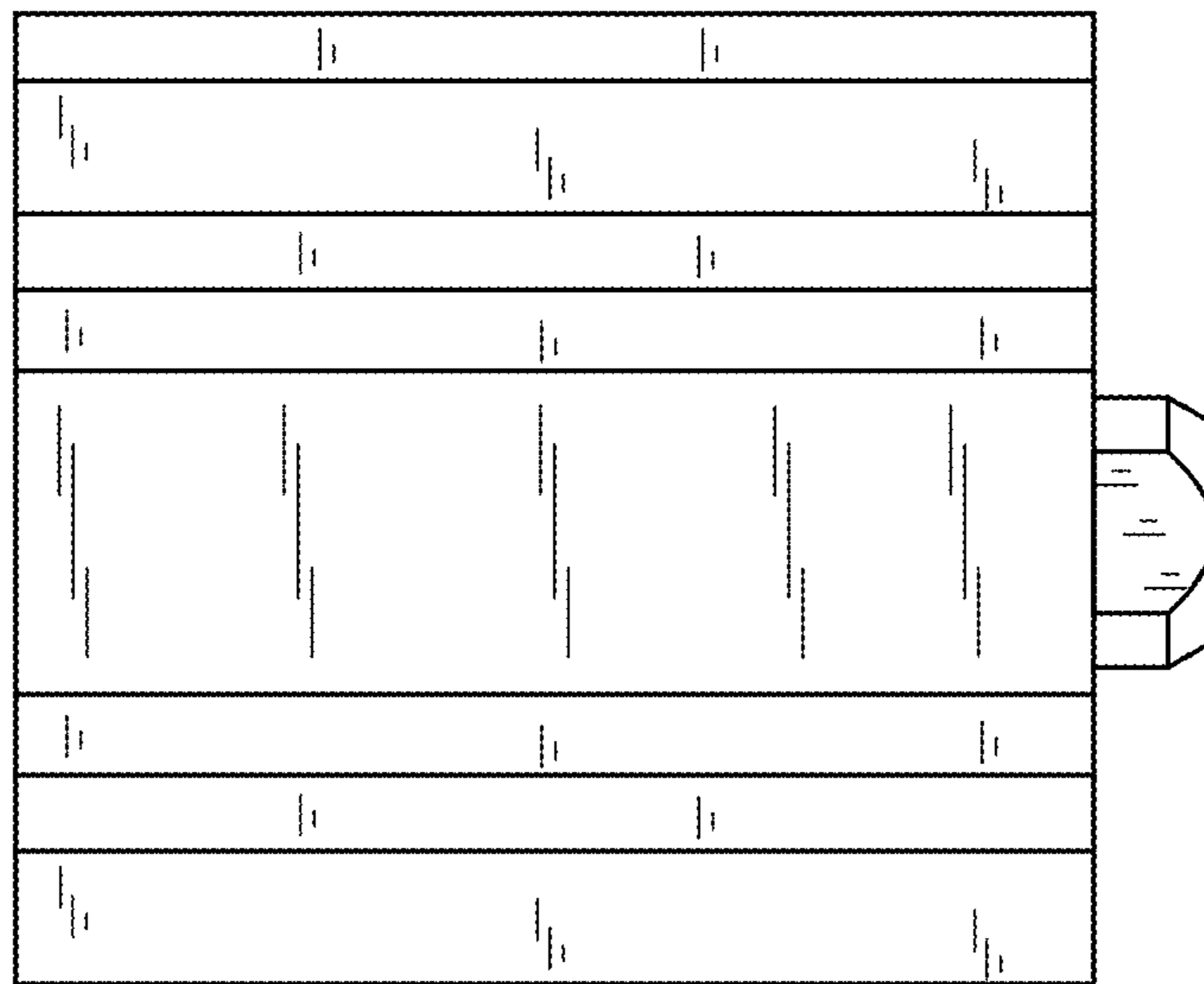


FIG. 7

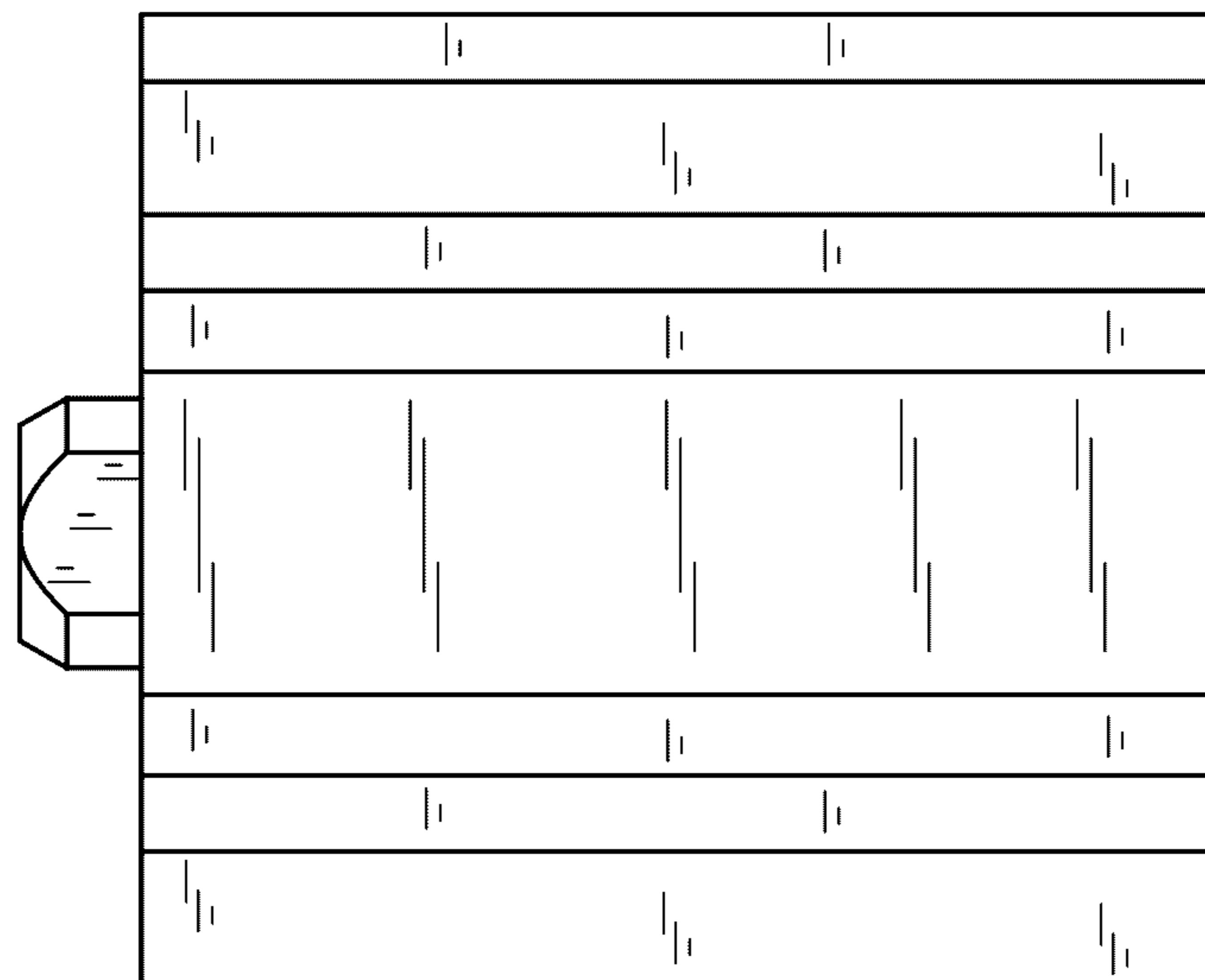


FIG. 8

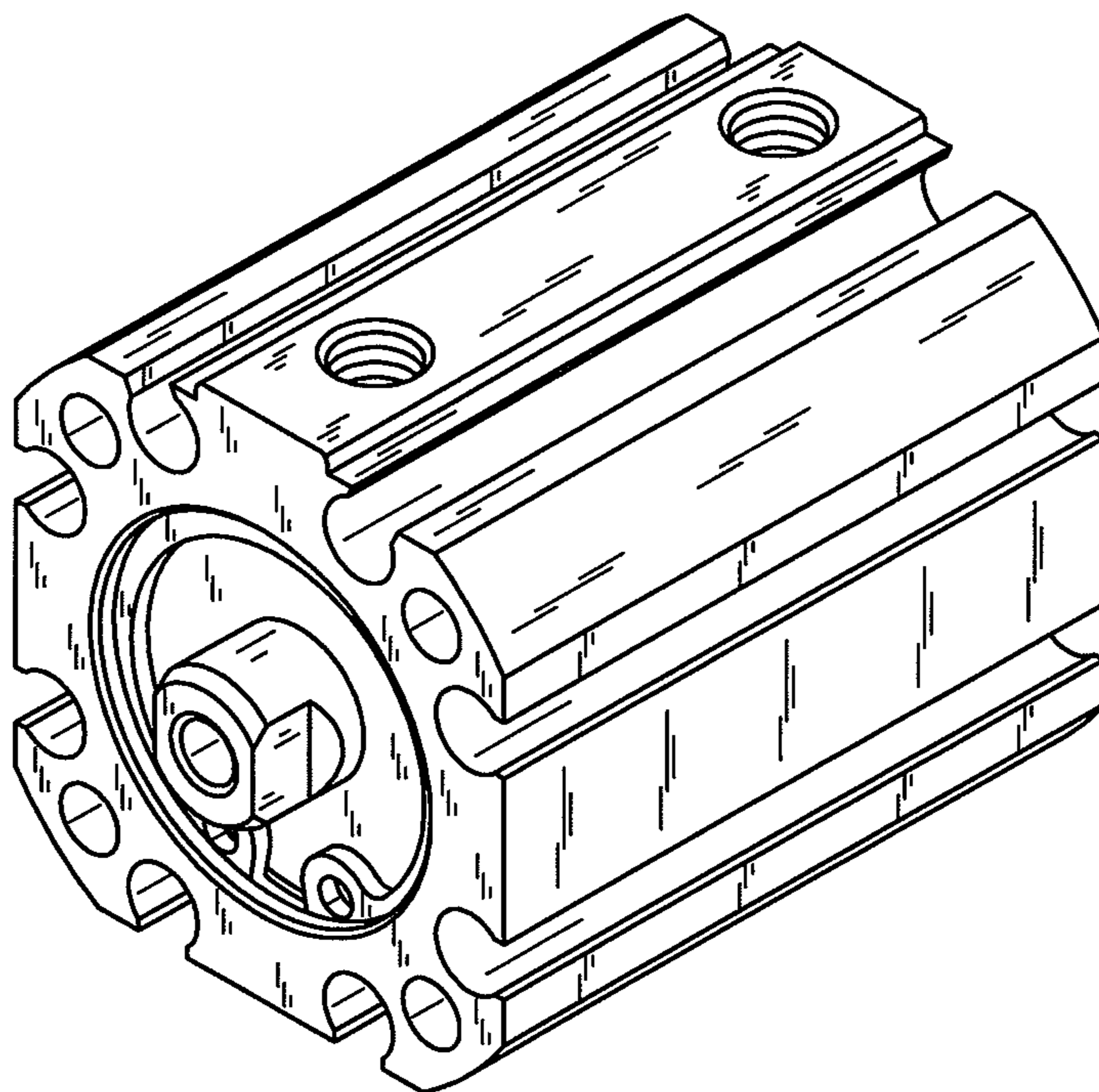


FIG. 9

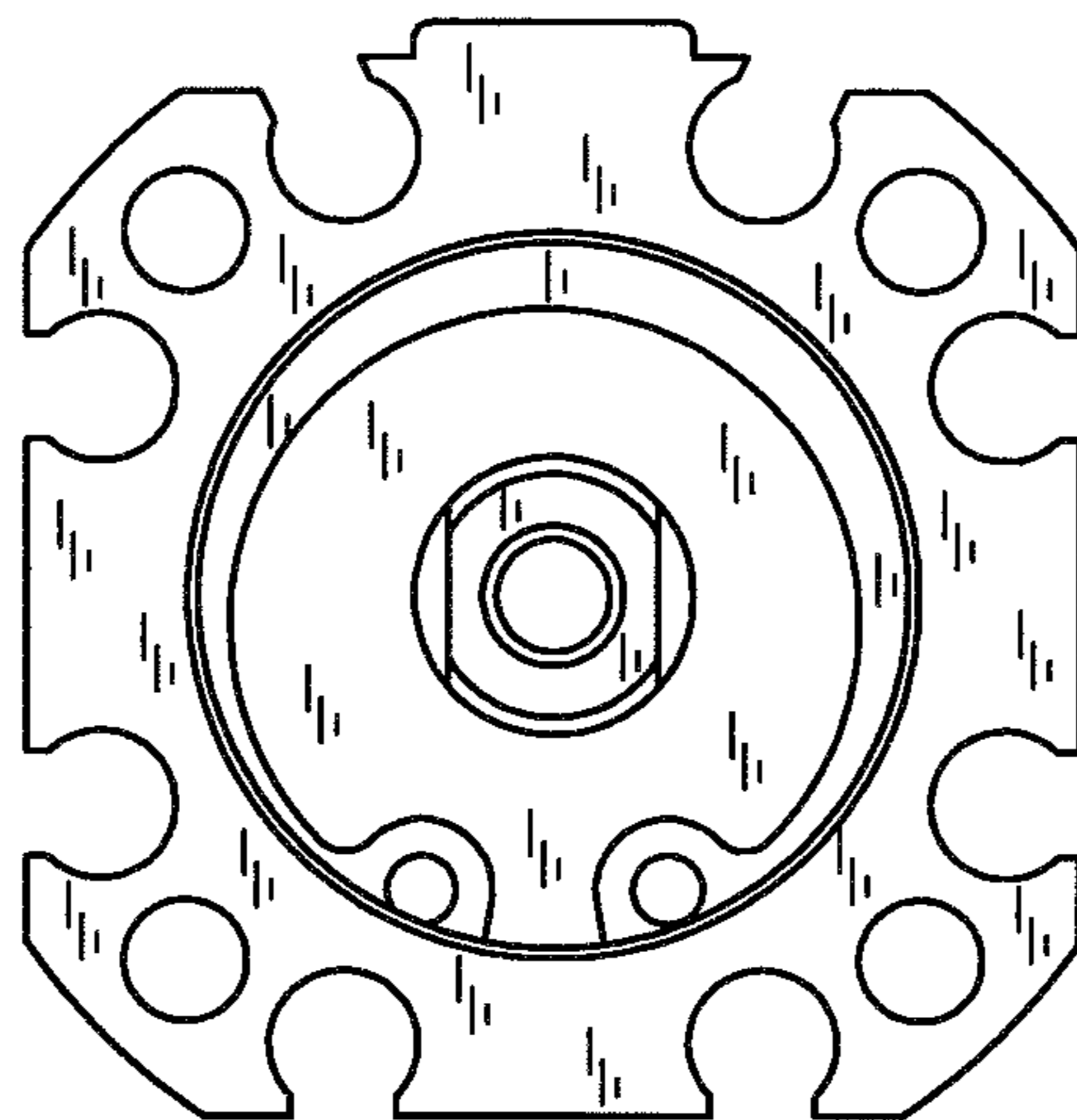


FIG. 10

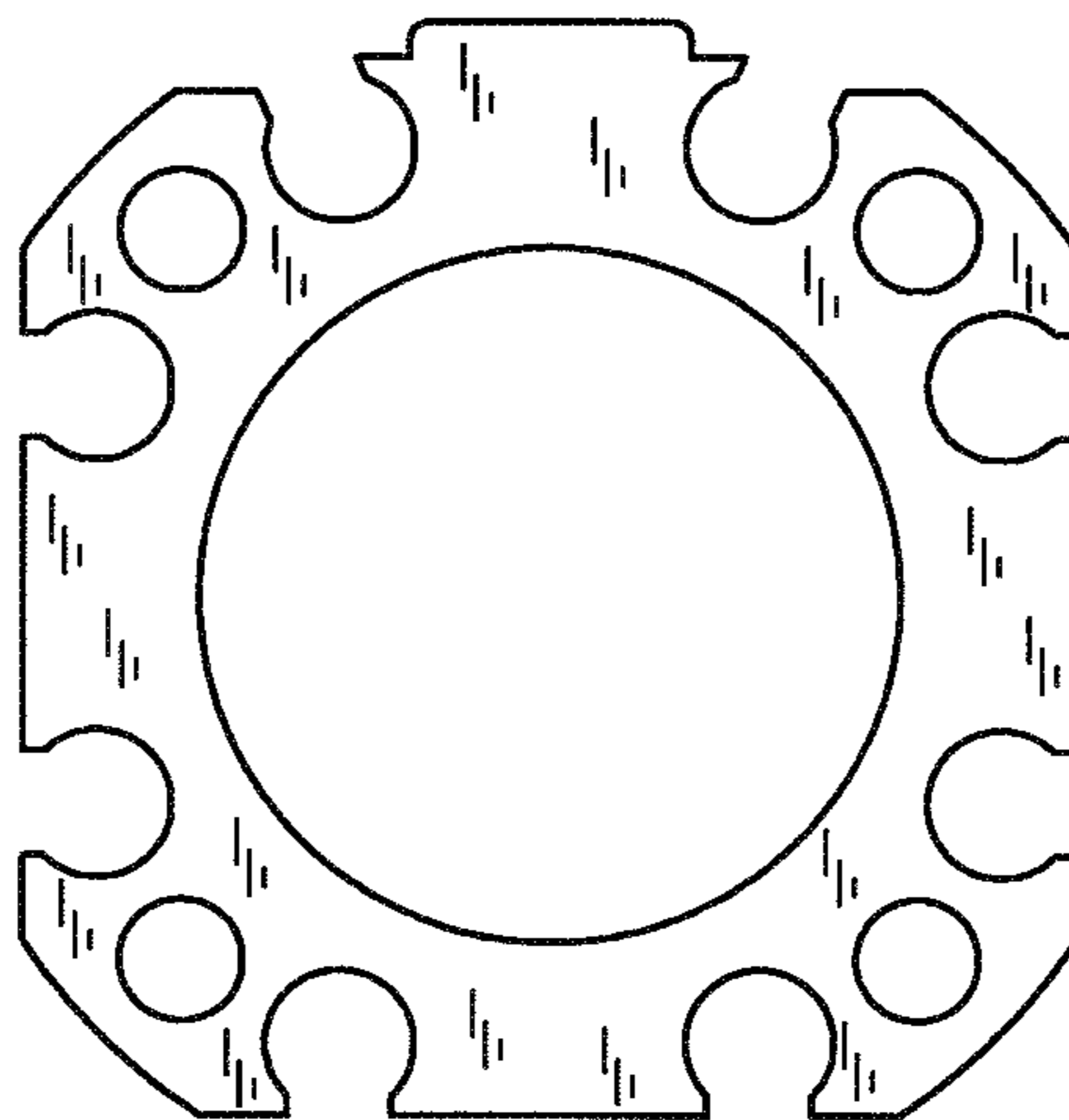


FIG. 11

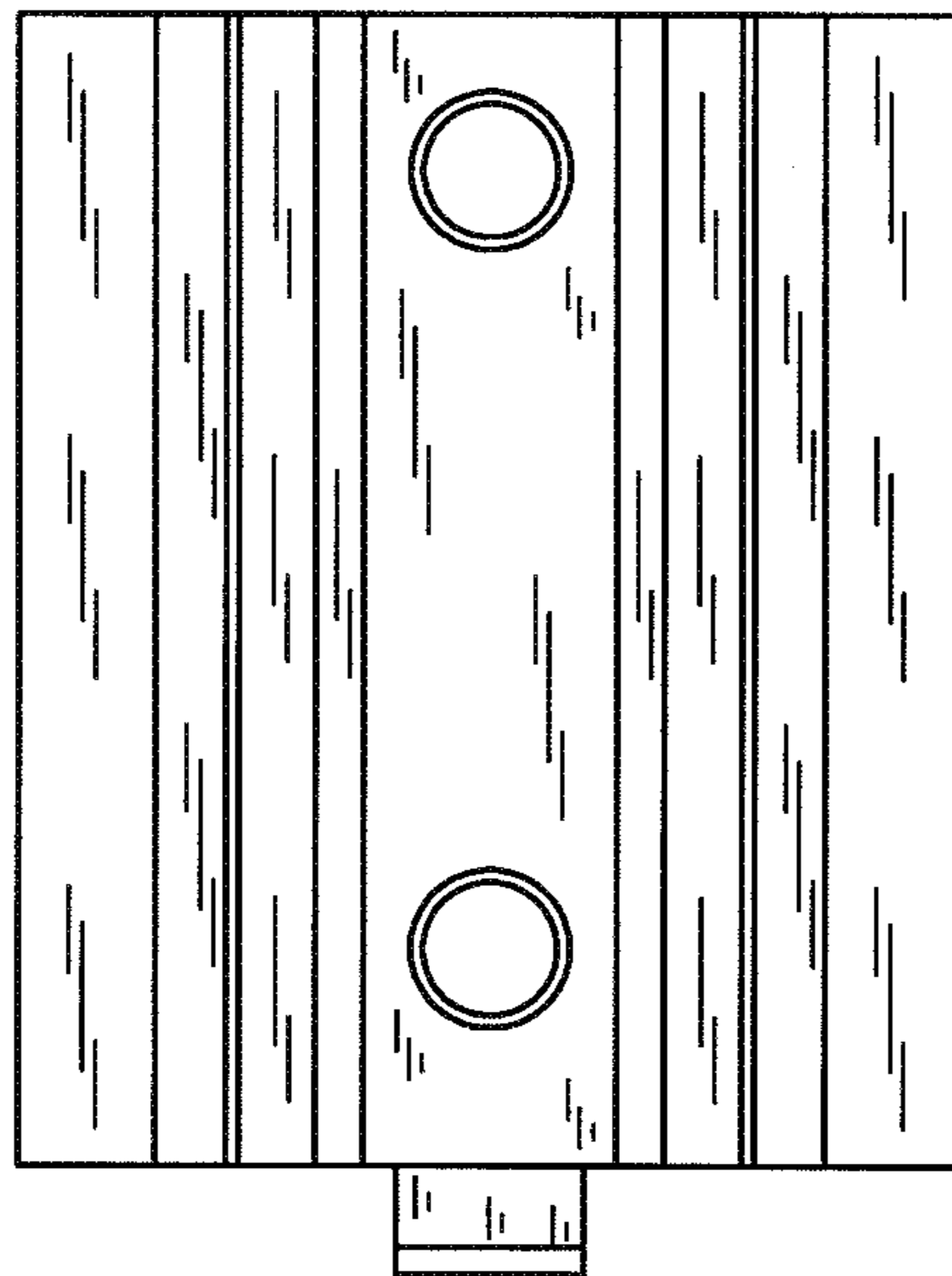


FIG. 12

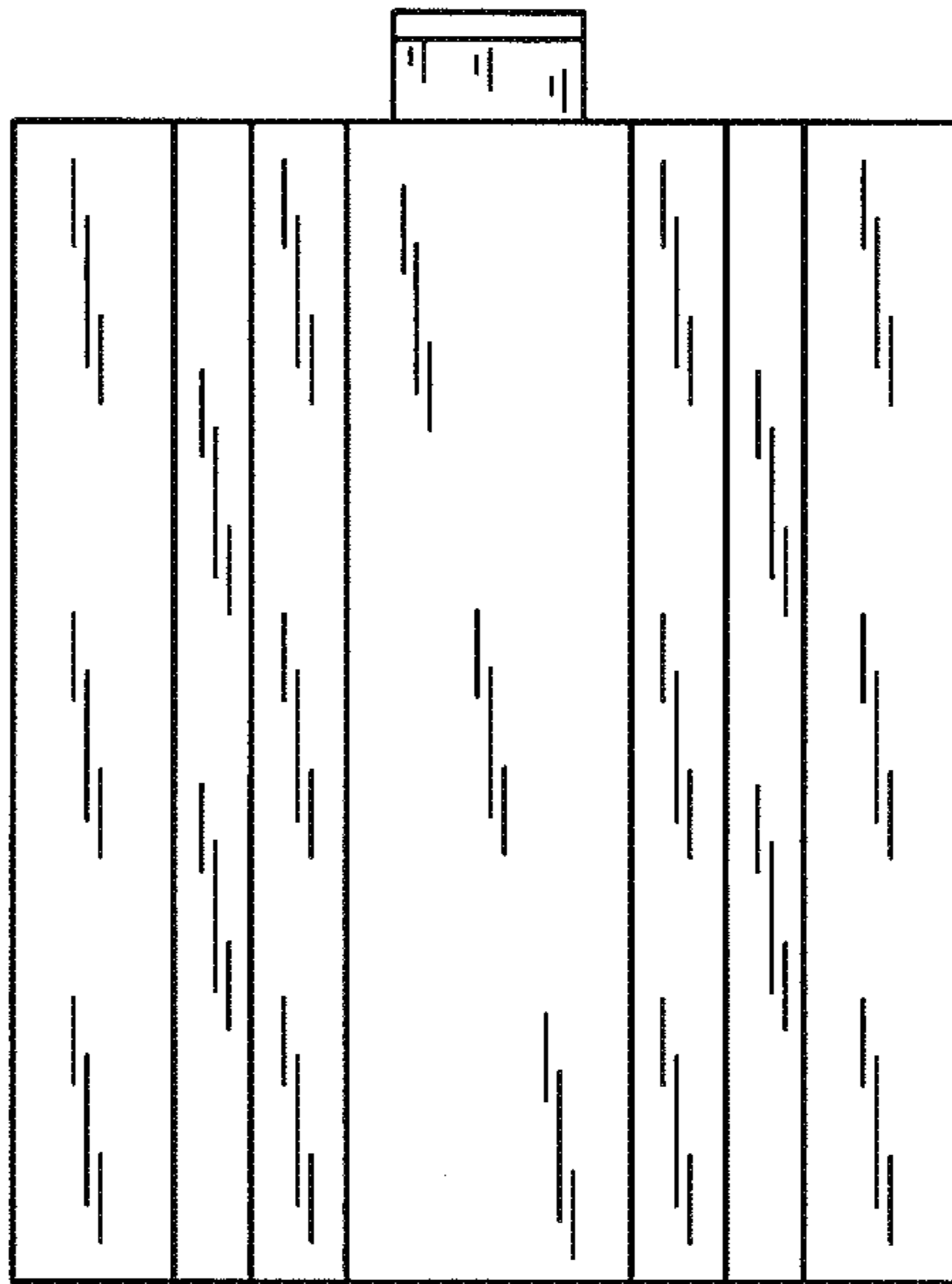


FIG. 13

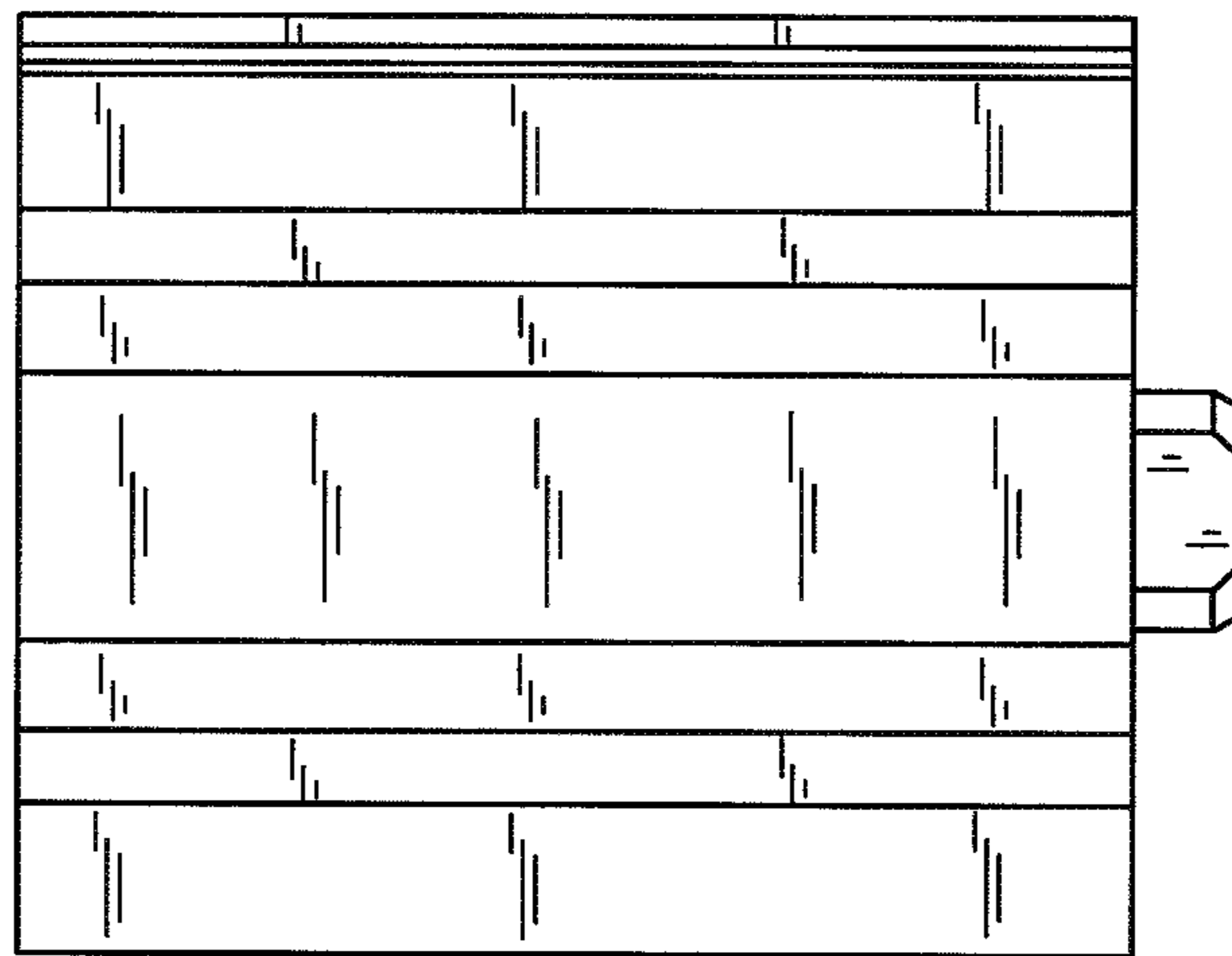


FIG. 14

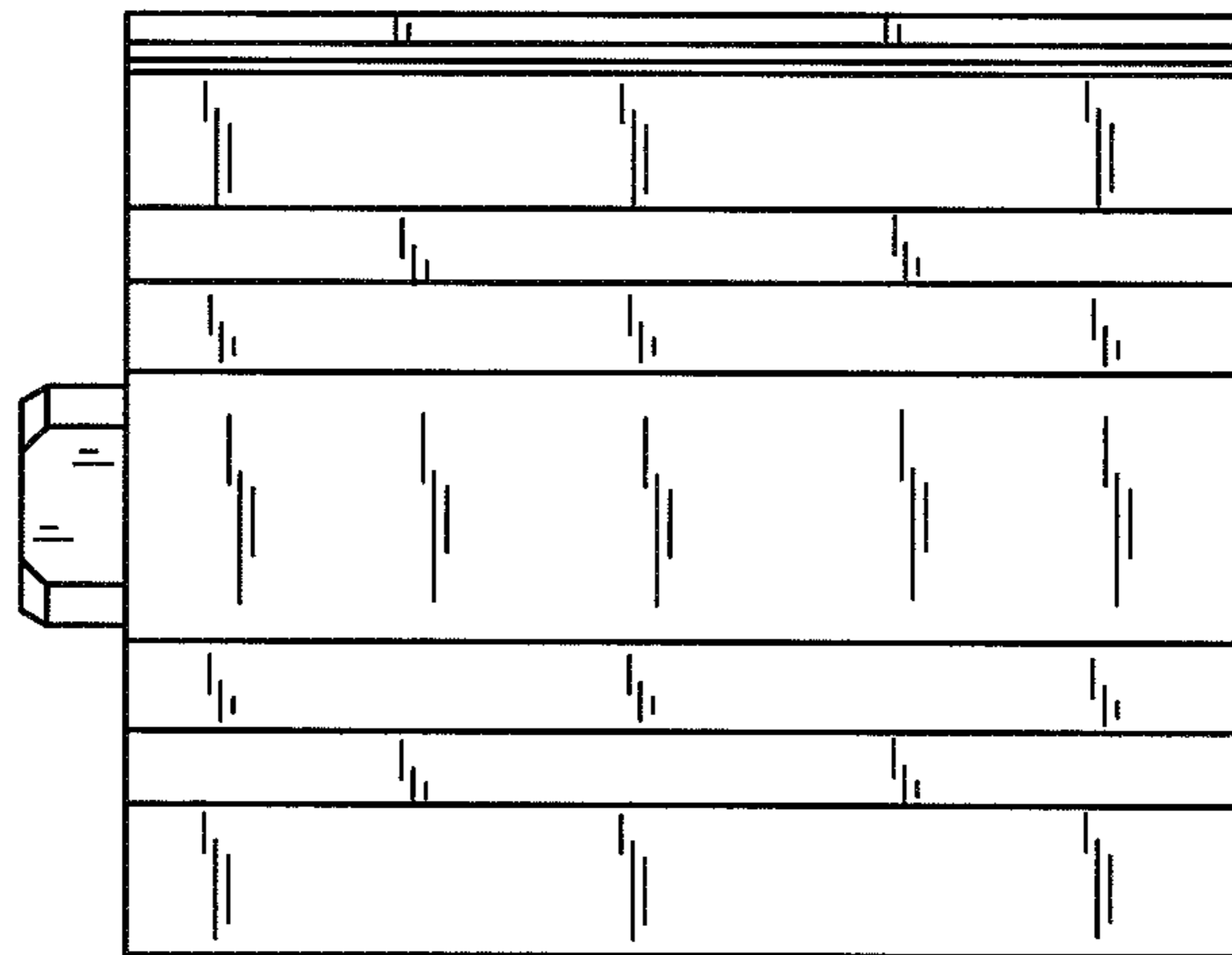


FIG. 15

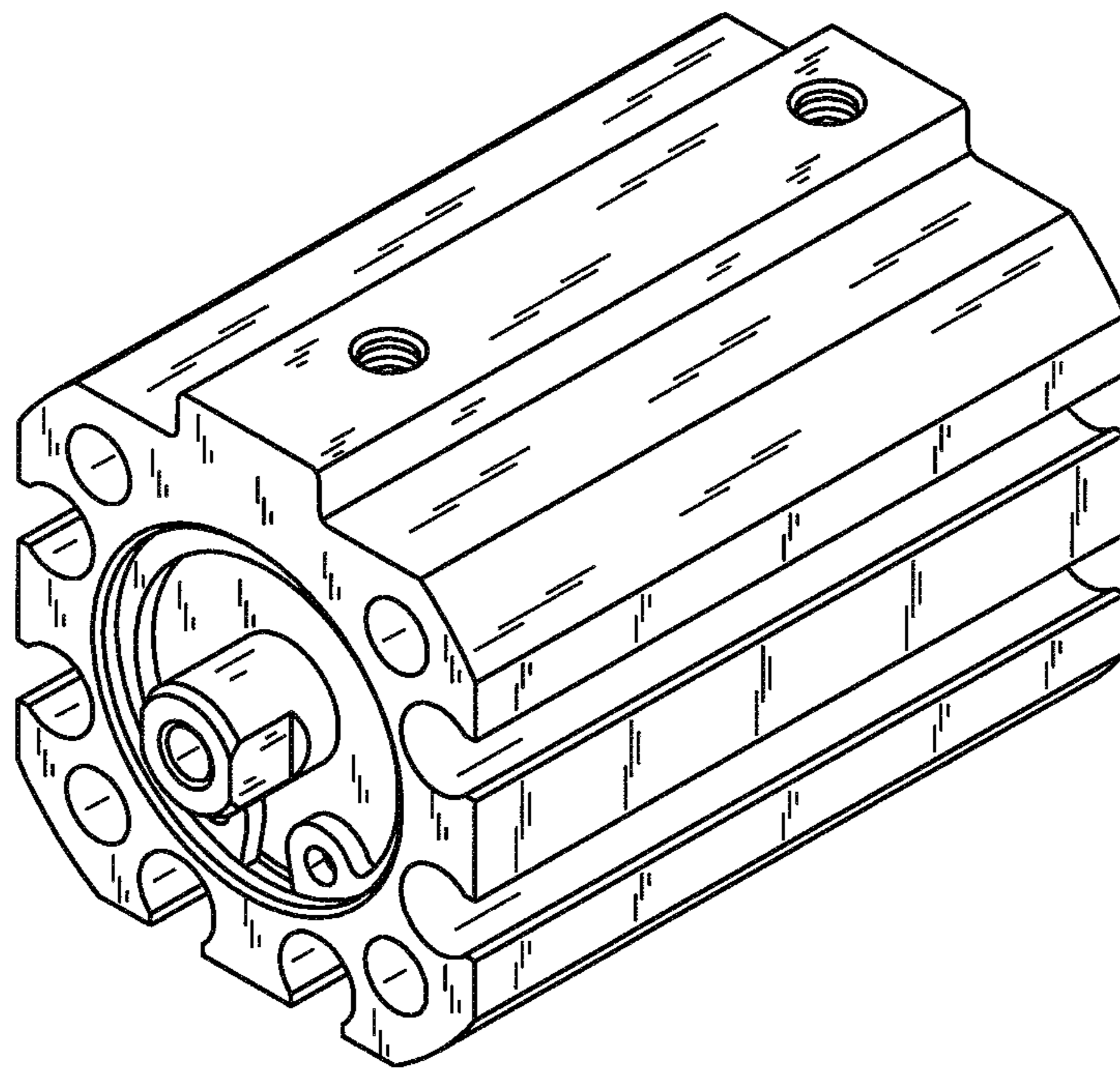


FIG. 16

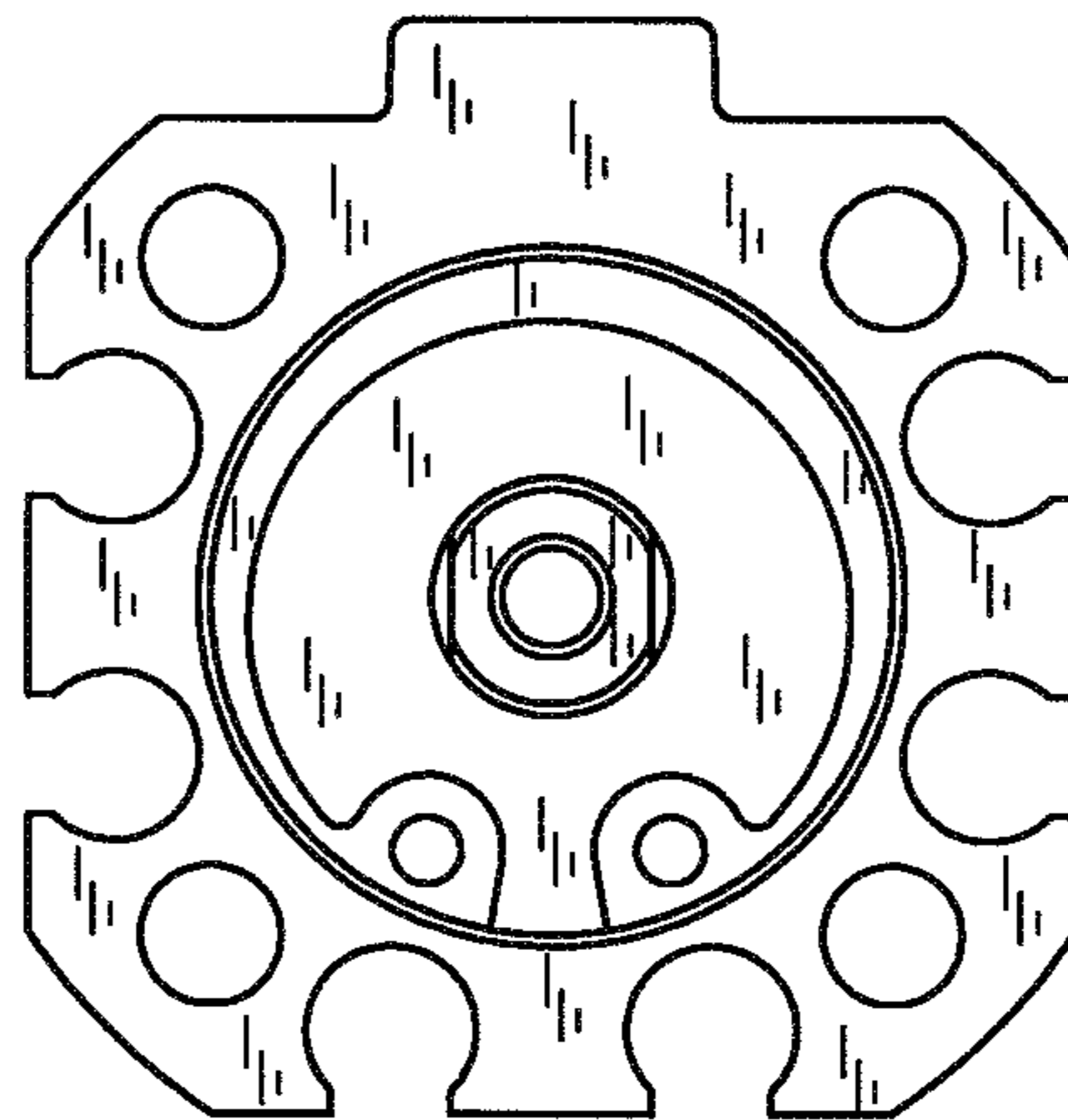


FIG. 17

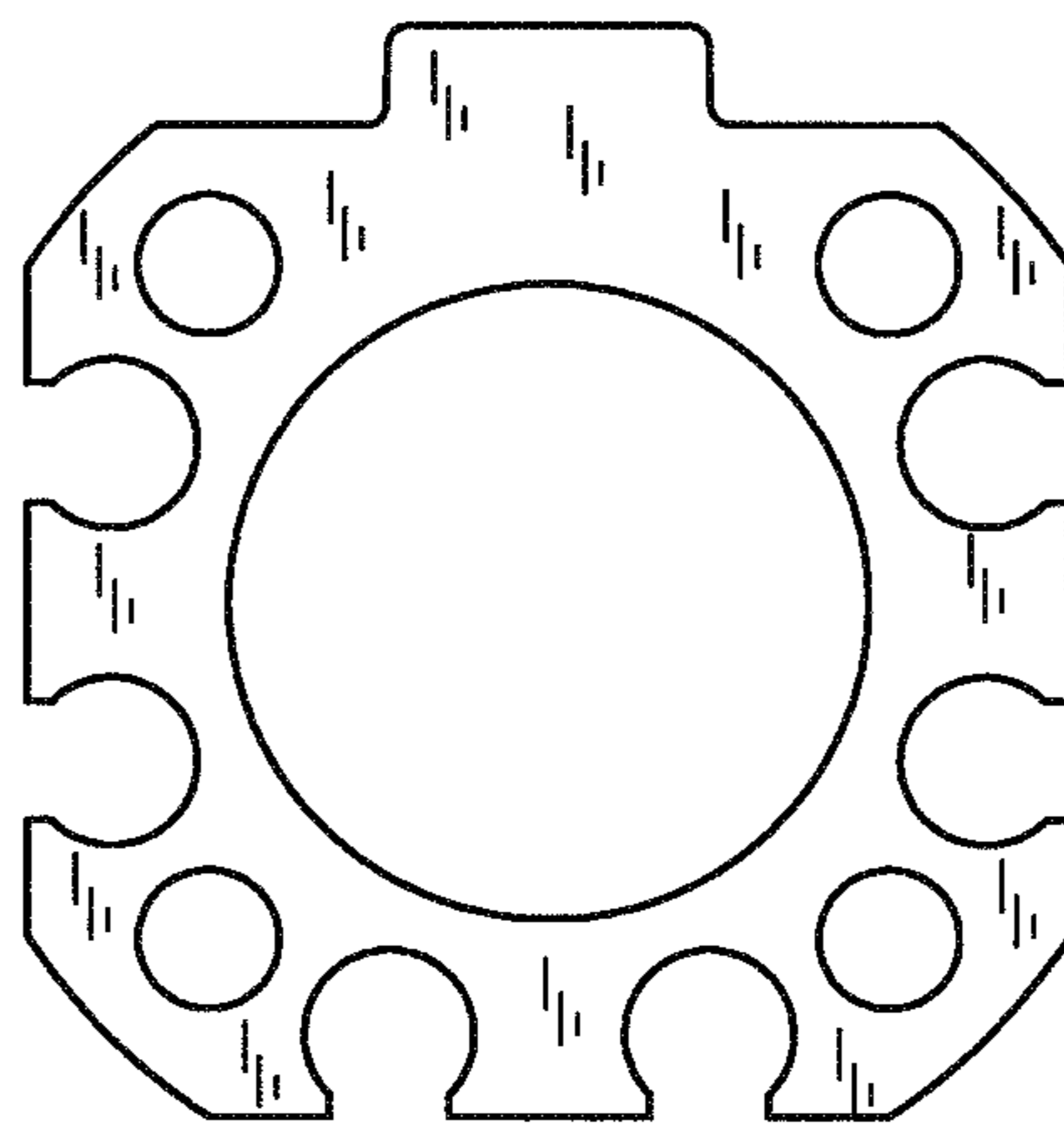


FIG. 18

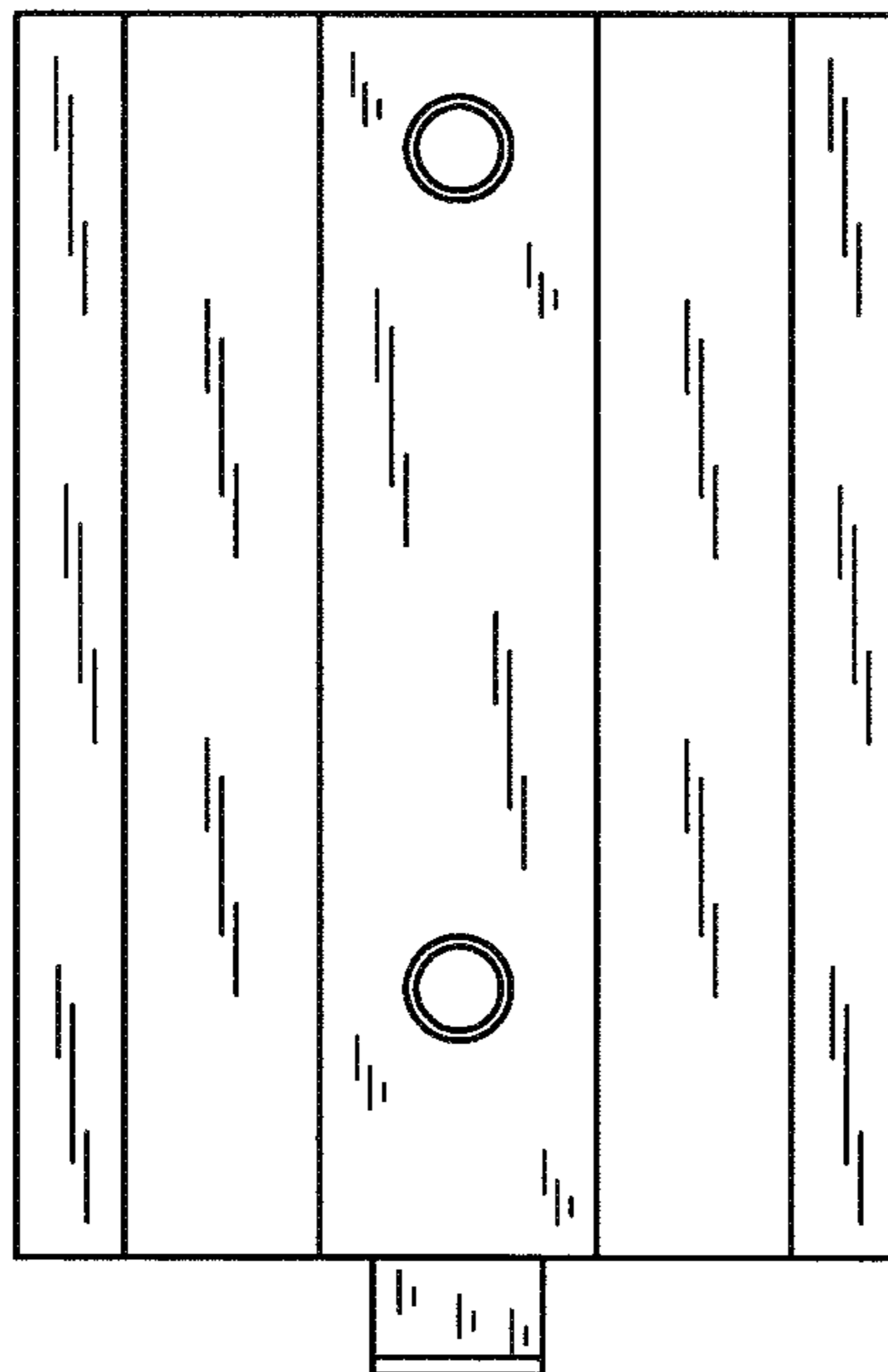


FIG. 19

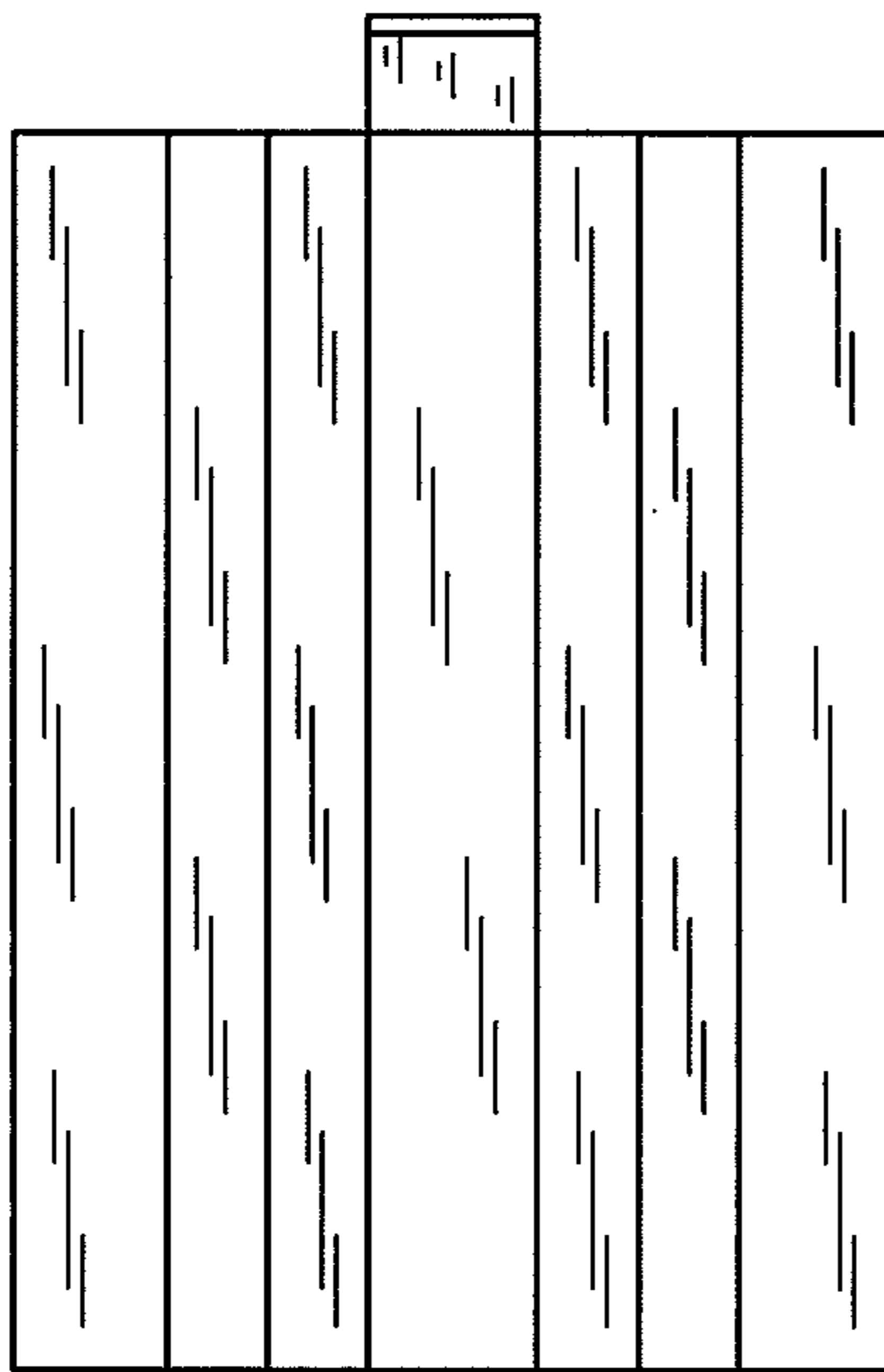


FIG. 20

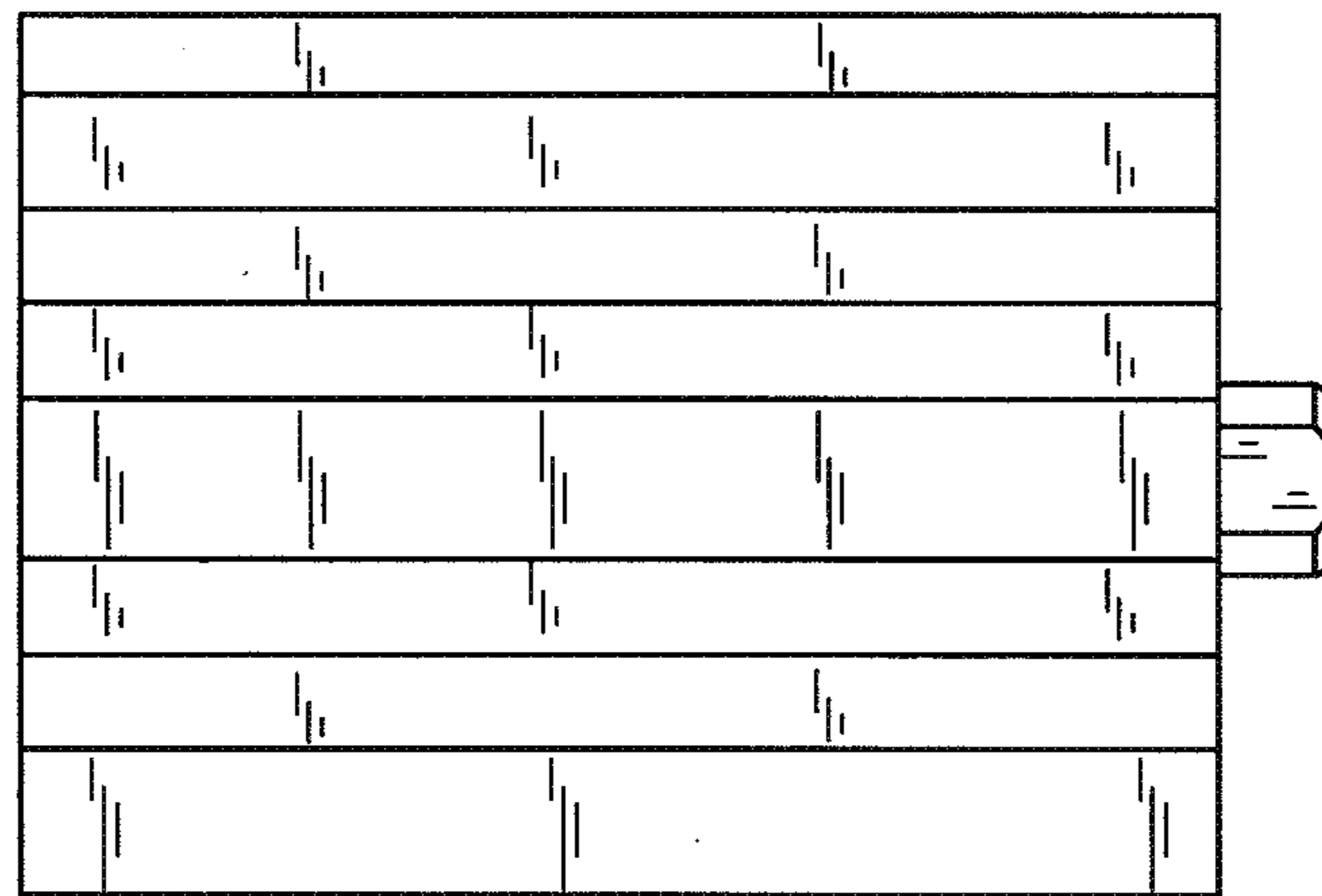


FIG. 21

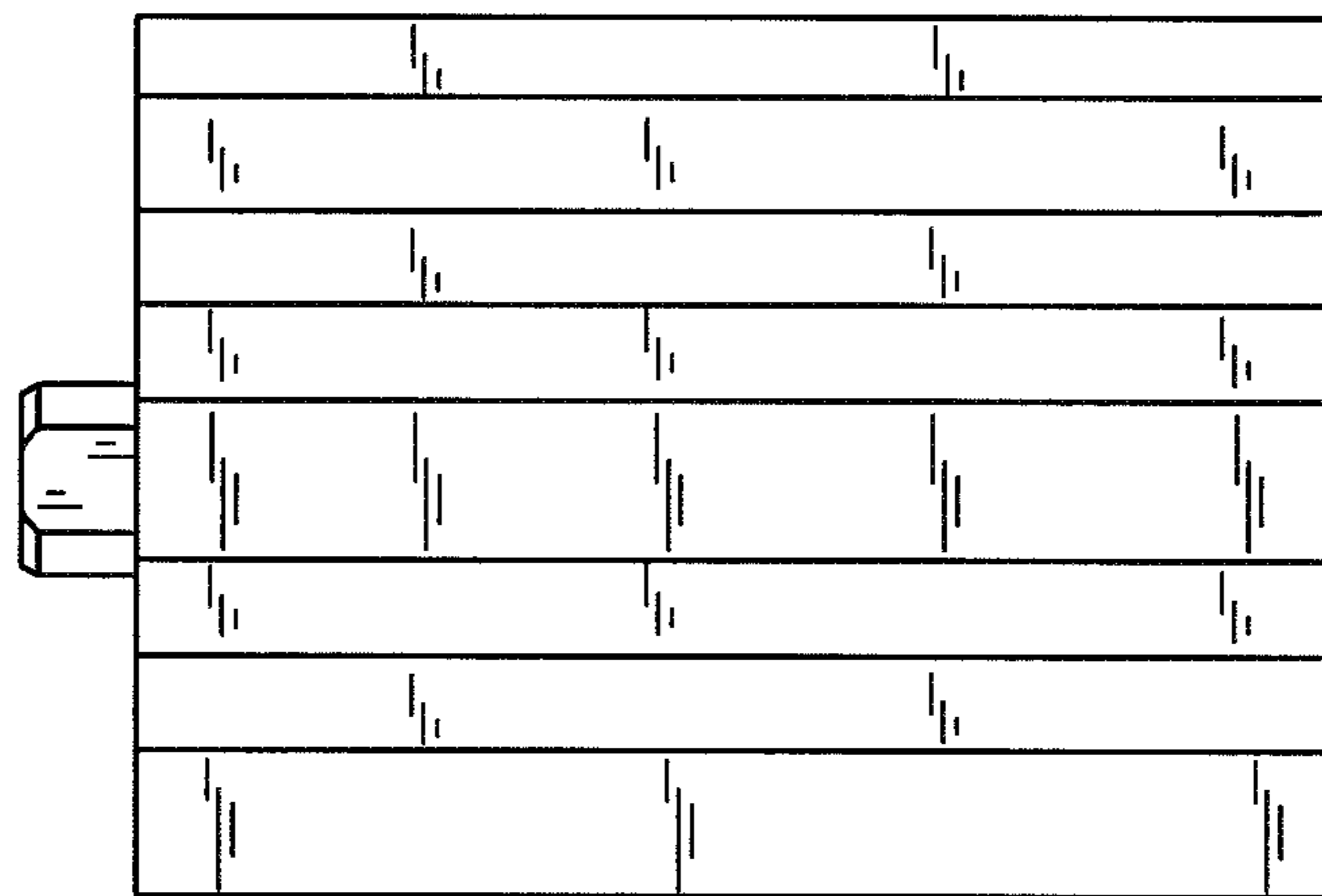


FIG. 22

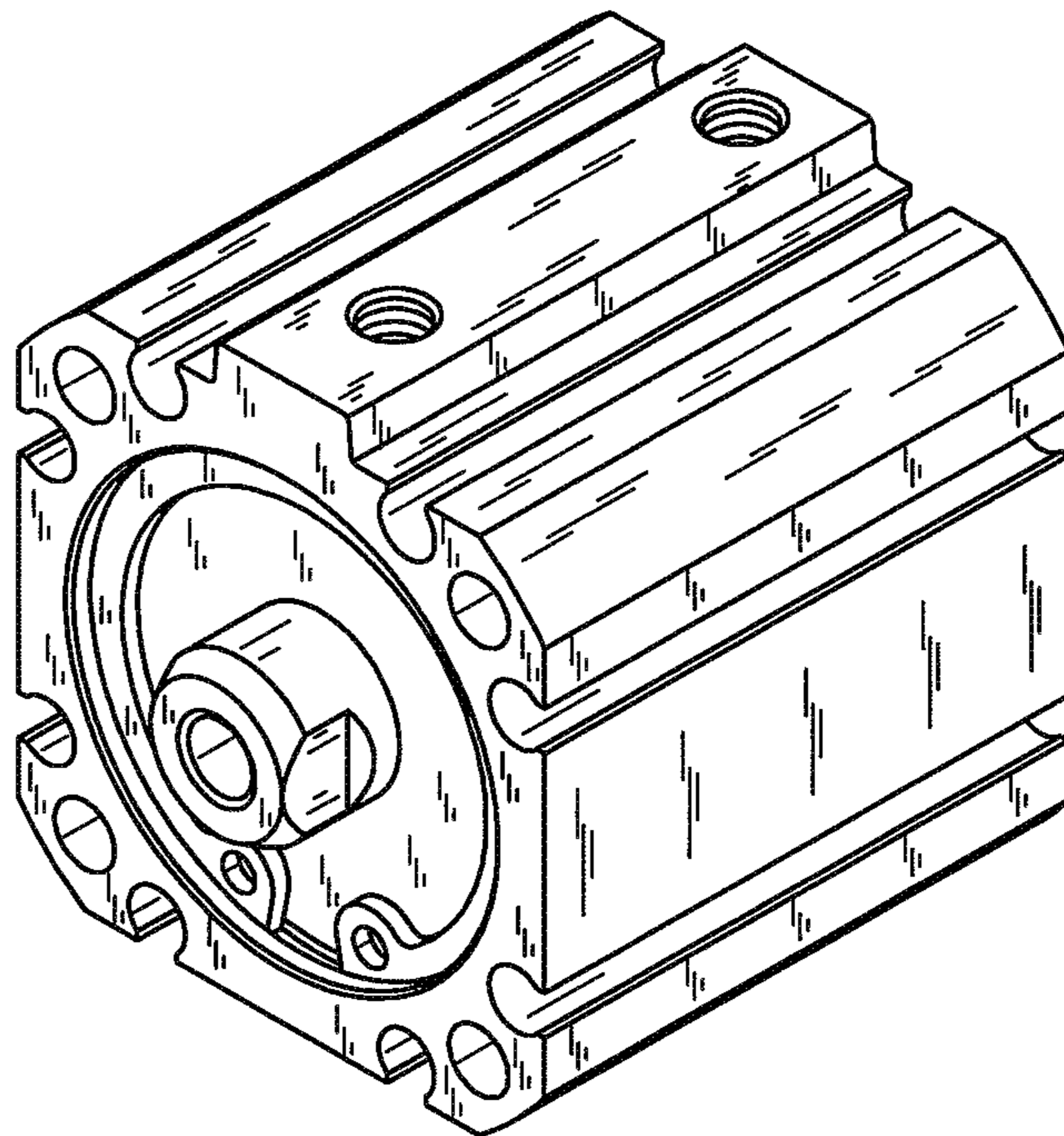


FIG. 23

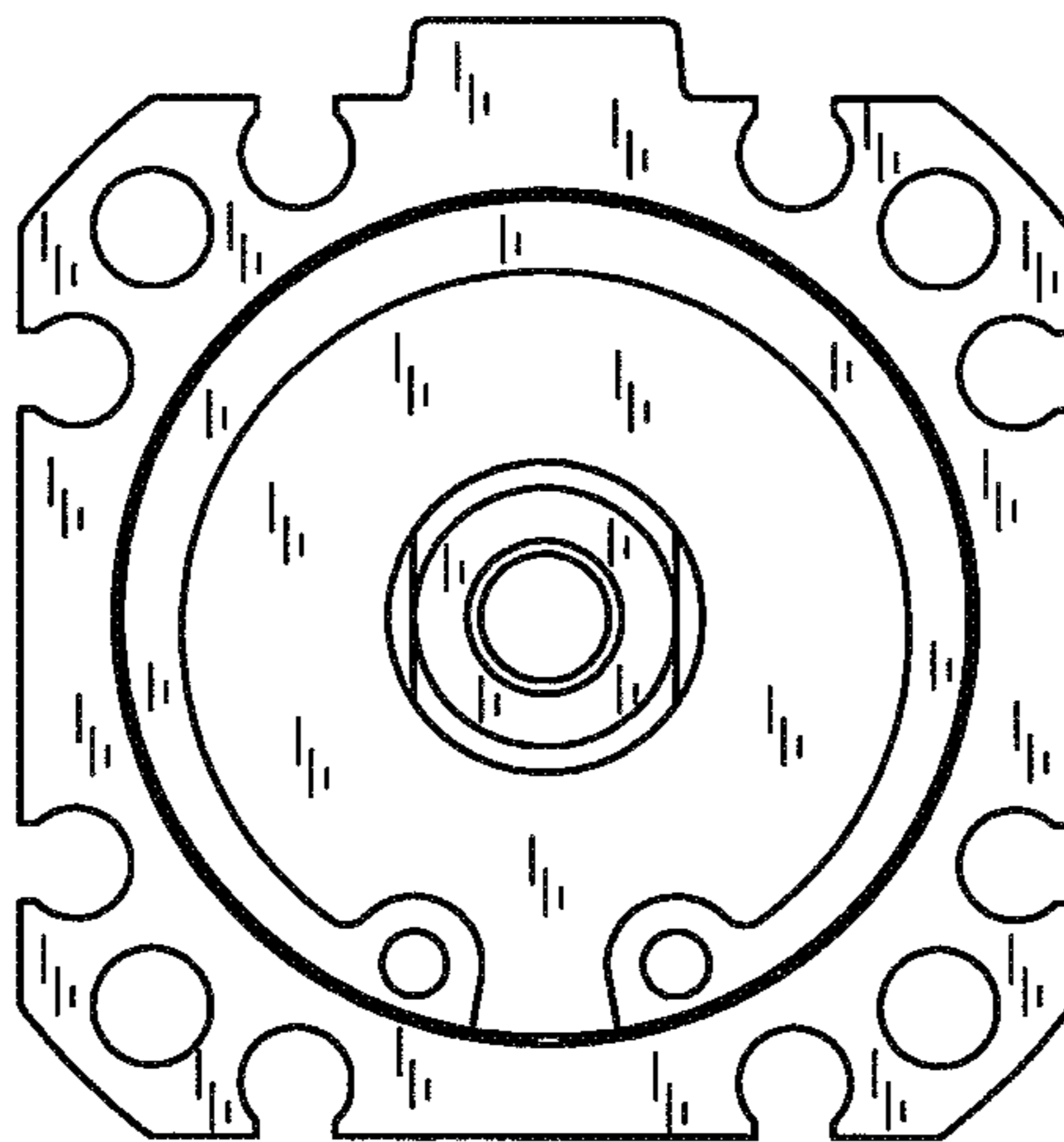


FIG. 24

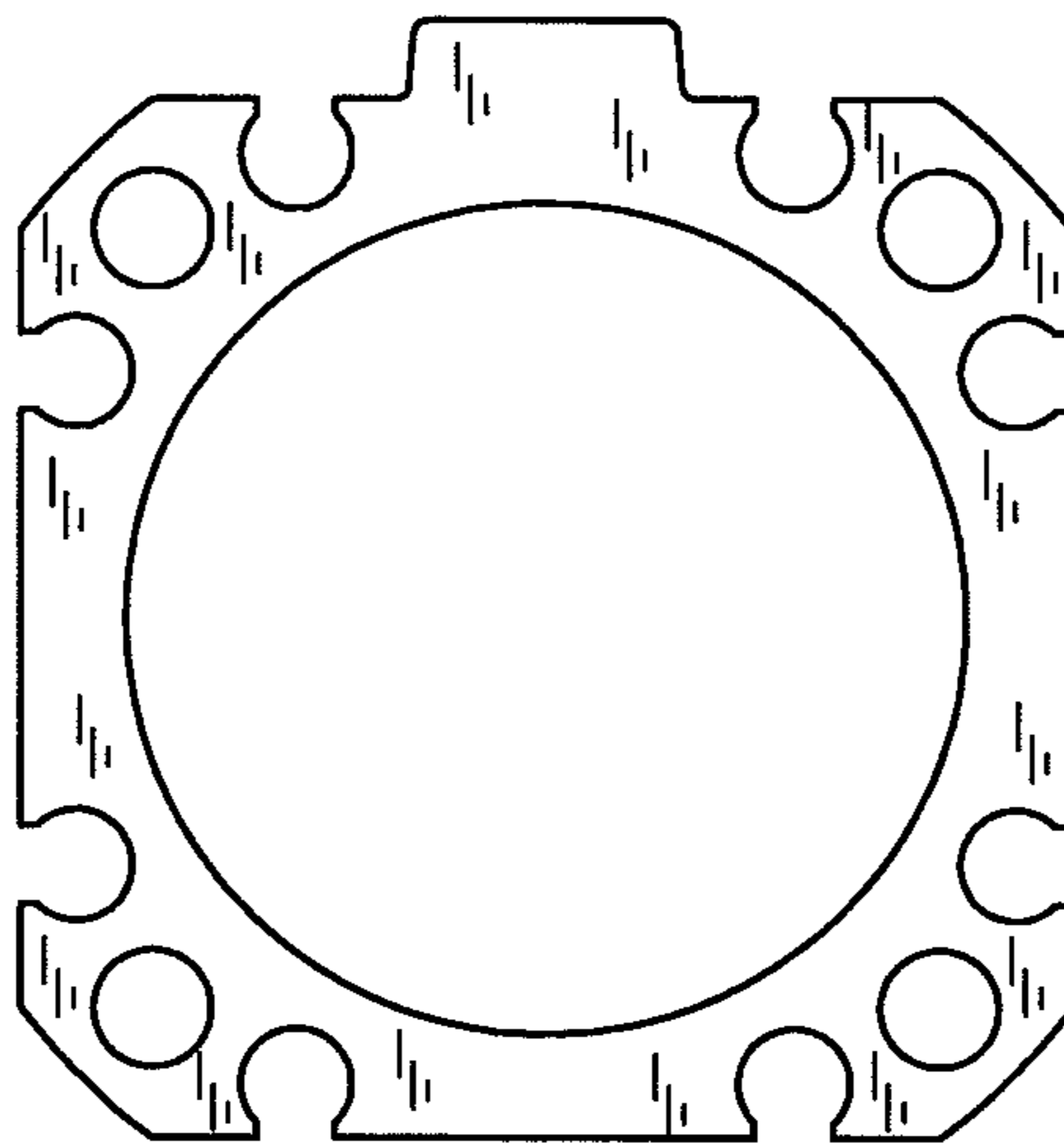


FIG. 25

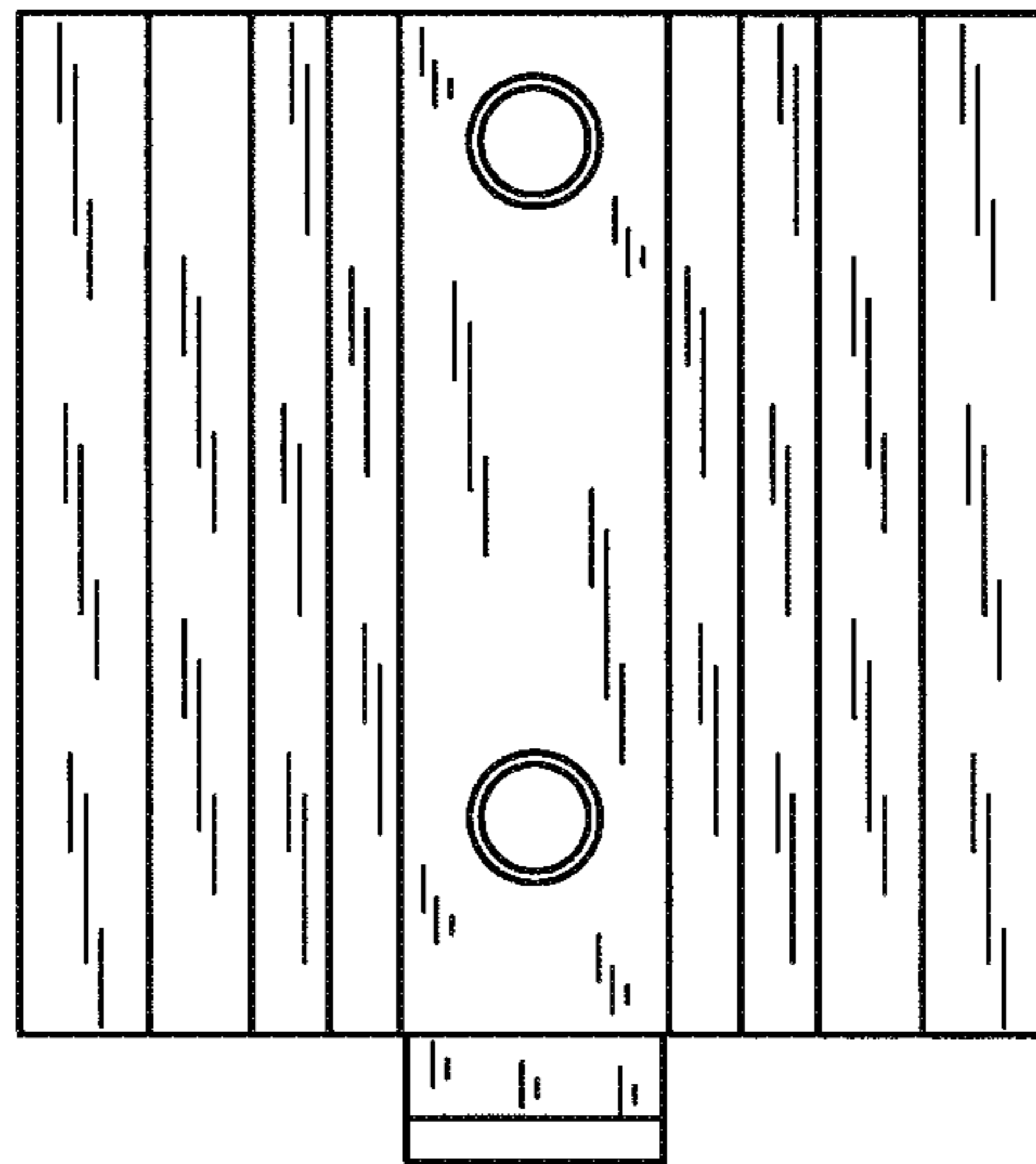


FIG. 26

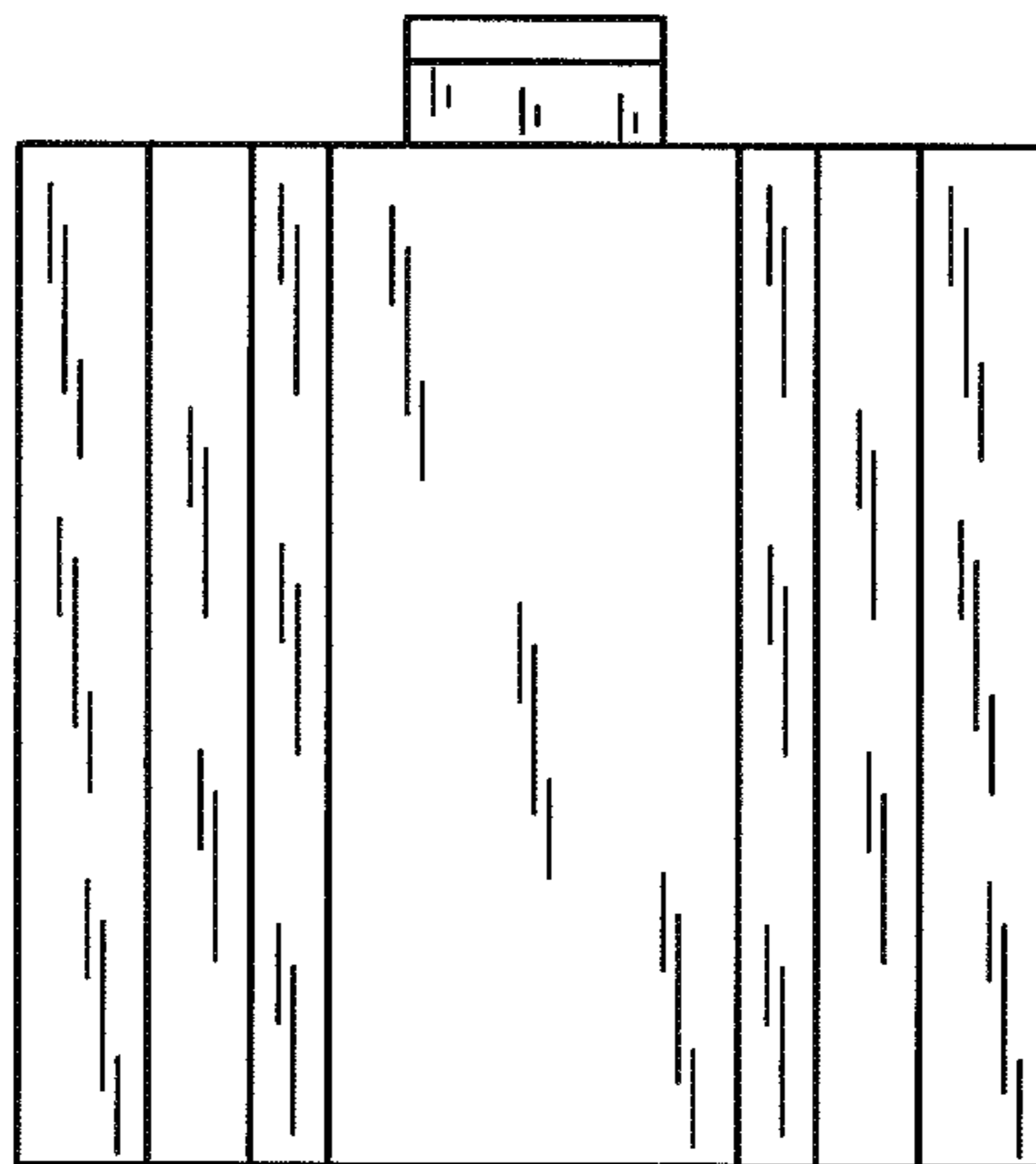


FIG. 27

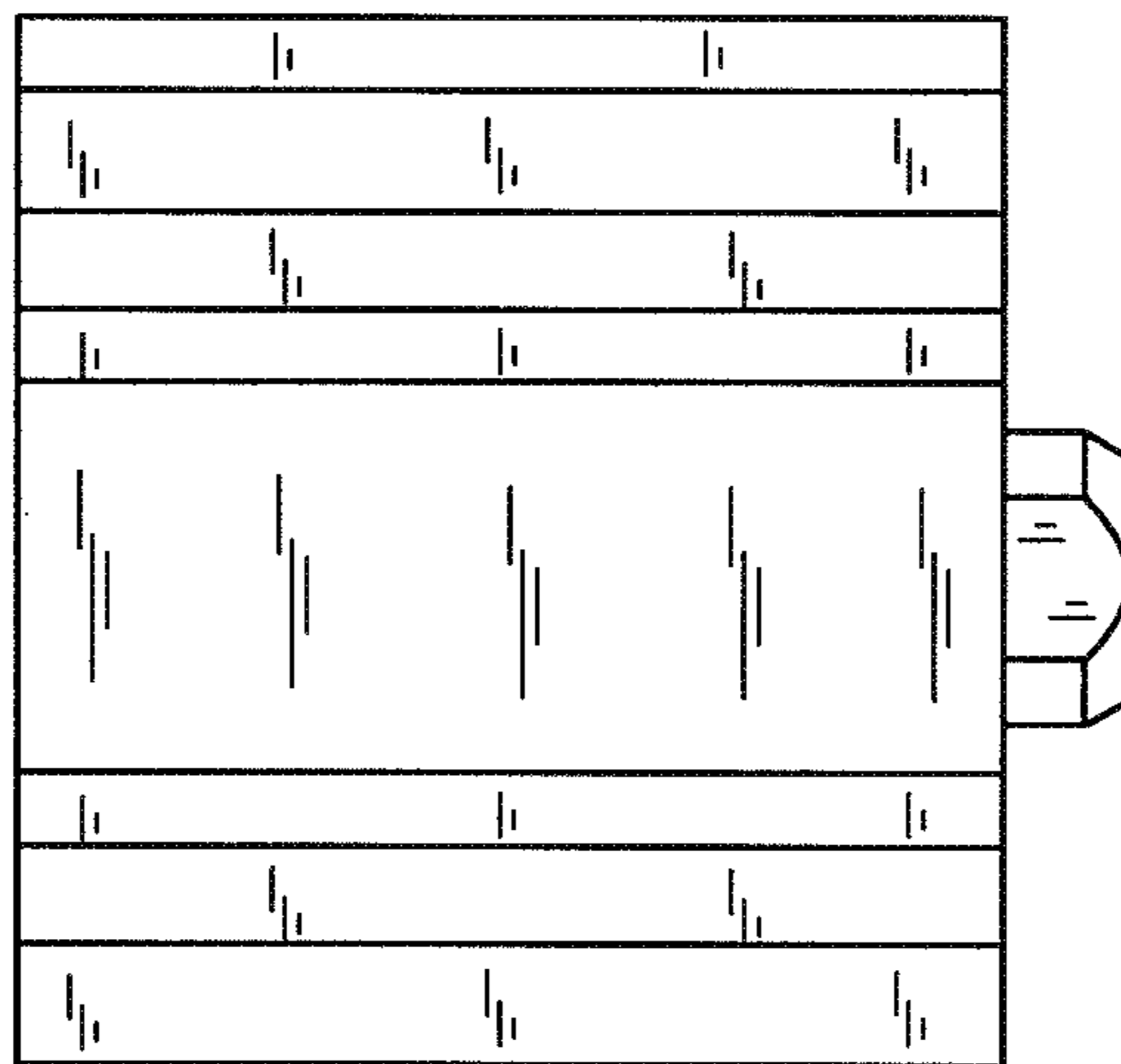


FIG. 28

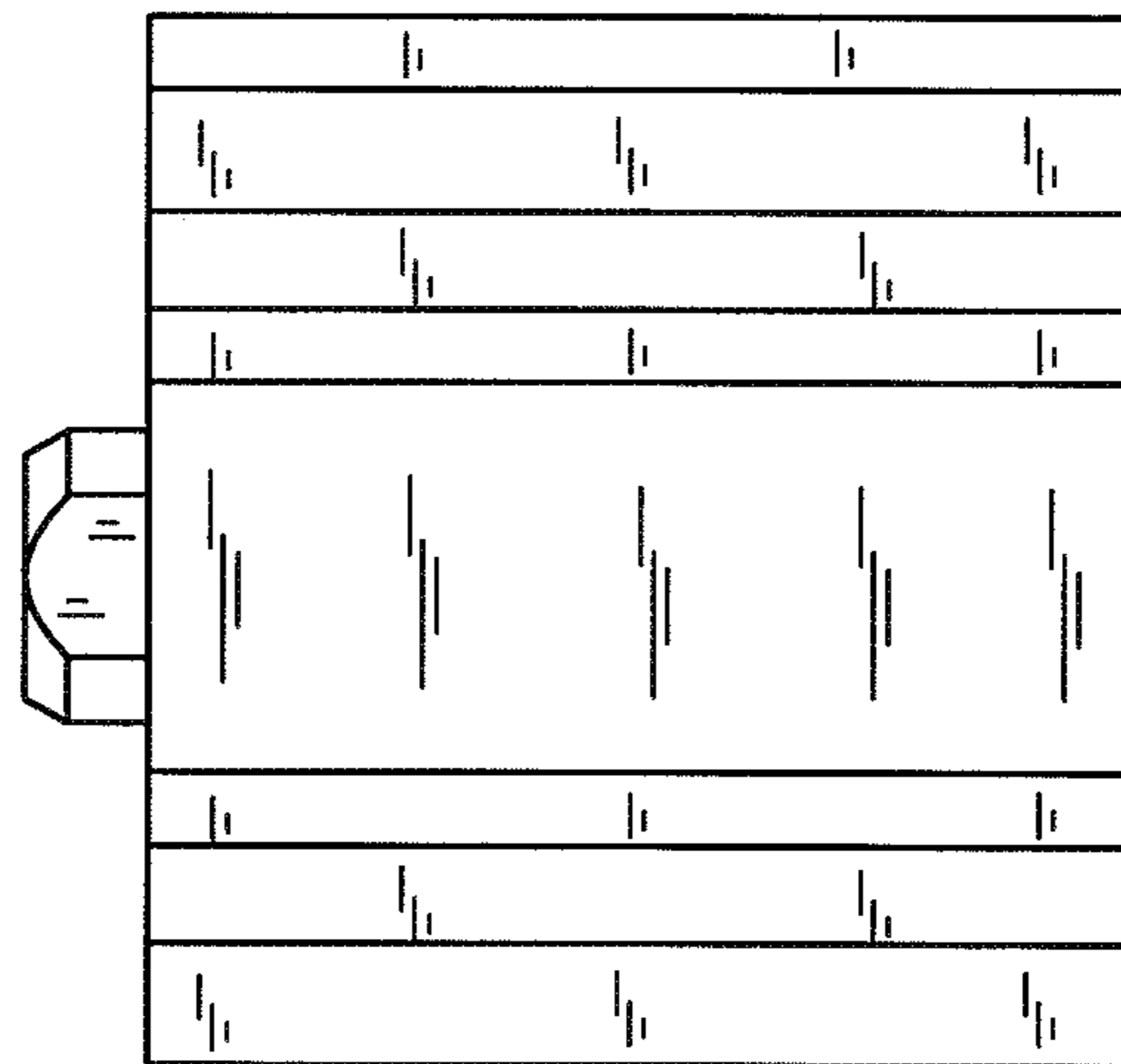


FIG. 29

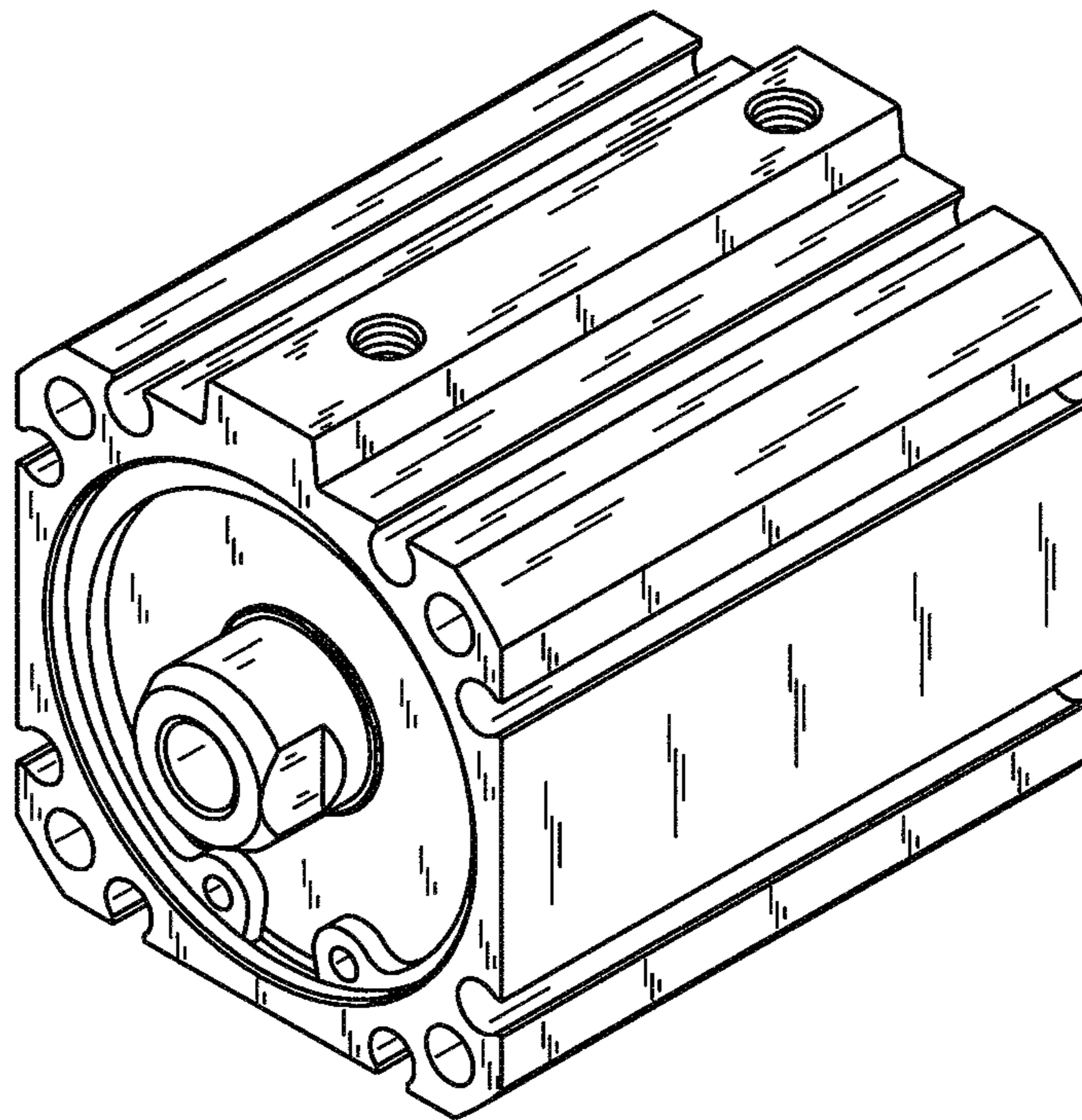


FIG. 30

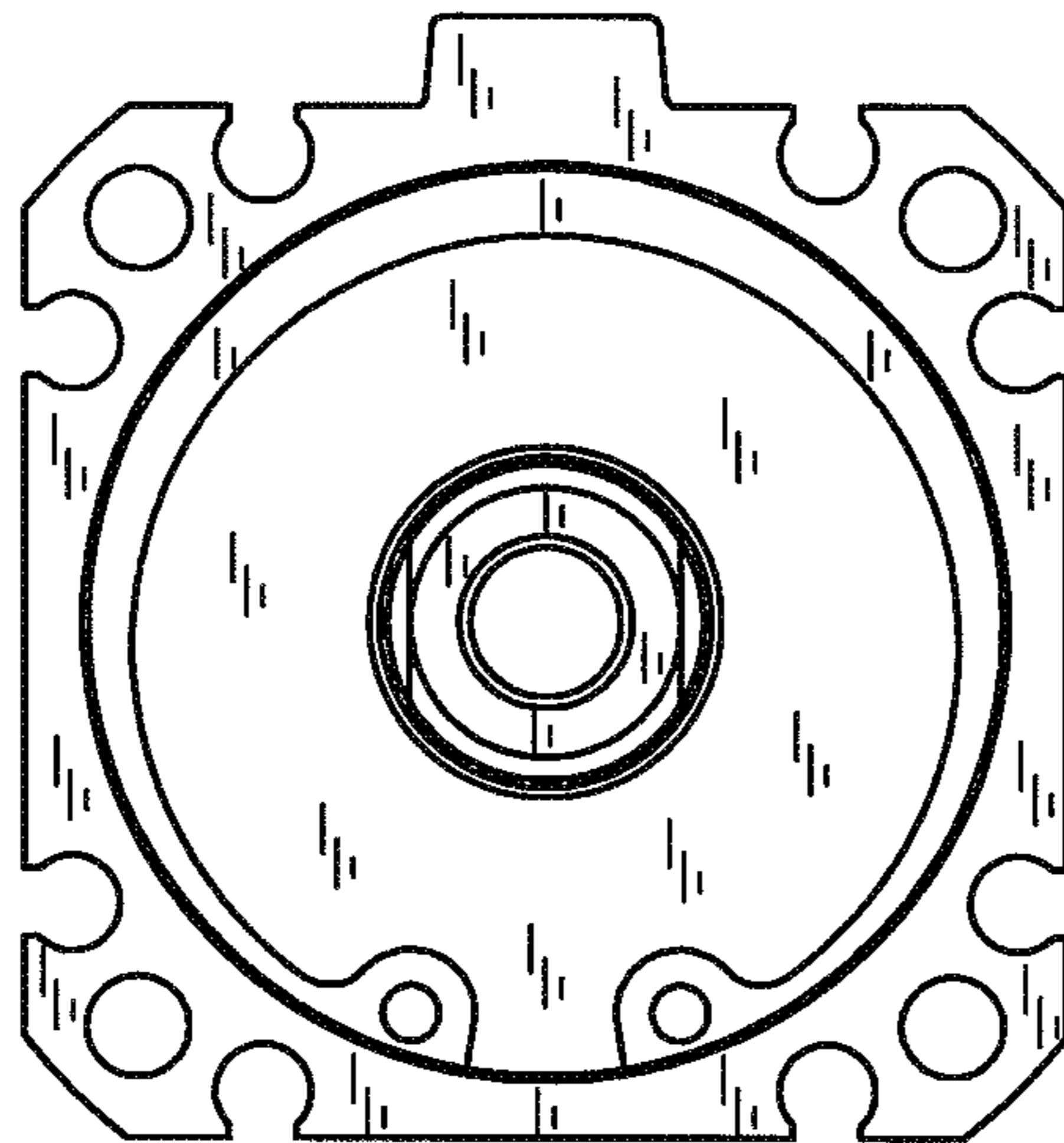


FIG. 31

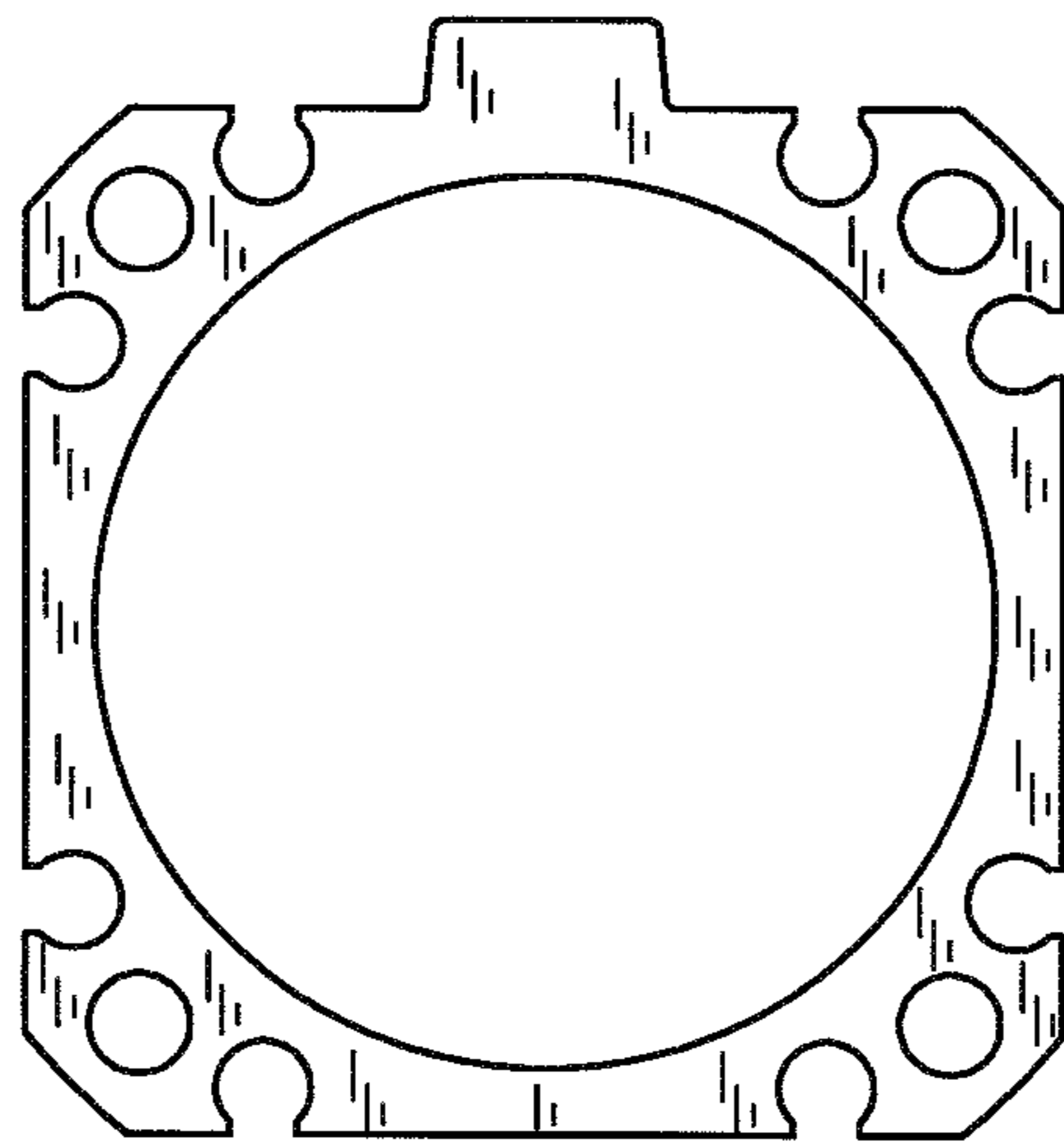


FIG. 32

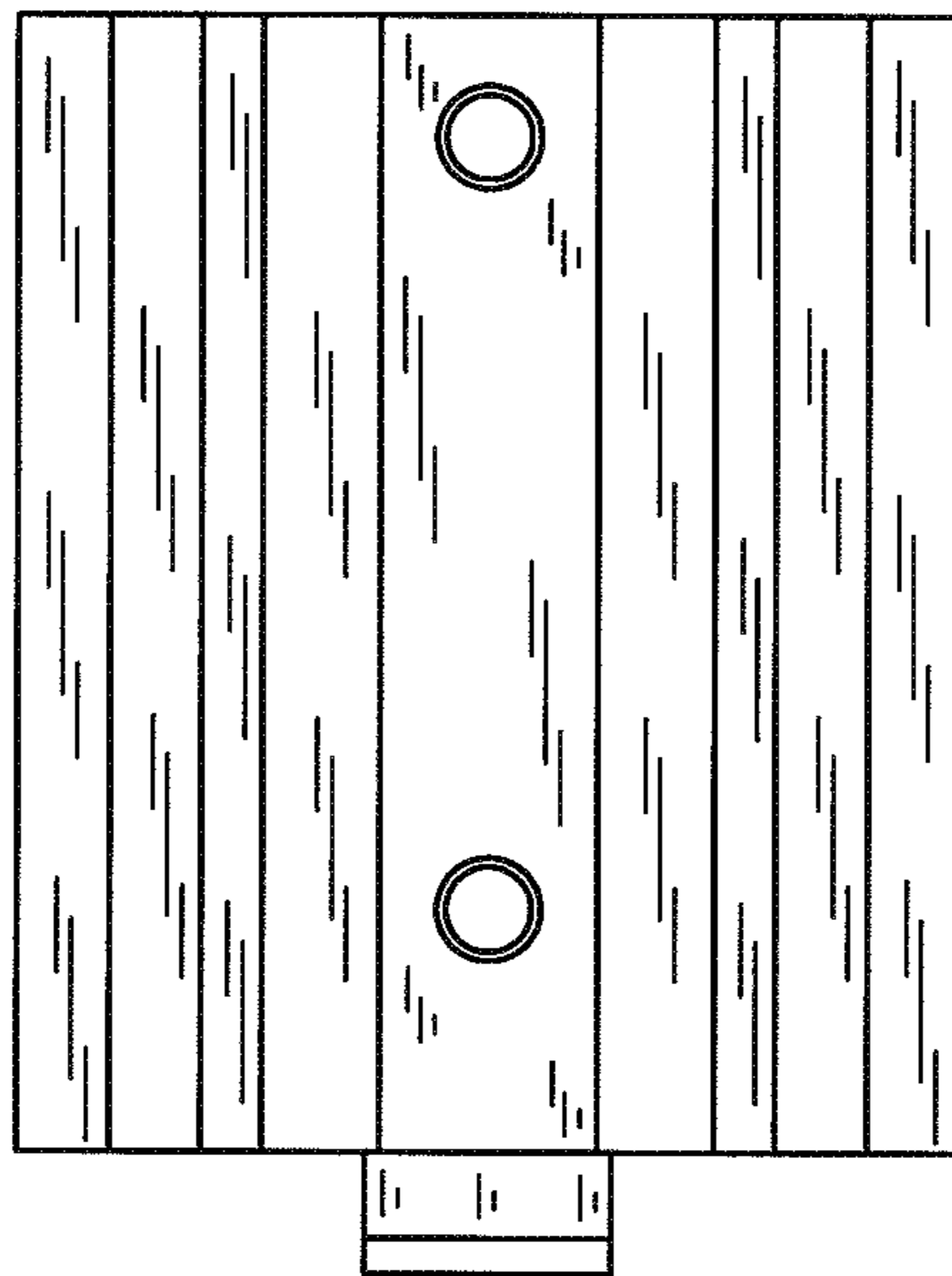


FIG. 33

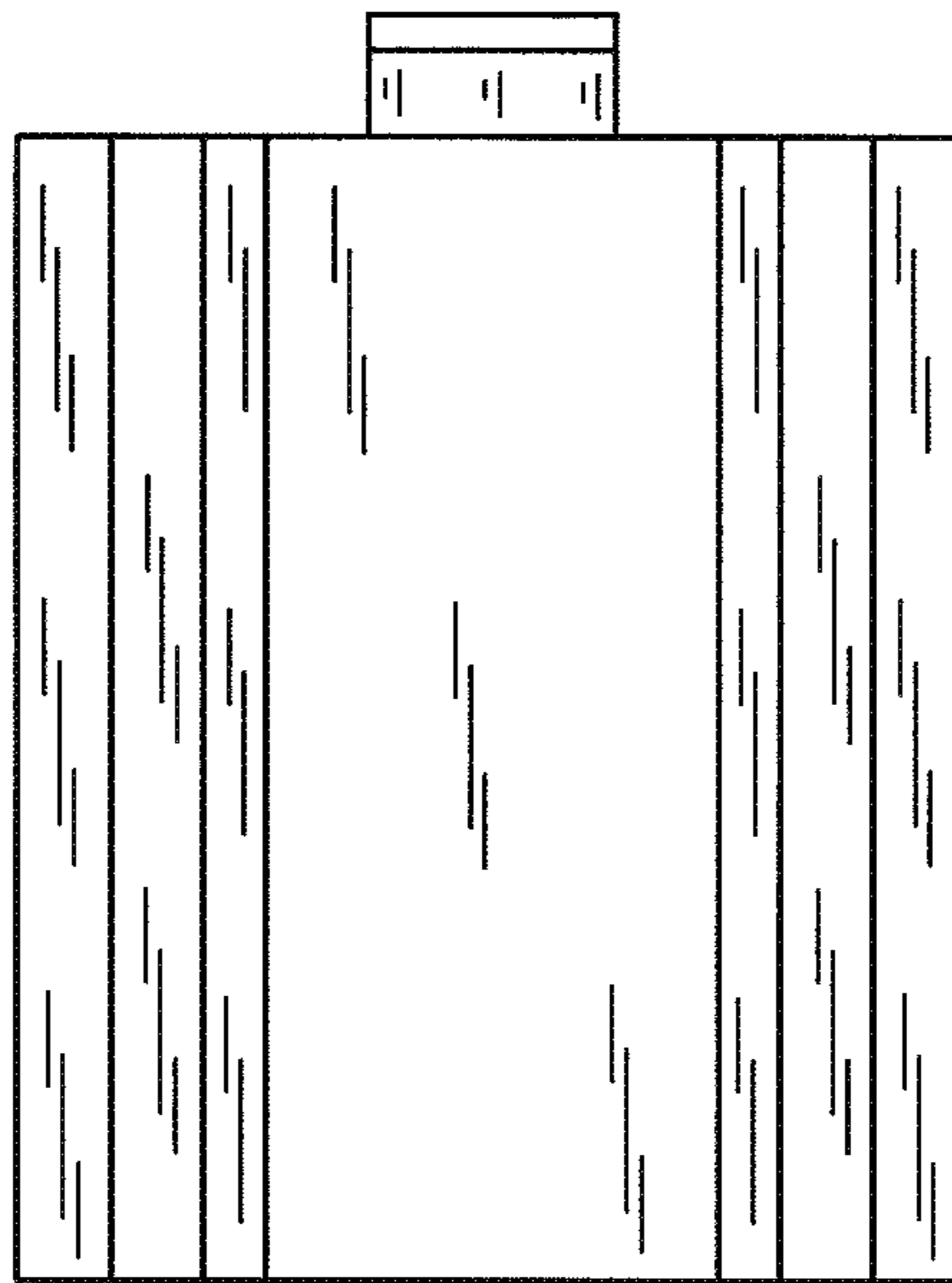


FIG. 34

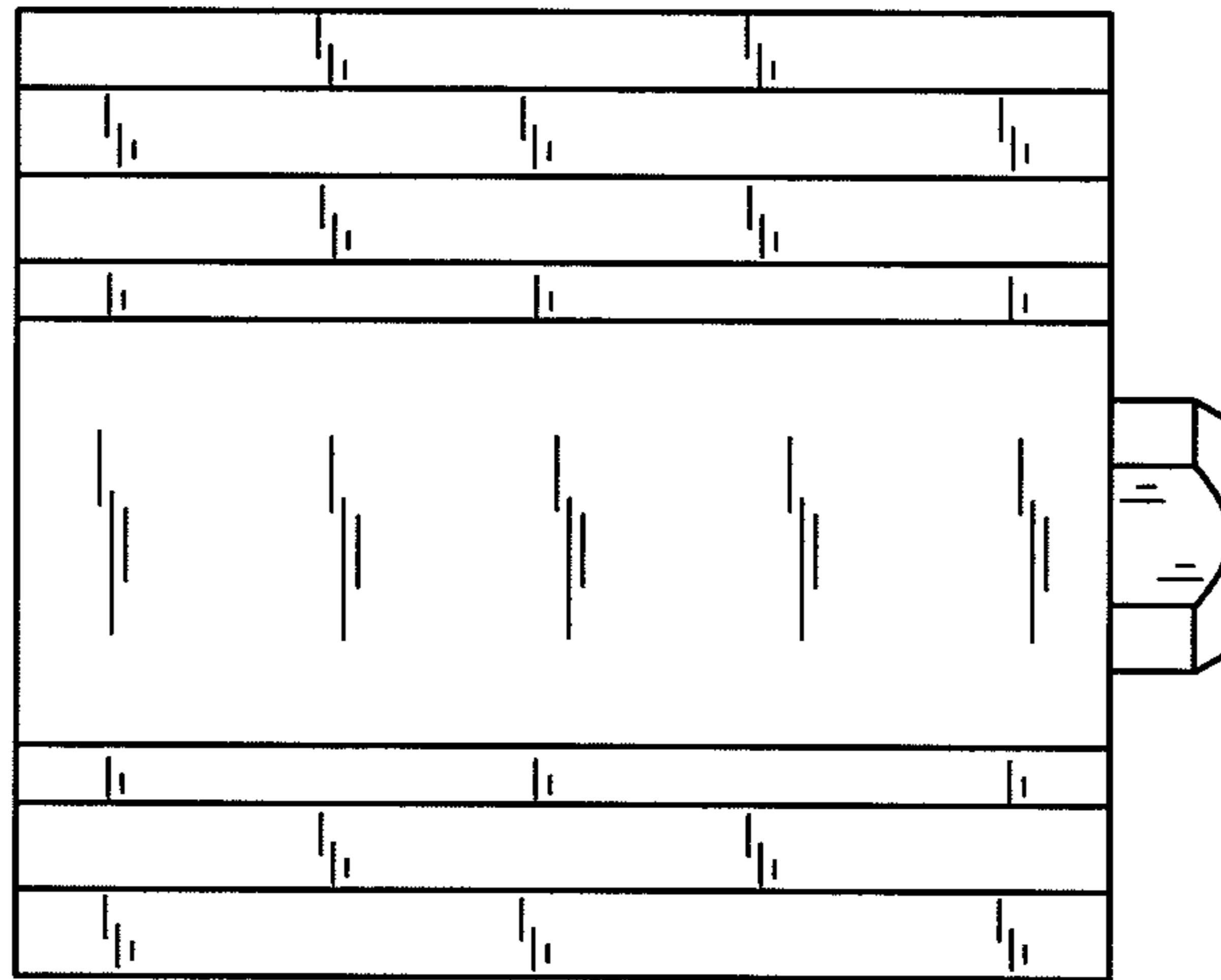


FIG. 35

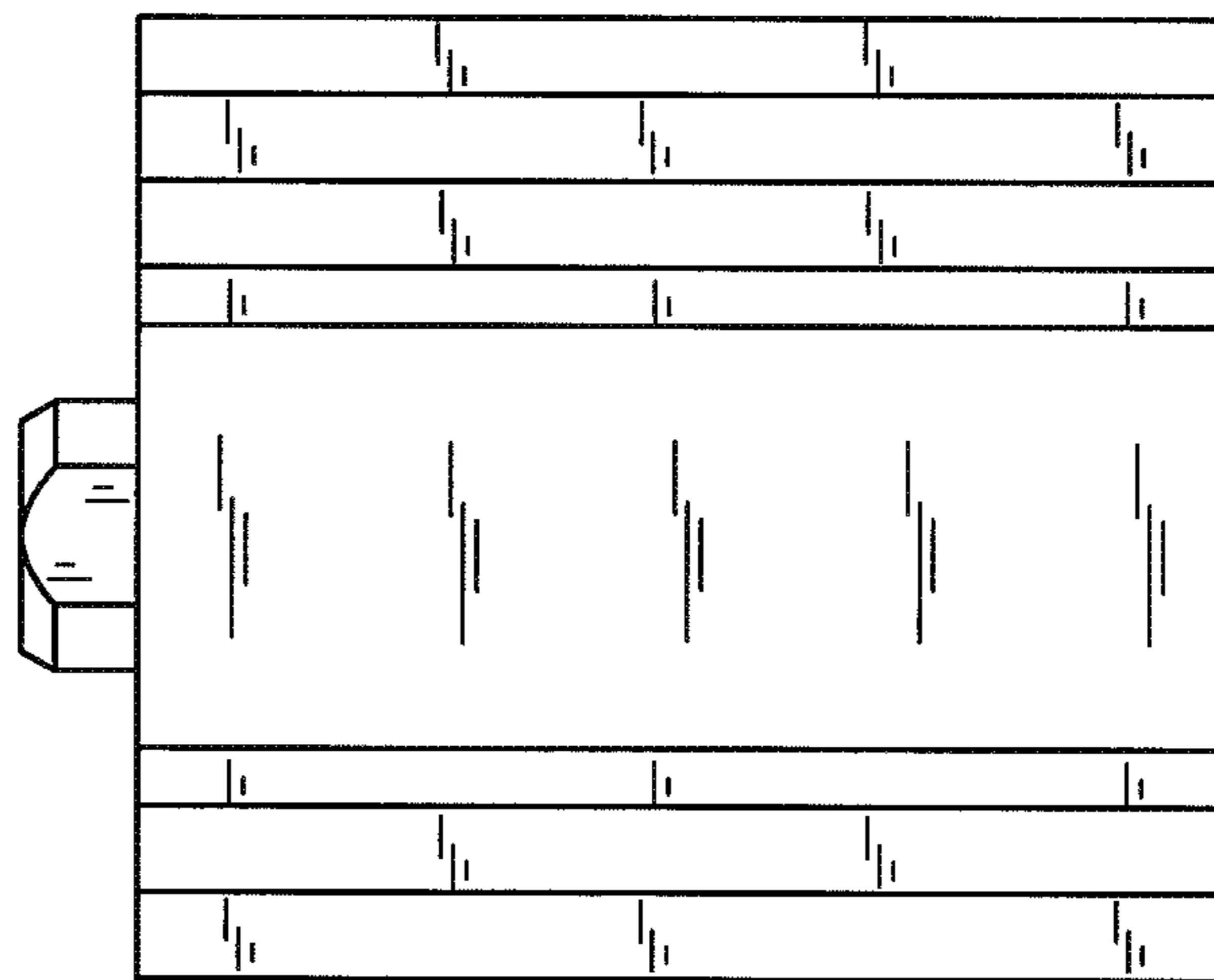


FIG. 36

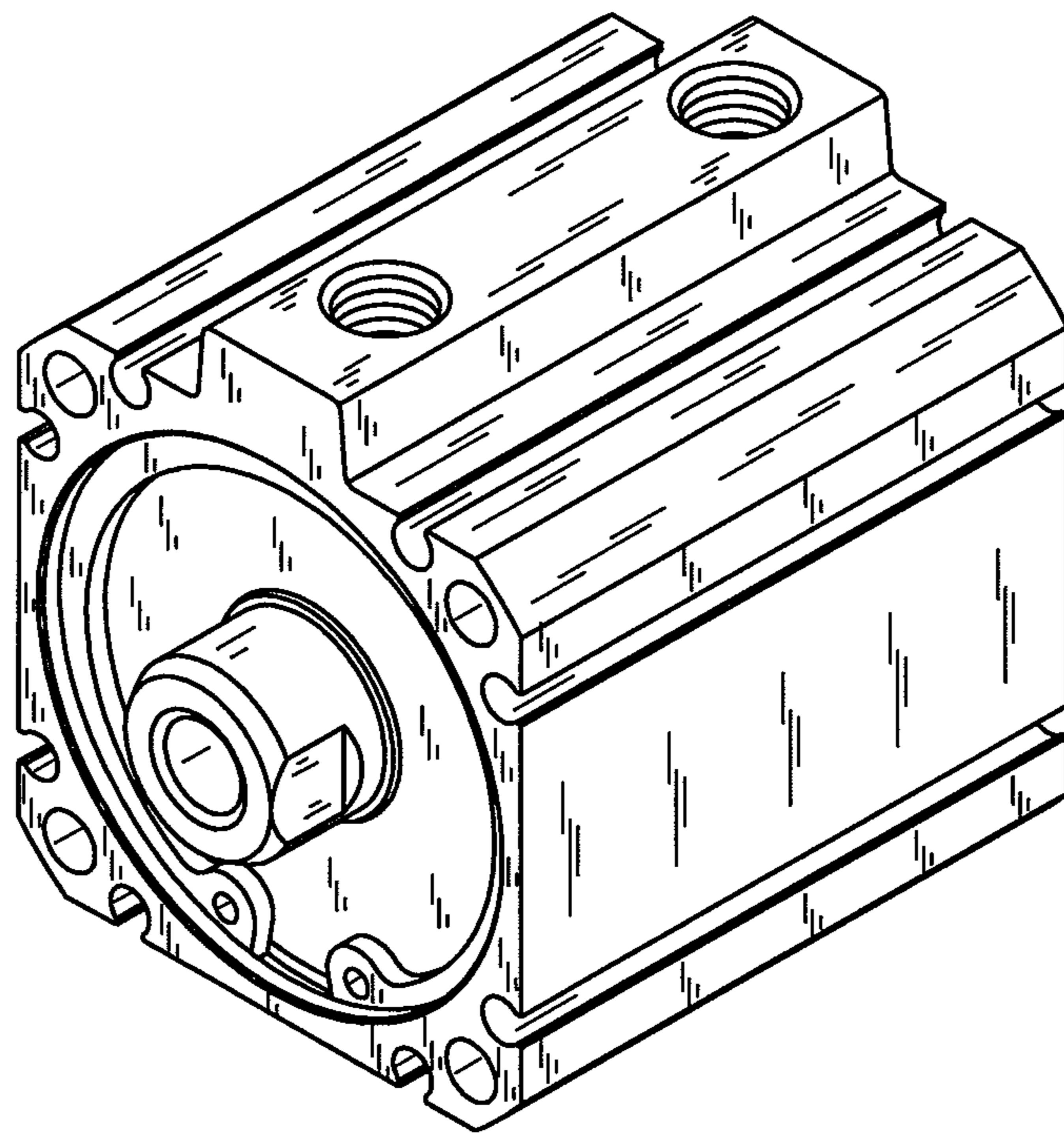


FIG. 37

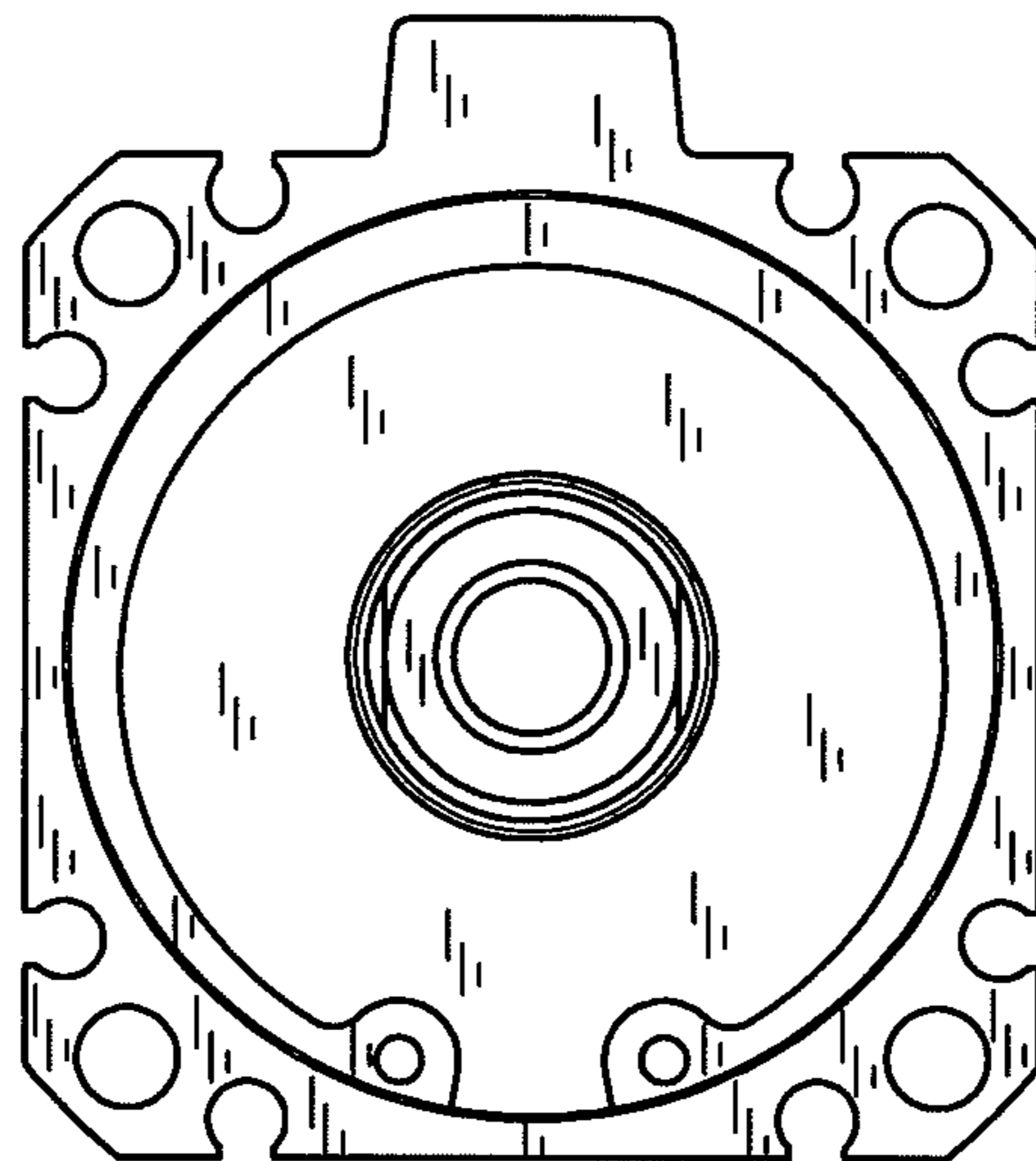


FIG. 38

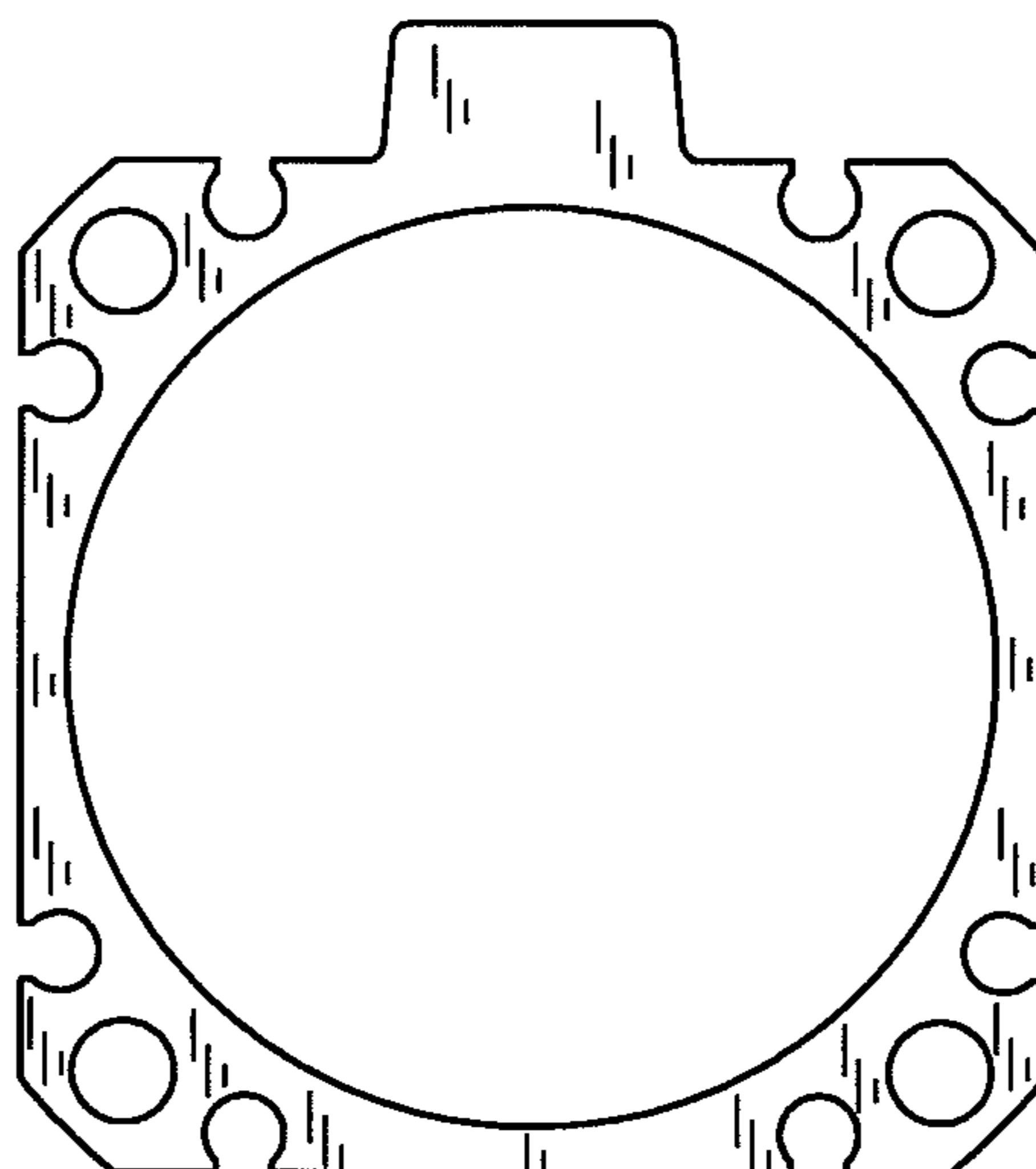


FIG. 39

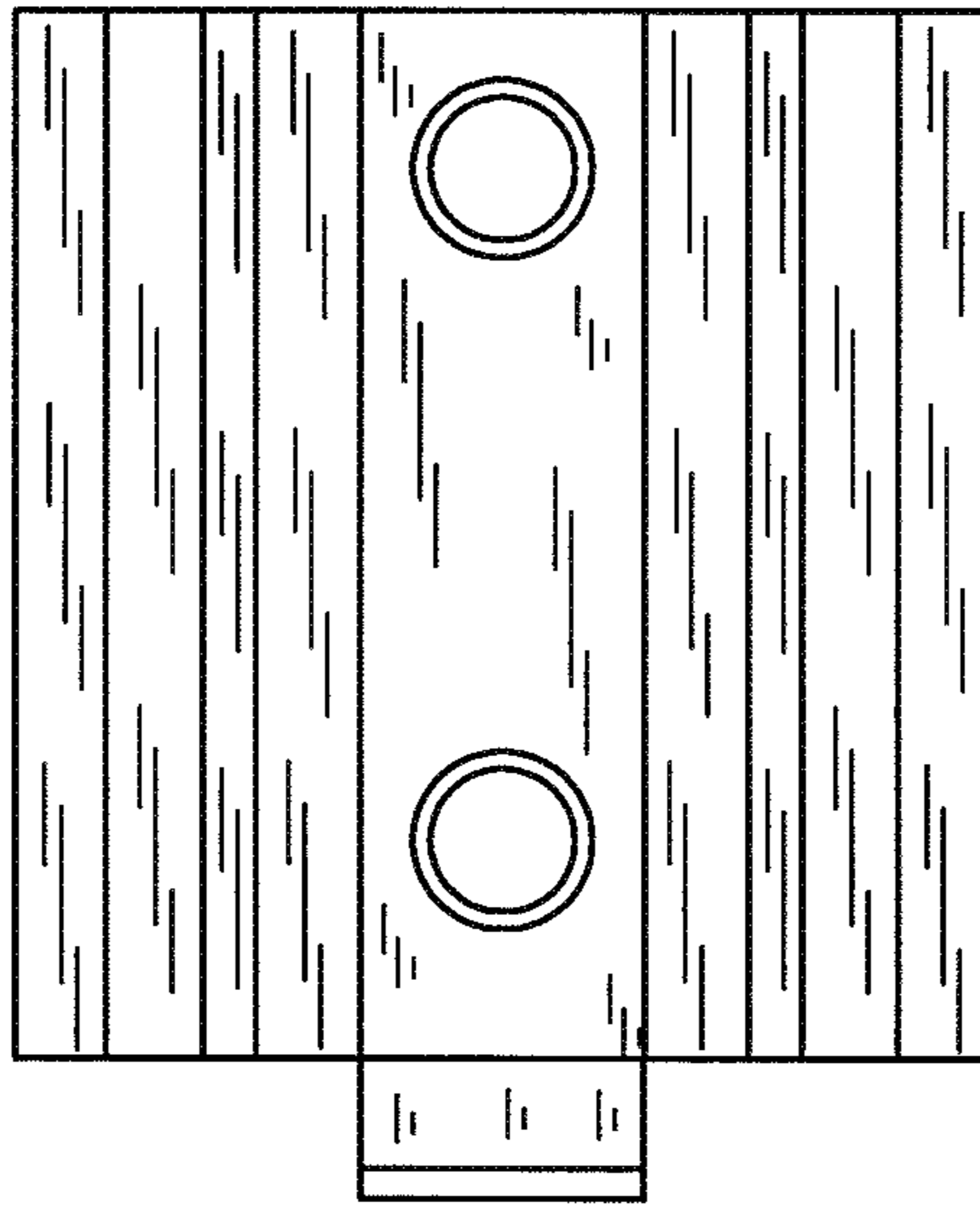


FIG. 40

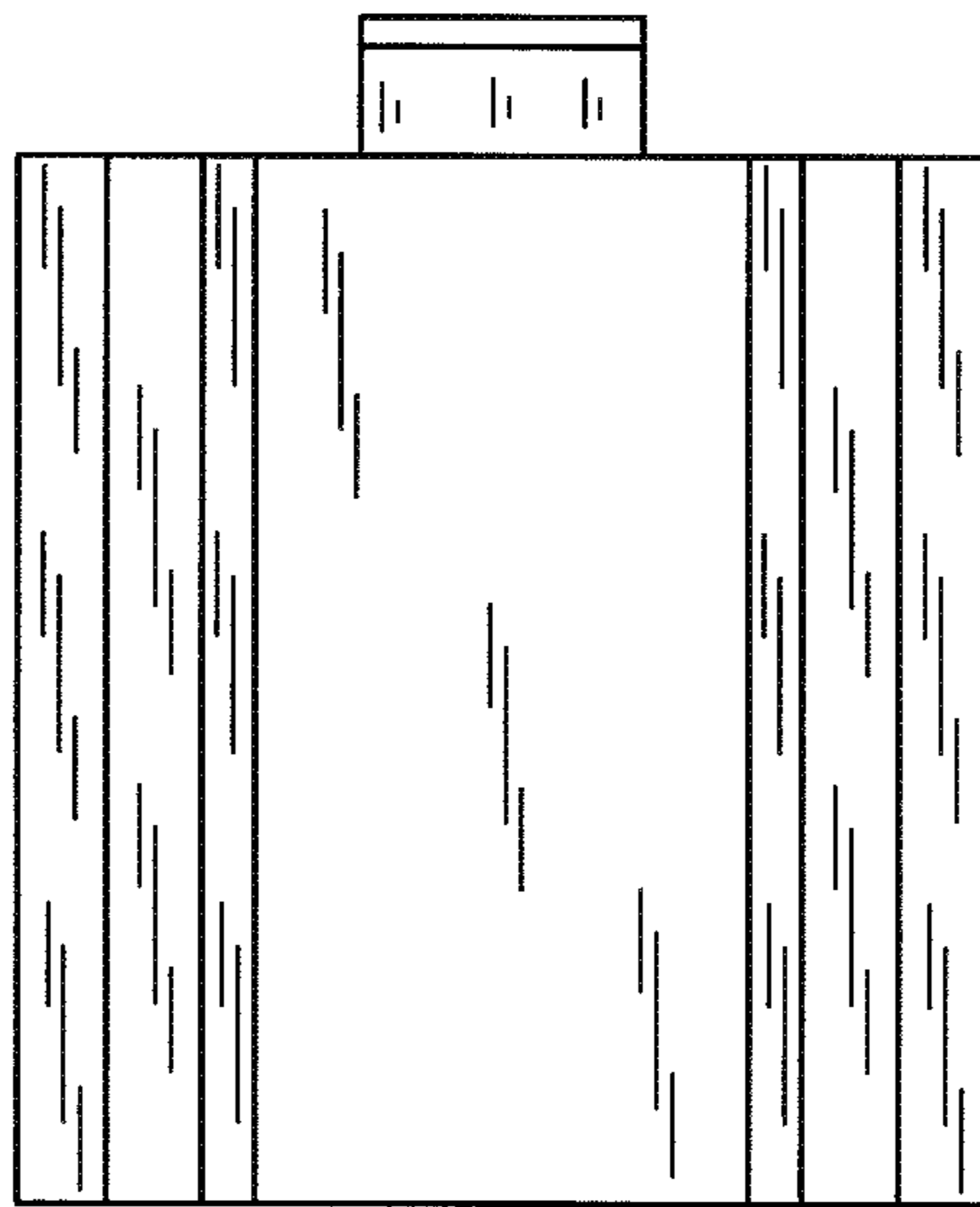


FIG. 41

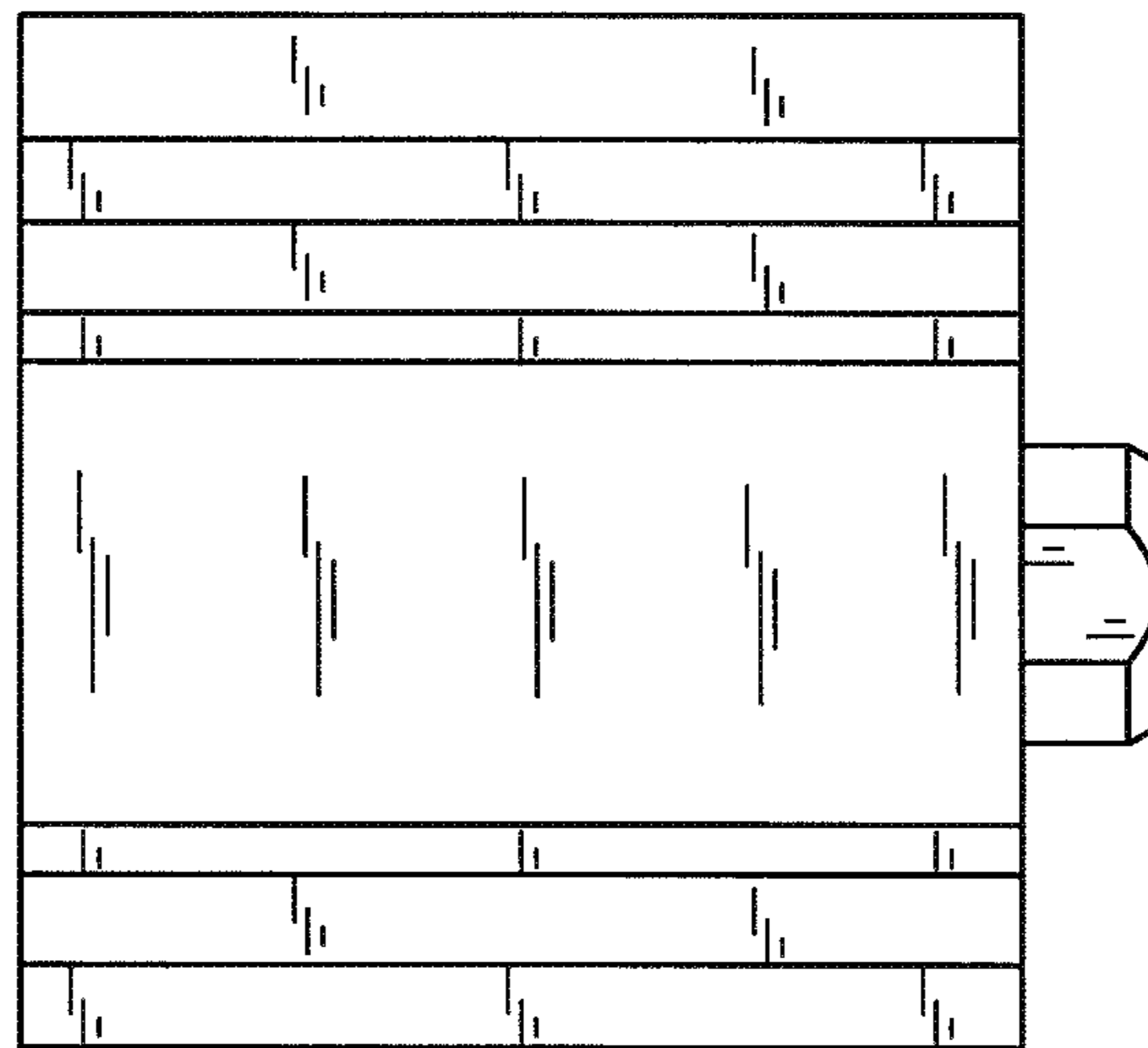


FIG. 42

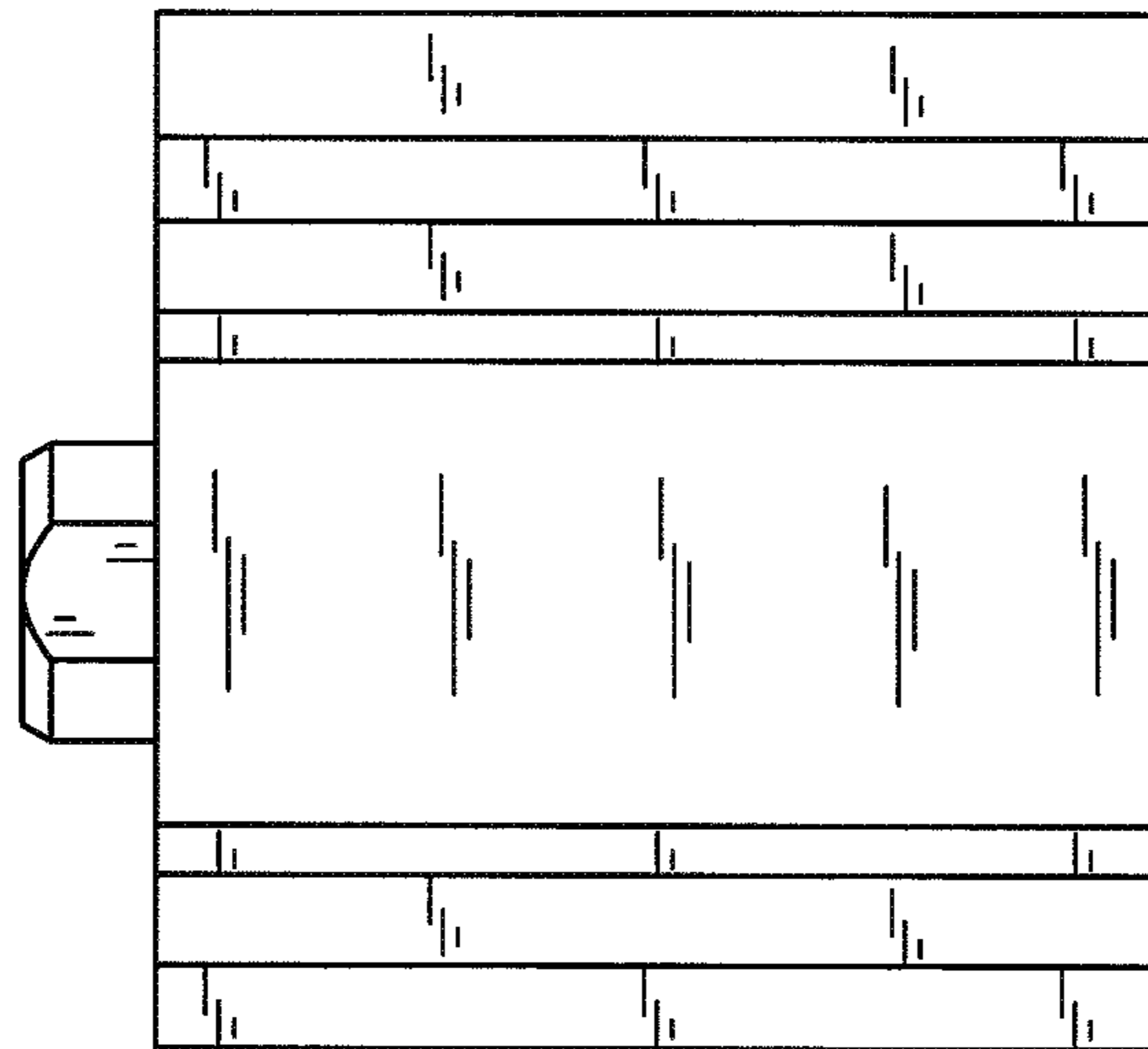


FIG. 43

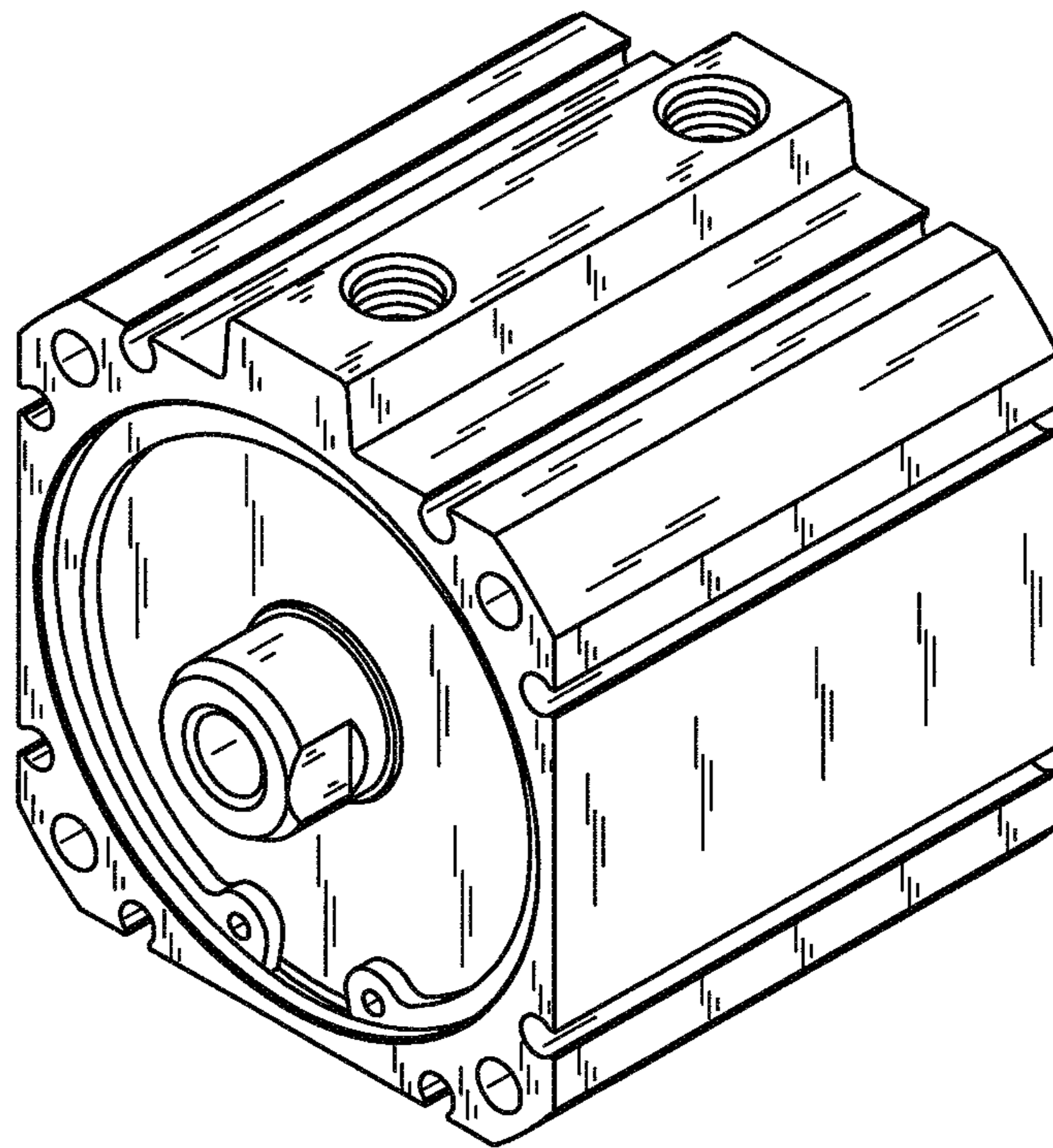


FIG. 44

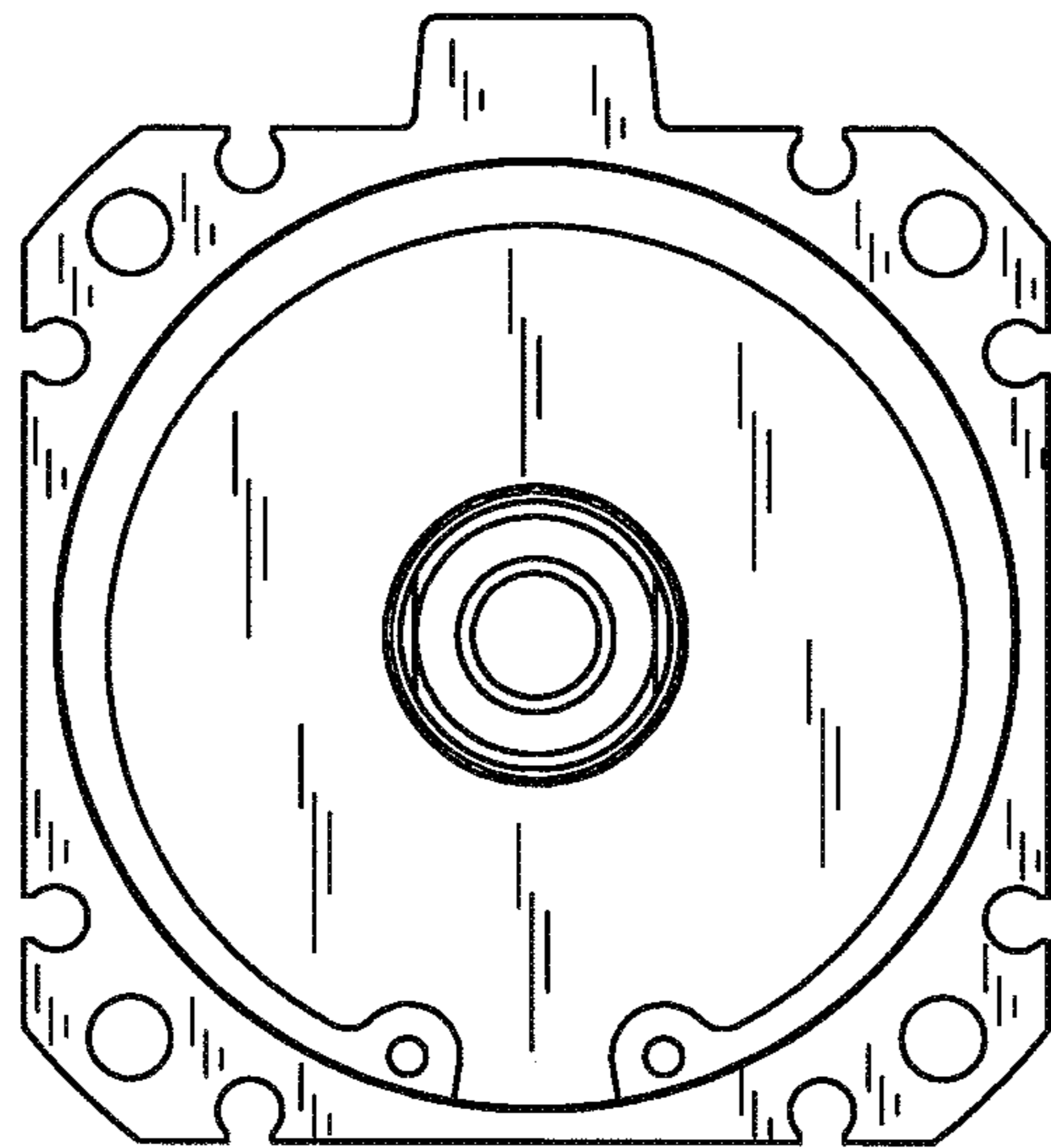


FIG. 45

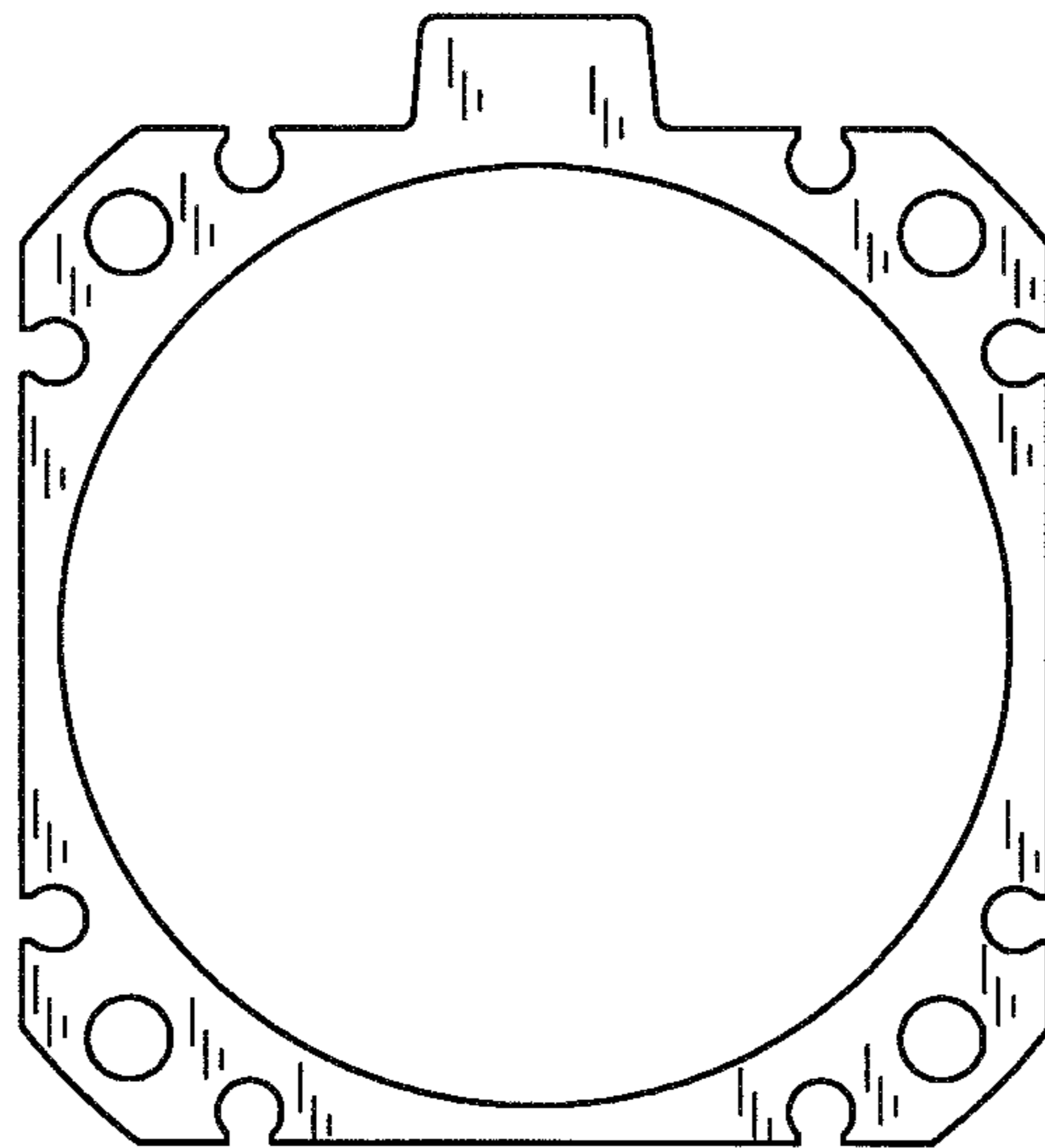


FIG. 46

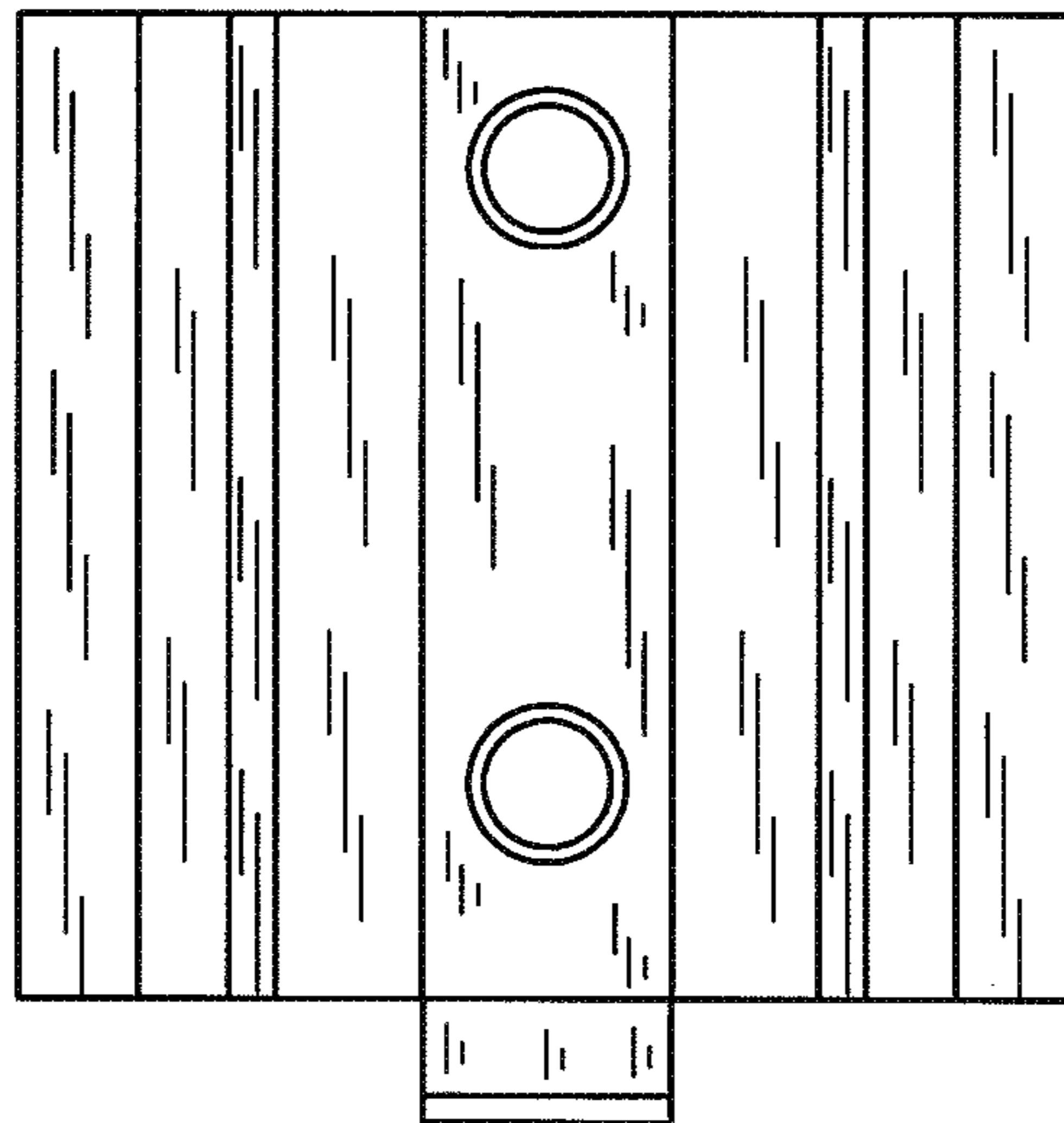


FIG. 47

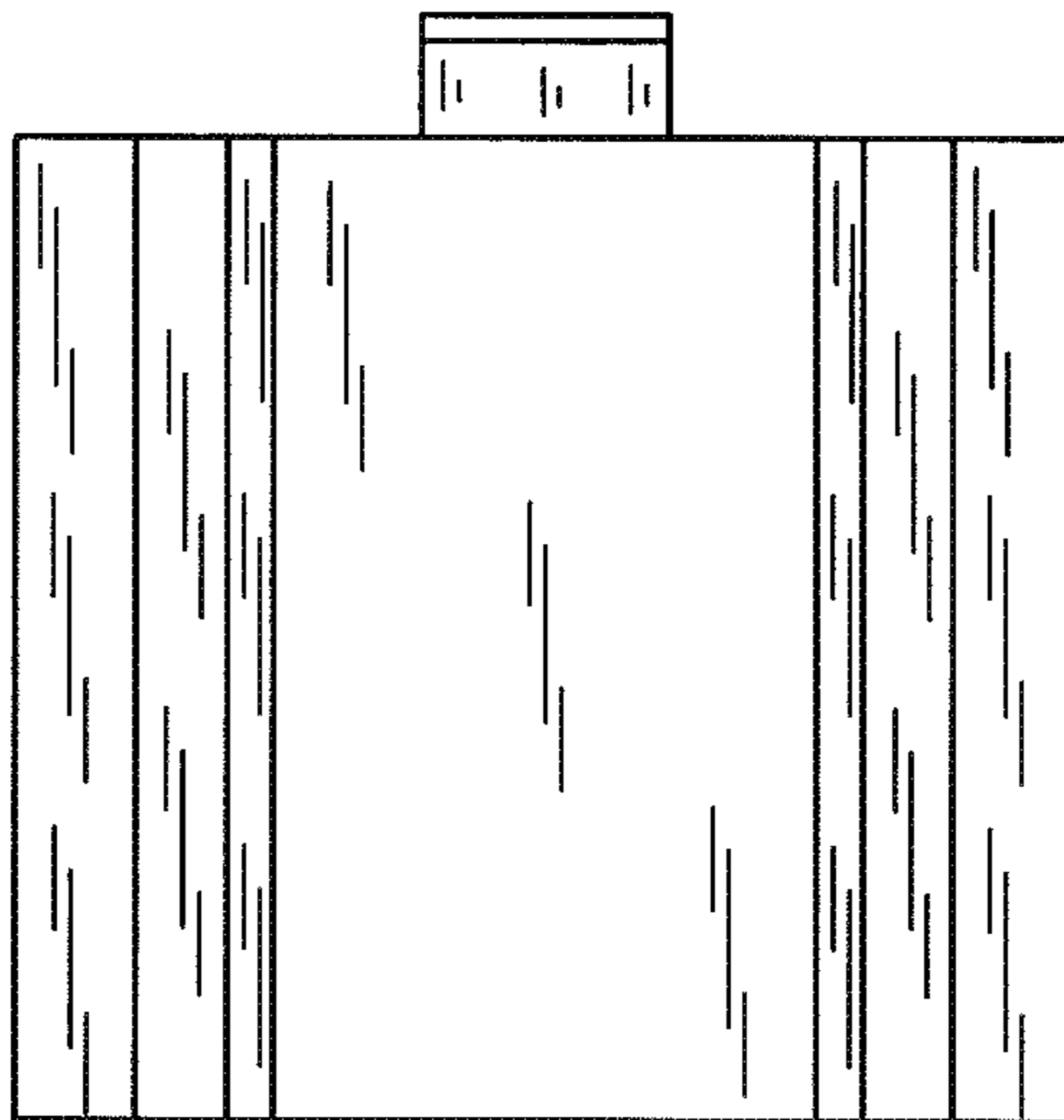


FIG. 48

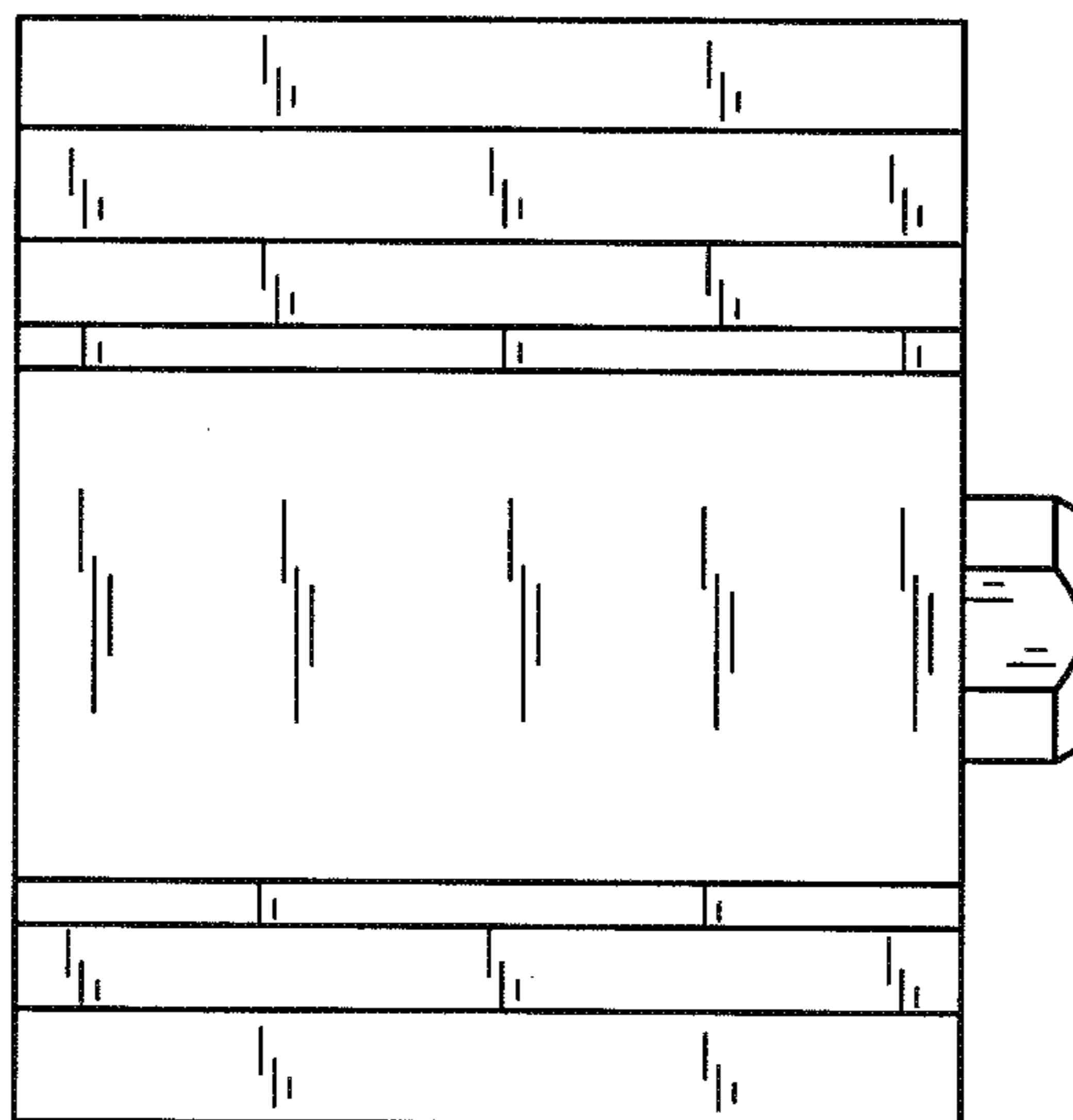


FIG. 49

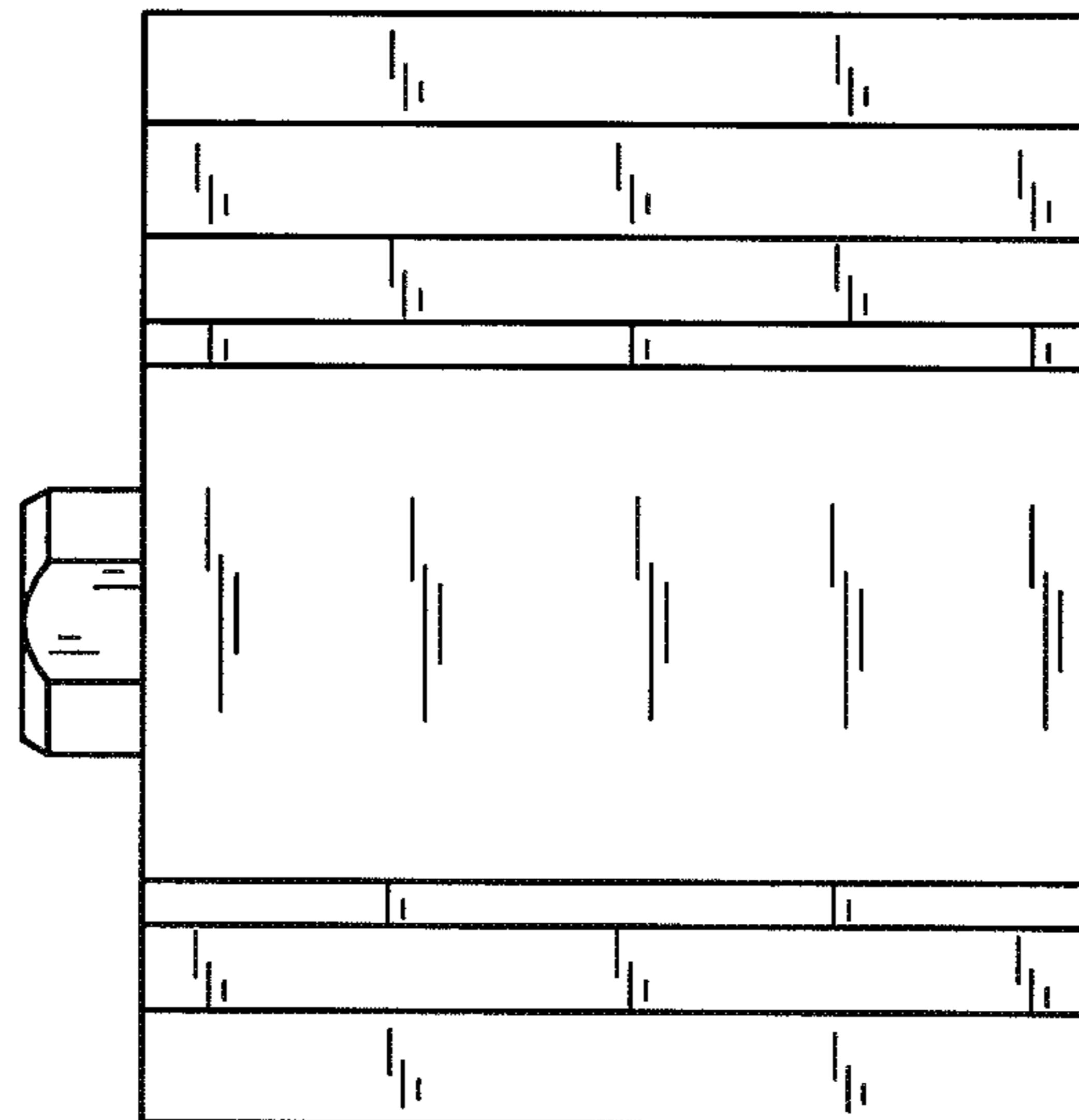


FIG. 50

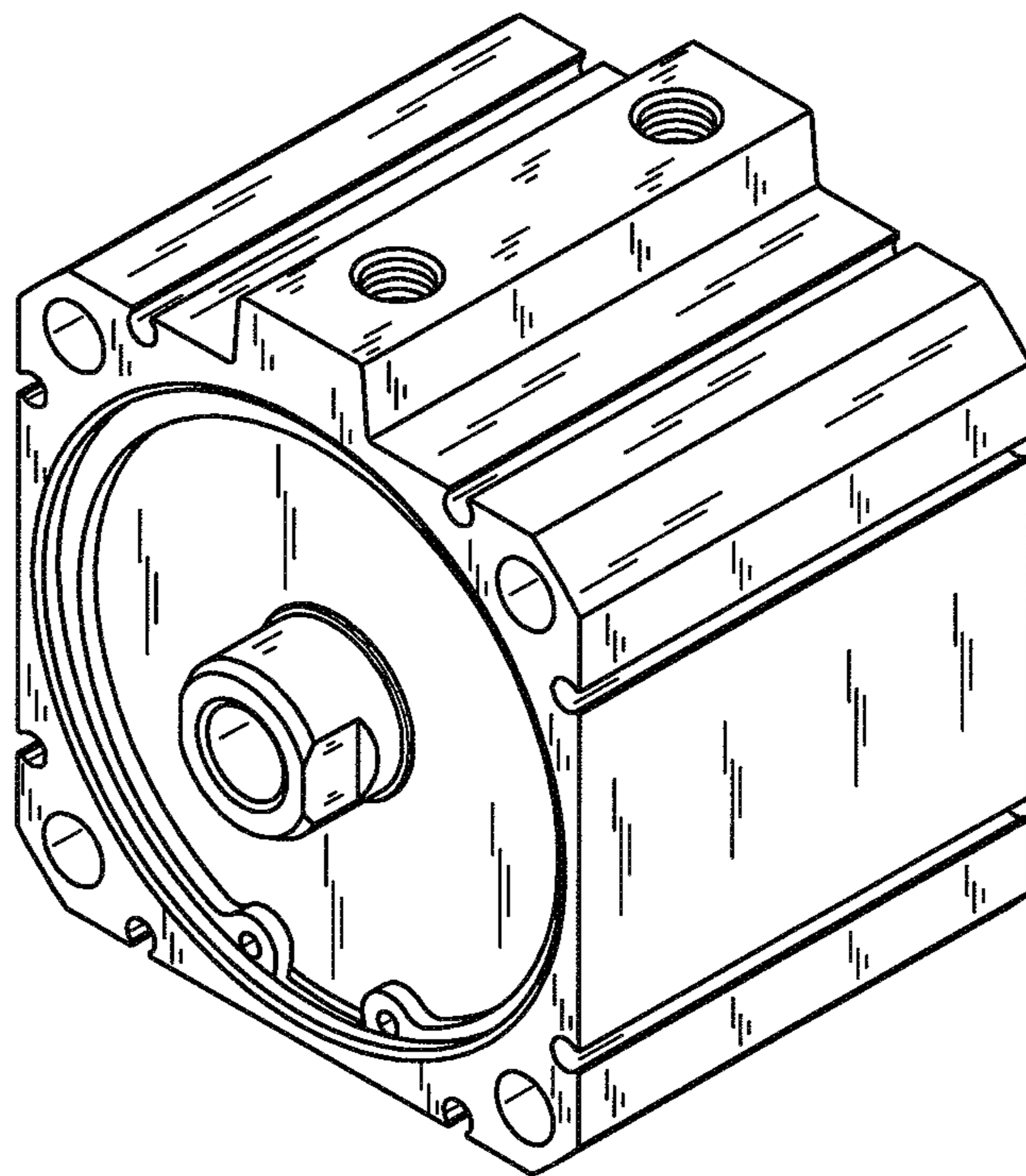


FIG. 51

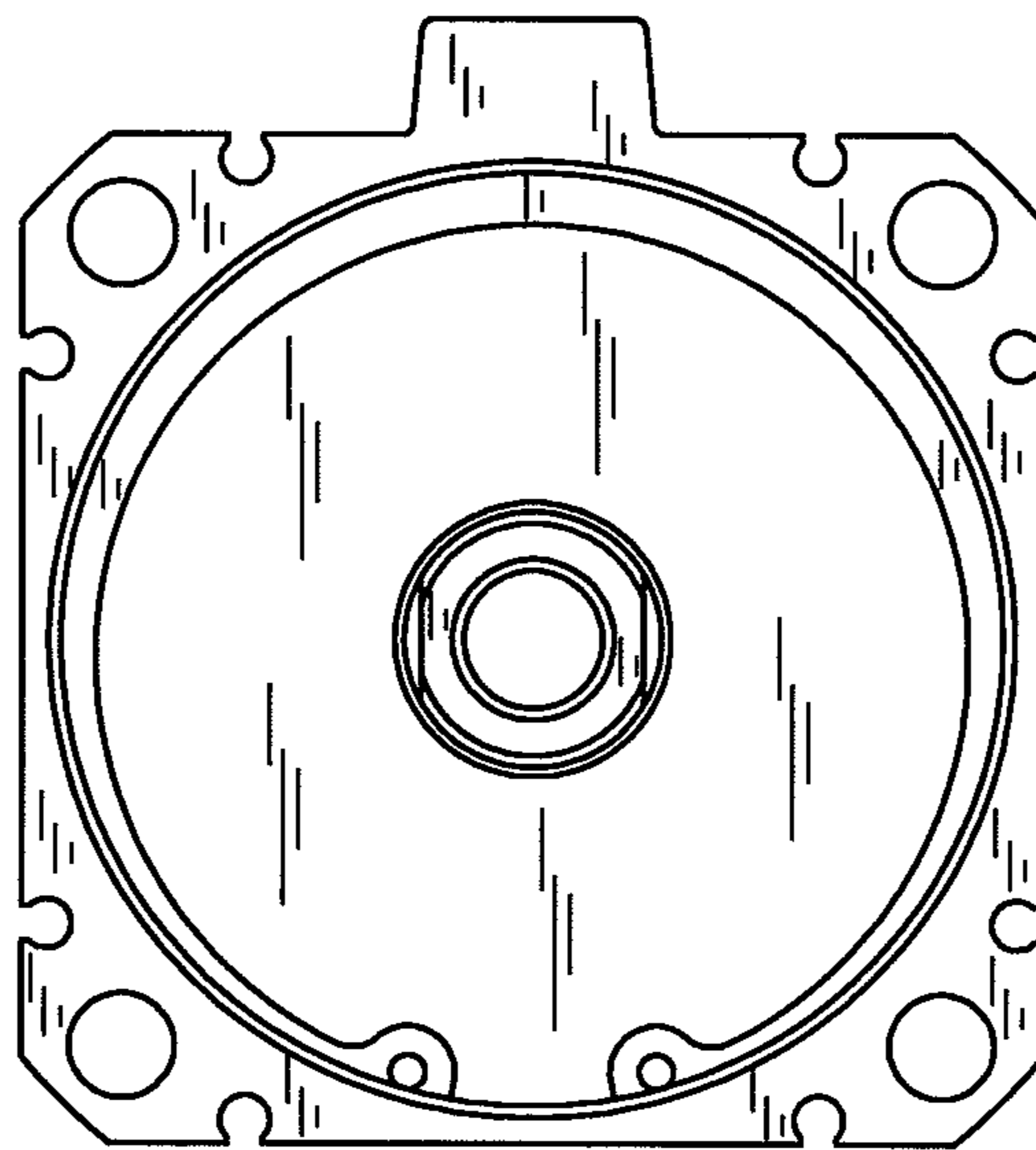


FIG. 52

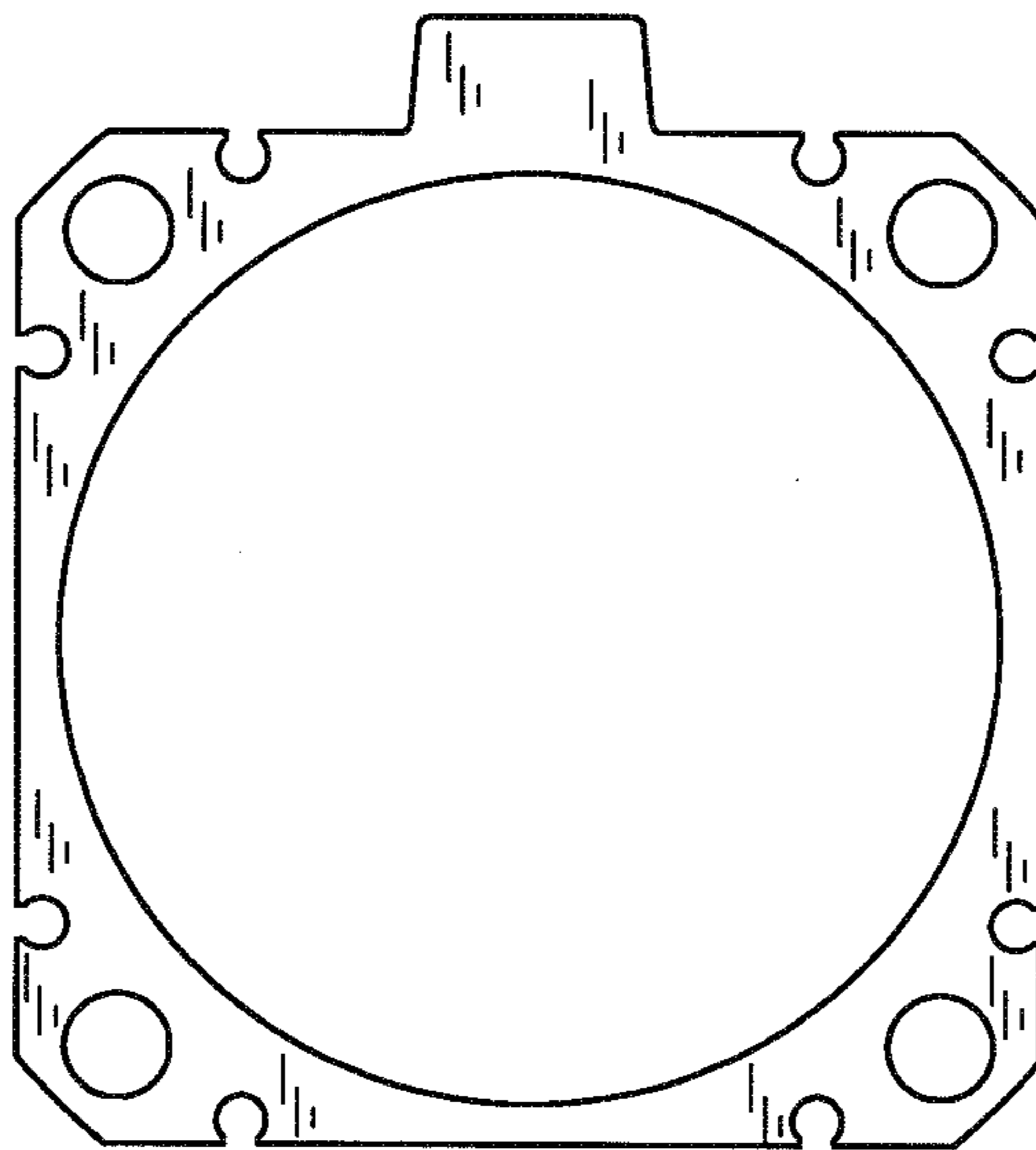


FIG. 53

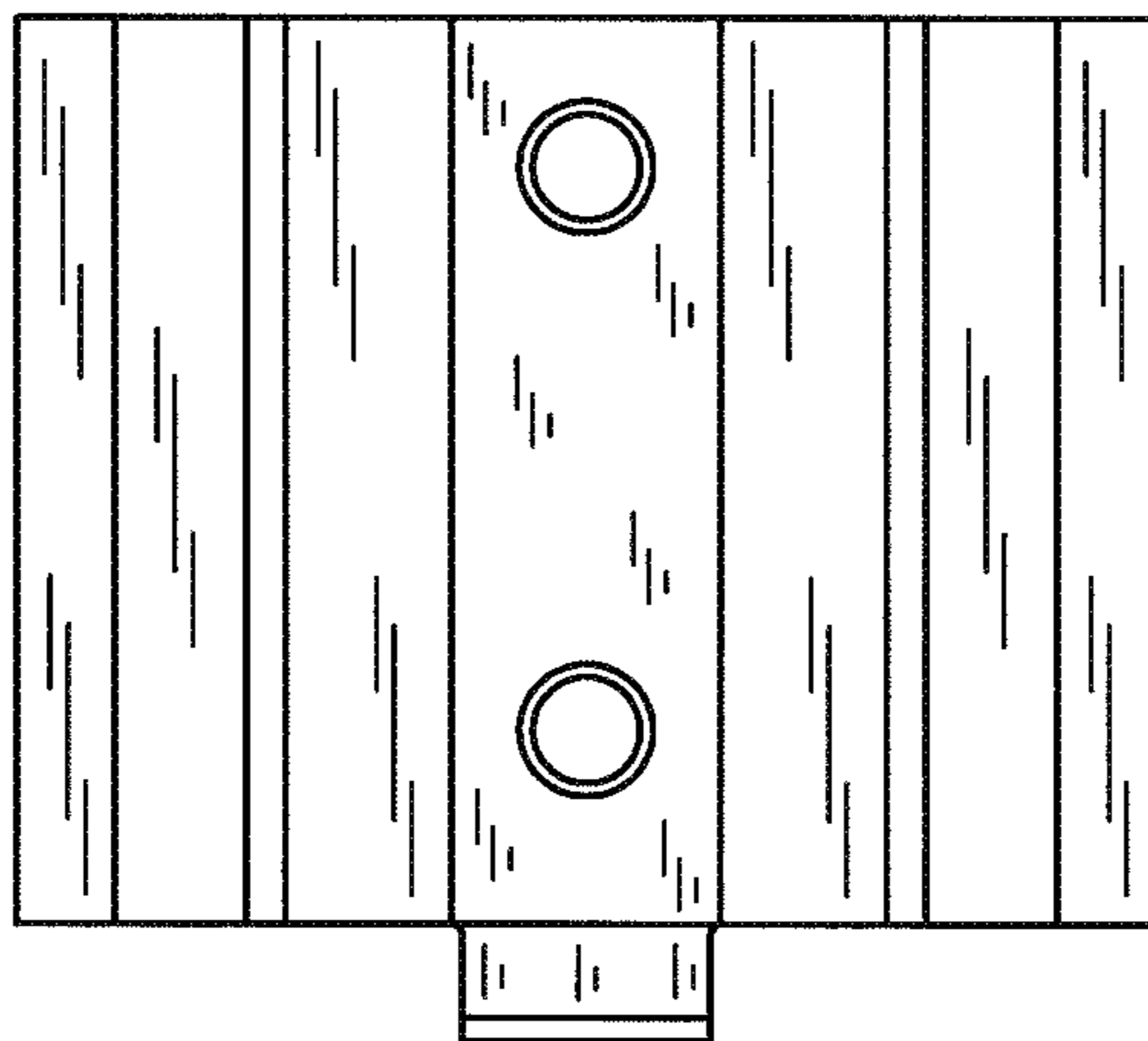


FIG. 54

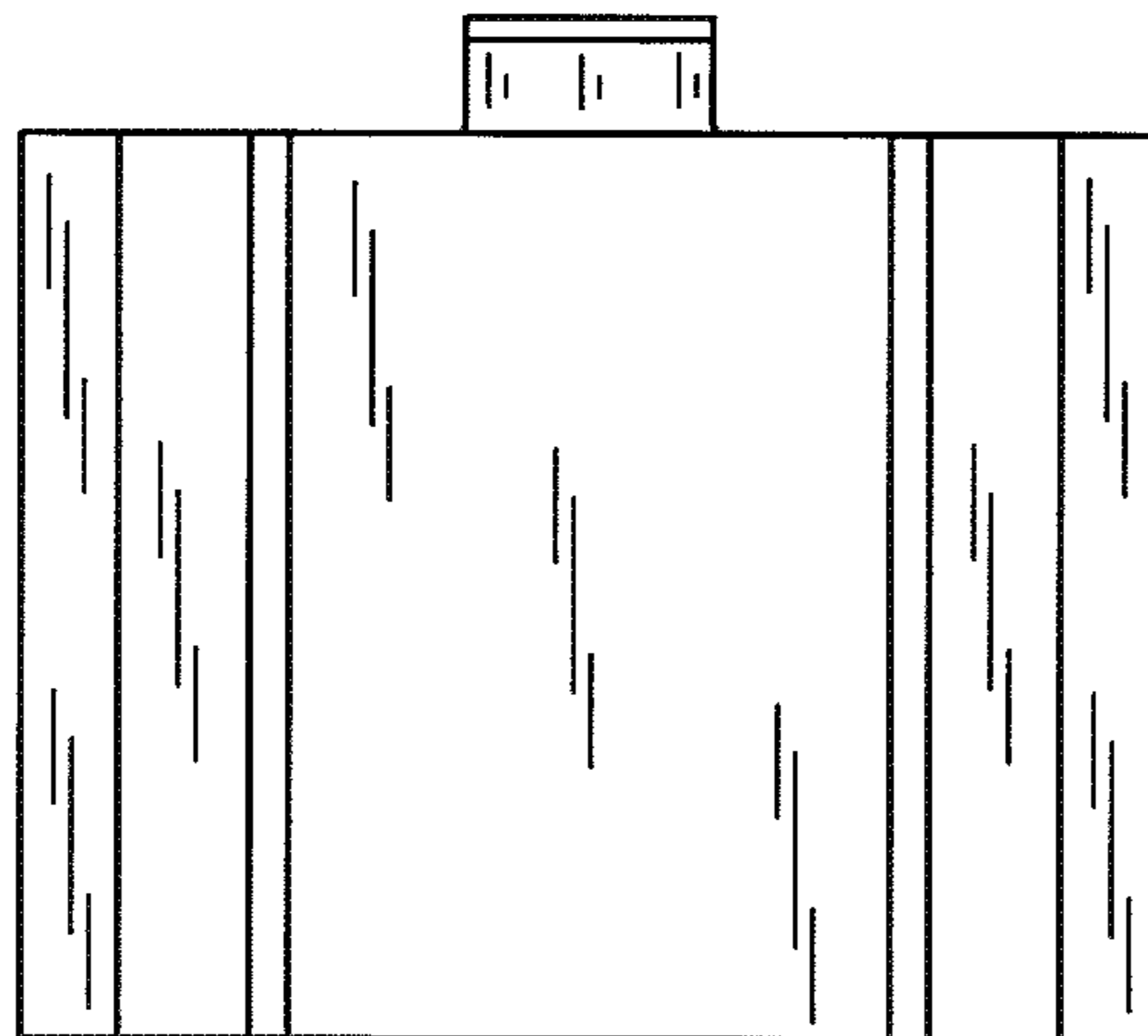


FIG. 55

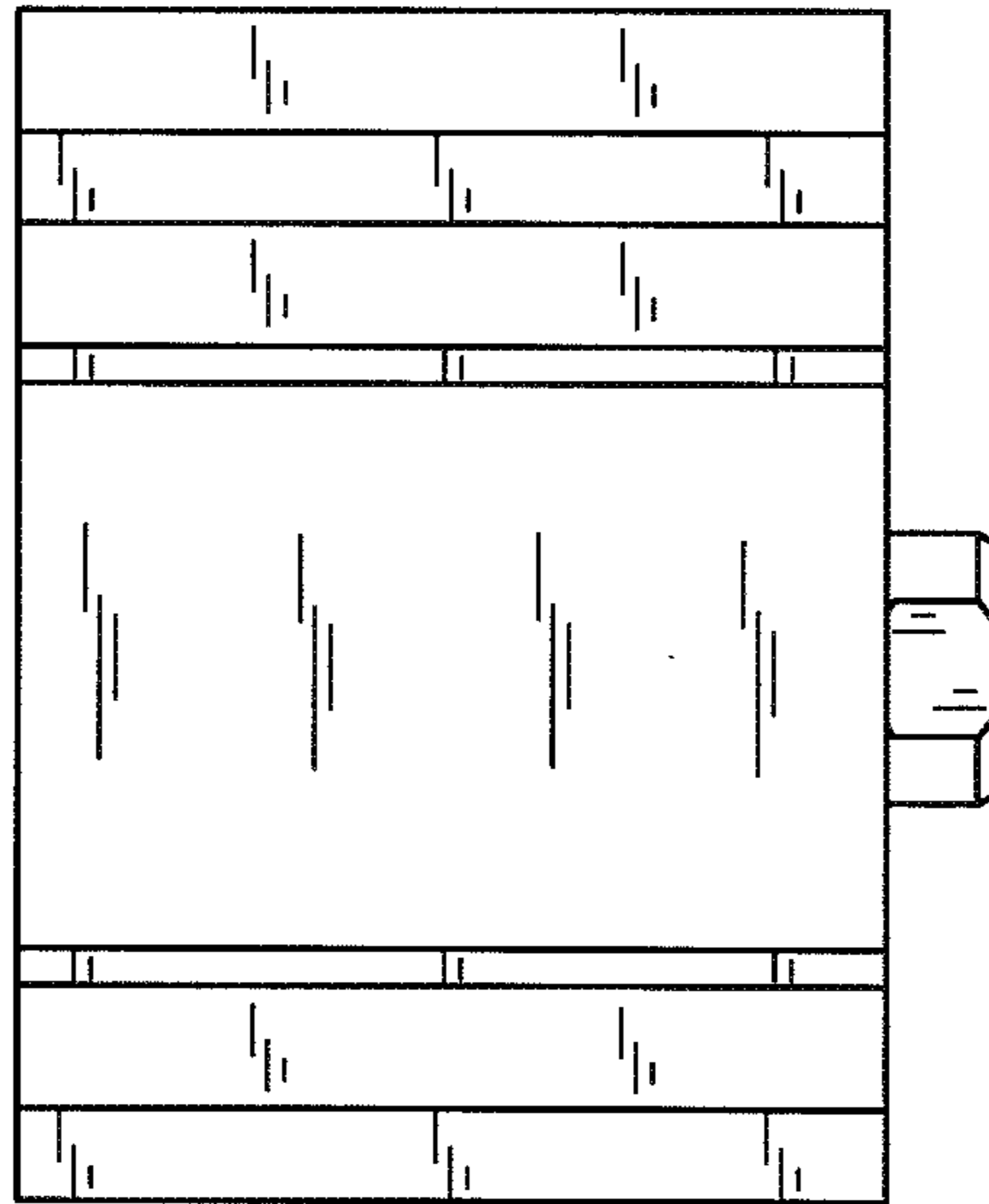


FIG. 56

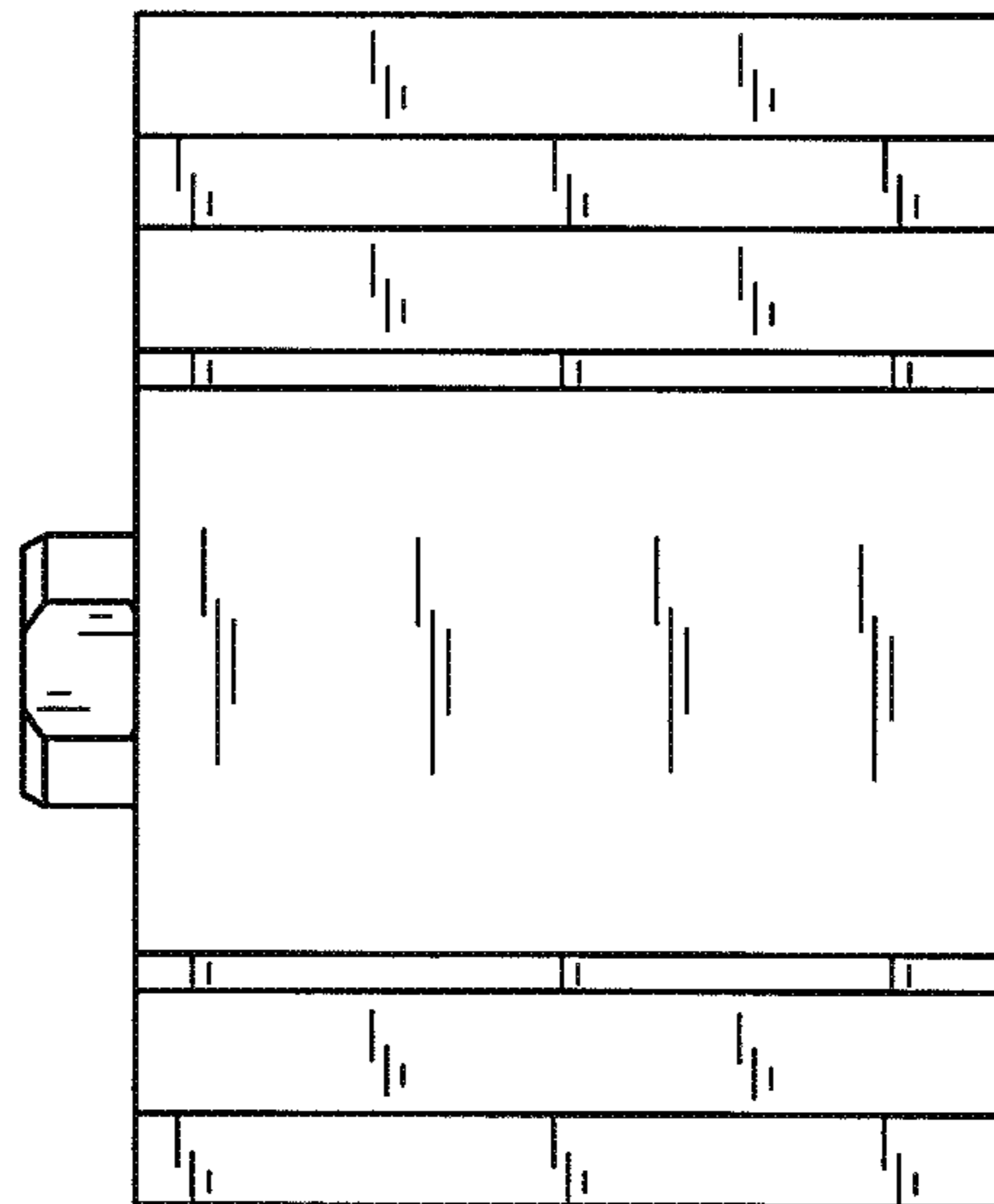


FIG. 57

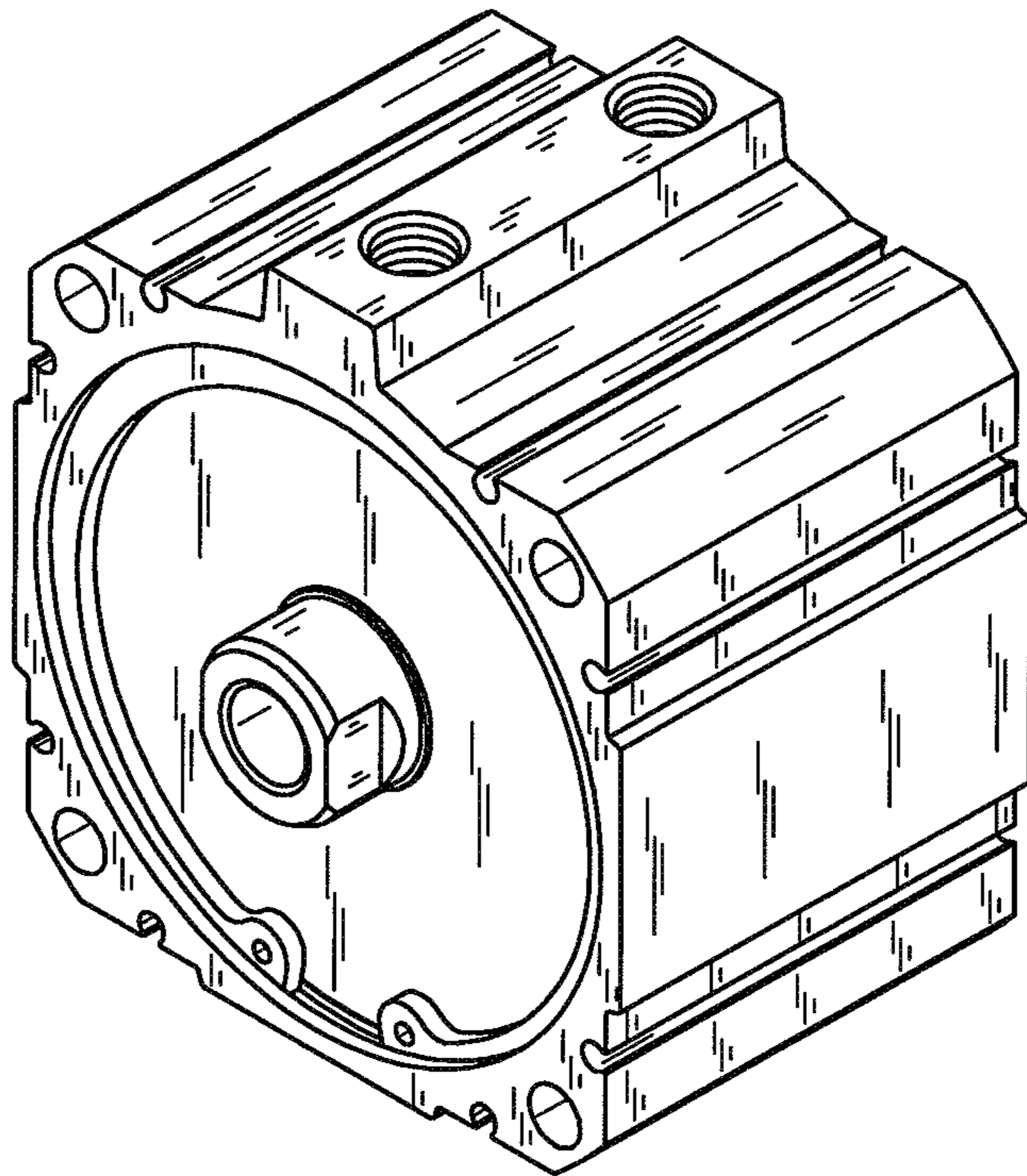


FIG. 58

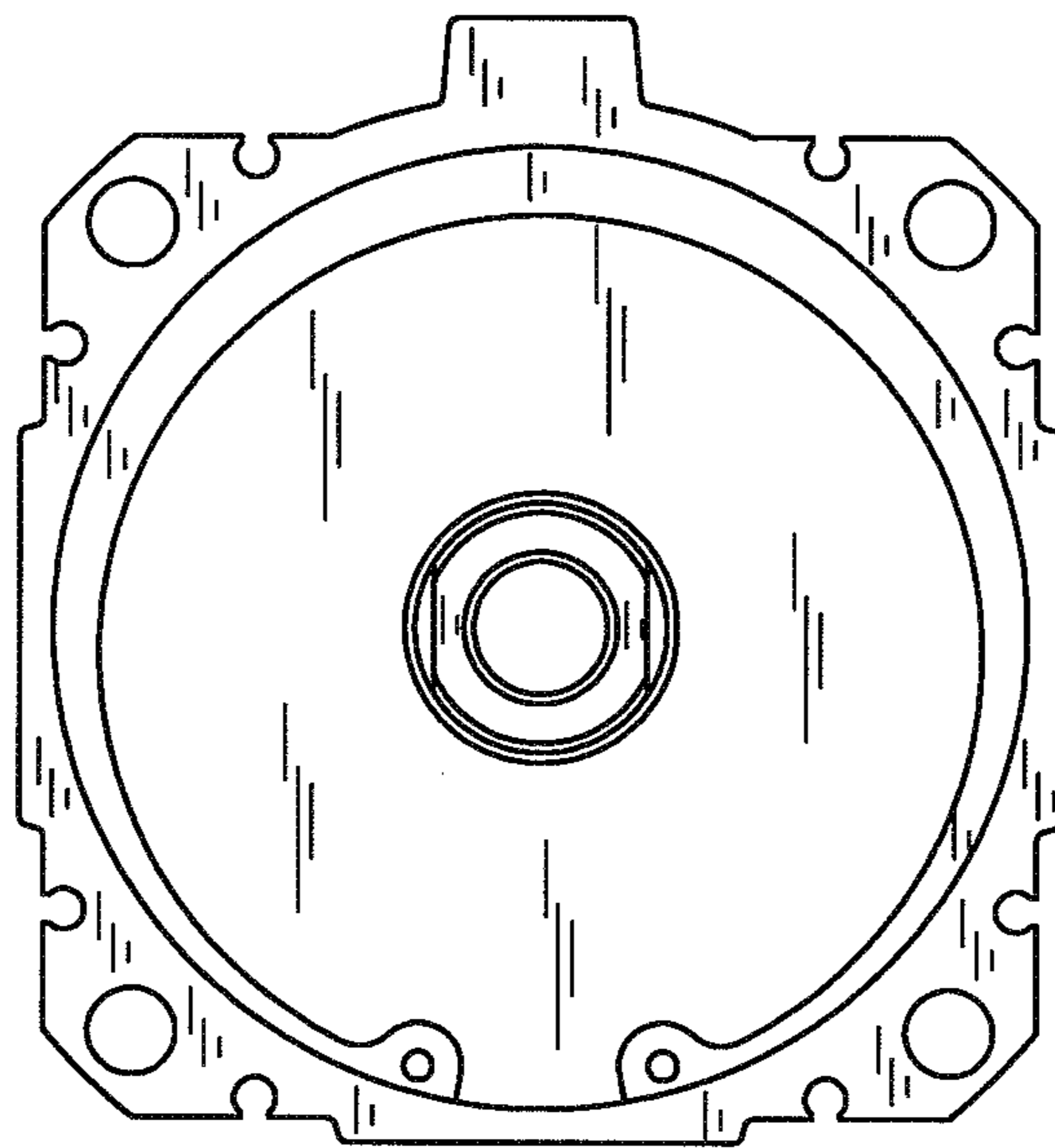


FIG. 59

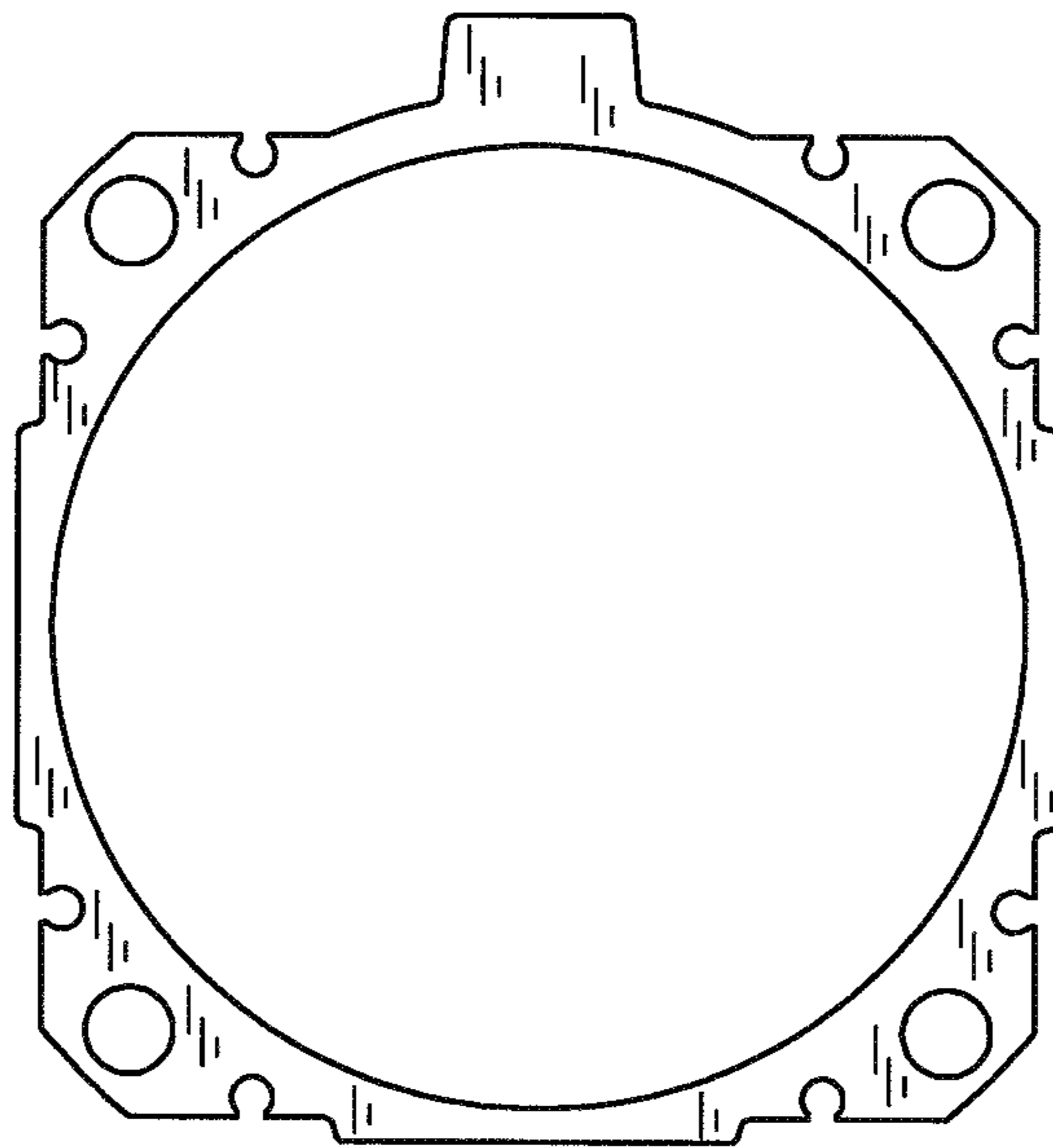


FIG. 60

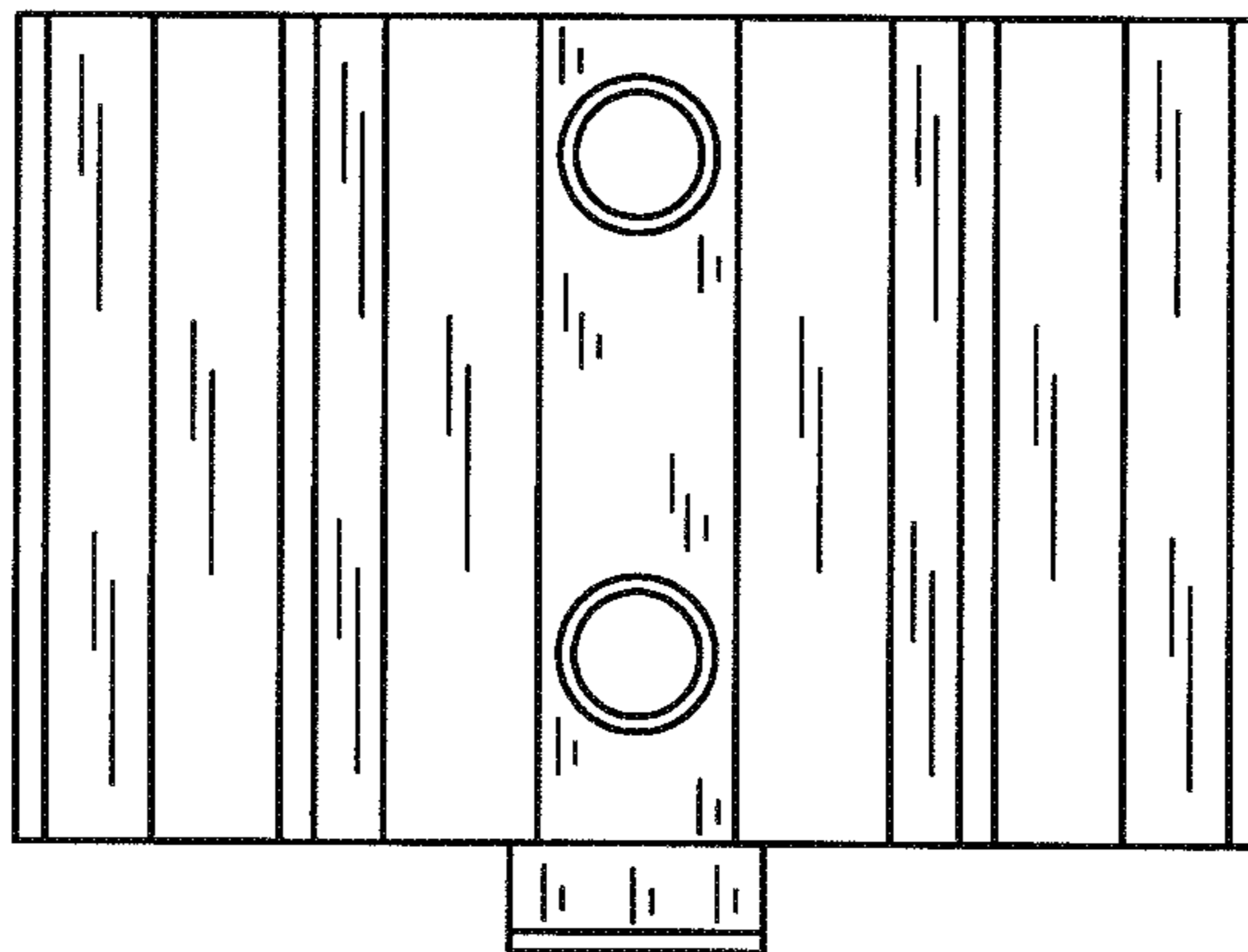


FIG. 61

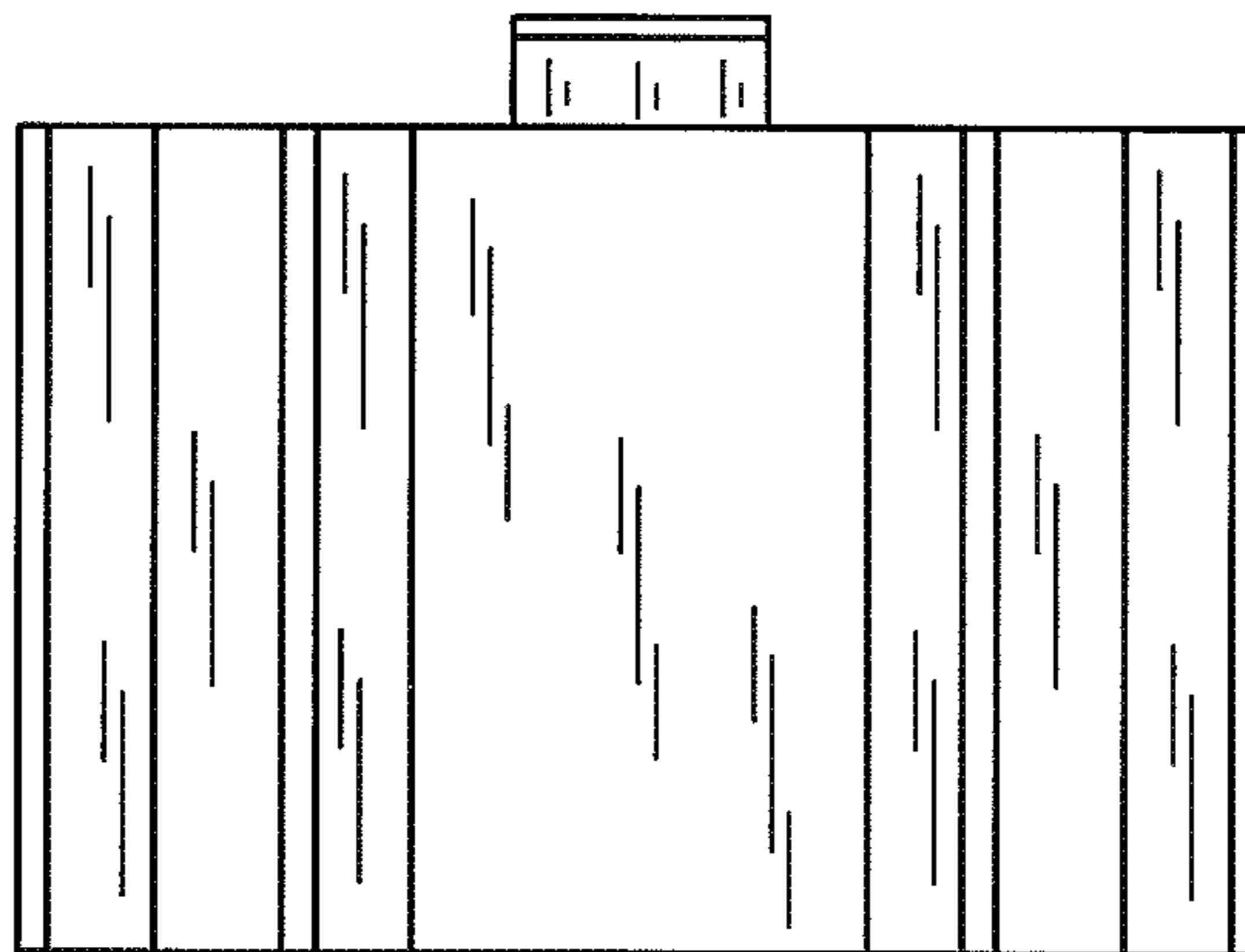


FIG. 62

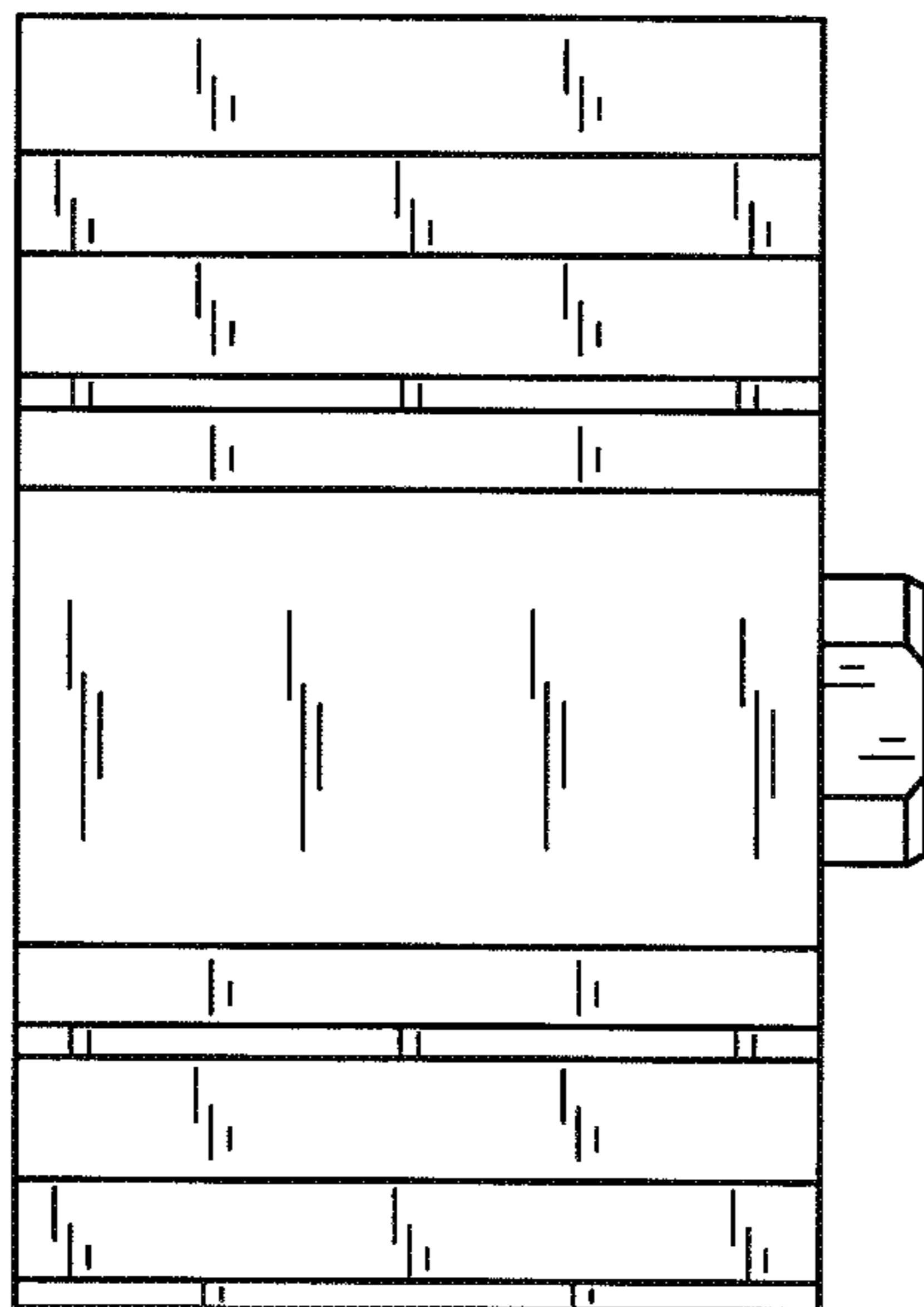
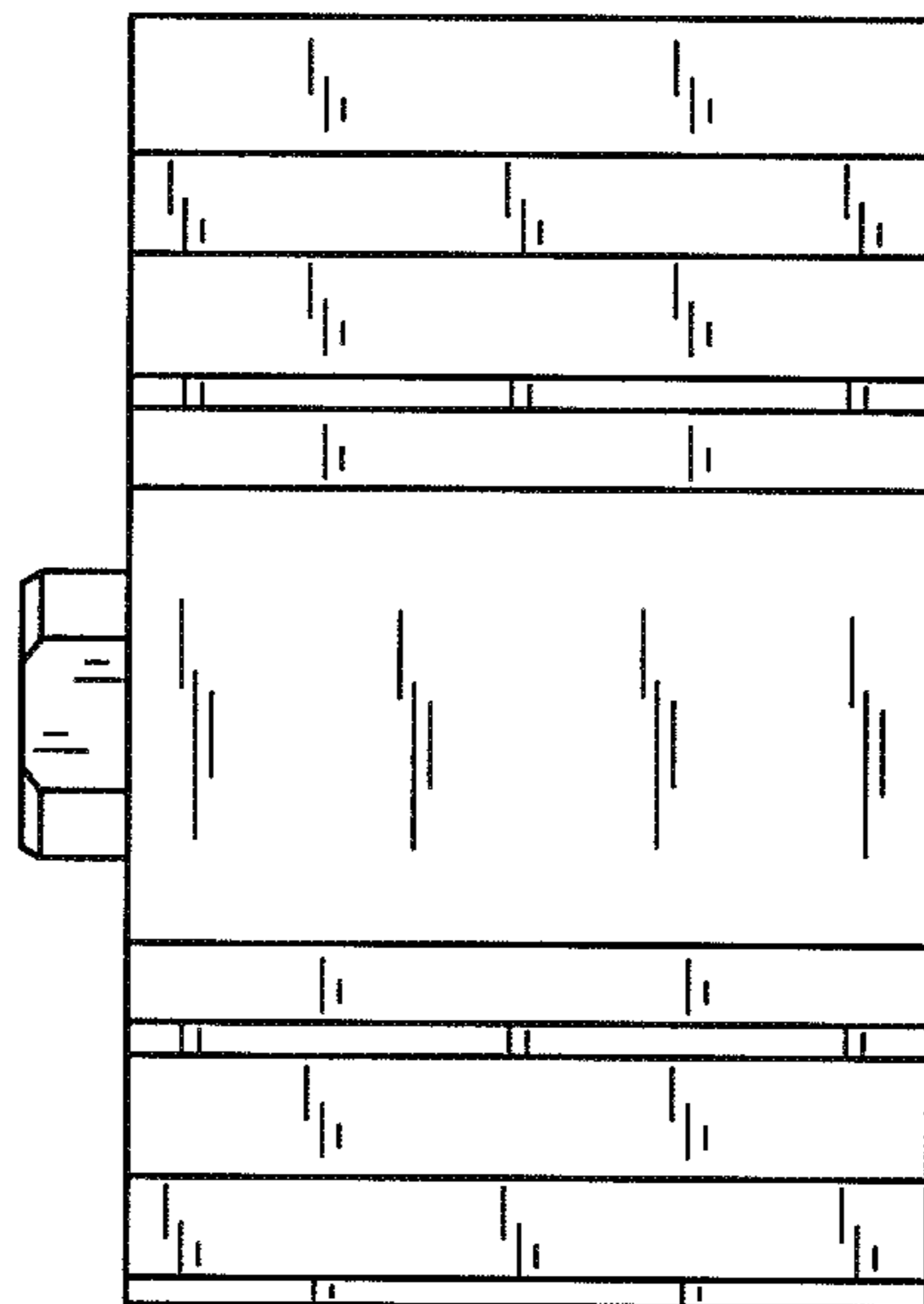


FIG. 63



UNITED STATES PATENT AND TRADEMARK OFFICE
CERTIFICATE OF CORRECTION

PATENT NO. : D770,595 S
APPLICATION NO. : 29/487672
DATED : November 1, 2016
INVENTOR(S) : Yasunaga Suzuki et al.

Page 1 of 9

It is certified that error appears in the above-identified patent and that said Letters Patent is hereby corrected as shown below:

In the Drawings

Replace the sheets of drawings containing Figures 10, 17, 24, 31, 38, 45, 52 and 59 with the attached replacement sheets of drawings containing Figures 10, 17, 24, 31, 38, 45, 52 and 59.

Signed and Sealed this
Eighteenth Day of April, 2017



Michelle K. Lee
Director of the United States Patent and Trademark Office

FIG. 10

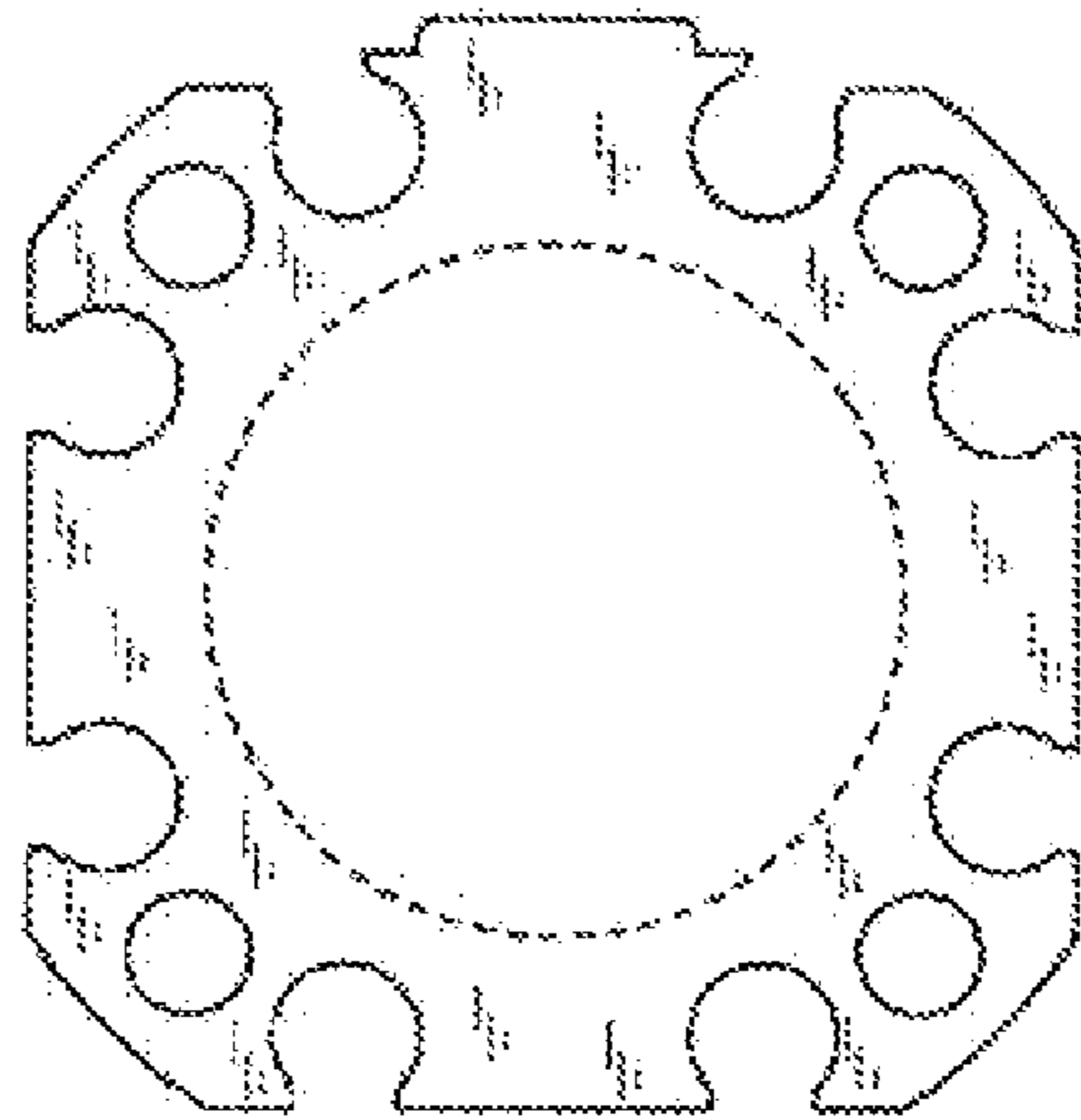


FIG. 17

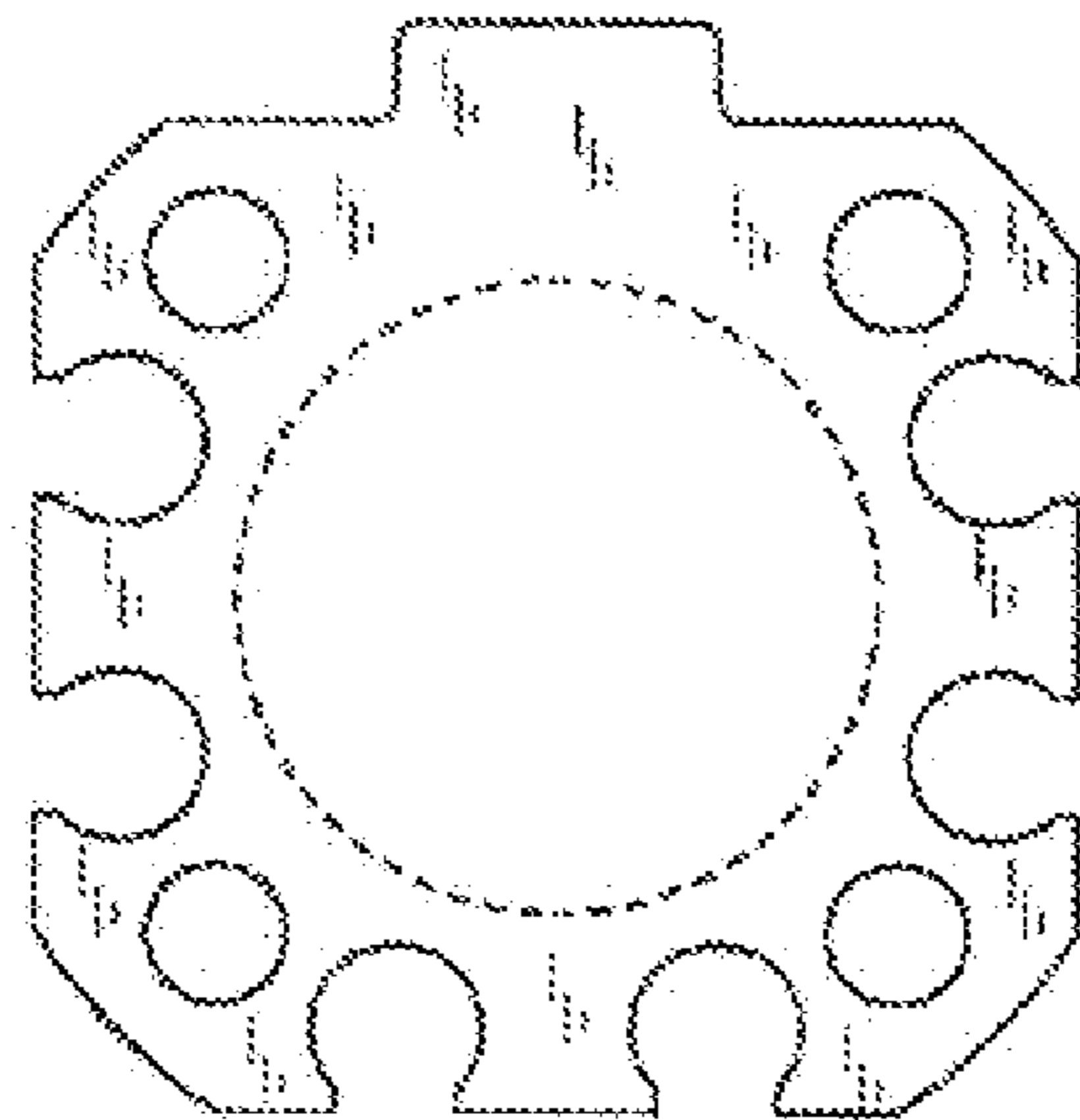


FIG. 24

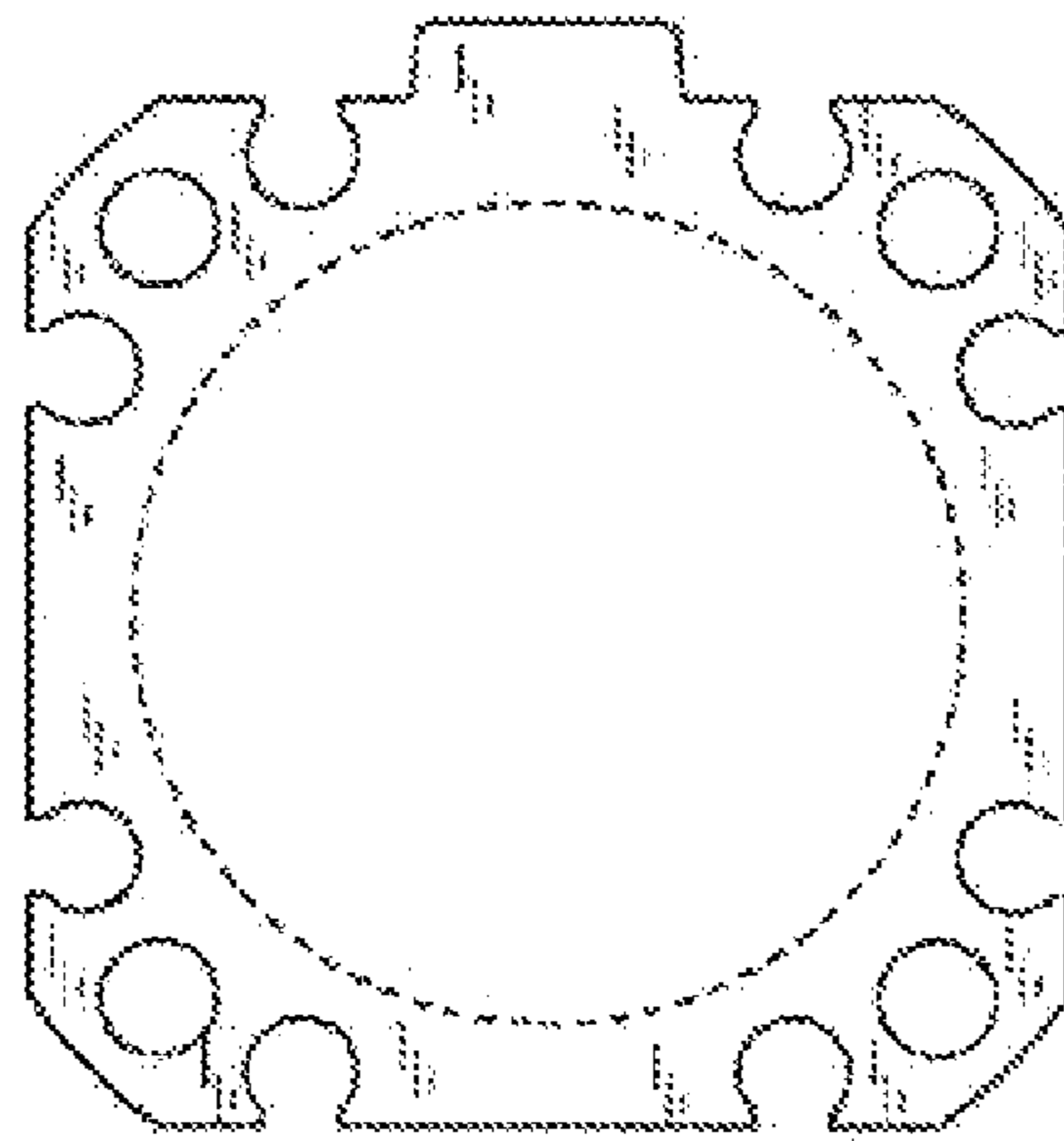


FIG. 31

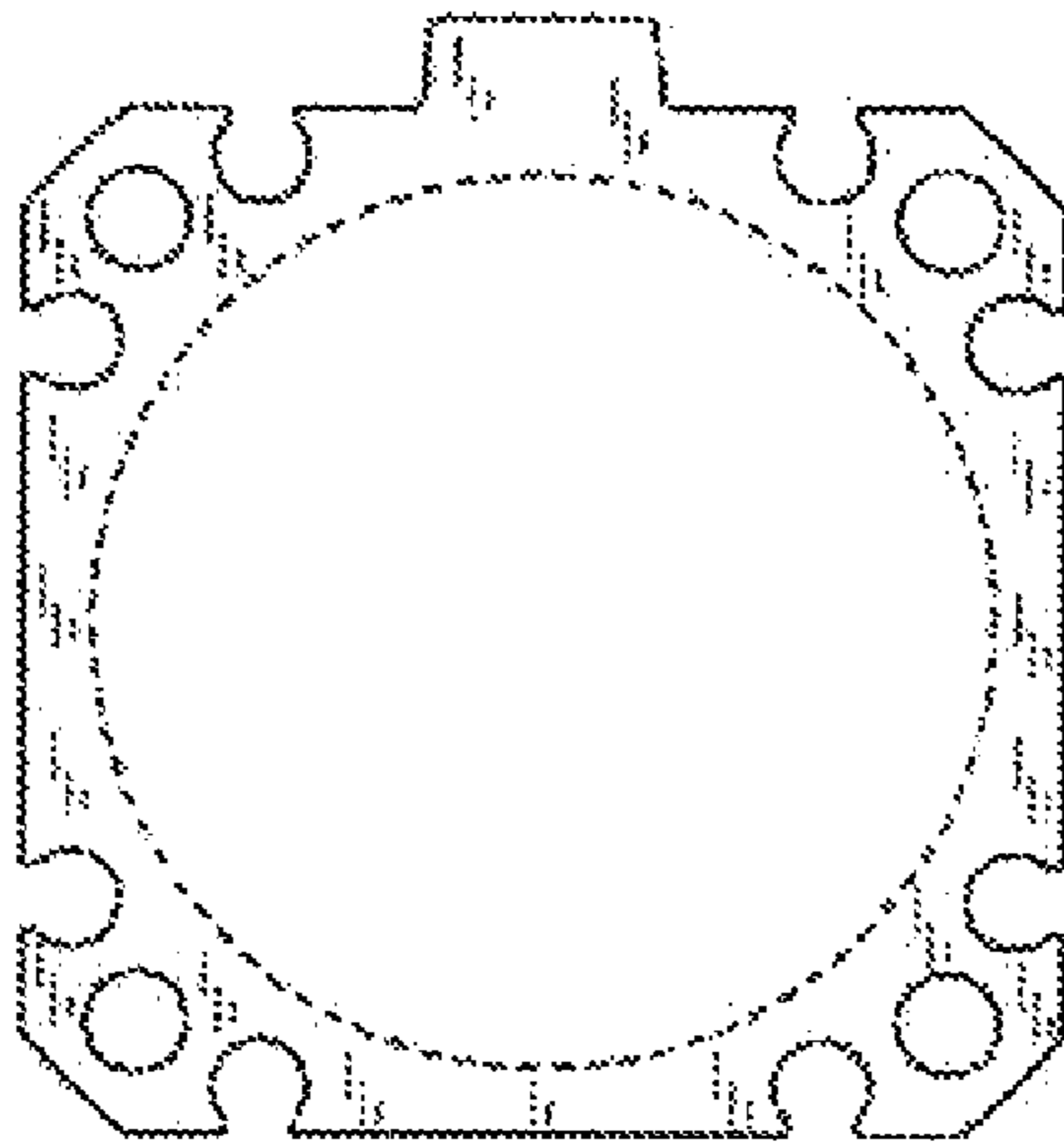


FIG. 38.

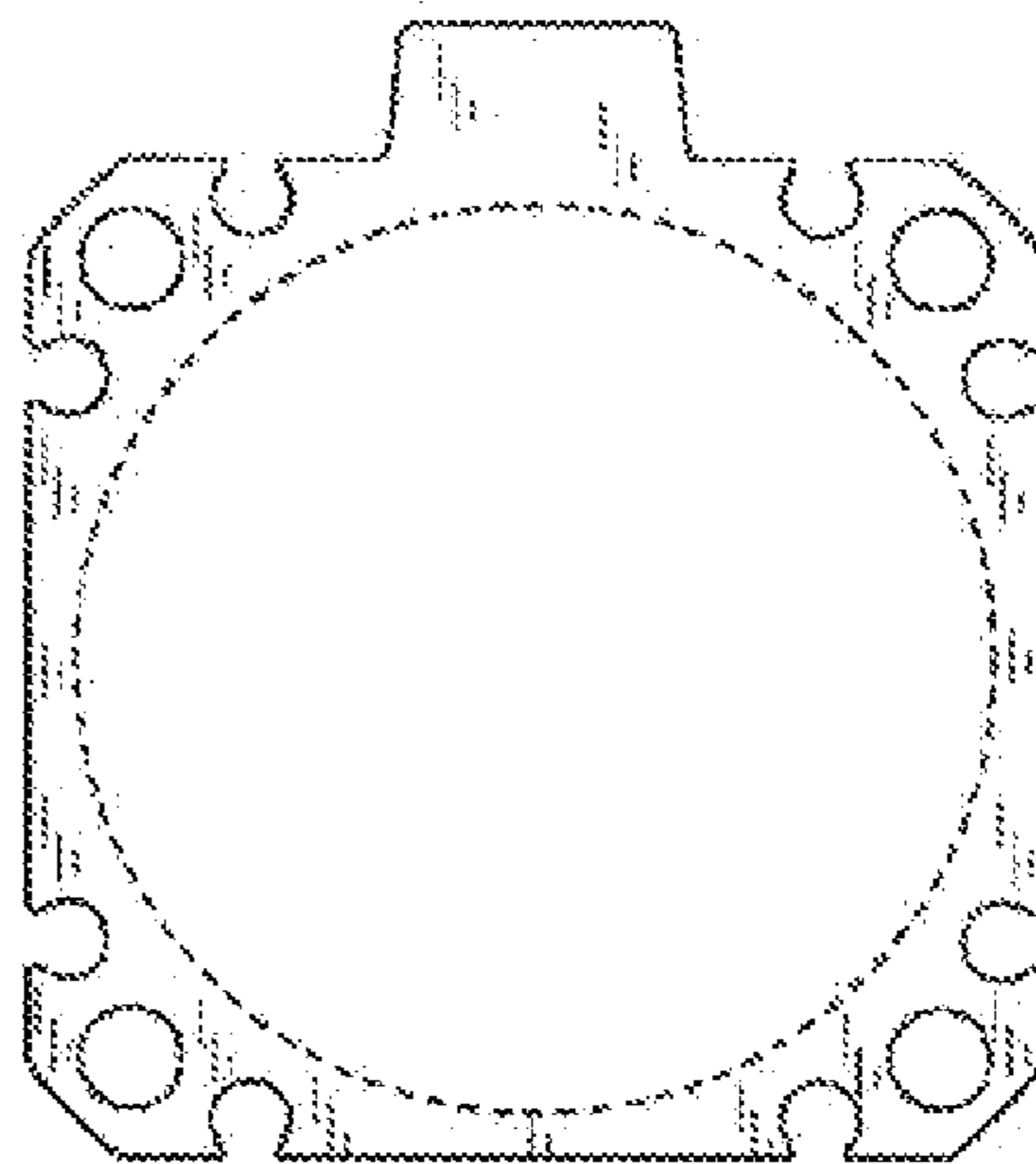


FIG. 45

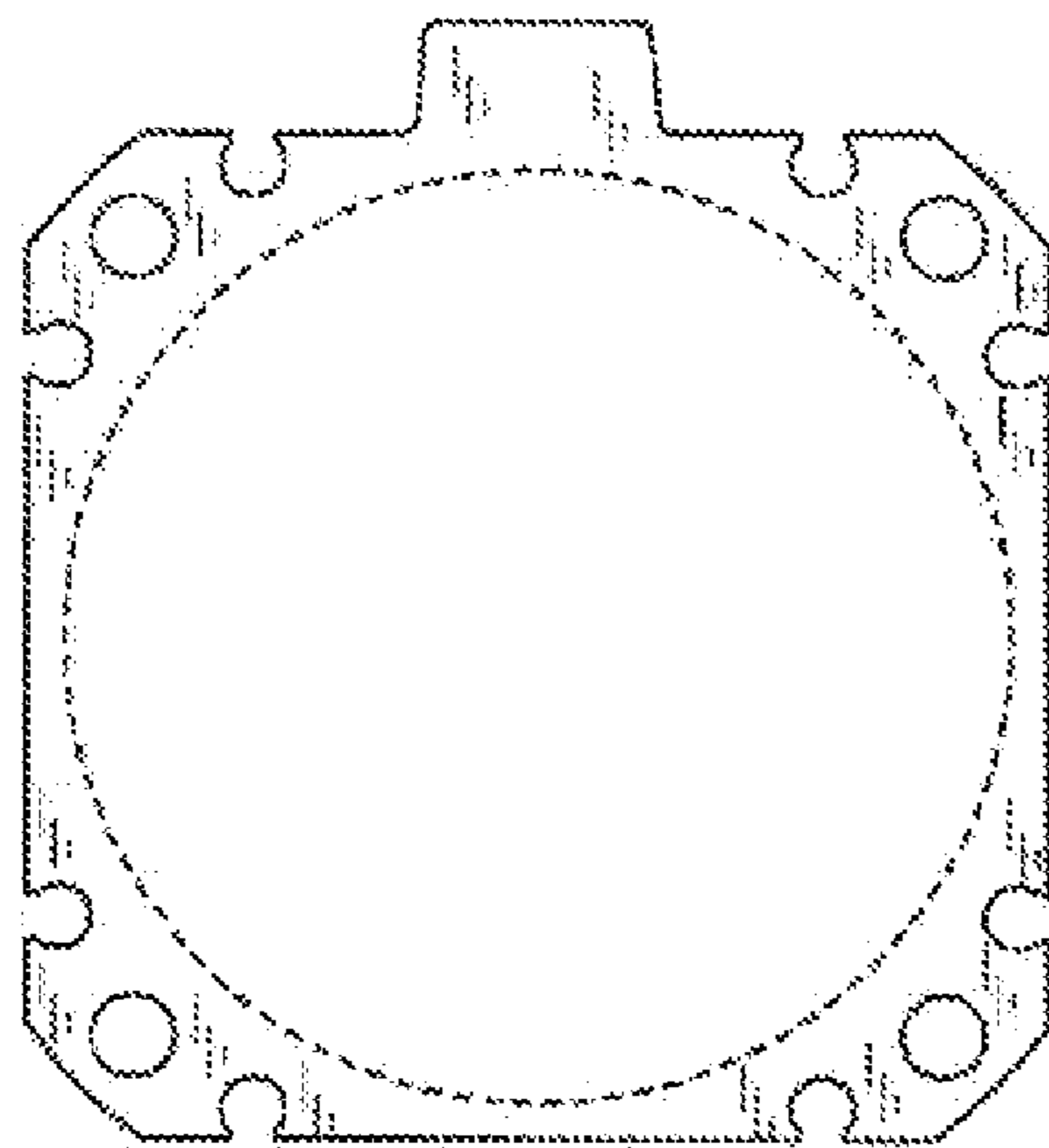


FIG. 52

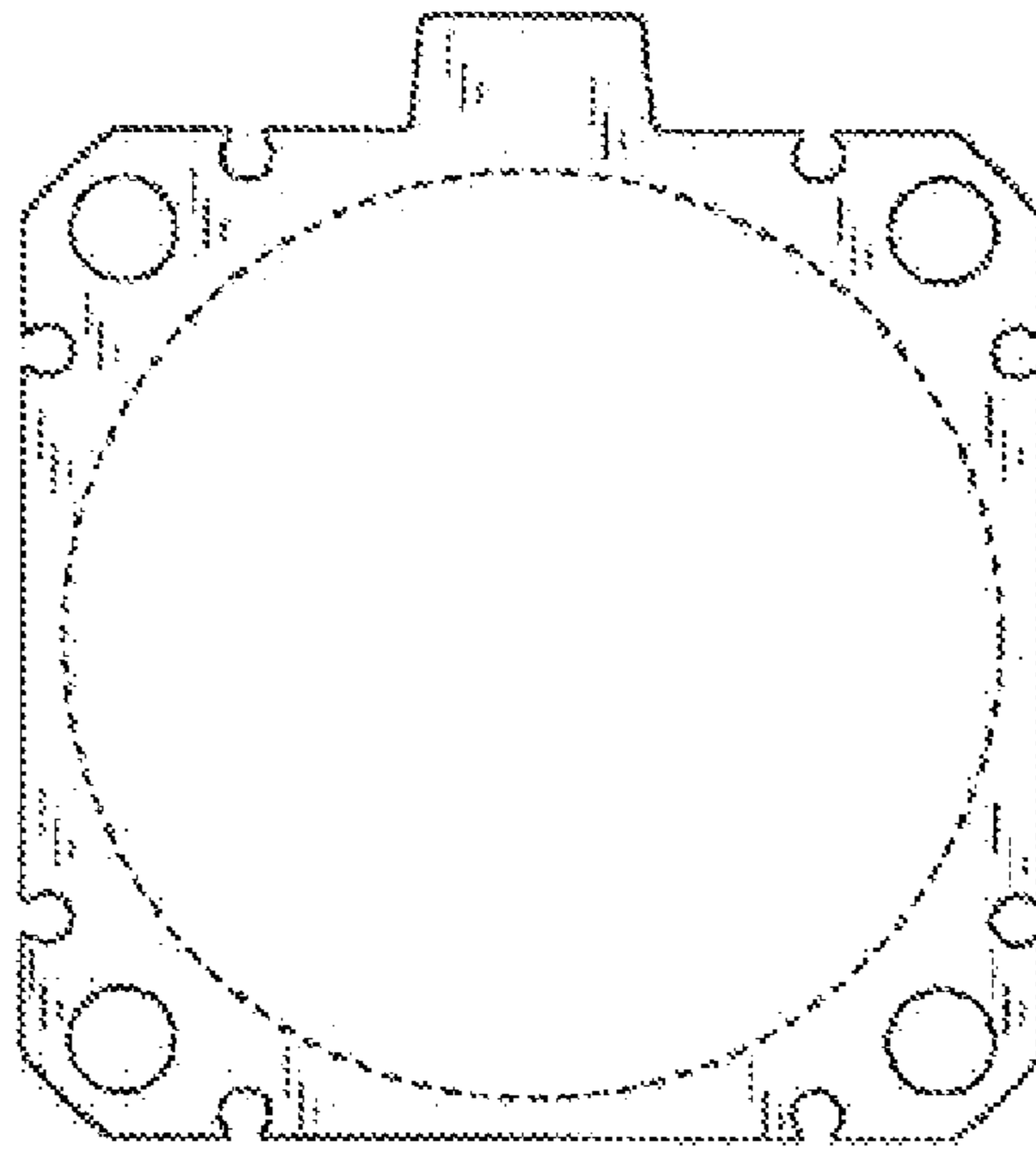


FIG. 59

