



US00D770594S

(12) **United States Design Patent** (10) **Patent No.:** **US D770,594 S**
Dammkoehler et al. (45) **Date of Patent:** **** Nov. 1, 2016**

(54) **PISTOL FOR A HIGH PRESSURE CLEANER**

- (71) Applicant: **Alfred Kaercher GmbH & Co. KG**, Winnenden (DE)
- (72) Inventors: **Denis Dammkoehler**, Backnang (DE); **Jochen Burchard**, Schwaebisch Gmuend (DE)
- (73) Assignee: **Alfred Kaercher GmbH & Co. KG**, Winnenden (DE)
- (**) Term: **15 Years**
- (21) Appl. No.: **29/533,332**
- (22) Filed: **Jul. 16, 2015**

(30) **Foreign Application Priority Data**

Mar. 5, 2015 (WO) 877275001

(51) **LOC (10) Cl.** **23-01**

(52) **U.S. Cl.**
USPC **D23/226**

(58) **Field of Classification Search**
USPC D23/213, 223, 226; 239/526, 532
CPC B05B 9/01; B05B 15/061
See application file for complete search history.

(56) **References Cited**

U.S. PATENT DOCUMENTS

D291,113 S	7/1987	Bauer	
D499,790 S	12/2004	Chen	
D555,767 S	11/2007	Carpanese	
D571,434 S	6/2008	Renner	
D573,690 S	7/2008	Meyer et al.	
D582,513 S	12/2008	Zingoni	
D600,778 S	9/2009	Meyer	
D646,352 S	10/2011	Krayer et al.	
D709,990 S	7/2014	Loudon et al.	
D757,897 S *	5/2016	Tullney D23/223

OTHER PUBLICATIONS

- Extract from catalog of Alfred Kaercher GmbH & Co. KG, "Programme 2011/2012 Kaercher Home & Garden", cover, pp. 8-34, 36-46 and last page (Aug. 2011).
- Extract from catalog of Alfred Kaercher GmbH & Co. KG, "Programme 2011/2012 Kaercher Professional", cover, pp. 8-12, 14, 16, 18, 20-22, 24, 26, 28, 30, 32, 34-40, 46-49, 51, 53, 54, 66, 67, 69, 81-83 and last page (Aug. 2011).
- Extract from catalog of Alfred Kaercher GmbH & Co. KG, "Programme 2013 Kaercher Home & Garden", cover, pp. 15-17, 19-33, 36, 37, 39, 41-46, 54, 55, 58, 59 and last page (Oct. 2012).
- Extract from catalog of Alfred Kaercher GmbH & Co. KG, "Programme 2013 Kaercher Professional", cover, pp. 16-49, 57, 71, 82-89, 91-93, 95, 99, 107 and last page (Nov. 2012).
- Extract from catalog of Alfred Kaercher GmbH & Co. KG, "Programme 2014 Kaercher Home & Garden", cover, pp. 11-13, 16-36, 42, 43, 46 and last page (Oct. 2013).

(Continued)

Primary Examiner — Robin V Webster
(74) *Attorney, Agent, or Firm* — Lipsitz & McAllister, LLC

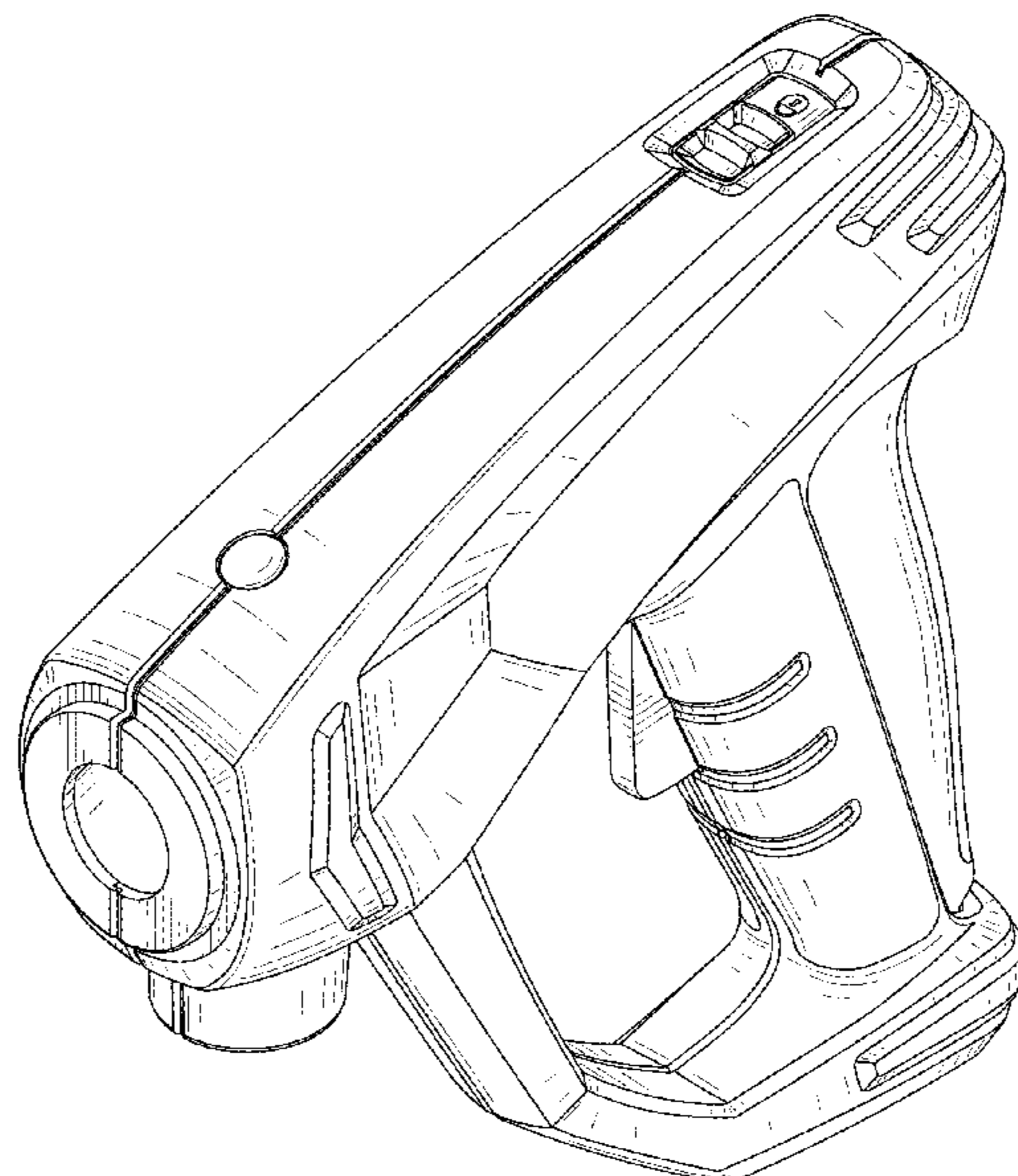
(57) **CLAIM**

The ornamental design for a pistol for a high pressure cleaner, as shown and described.

DESCRIPTION

FIG. 1 is a front, top and right side perspective view of a pistol for a high pressure cleaner showing the new design; FIG. 2 is a front, top and left side perspective view thereof; FIG. 3 is a front elevational view thereof; FIG. 4 is a right side elevational view thereof; FIG. 5 is a rear elevational view thereof; FIG. 6 is a left side elevational view thereof; and, FIG. 7 is a top plan view thereof.

1 Claim, 7 Drawing Sheets



(56)

References Cited

OTHER PUBLICATIONS

Extract from catalog of Alfred Kaercher GmbH & Co. KG, "Programme 2014 Kaercher Professional", cover, pp. 18, 20, 22, 24, 26-32, 34, 36, 38, 40-42, 44, 46, 47, 63, 78, 105, 109, 115, 117 and last page (Oct. 2013).

Extract for catalog of Alfred Kaercher GmbH & Co. KG, "Programme 2010 Kaercher Home & Garden", cover, pp. 10-24 and last page (Nov. 2009).

Extract for catalog of Alfred Kaercher GmbH & Co. KG, "Programme 2010 Kaercher Professional (Professional, Commercial, Industrial)", cover, pp. 10-18, 21, 25 and last page (Nov. 2009).

Extract for catalog of Alfred Kaercher GmbH & Co. KG, "Programme 2011 Kaercher Professional (Commercial)", cover, pp. 12, 14, 16, 18, 24, 26 and last page (Nov. 2010).

Extract for catalog of Alfred Kaercher GmbH & Co. KG, "Programme 2011 Kaercher Home & Garden", cover, pp. 12-31 and last page (Nov. 2010).

Extract for catalog of Alfred Kaercher GmbH & Co. KG, "Programme 2012 Kaercher Home & Garden", cover, pp. 14, 15, 17, 20-41 and last page (Oct. 2011).

Extract for catalog of Alfred Kaercher GmbH & Co. KG, "Programme 2012 Kaercher Professional", cover, pp. 12, 14, 16, 18, 20-25, 28, 30, 32, 34-36, 38, 40-42, 44 and last page (Nov. 2011).

Extract for catalog of Alfred Kaercher GmbH & Co. KG, "Programme 2015 Professional Pro-Range", cover, pp. 6, 8 and last page (Dec. 2014).

Extract for catalog of Alfred Kaercher GmbH & Co. KG, "Programme 2015 Professional", cover, pp. 11, 28-183 and last page (Nov. 2014).

Extract for catalog of Alfred Kaercher GmbH & Co. KG, "Programme 2015/2016 Home & Garden 60 Hz", cover, pp. 3, 9-49 and last page (Nov. 2014).

* cited by examiner

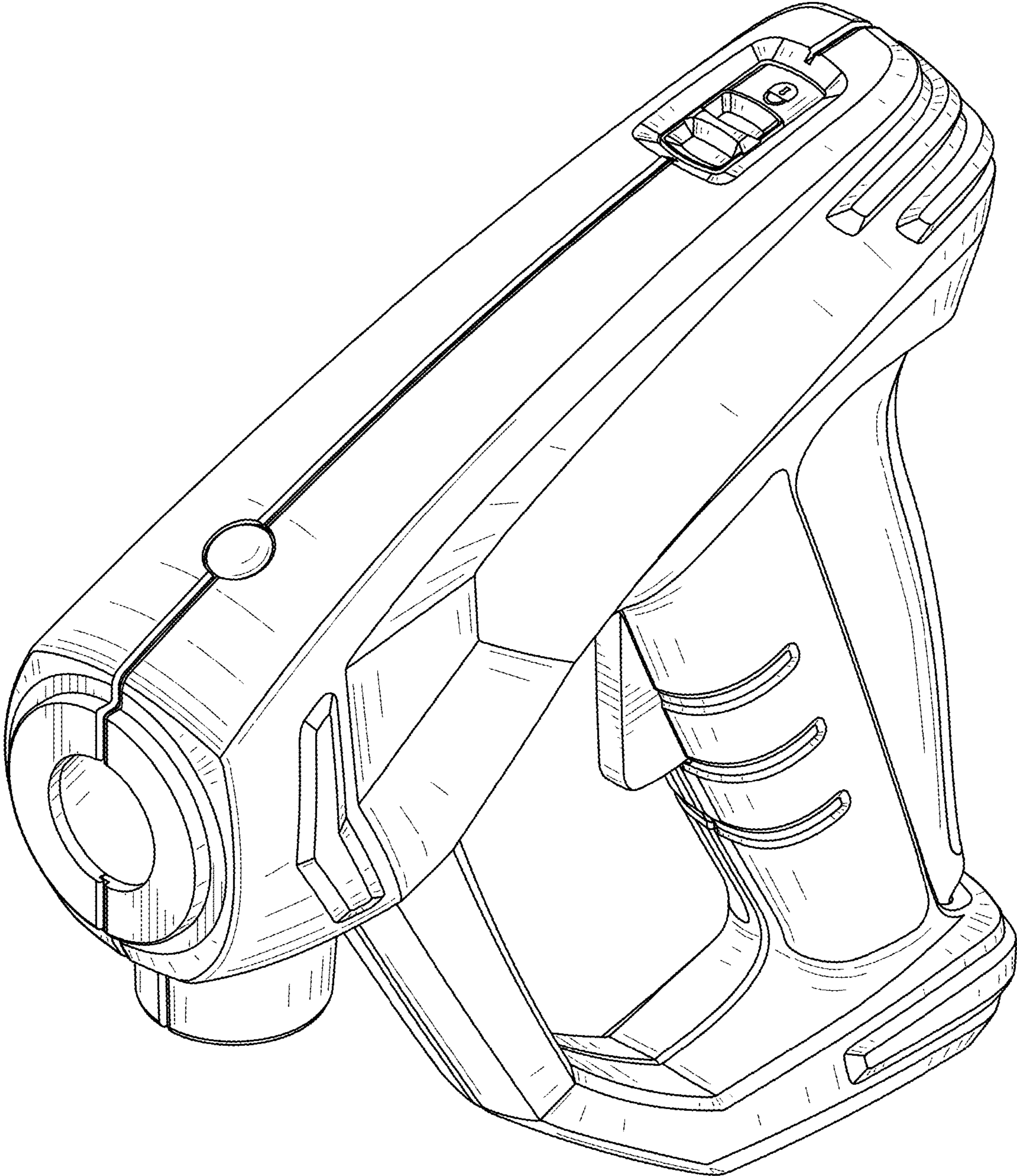


FIG. 1

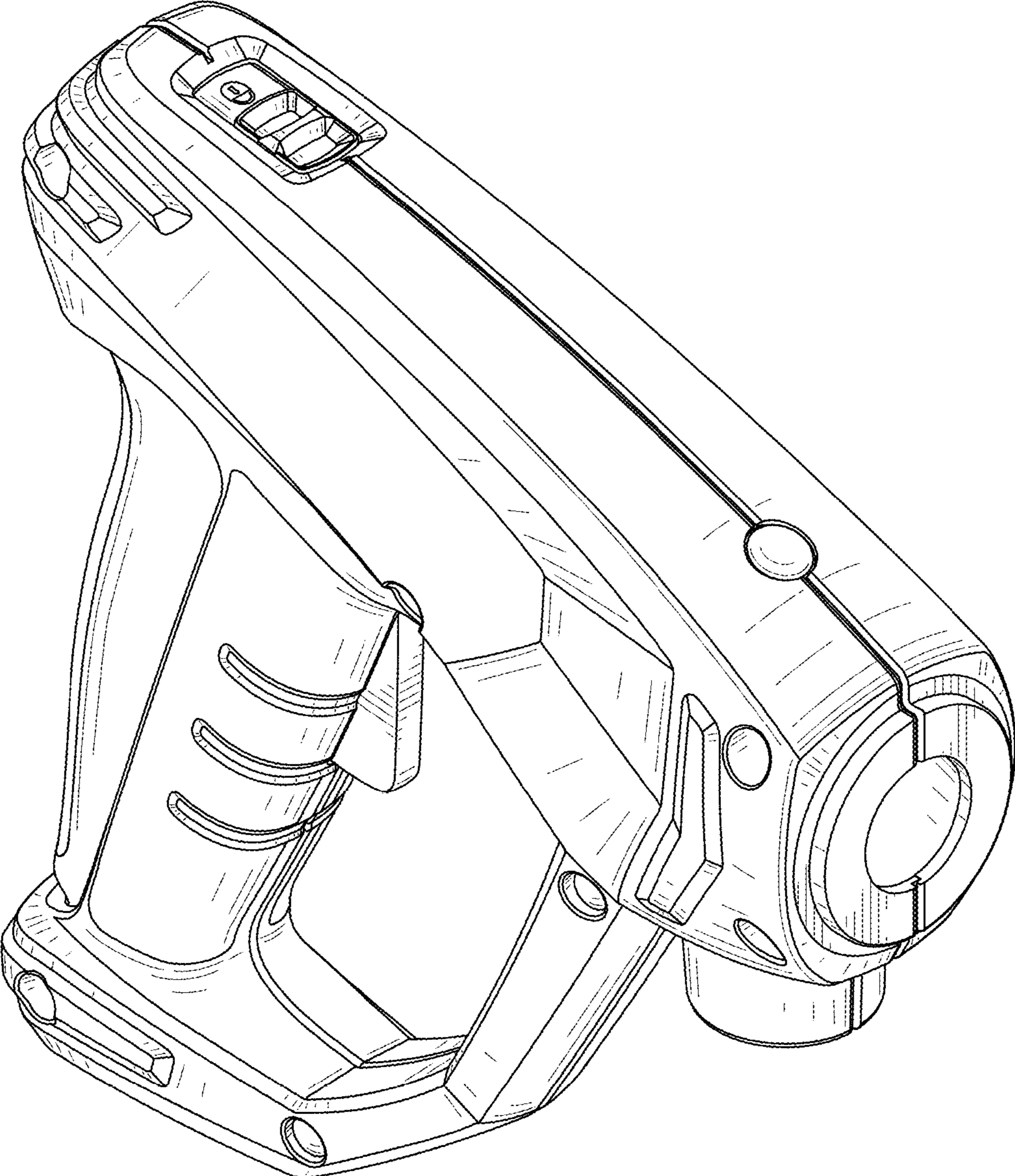


FIG. 2

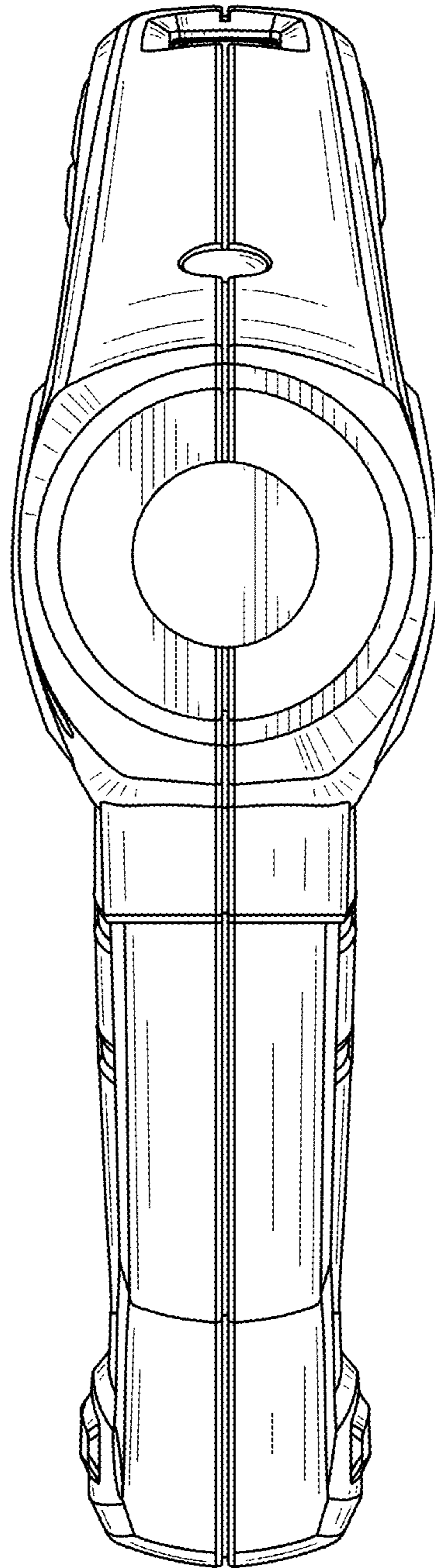


FIG. 3

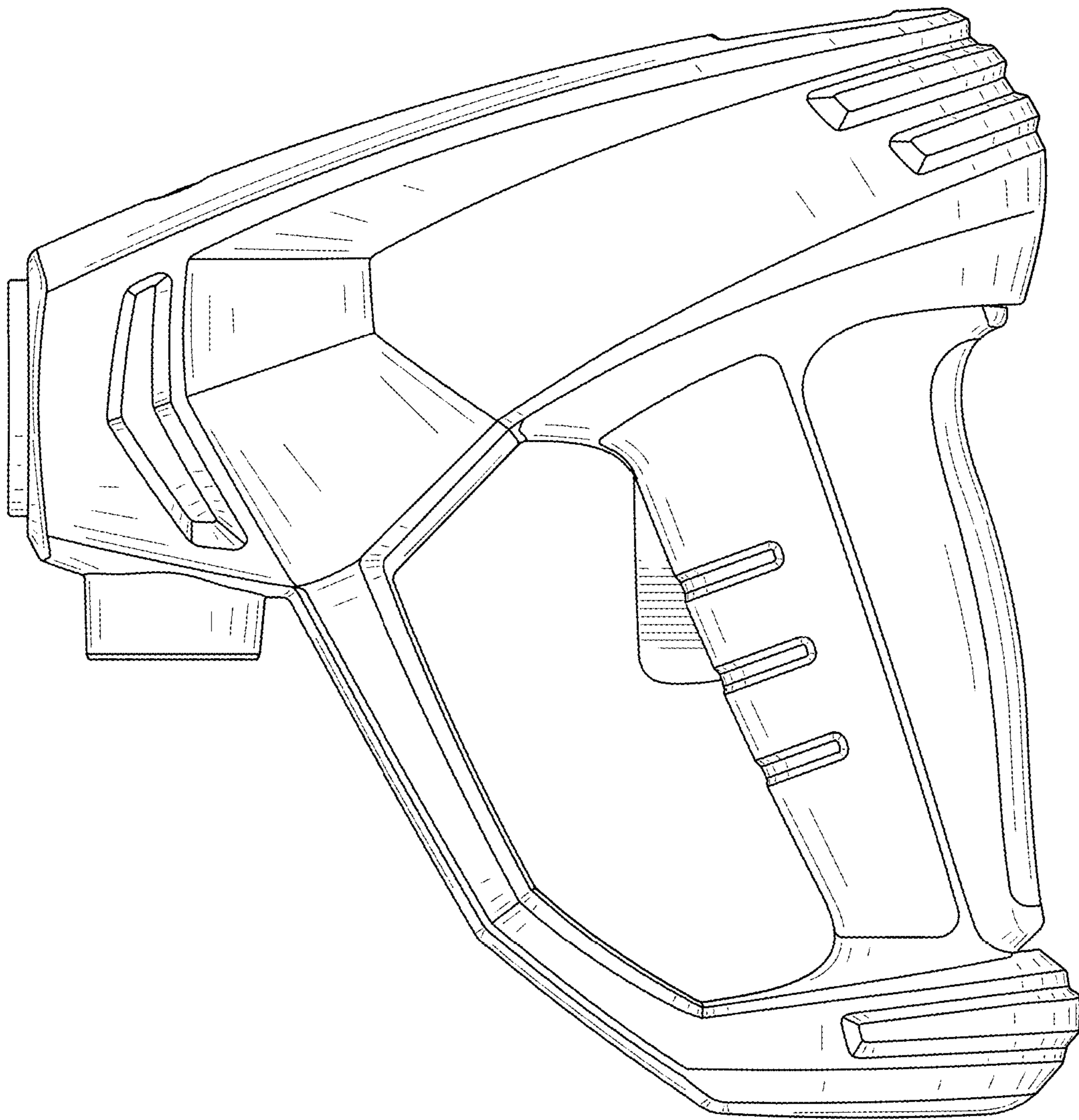


FIG. 4

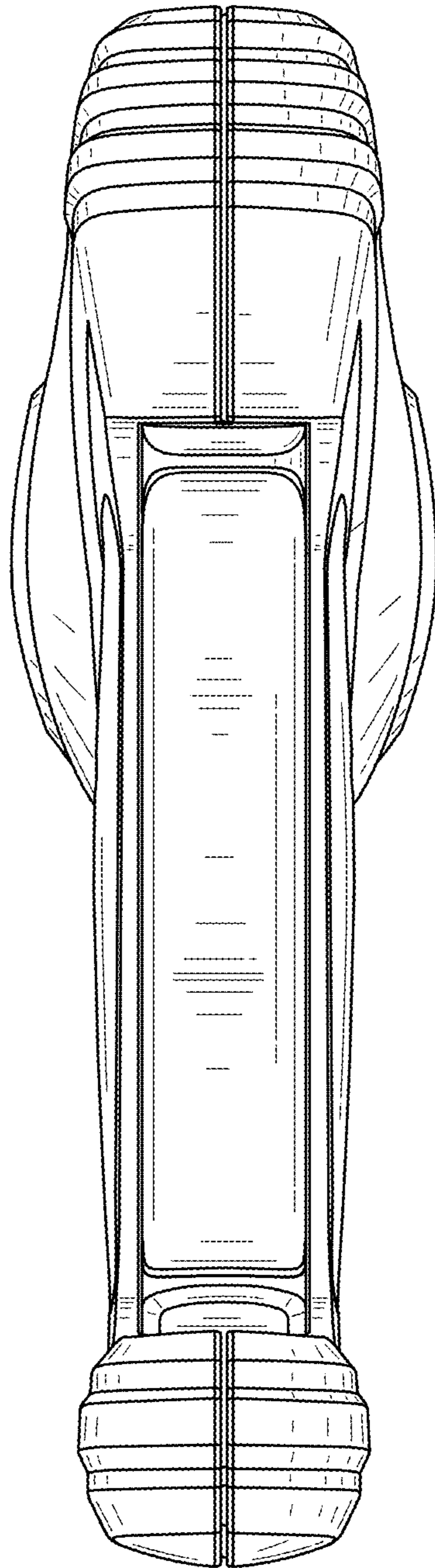


FIG. 5

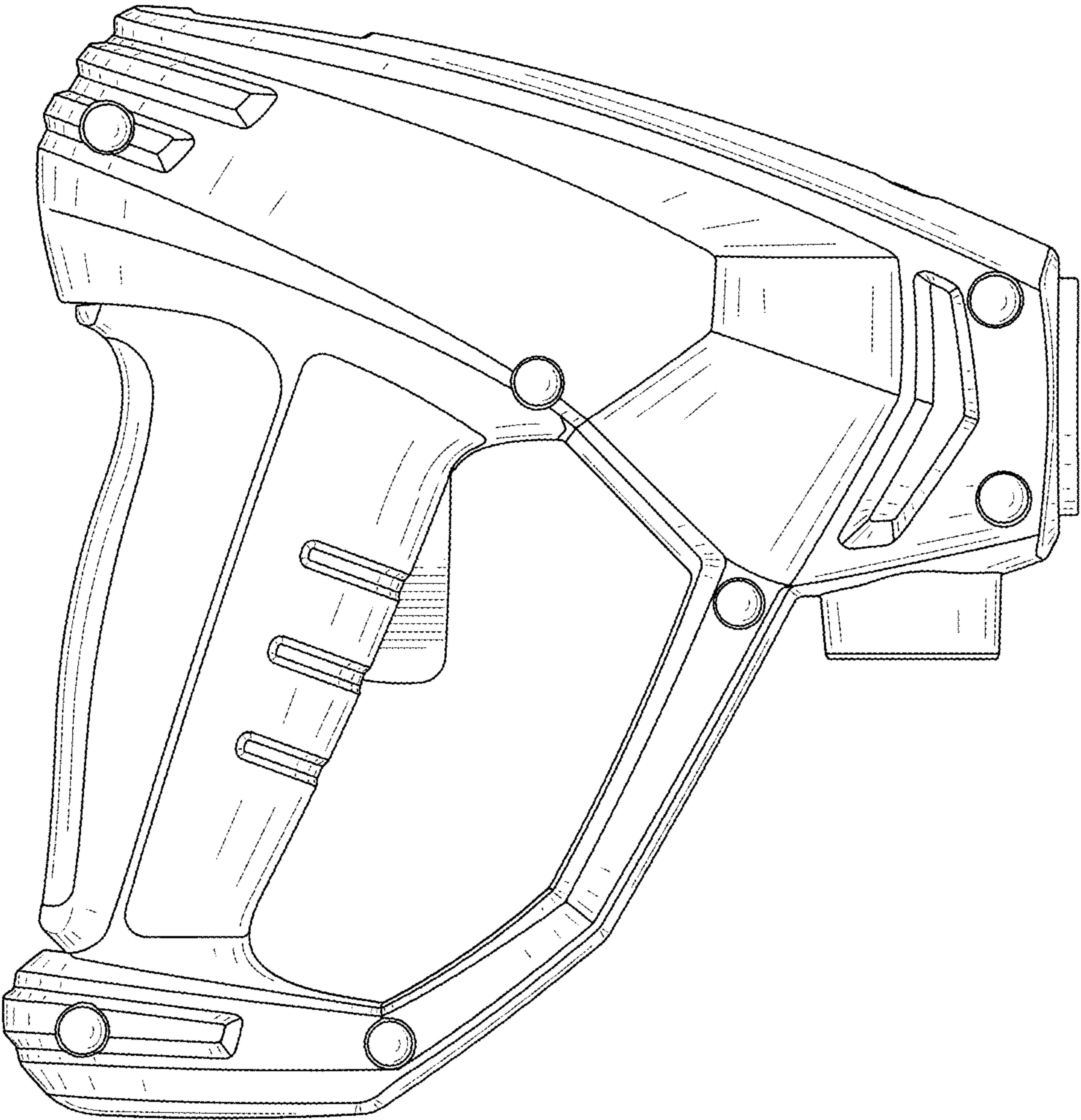


FIG. 6

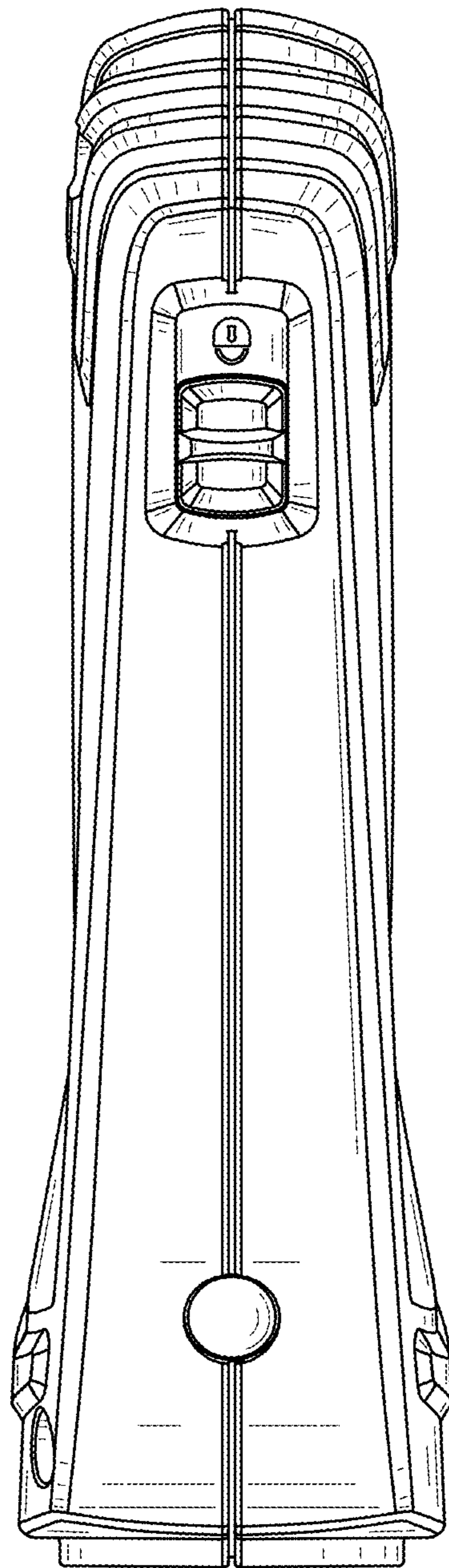


FIG. 7