



US00D770590S

(12) **United States Design Patent** (10) **Patent No.:** **US D770,590 S**
Sui (45) **Date of Patent:** **** Nov. 1, 2016**

(54) **QUAD RAIL FOR FIREARM**
(71) Applicant: **Yongming Sui**, Ontario, CA (US)
(72) Inventor: **Yongming Sui**, Ontario, CA (US)
(**) Term: **15 Years**

D717,908 S * 11/2014 Montes D22/108
D721,407 S * 1/2015 Chu D21/574
D724,170 S * 3/2015 Huang D22/108
D736,886 S * 8/2015 Cheng D22/108
D737,397 S * 8/2015 Cheng D22/108
D747,426 S * 1/2016 Cheng D22/108
D747,428 S * 1/2016 Chen D22/108
9,389,043 B1 * 7/2016 Zhang F41C 23/16

* cited by examiner

(21) Appl. No.: **29/527,199**
(22) Filed: **May 16, 2015**
(51) **LOC (10) Cl.** **22-01**
(52) **U.S. Cl.**
USPC **D22/108**
(58) **Field of Classification Search**
USPC D22/108; D8/68
CPC F41C 23/10; F41C 23/14; F41C 23/16;
F41C 23/18
See application file for complete search history.

Primary Examiner — Michael A Pratt
(74) *Attorney, Agent, or Firm* — Che-Yang Chen; Law
Offices of Scott Warmuth

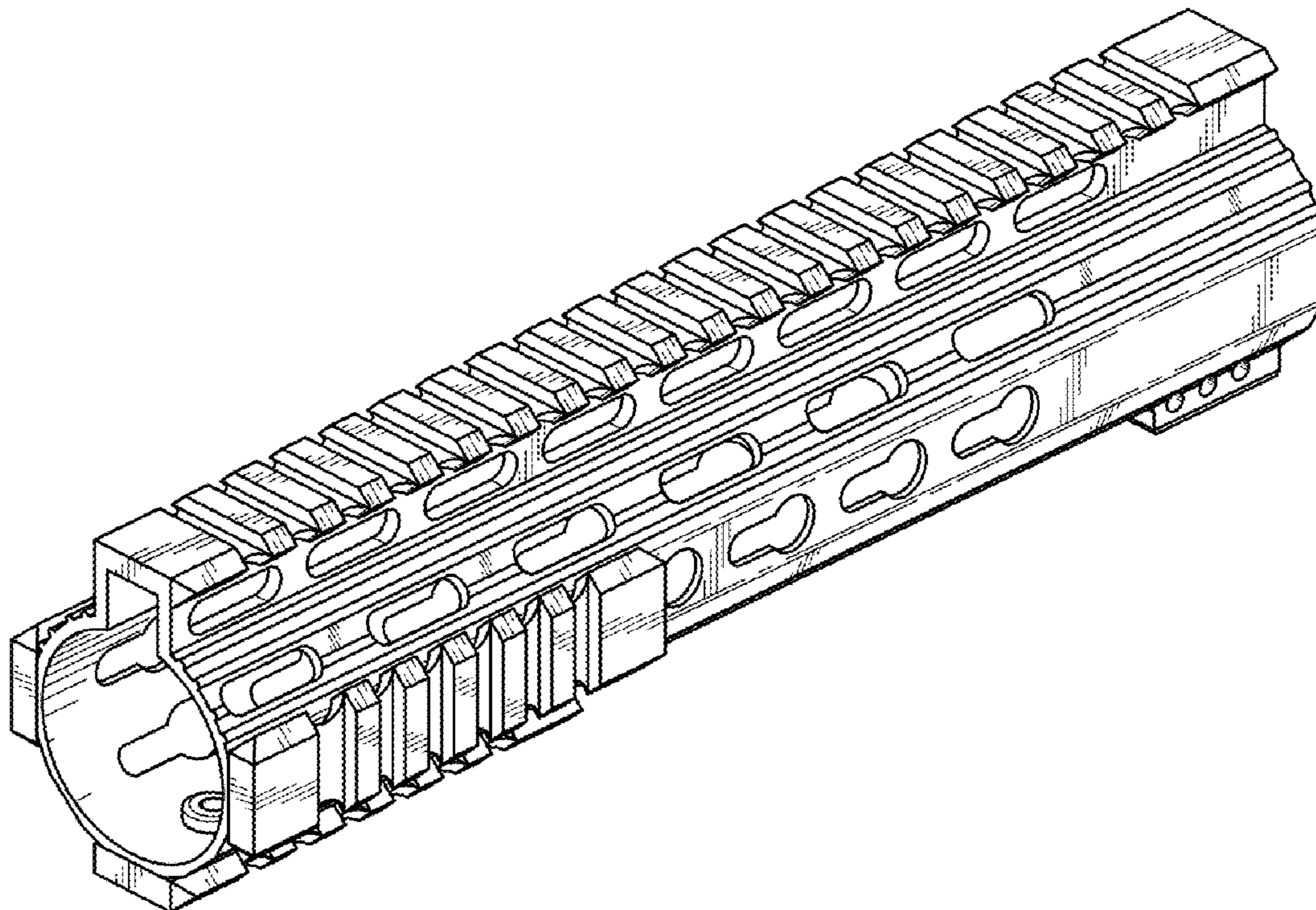
(57) **CLAIM**
The ornamental design for a quad rail for firearm, as shown
and described.

DESCRIPTION

FIG. 1 is a perspective view of a quad rail for firearm
showing my new design;
FIG. 2 is a front elevational view thereof;
FIG. 3 is a rear elevational view thereof;
FIG. 4 is a left side elevational view thereof;
FIG. 5 is a right side elevational view thereof;
FIG. 6 is a top plan view thereof; and,
FIG. 7 is a bottom plan view thereof.

(56) **References Cited**
U.S. PATENT DOCUMENTS
D607,958 S * 1/2010 Swan D22/108
D613,811 S * 4/2010 Swan D22/108
D709,582 S * 7/2014 Geissele D22/108
D711,492 S * 8/2014 Yan D22/108
D717,907 S * 11/2014 Montes D22/108

1 Claim, 3 Drawing Sheets



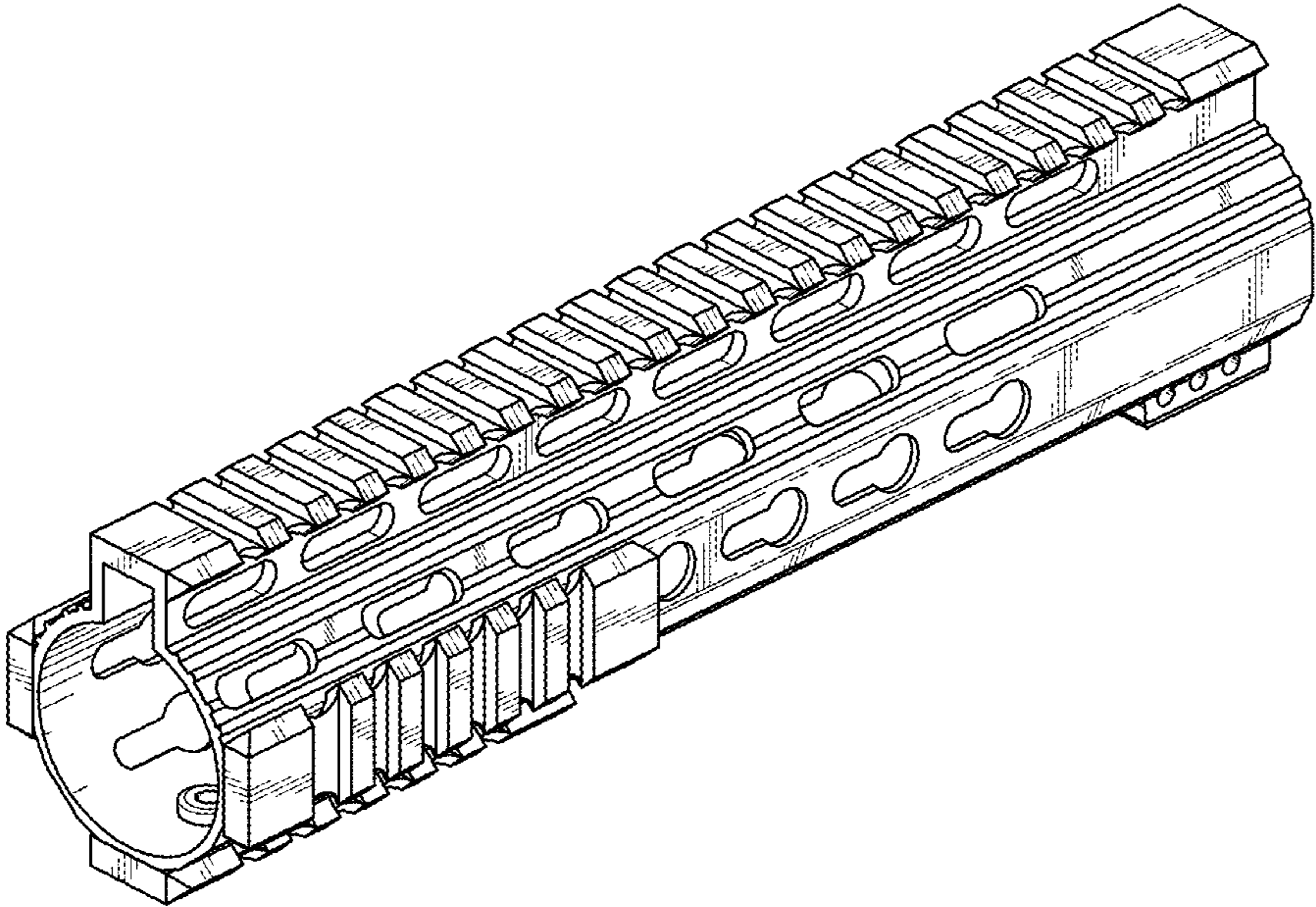


FIG. 1

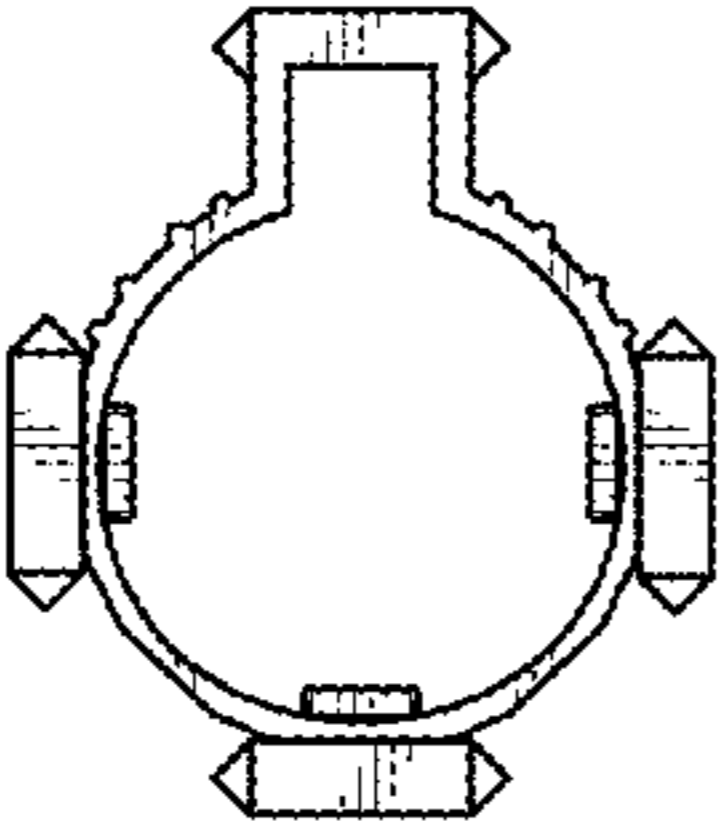


FIG. 2

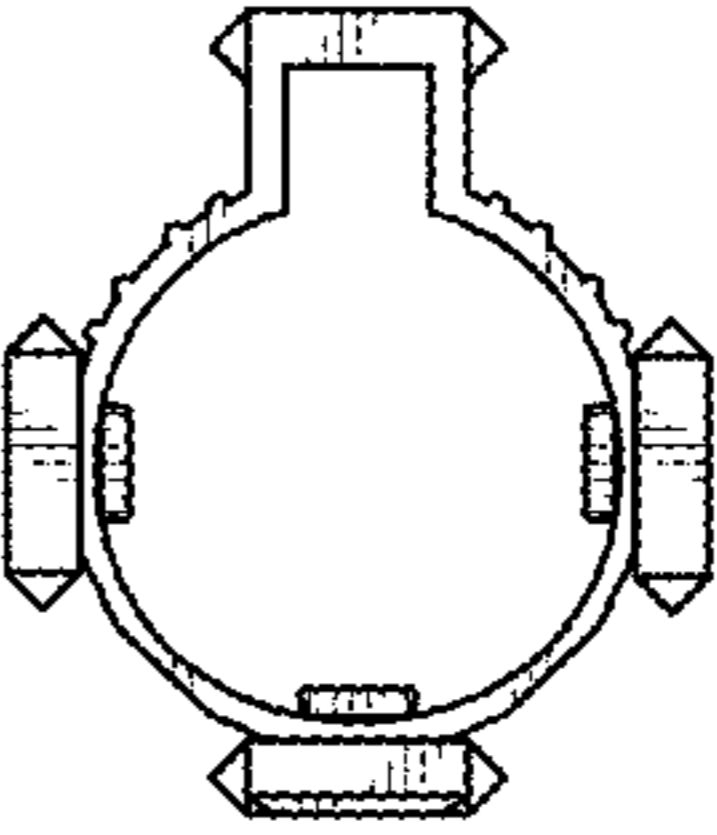


FIG. 3

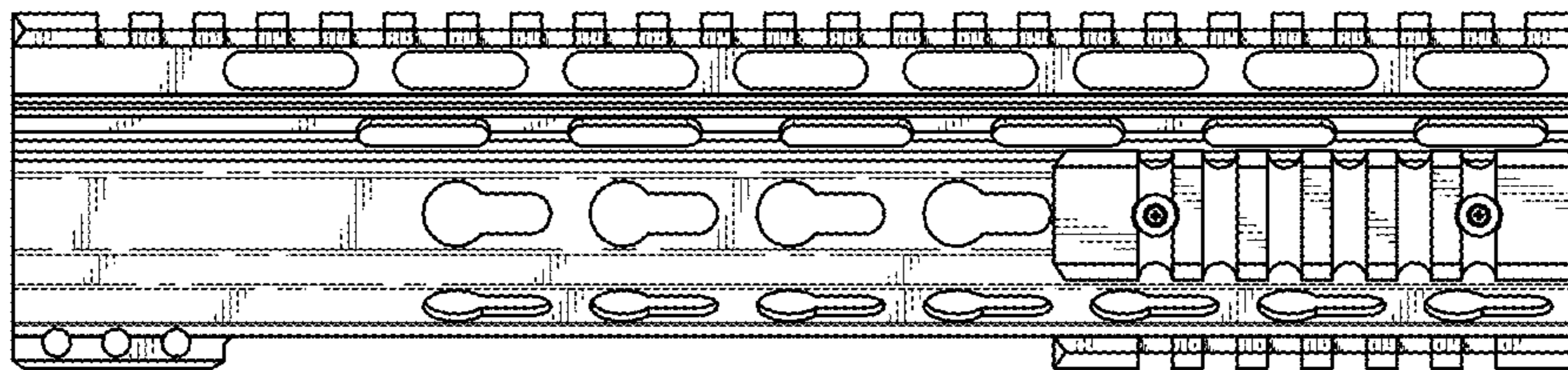


FIG. 4

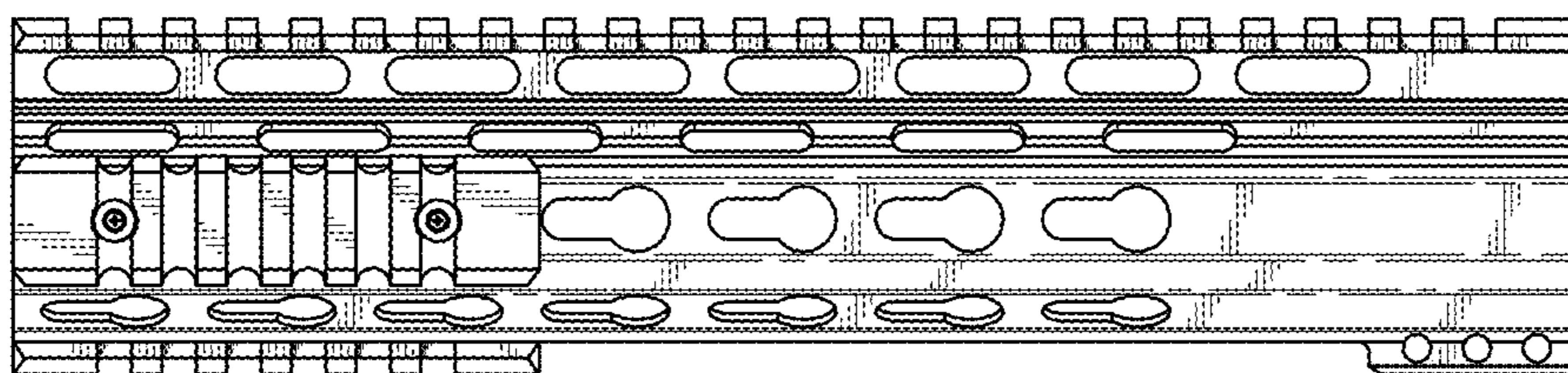


FIG. 5

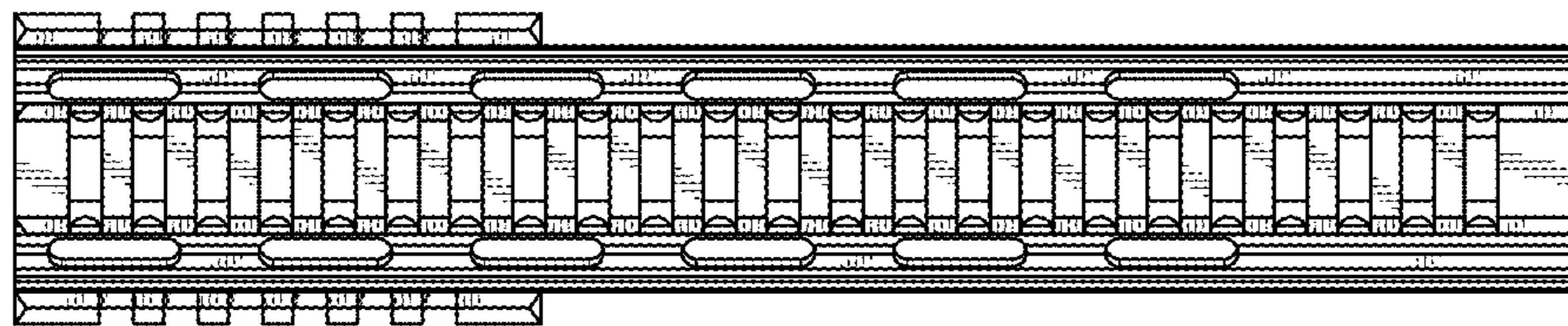


FIG. 6

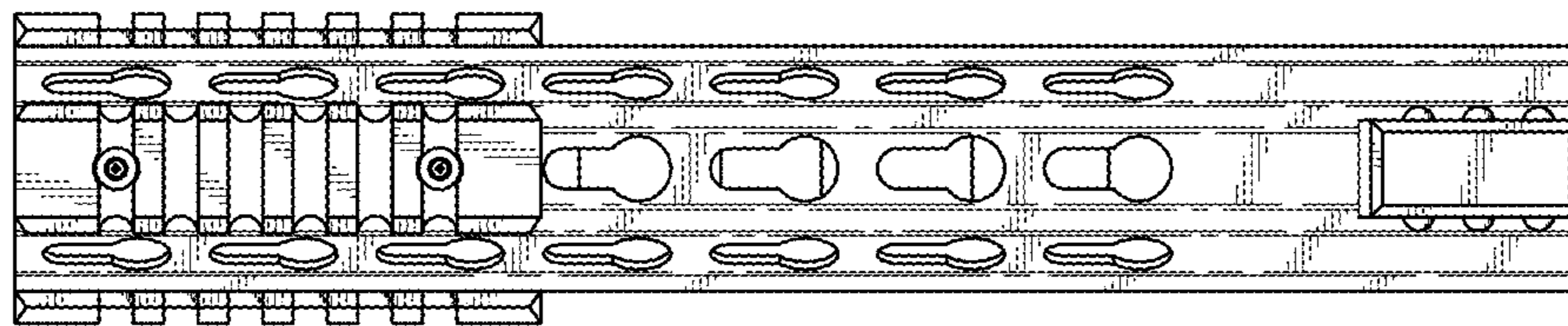


FIG. 7