



US00D770589S

(12) **United States Design Patent** (10) **Patent No.:** **US D770,589 S**  
**Underwood** (45) **Date of Patent:** **\*\* Nov. 1, 2016**

(54) **BOLT RELEASE CATCH FOR FIREARM**

(71) Applicant: **AXTS Weapons Systems, Salem, OR**  
(US)

(72) Inventor: **Joshua A. Underwood, Salem, OR**  
(US)

(73) Assignee: **AXTS WEAPONS SYSTEMS, Salem, OR (US)**

(\*\*) Term: **14 Years**

(21) Appl. No.: **29/517,554**

(22) Filed: **Feb. 13, 2015**

**Related U.S. Application Data**

(62) Division of application No. 13/705,969, filed on Dec. 5, 2012, now Pat. No. 8,984,786, which is a division of application No. 12/879,986, filed on Sep. 10, 2010, now Pat. No. 8,327,749.

(51) **LOC (10) Cl.** ..... **22-01**

(52) **U.S. Cl.**  
USPC ..... **D22/108**

(58) **Field of Classification Search**  
USPC ..... D22/108  
CPC ..... F41C 23/10; F41C 23/14; F41C 23/16;  
F41C 23/18; F41C 23/00; F41C 27/00;  
F41C 27/06; F41A 5/18; F41A 5/24; F41A  
21/28

See application file for complete search history.

(56) **References Cited**

**U.S. PATENT DOCUMENTS**

4,128,042 A 12/1978 Atchisson  
6,557,288 B2 5/2003 Szabo

7,661,219 B1 2/2010 Knight et al.  
8,015,742 B2 9/2011 Zedrosser  
D652,468 S \* 1/2012 Burt ..... D22/108  
8,261,652 B2 \* 9/2012 Findlay ..... F41A 17/36  
42/70.02  
8,984,786 B2 \* 3/2015 Underwood ..... F41A 9/59  
42/18  
9,016,188 B2 \* 4/2015 Larson ..... F41A 5/28  
89/193  
2003/0208940 A1 \* 11/2003 Johnson ..... F41A 3/12  
42/18  
2006/0123683 A1 \* 6/2006 Garrett ..... F41A 17/38  
42/6  
2011/0056107 A1 3/2011 Underwood  
2014/0237878 A1 \* 8/2014 Lambert ..... F41A 3/66  
42/75.01

\* cited by examiner

*Primary Examiner* — Michael A Pratt

(74) *Attorney, Agent, or Firm* — Schwabe, Williamson & Wyatt

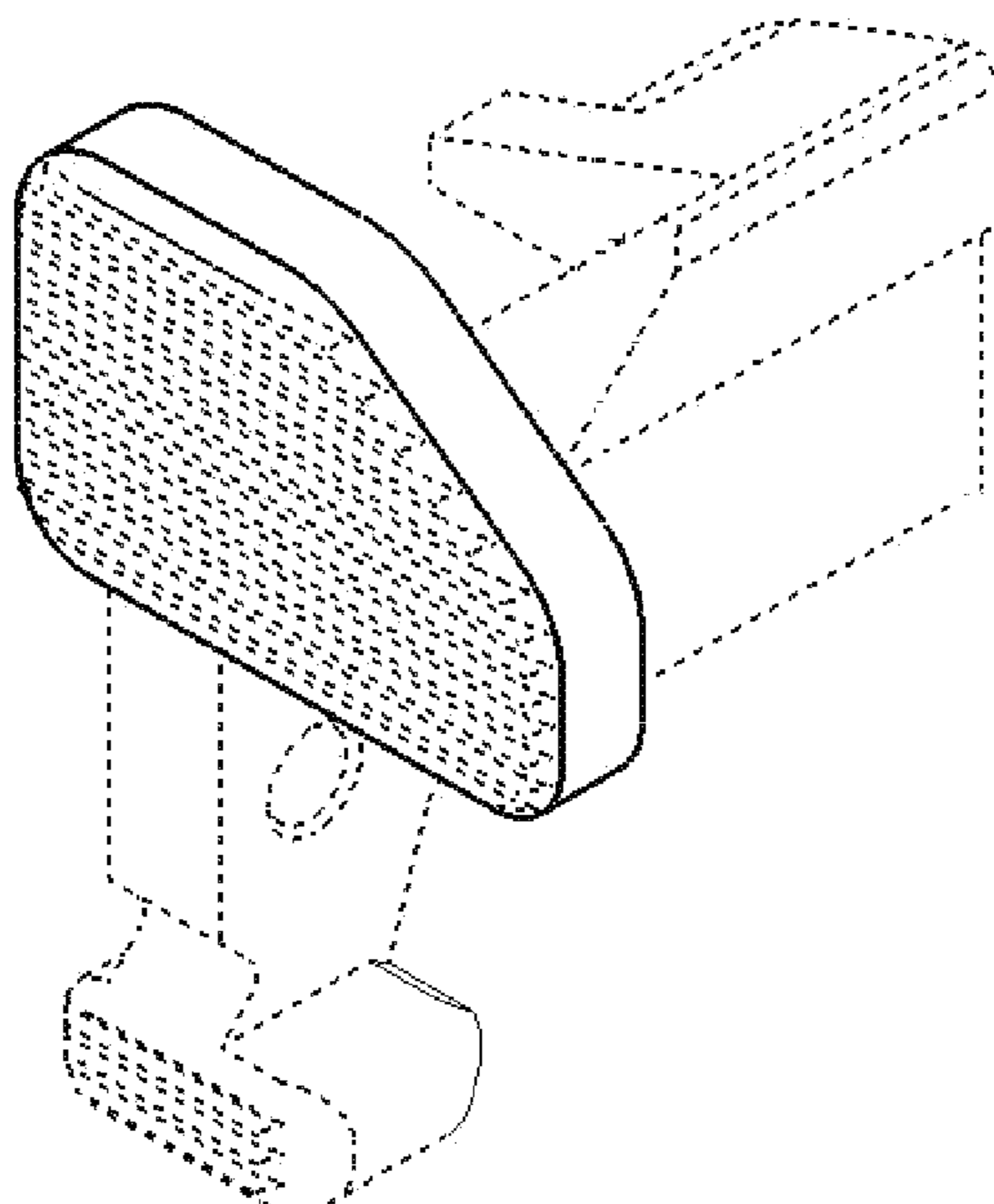
(57) **CLAIM**

The ornamental design for a bolt release catch for firearm, as shown and described.

**DESCRIPTION**

FIG. 1 is a perspective view of a bolt release catch. FIG. 2 is a front view of the bolt release catch of FIG. 1. FIG. 3 is a left side view of the bolt release catch of FIG. 1; and, FIG. 4 is a right side view of the bolt release catch of FIG. 1. The broken lines are included for the purpose of illustrating portions of the article and form no part of the claimed design.

**1 Claim, 3 Drawing Sheets**



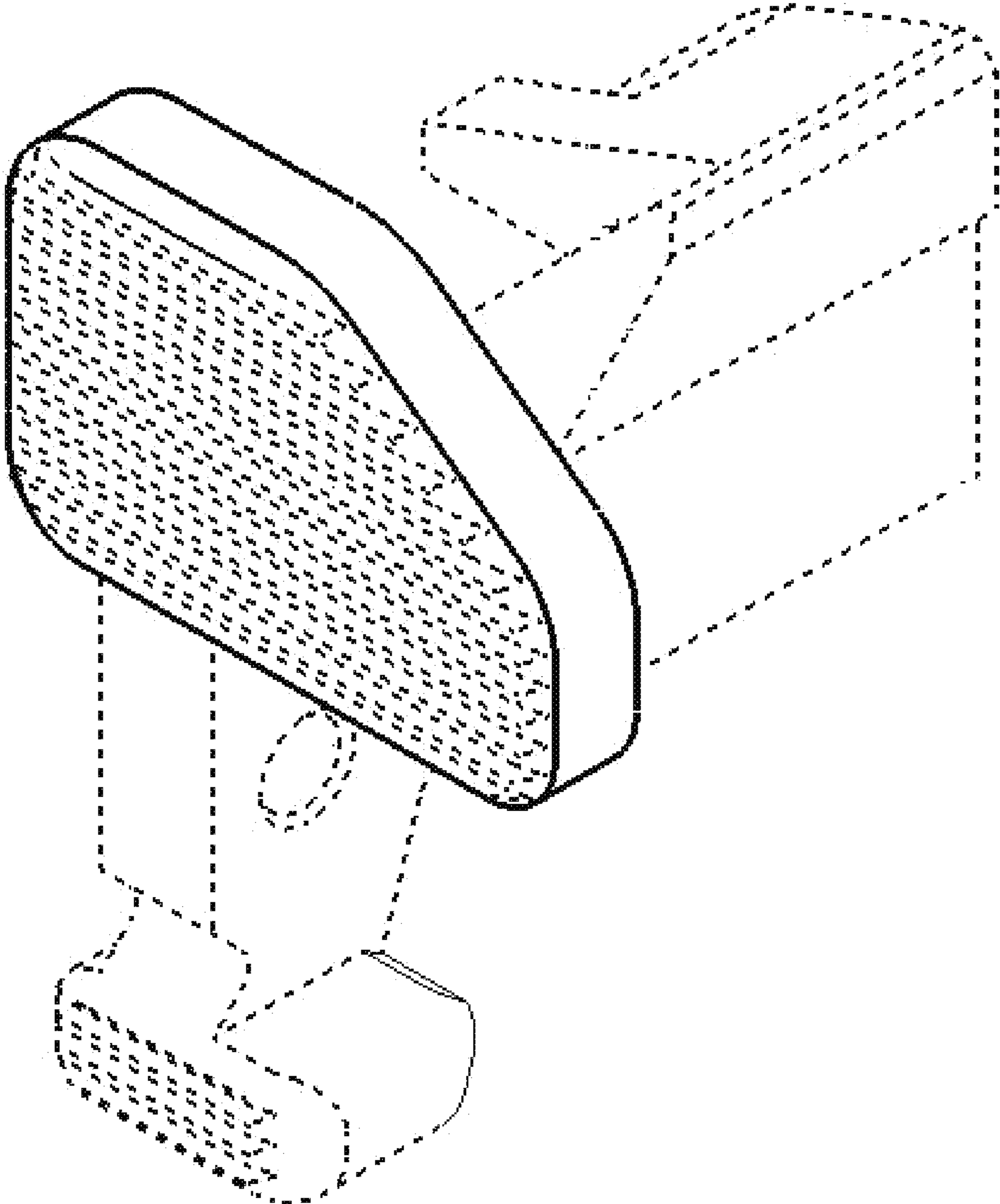


FIG. 1

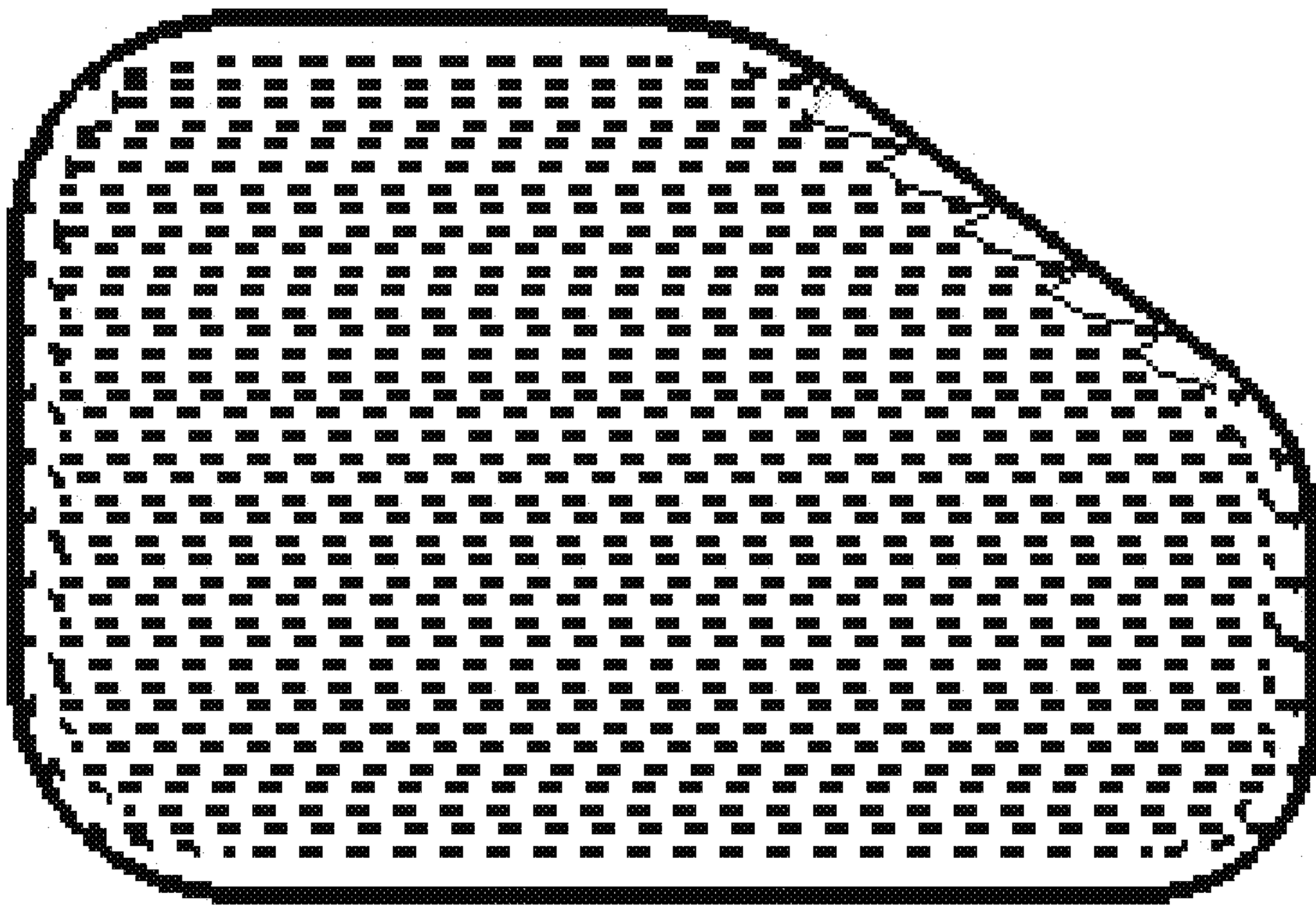


FIG. 2

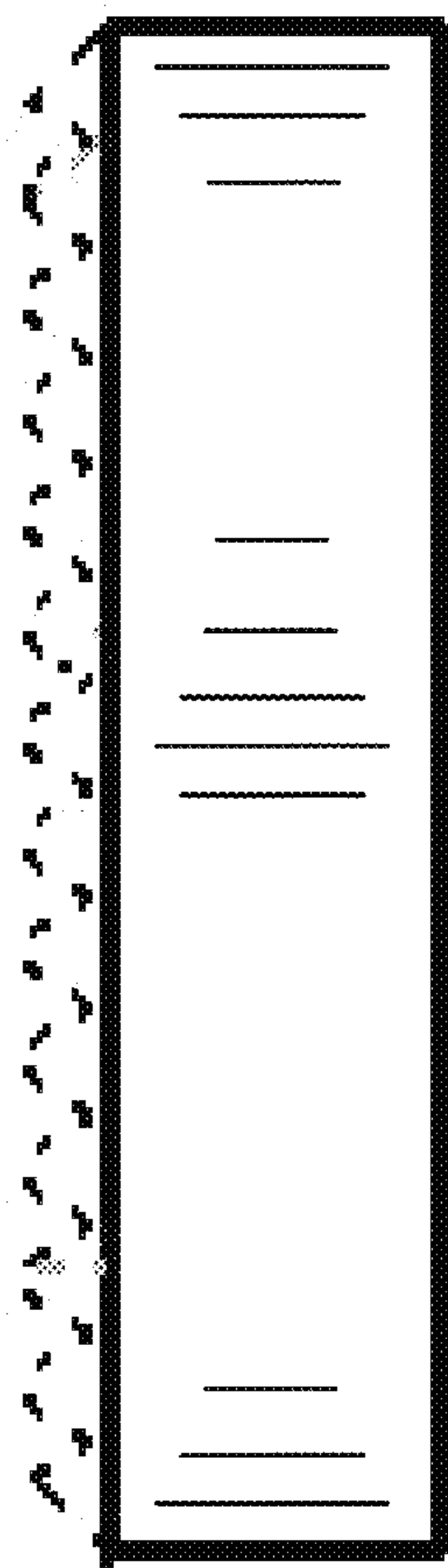


FIG. 3

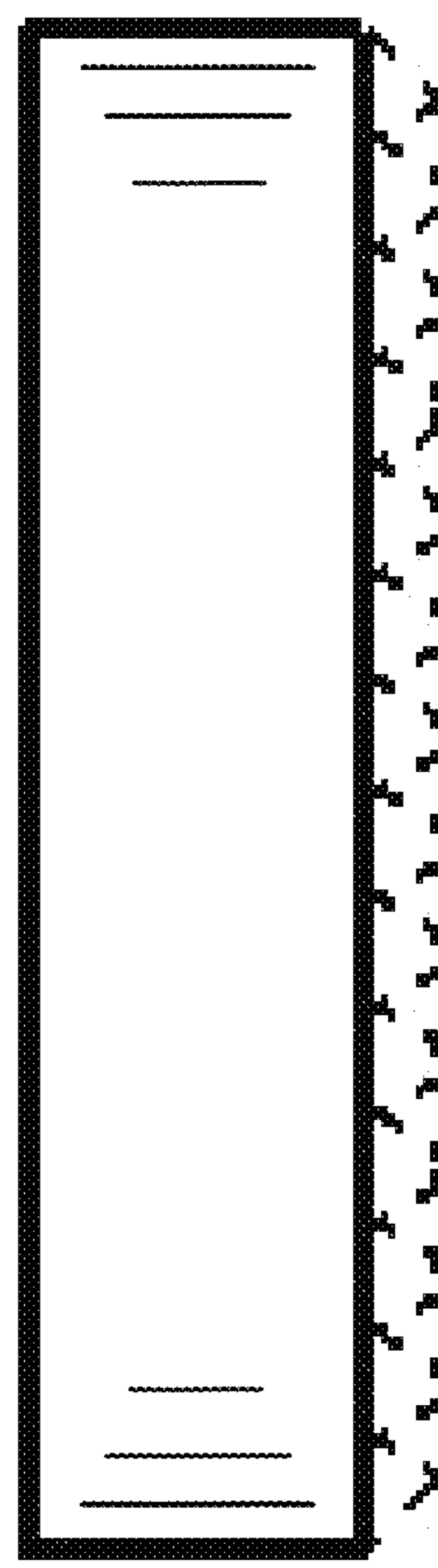


FIG. 4