



US00D770588S

(12) **United States Design Patent** (10) **Patent No.:** **US D770,588 S**  
**Cauley, Jr. et al.** (45) **Date of Patent:** **\*\* Nov. 1, 2016**

(54) **LOADER FOR A FIREARM MAGAZINE**

2,783,570 A 3/1957 Kunz  
3,030,724 A \* 4/1962 Curran ..... F41A 9/84  
42/88

(71) Applicant: **Battenfeld Technologies, Inc.**,  
Columbia, MO (US)

3,099,958 A 8/1963 Daubenspeck et al.  
(Continued)

(72) Inventors: **Dennis W. Cauley, Jr.**, Booneville, MO  
(US); **Michael Pochlman**, Columbia,  
MO (US); **Adam J. Birk**, Hallsville,  
MO (US); **James Gianladis**,  
Harrisburg, MO (US); **Matthew  
Kinamore**, Columbia, MO (US)

FOREIGN PATENT DOCUMENTS

EP 0205661 A2 12/1986  
GB 379179 8/1932

(Continued)

(73) Assignee: **Battenfeld Technologies, Inc.**,  
Columbia, MO (US)

OTHER PUBLICATIONS

Amazon.com: ProMag RD USGI Magazine Loader, Black Polymer,  
<http://www.amazon.com/ProMag-Magazine-Loader-Black-Polymer/dp/B002IWRFLK>, 2 pages, [internet accessed Jul. 15, 2014].

(Continued)

(\*\*) Term: **14 Years**

*Primary Examiner* — Michael A Pratt

(21) Appl. No.: **29/514,631**

(74) *Attorney, Agent, or Firm* — Senniger Powers LLP

(22) Filed: **Jan. 14, 2015**

(51) **LOC (10) Cl.** ..... **22-01**

(52) **U.S. Cl.**  
USPC ..... **D22/108**

(57) **CLAIM**

The ornamental design for a loader for a firearm magazine,  
as shown and described.

(58) **Field of Classification Search**  
USPC ..... D22/108, 115  
CPC ..... F41A 9/83; F41A 9/82  
See application file for complete search history.

**DESCRIPTION**

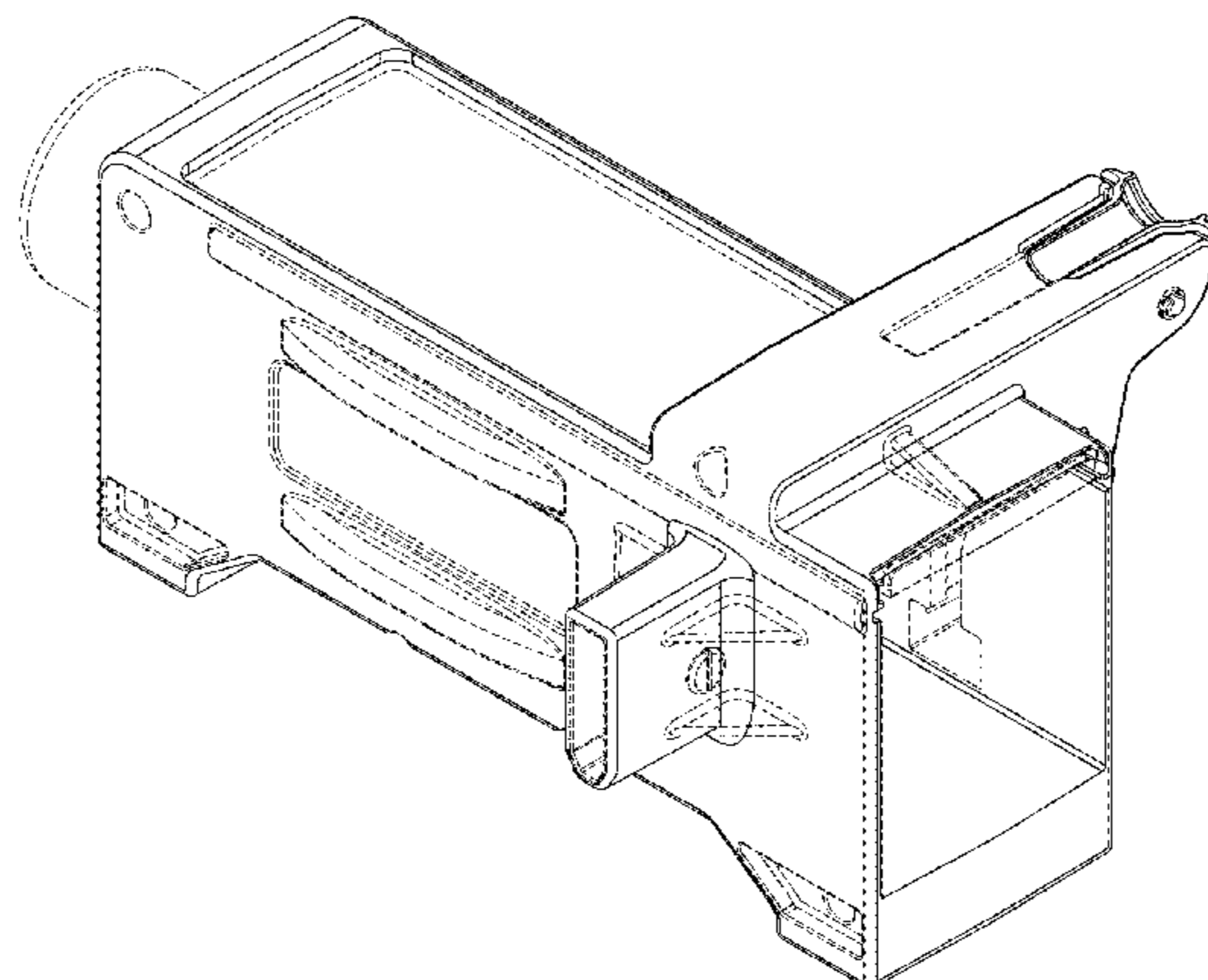
(56) **References Cited**

U.S. PATENT DOCUMENTS

452,447 A 5/1891 Bruce  
1,178,785 A 4/1916 Debuchy  
1,786,537 A 12/1930 Holek  
1,840,477 A 1/1932 Von Frommer  
2,014,177 A \* 9/1935 Herlach et al. .... F41A 9/67  
42/50  
2,191,130 A 2/1940 Ludwig  
2,345,593 A 4/1944 Garand  
2,487,040 A 11/1949 Bilideau  
2,526,195 A \* 10/1950 Brownsey ..... F42B 39/26  
206/3  
2,542,842 A \* 2/1951 Saunders ..... A47F 1/06  
206/3

FIG. 1 is a front perspective of a first embodiment of a loader for a firearm magazine of our new design;  
FIG. 2 is a front elevation of the loader for a firearm magazine;  
FIG. 3 is a top view of the loader for a firearm magazine;  
FIG. 4 is a right side elevation of the loader for a firearm magazine;  
FIG. 5 is a rear elevation of the loader for a firearm magazine;  
FIG. 6 is a bottom view of the loader for a firearm magazine;  
and,  
FIG. 7 is a left side elevation of the loader for a firearm magazine. Features forming no part of the claimed design are illustrated in broken lines.

**1 Claim, 7 Drawing Sheets**



(56)

References Cited

U.S. PATENT DOCUMENTS

3,292,293 A \* 12/1966 Chiasera ..... B65D 83/04  
222/267

4,506,588 A 3/1985 Kazanjy

4,538,371 A 9/1985 Howard

4,574,511 A 3/1986 Csonger

4,706,402 A 11/1987 Csonger

4,707,941 A 11/1987 Eastman

4,726,296 A 2/1988 Leshner et al.

4,739,572 A \* 4/1988 Brandenburg ..... F41A 9/83  
42/87

4,879,829 A \* 11/1989 Miller ..... F41A 9/83  
42/87

4,939,862 A 7/1990 Brandenburg

4,949,495 A 8/1990 Mari

4,970,820 A 11/1990 Miller et al.

5,301,449 A 4/1994 Jackson

5,319,872 A 6/1994 Bammate

5,402,594 A 4/1995 Switzer

5,563,365 A 10/1996 Dineen et al.

5,669,171 A 9/1997 Sally

6,754,987 B1 6/2004 Cheng et al.

6,810,616 B2 \* 11/2004 Tal ..... F41A 9/83  
42/87

7,059,077 B2 \* 6/2006 Tal ..... F41A 9/83  
42/88

7,503,138 B2 \* 3/2009 Tal ..... F41A 9/83  
42/50

7,637,048 B2 \* 12/2009 Tal ..... F41A 9/83  
42/87

7,805,874 B2 \* 10/2010 Tal ..... F41A 9/84  
42/87

7,866,080 B2 1/2011 Tucker

8,453,366 B2 6/2013 Gray

8,484,874 B2 7/2013 Kim

8,650,792 B1 2/2014 Overmars

D715,888 S 10/2014 Padgett

8,915,007 B1 12/2014 Williams

8,931,199 B1 1/2015 Cauley, Jr. et al.

9,003,687 B2 4/2015 Cauley, Jr. et al.

2004/0020096 A1 \* 2/2004 Tal ..... F41A 9/83  
42/87

2004/0159036 A1 8/2004 Newman

2007/0017140 A1 1/2007 Pikielny

2007/0107291 A1 \* 5/2007 Tal ..... F41A 9/83  
42/87

2008/0184608 A1 \* 8/2008 Tal ..... F41A 9/83  
42/87

2009/0044440 A1 \* 2/2009 Tal ..... F41A 9/84  
42/87

2012/0192477 A1 8/2012 Kim

2012/0222343 A1 9/2012 Kim

2013/0067788 A1 3/2013 Gray

2013/0232843 A1 9/2013 Bajuelo

2014/0033592 A1 2/2014 Fiorucci

2014/0223792 A1 8/2014 Socivoi

2014/0298704 A1 10/2014 Niccum

2014/0317985 A1 10/2014 Cauley, Jr. et al.

2014/0373421 A1 12/2014 Hatch

2014/0373744 A1 12/2014 Padgett et al.

2015/0075053 A1 3/2015 Kim

2015/0219415 A1 8/2015 Cauley, Jr. et al.

FOREIGN PATENT DOCUMENTS

KR 102011011338 A 10/2011

WO 8503119 7/1985

OTHER PUBLICATIONS

McFadden Machine Company Incorporated Clip Loader, The Ultimate Clip Loader, <http://www.mcfaden.com/cliploader.html>, 3 pages, [internet accessed Jul. 15, 2014].

Youtube, 3pointi.com Box-to-Mag Loader, 3 screenshots of video, <https://www.youtube.com/watch?v=2m1rYDpiQlw>, 3 pages, video uploaded Jun. 21, 2011.

Three Point Innovation's Box-to-Mag AR-15 Speed Loader—The Firearm Blog, <http://www.thefirearmblog.com/blog/2011/06/30/three-point-innovations-box-to-mag-ar-15-speed-loader/>, 2 pages, posted Jun. 30, 2011.

Magazine Loader, 2 images, 1 page.

\* cited by examiner

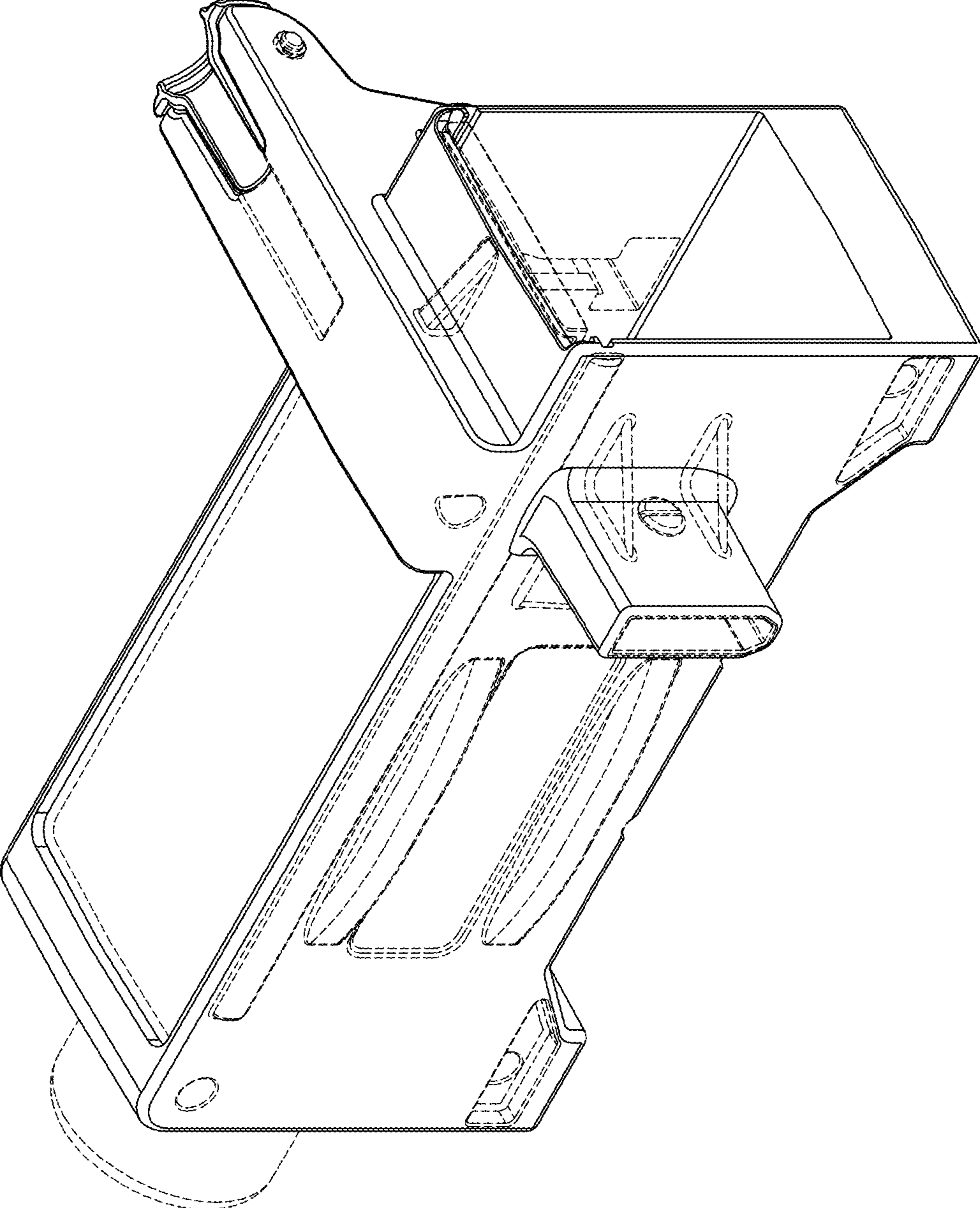


FIG. 1



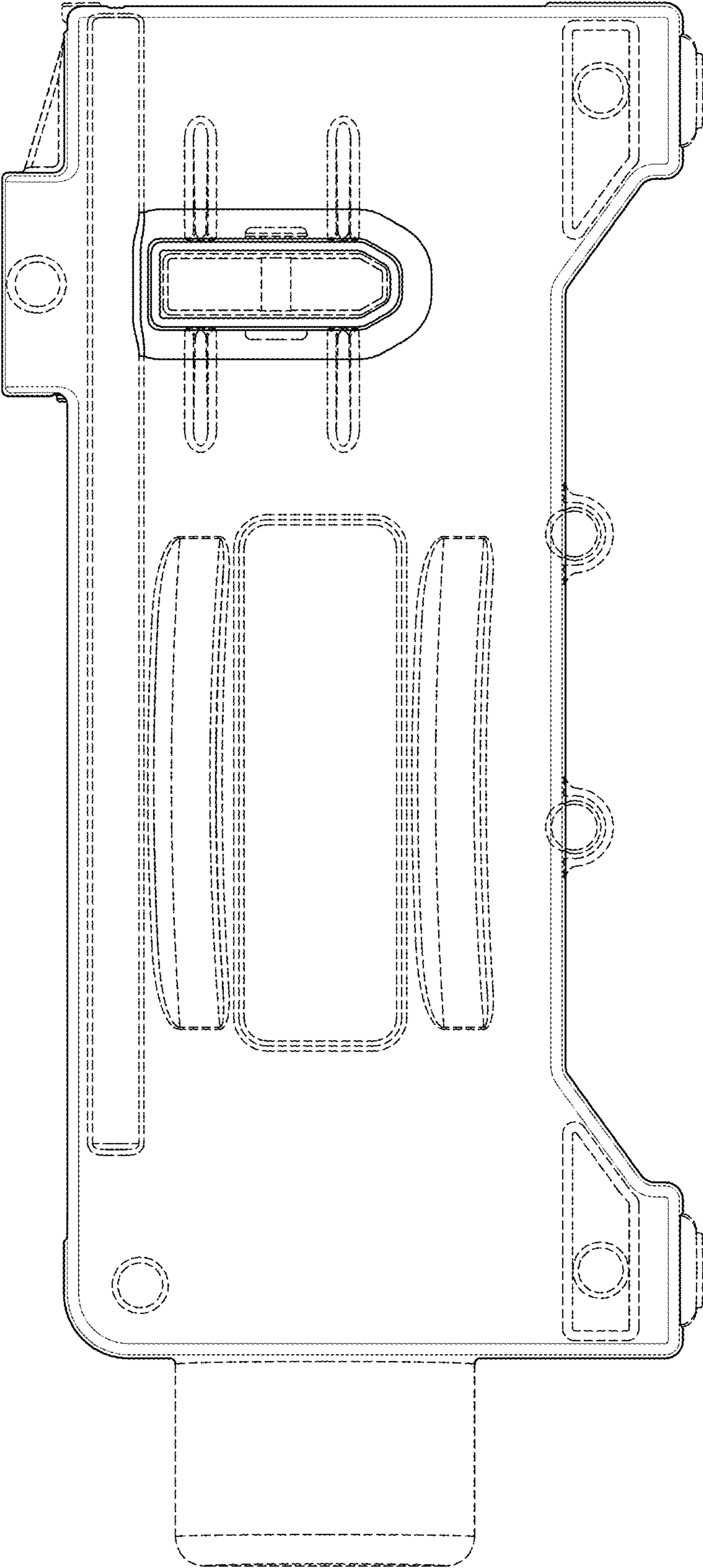


FIG. 2

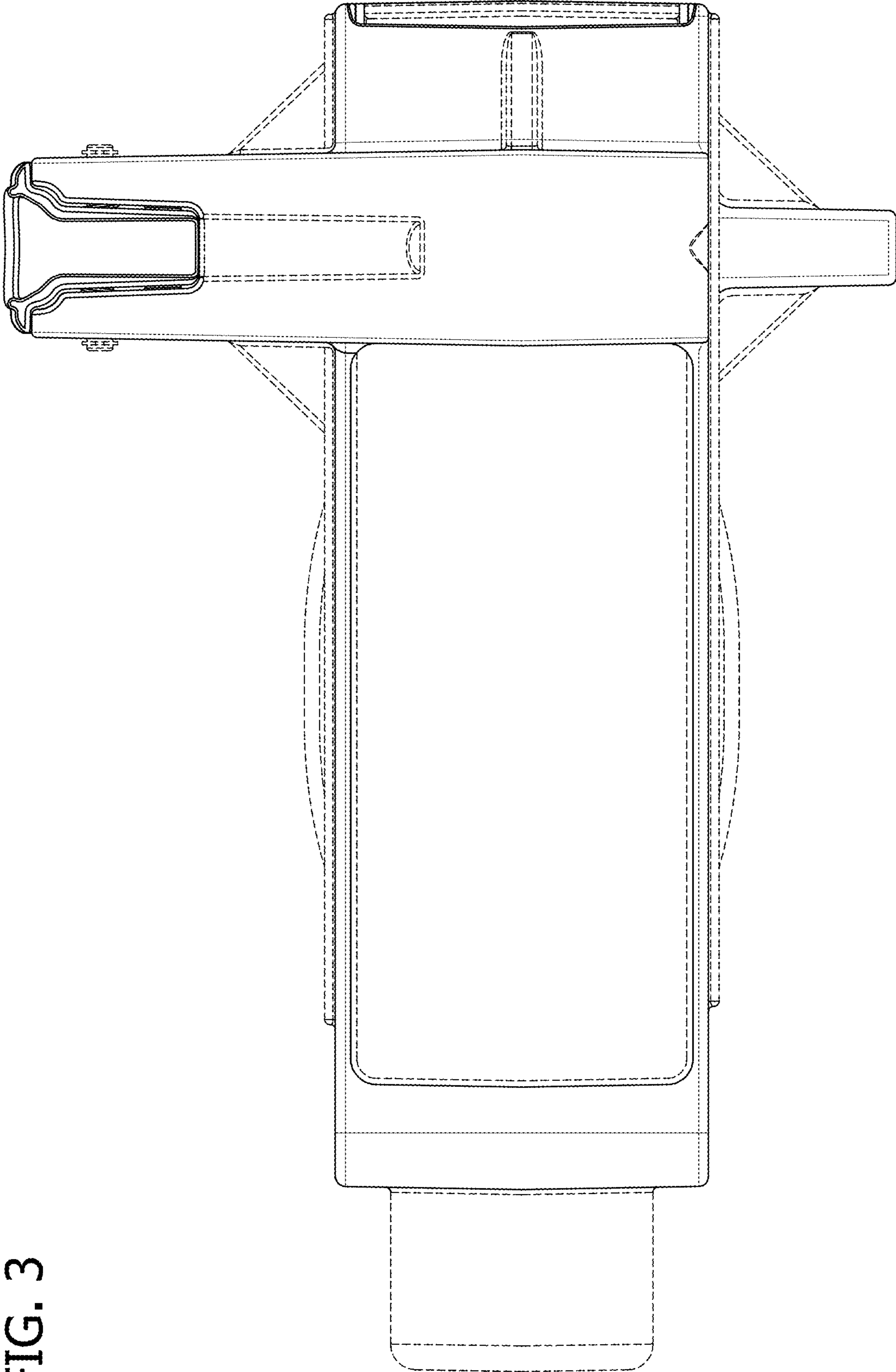
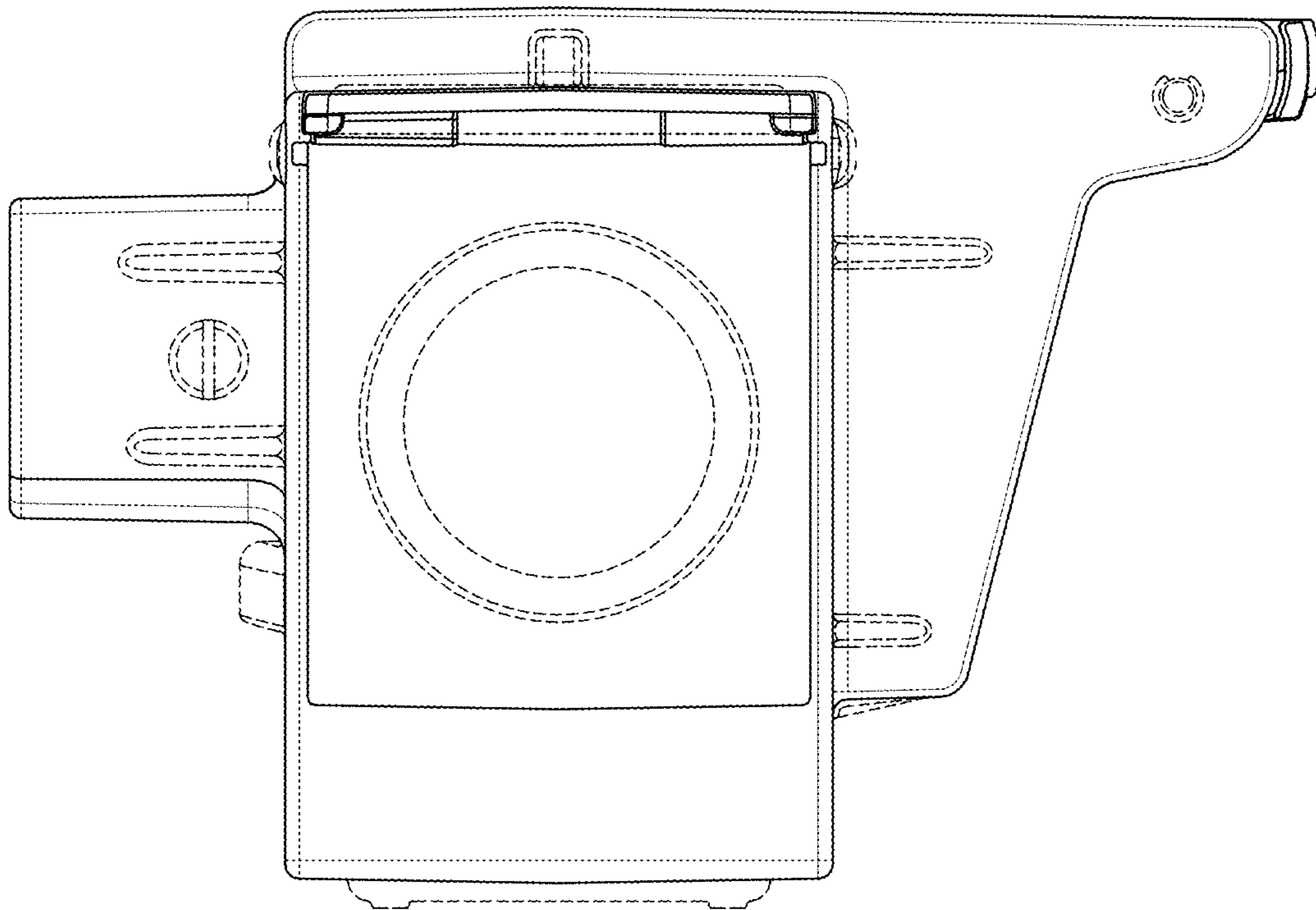


FIG. 3

FIG. 4



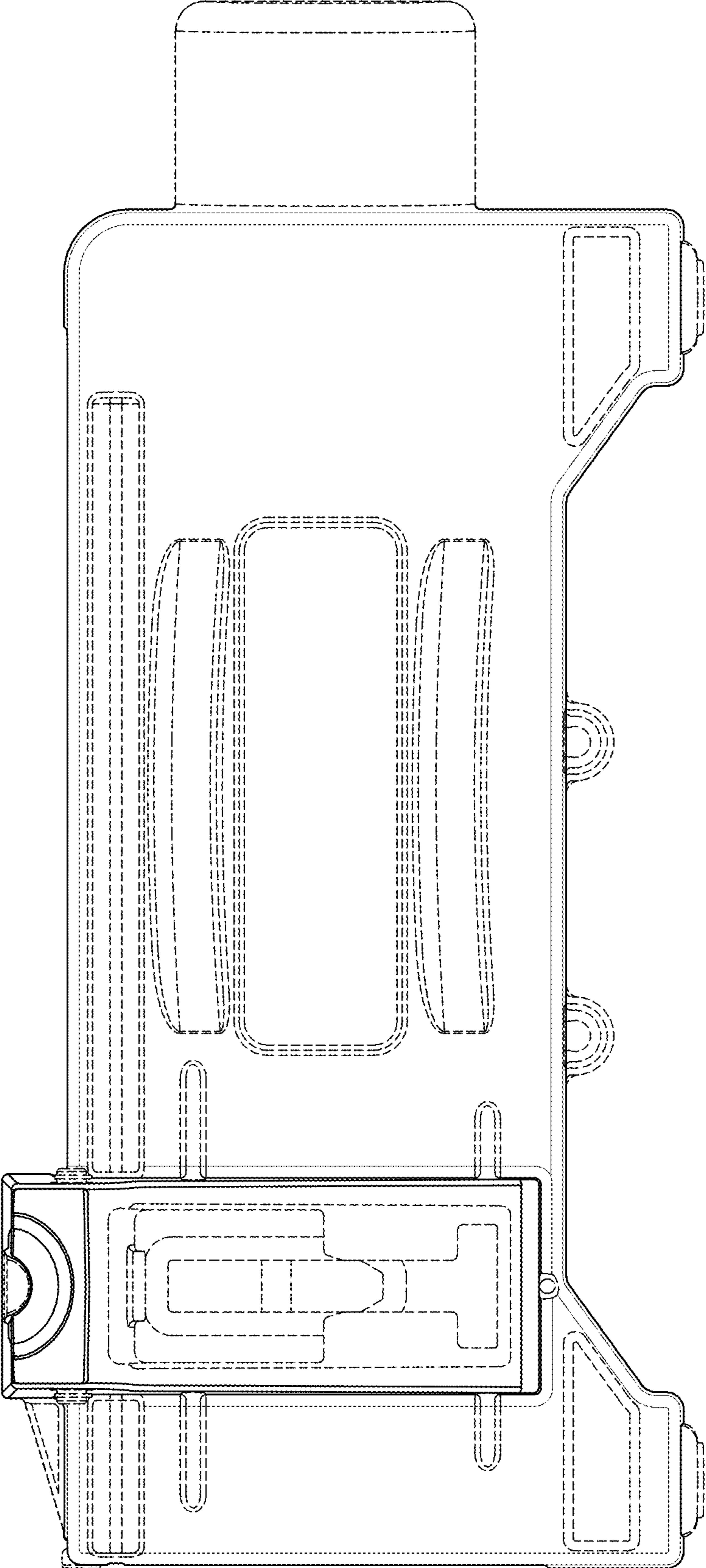


FIG. 5

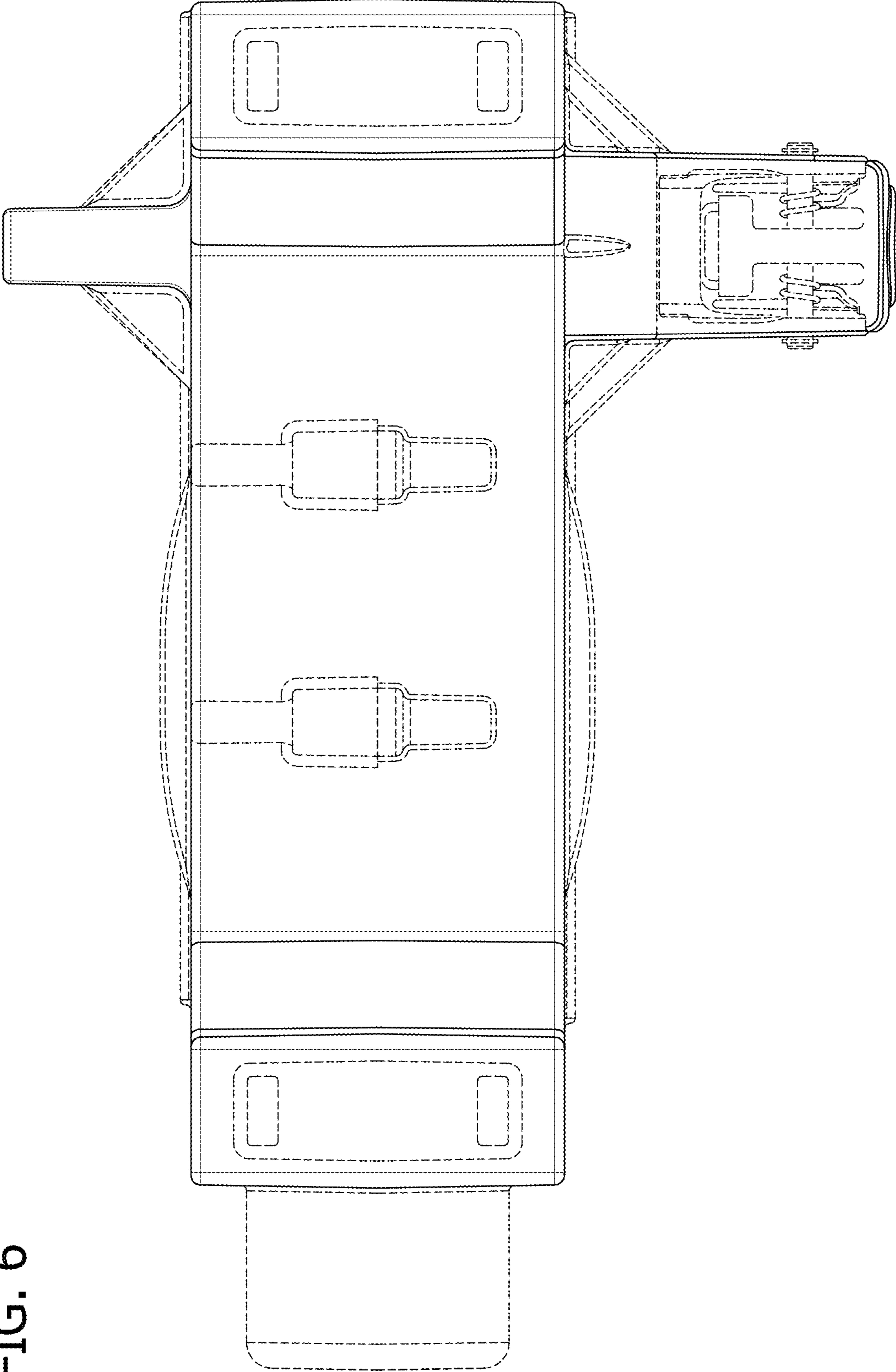


FIG. 6



FIG. 7

