



US00D770587S

(12) **United States Design Patent** (10) **Patent No.:** **US D770,587 S**
Roy (45) **Date of Patent:** **** Nov. 1, 2016**

(54) **GOLF TRAINING DEVICE**
(71) Applicant: **George J. Roy**, St. Augustine, FL (US)
(72) Inventor: **George J. Roy**, St. Augustine, FL (US)
(**) Term: **14 Years**
(21) Appl. No.: **29/523,137**
(22) Filed: **Apr. 7, 2015**
(51) **LOC (10) Cl.** **21-02**
(52) **U.S. Cl.**
USPC **D21/791**
(58) **Field of Classification Search**
USPC D21/789, 791
CPC A63B 69/3623-69/3641; A63B 69/3667
See application file for complete search history.

(56) **References Cited**
U.S. PATENT DOCUMENTS
3,580,584 A * 5/1971 Trosko A63B 69/3667
473/218
D233,052 S * 10/1974 Napier D21/791
D239,726 S * 4/1976 Wintering D10/65
D244,397 S * 5/1977 Graham D10/65
D244,398 S * 5/1977 Graham D21/717
D244,791 S * 6/1977 Sullivan, Jr. D10/65
D249,077 S * 8/1978 Friskel D19/59
D272,379 S * 1/1984 Cachola D21/791
D311,568 S * 10/1990 Jacques D21/791
D312,116 S * 11/1990 Spagnola D10/65
D347,457 S * 5/1994 Armstrong, III D21/791
5,437,448 A * 8/1995 Balson A63B 69/3623
473/257
D364,440 S * 11/1995 Balestrieri D21/791
D372,288 S * 7/1996 Deics D21/791
D397,754 S * 9/1998 Nguyen D21/791

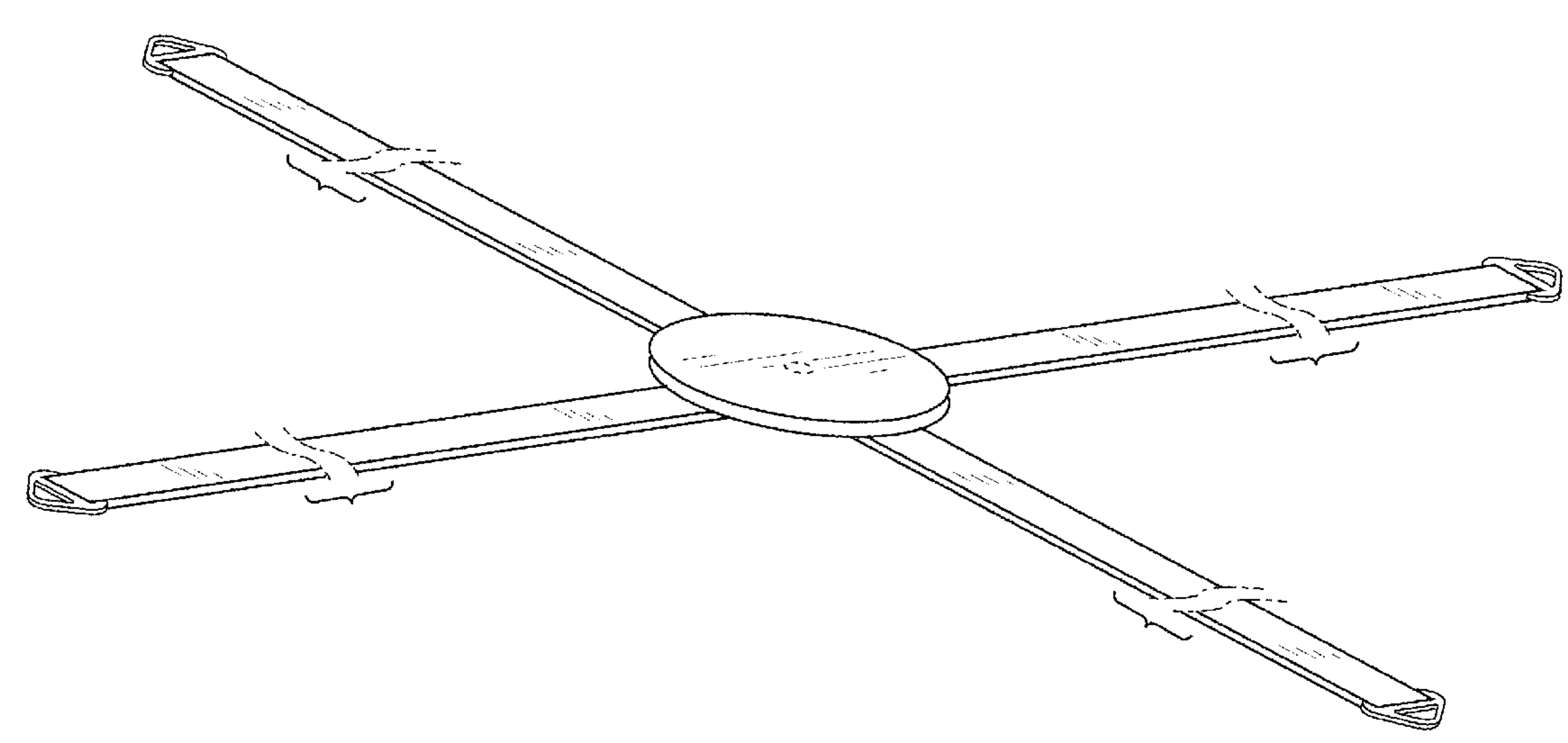
D402,730 S * 12/1998 Hicks D21/791
D411,276 S * 6/1999 Rosenfeld D21/718
D431,276 S * 9/2000 Warkmeistetr D21/791
D568,430 S * 5/2008 Van Der Hout D21/717
D568,431 S * 5/2008 Van Der Hout D21/717
D569,471 S * 5/2008 Wiersma D21/791
7,927,227 B2 * 4/2011 Radcliffe A63B 69/3623
473/218
D692,081 S * 10/2013 Stallman D21/791
D692,512 S * 10/2013 Fanfelle D21/791
D708,285 S * 7/2014 Miller D21/791
D716,394 S * 10/2014 Pfaff D21/791
D756,477 S * 5/2016 Chorne D21/791

* cited by examiner
Primary Examiner — Mitchell Siegel
(74) *Attorney, Agent, or Firm* — Millen, White, Zelano & Branigan, P.C.; William Nixon

(57) **CLAIM**
The ornamental design for a golf training device, as shown and described.

DESCRIPTION
FIG. 1 is a front perspective view of a golf training device according to the disclosed embodiments;
FIG. 2 is a top view thereof;
FIG. 3 is a bottom view thereof;
FIG. 4 is a side view thereof; and,
FIG. 5 is an exploded perspective view thereof.
The broken away symbols separated and bound by a bracket, in the drawings, indicate the appearance of any portion of the article between the break lines forms no part of the claimed design.
The broken line showing is included for the purpose of illustrating and forms no part of the claimed design.

1 Claim, 5 Drawing Sheets



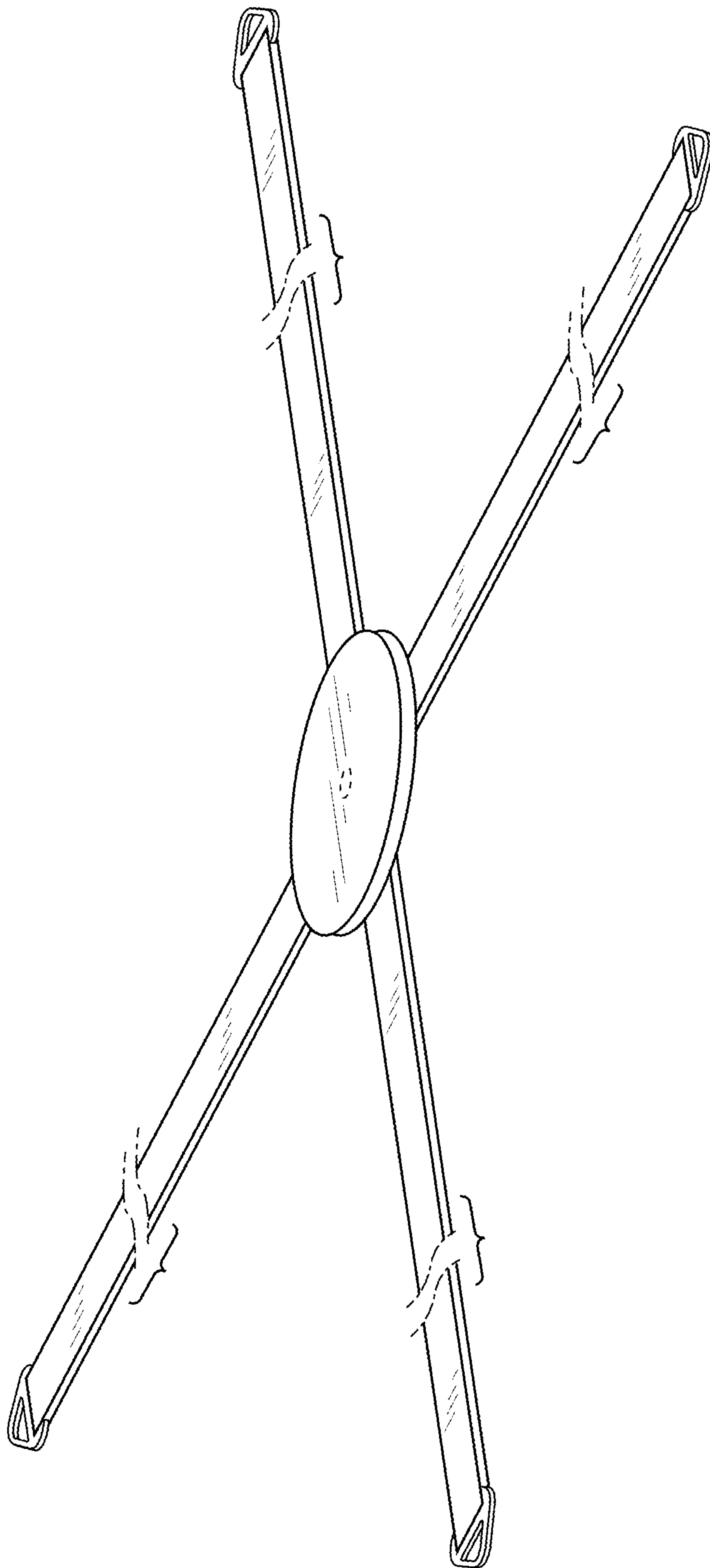


FIG.1

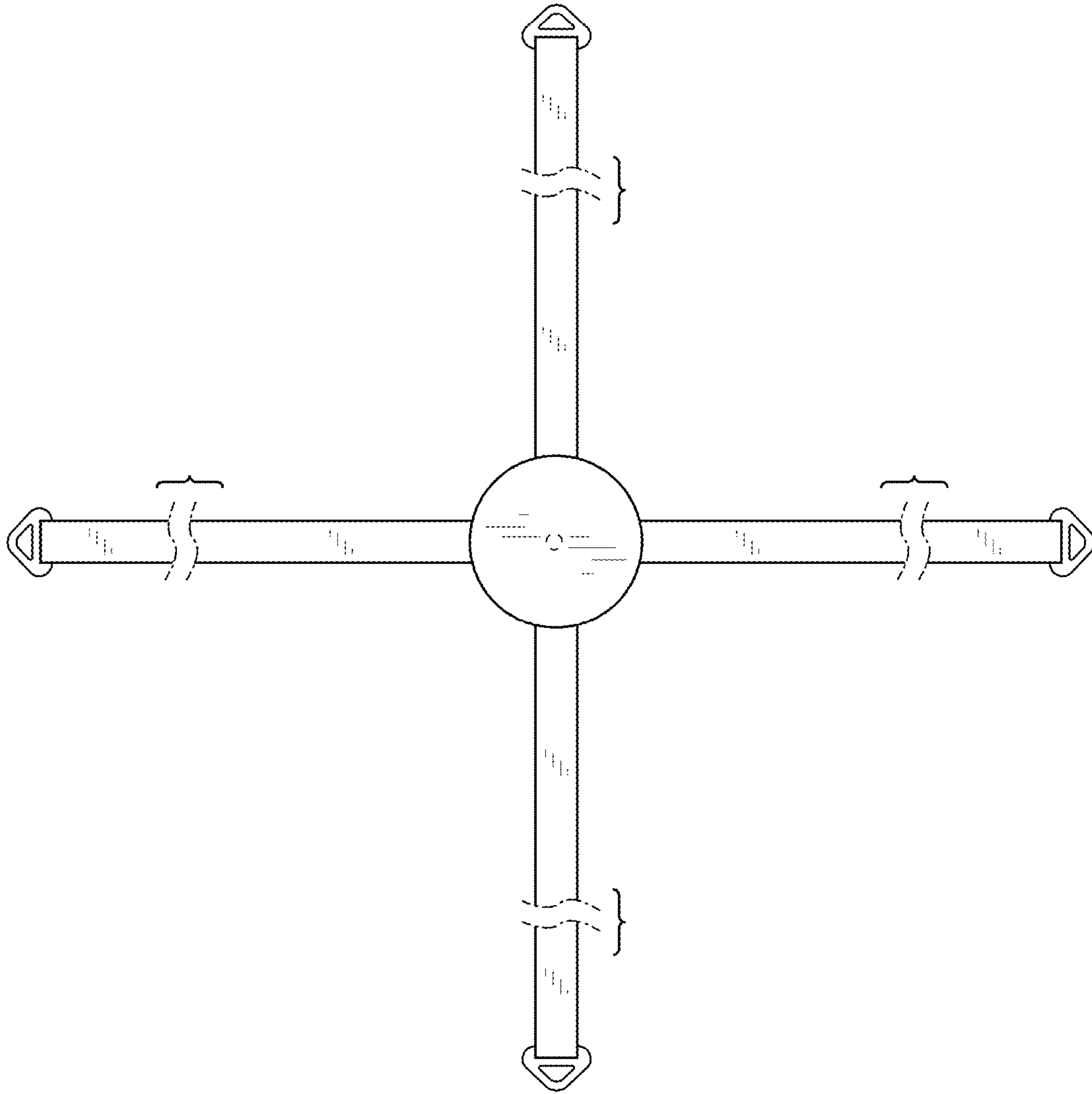


FIG.2

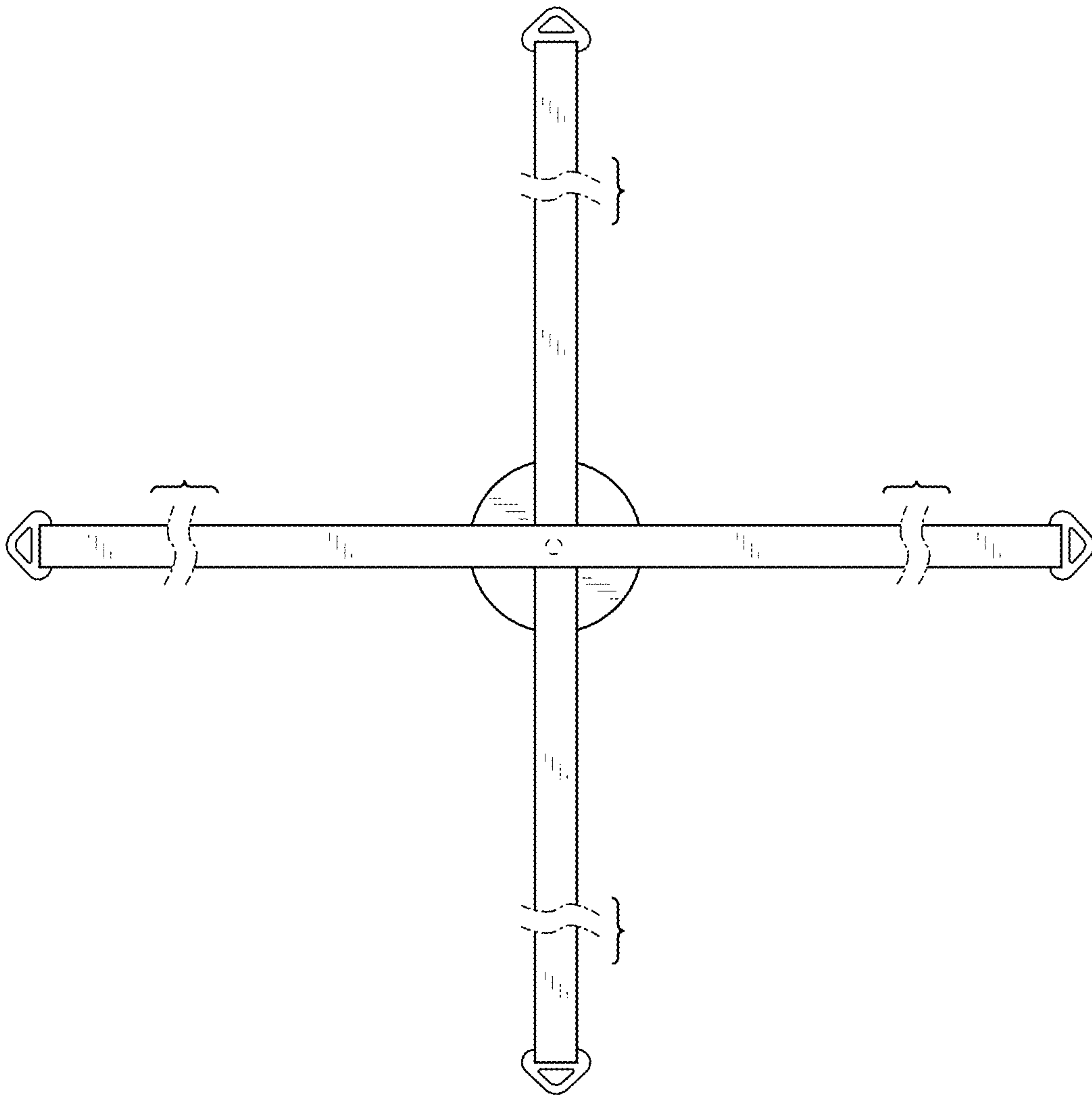


FIG.3

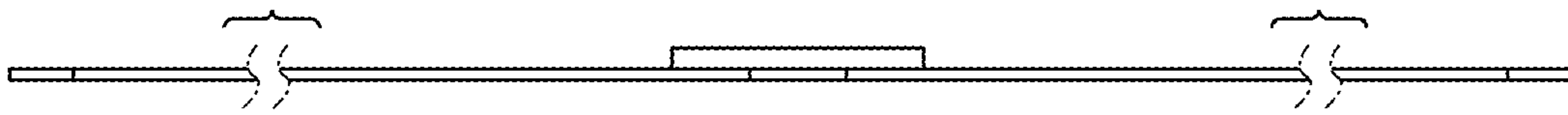


FIG.4

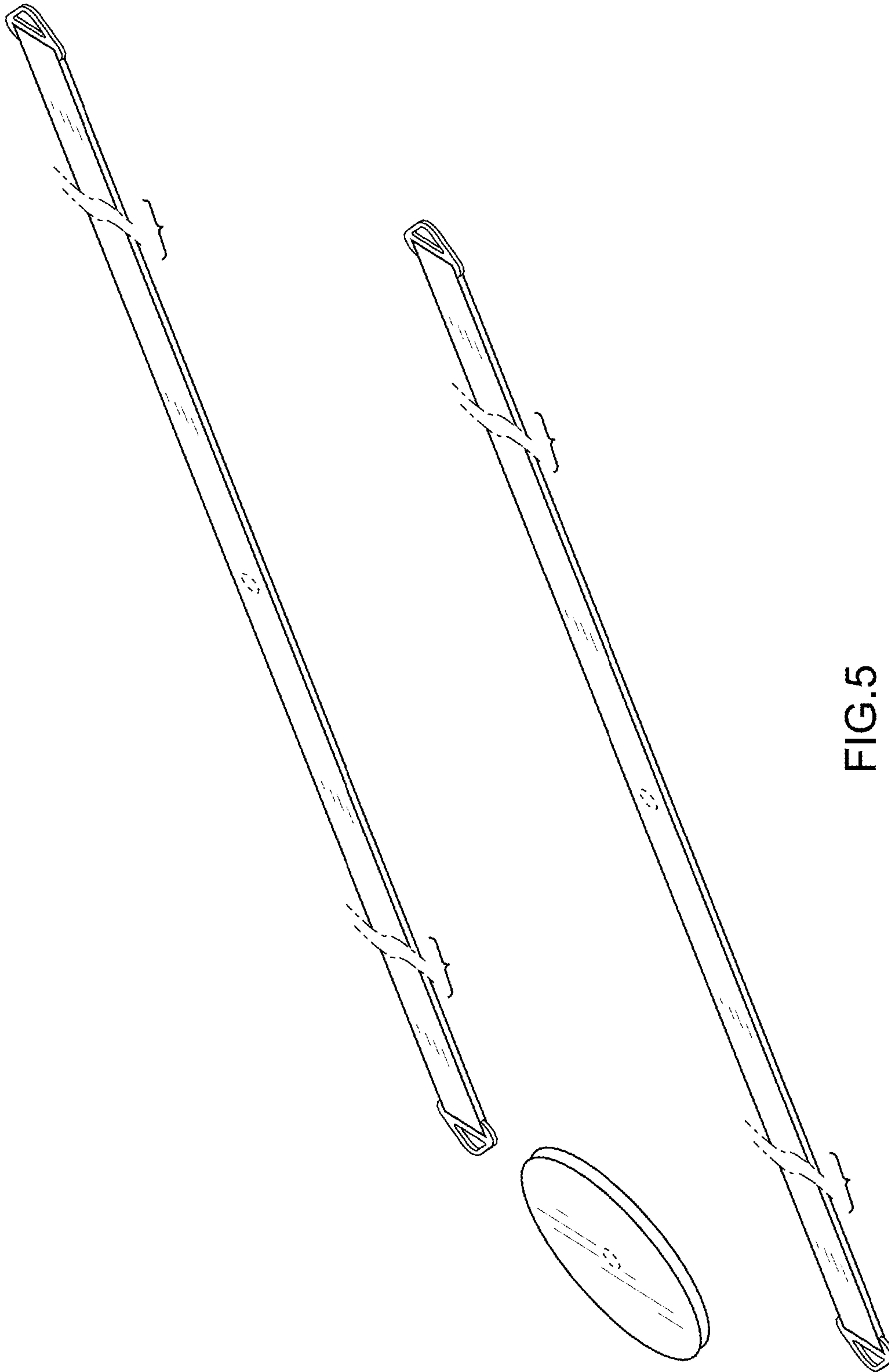


FIG. 5