



US00D770585S

(12) **United States Design Patent** (10) **Patent No.:** **US D770,585 S**  
**Desberg** (45) **Date of Patent:** **\*\* Nov. 1, 2016**

(54) **SKATEBOARD**  
(71) Applicant: **RAZOR USA LLC**, Cerritos, CA (US)  
(72) Inventor: **Ian Desberg**, Cerritos, CA (US)  
(73) Assignee: **Razor USA LLC**, Cerritos, CA (US)  
(\*\*) Term: **14 Years**

4,140,326 A 2/1979 Huber  
4,245,848 A 1/1981 Dudouyt  
4,295,656 A 10/1981 Moore  
4,411,442 A 10/1983 Rills  
4,915,403 A 4/1990 Wild  
4,921,513 A 5/1990 Parten  
4,930,794 A 6/1990 Chan  
4,955,626 A 9/1990 Smith  
5,098,087 A 3/1992 Matile  
5,160,155 A 11/1992 Barachet  
5,267,743 A \* 12/1993 Smisek ..... A63C 17/01  
280/79.11  
D345,406 S \* 3/1994 Shankland ..... D21/765

(21) Appl. No.: **29/525,837**

(22) Filed: **May 4, 2015**

(51) **LOC (10) Cl.** ..... **21-02**

(52) **U.S. Cl.**  
USPC ..... **D21/765**

(58) **Field of Classification Search**  
USPC ..... D21/419, 421, 423, 426, 760, 765, 766,  
D21/769, 771, 776, 803; 280/7.14, 11.115,  
280/11.19, 11.27, 11.28, 14.21, 87.01,  
280/87.021, 87.03, 87.041, 87.042, 607,  
280/608, 609, 809; 180/180, 181; 434/247,  
434/253, 258  
CPC .. A63C 17/01; A63C 17/011; A63C 17/012;  
A63C 17/014; A63C 17/015; A63C 17/02;  
A63C 17/26; A63C 5/003; A63B 69/0022;  
B60Q 1/326; B62K 3/001

See application file for complete search history.

(56) **References Cited**

**U.S. PATENT DOCUMENTS**

2,051,762 A 8/1936 Vincent  
3,399,906 A 9/1968 Portnoff  
3,982,766 A 9/1976 Budge  
4,060,253 A 11/1977 Oldendorf  
4,076,267 A 2/1978 Lipscomb  
4,082,306 A 4/1978 Sheldon  
4,092,033 A 5/1978 Swain  
4,093,252 A 6/1978 Rue  
D250,492 S \* 12/1978 Kish ..... D21/765

(Continued)

**FOREIGN PATENT DOCUMENTS**

GB 2318519 4/1998  
GB 2464676 4/2010

(Continued)

*Primary Examiner* — Cynthia M Chin

(74) *Attorney, Agent, or Firm* — Knobbe, Martens, Olson & Bear LLP

(57) **CLAIM**

The ornamental design for a skateboard, as shown and described.

**DESCRIPTION**

FIG. 1 is a front perspective view of a skateboard, which embodies my design.

FIG. 2 is a front view of the skateboard of FIG. 1.

FIG. 3 is a rear view of the skateboard of FIG. 1.

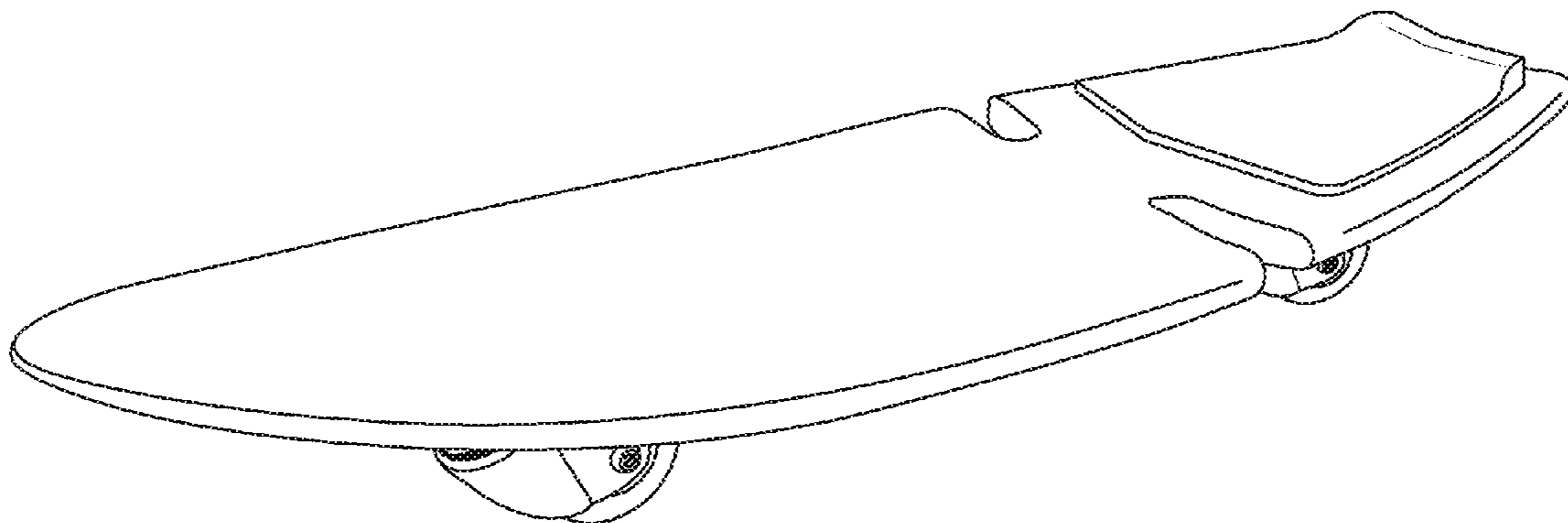
FIG. 4 is a right side view of the skateboard of FIG. 1. The left side view is a mirror image of the right side view.

FIG. 5 is a top view of the skateboard of FIG. 1; and,

FIG. 6 is a bottom view of the skateboard of FIG. 1.

The broken lines in FIG. 6 represent portions of the skateboard that form no part of the claim.

**1 Claim, 5 Drawing Sheets**



(56)

References Cited

U.S. PATENT DOCUMENTS

5,419,570 A 5/1995 Bollotte  
 5,458,351 A 10/1995 Yu  
 5,505,474 A 4/1996 Yeh  
 5,540,455 A 7/1996 Chambers  
 5,549,331 A 8/1996 Yun  
 5,566,956 A 10/1996 Wang  
 5,601,299 A 2/1997 Yun  
 5,622,759 A 4/1997 Fuster  
 5,707,068 A 1/1998 Bradfield  
 5,826,895 A 10/1998 Bradfield  
 5,853,182 A 12/1998 Finkle  
 5,855,385 A 1/1999 Hambusch  
 5,893,425 A 4/1999 Finkle  
 D413,954 S \* 9/1999 Gerlach ..... D21/765  
 5,984,328 A 11/1999 Tipton  
 6,059,303 A 5/2000 Bradfield  
 6,102,415 A 8/2000 Stewardson  
 6,193,249 B1 2/2001 Buscaglia  
 6,254,113 B1 7/2001 Dornan  
 6,494,467 B1 12/2002 Menges  
 6,502,850 B1 1/2003 Schaller et al.  
 6,669,215 B2 12/2003 Laporte  
 6,910,698 B2 6/2005 Turner et al.  
 6,979,006 B2 12/2005 Pierron  
 7,044,486 B2 5/2006 Wright  
 7,083,178 B2 8/2006 Potter  
 7,195,259 B2 3/2007 Gang  
 7,198,280 B2 4/2007 Hara  
 D564,613 S \* 3/2008 Hamborg ..... D21/765  
 7,338,056 B2 3/2008 Chen et al.  
 7,367,572 B2 5/2008 Jiang  
 D614,714 S \* 4/2010 Walworth ..... D21/760  
 8,414,000 B2 4/2013 Chen  
 D698,881 S \* 2/2014 Hamborg ..... D21/765

D699,803 S \* 2/2014 Yamabe ..... D21/765  
 D705,372 S \* 5/2014 Harris ..... D21/765  
 D728,048 S \* 4/2015 Stover ..... D21/765  
 2002/0043774 A1 4/2002 Chou  
 2002/0149166 A1 10/2002 Potter  
 2003/0124923 A1 \* 7/2003 Mercer ..... B63B 35/812  
 441/74  
 2003/0155733 A1 8/2003 Tan et al.  
 2004/0262872 A1 12/2004 Kang  
 2006/0049595 A1 3/2006 Crigler  
 2006/0055137 A1 3/2006 Jiang  
 2006/0163830 A1 7/2006 Kwak  
 2007/0001414 A1 1/2007 Kang  
 2007/0272465 A1 11/2007 Su  
 2007/0273118 A1 11/2007 Conrad  
 2011/0037238 A1 \* 2/2011 Devine ..... A63C 17/012  
 280/87.042  
 2013/0001910 A1 \* 1/2013 Hsu ..... A63C 17/014  
 280/87.042  
 2016/0144267 A1 5/2016 Huang

FOREIGN PATENT DOCUMENTS

JP H01-117385 U 8/1989  
 JP 2001-029663 2/2001  
 KR 1020050060368 6/2005  
 KR 200410530 3/2006  
 SU 1405865 4/1986  
 WO WO 93/01870 A1 2/1993  
 WO WO 02/40116 5/2002  
 WO WO 2004/105901 A1 12/2004  
 WO WO 2006/022472 3/2006  
 WO WO 2007/102645 9/2007  
 WO WO 2007/117092 10/2007  
 WO WO 2009/036074 3/2009  
 WO 2016086066 A1 6/2016

\* cited by examiner

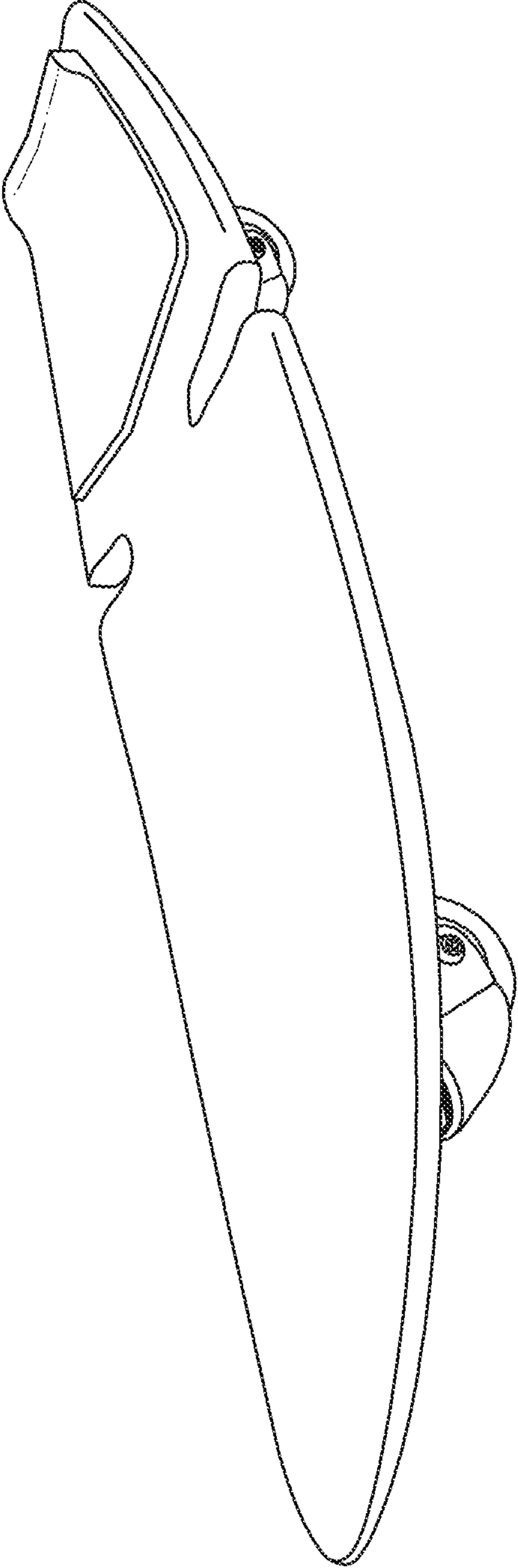
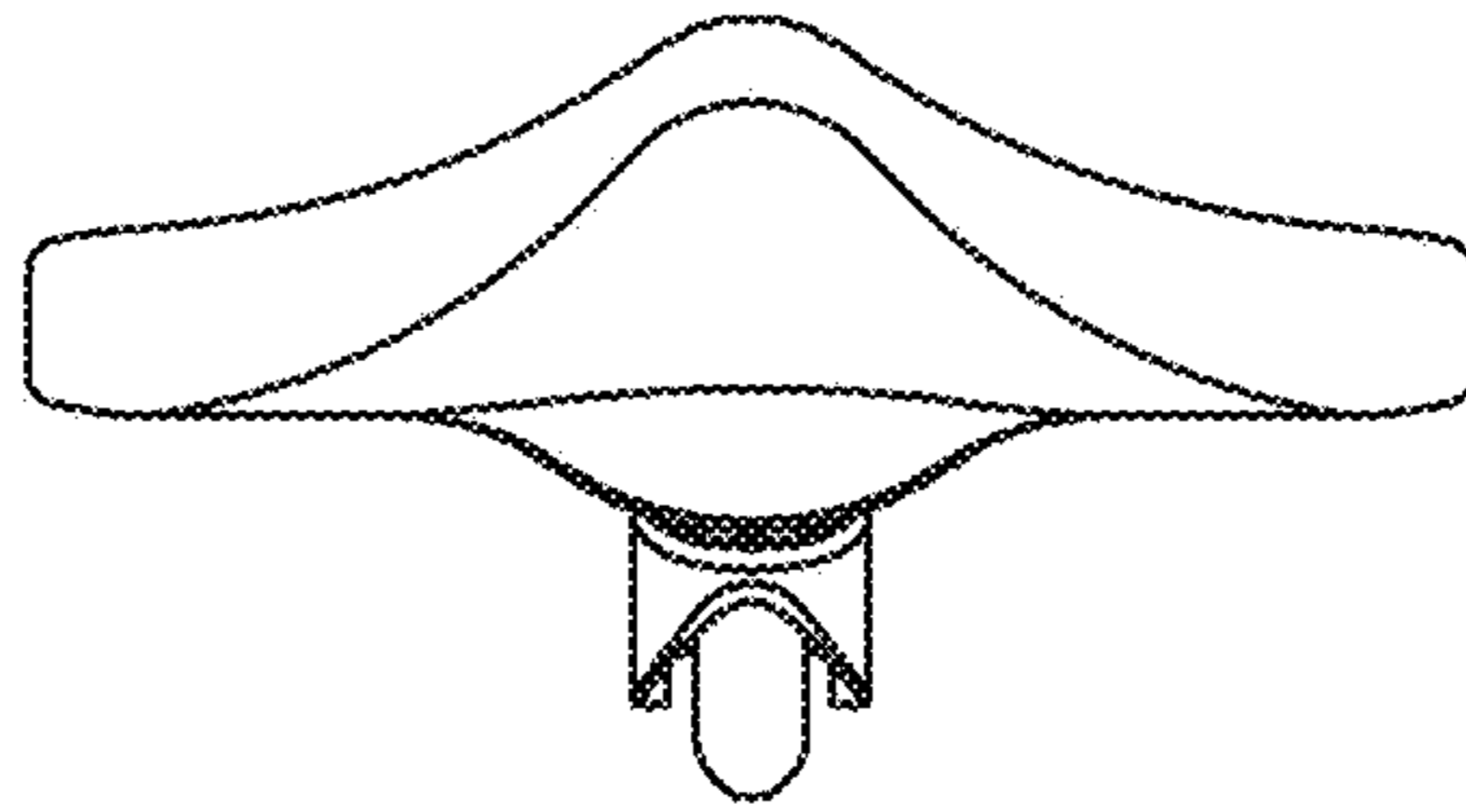
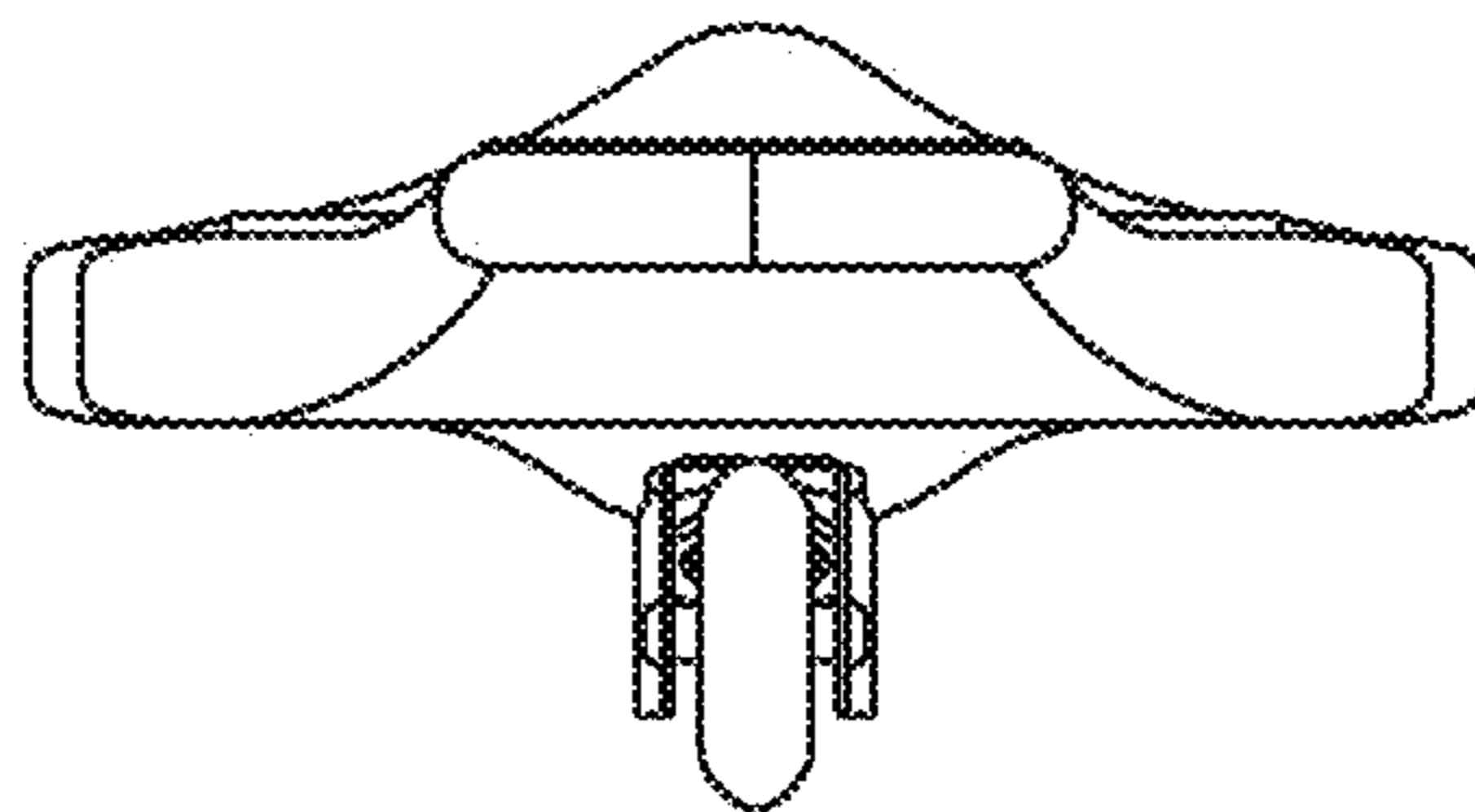


FIG. 1



*FIG. 2*



*FIG. 3*

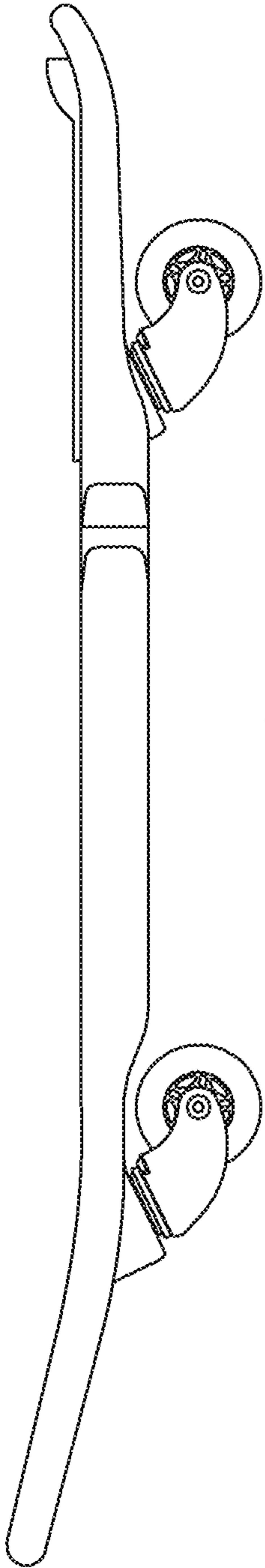


FIG. 4

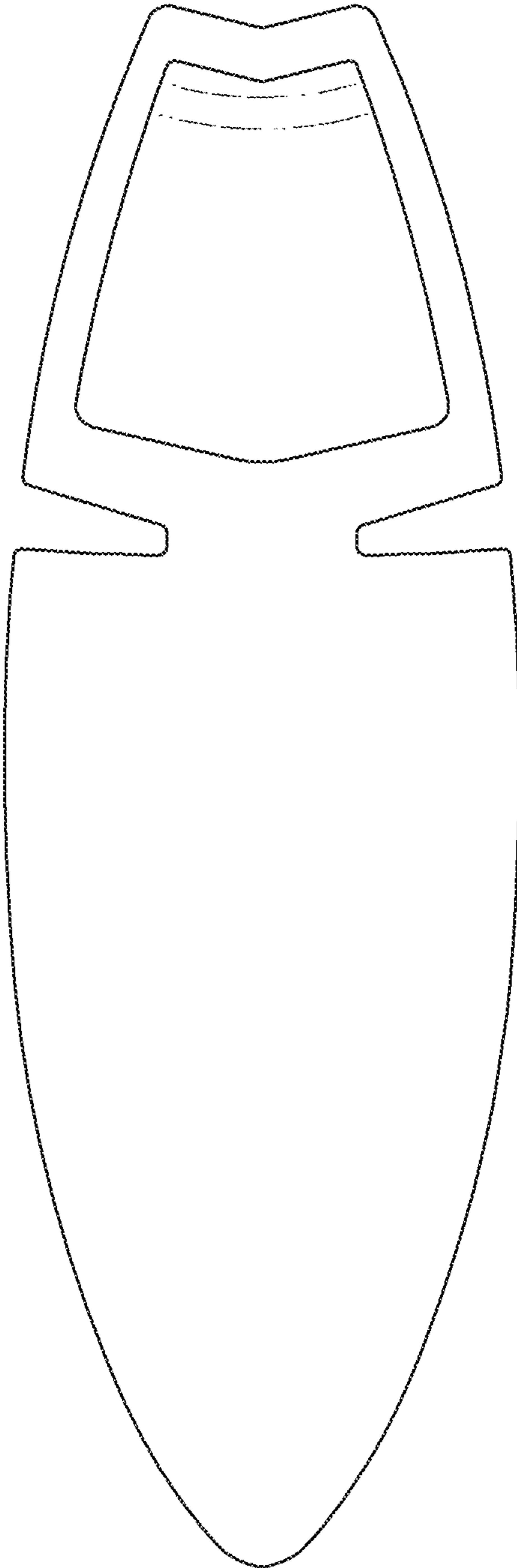


FIG. 5

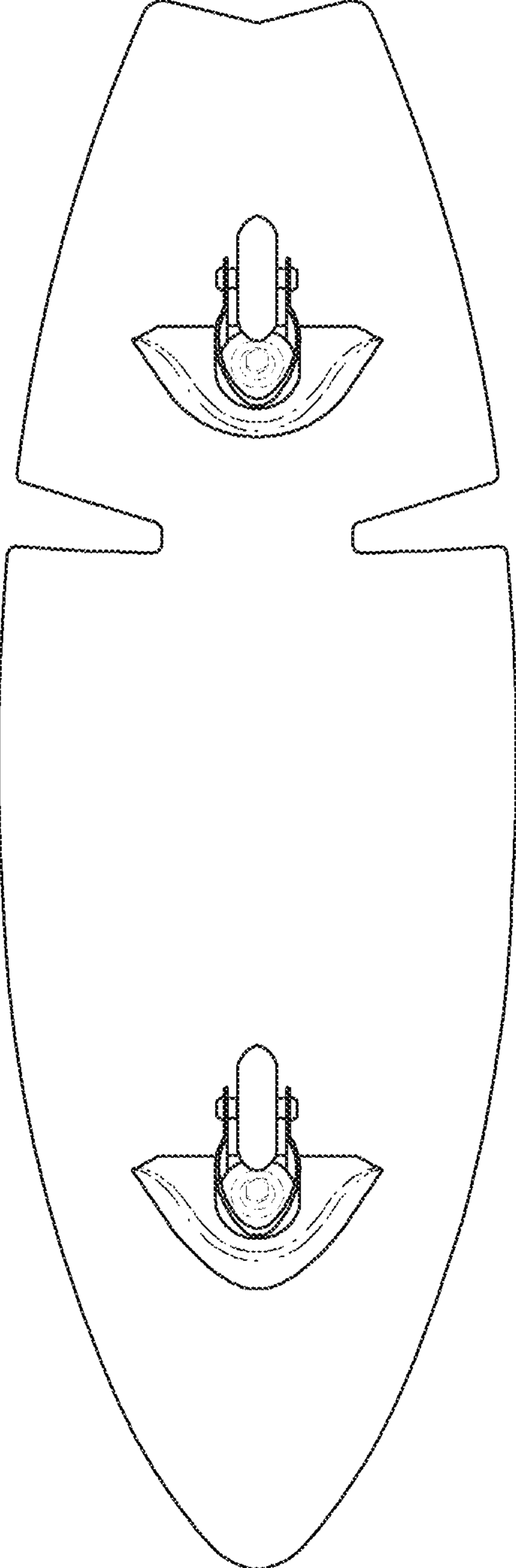


FIG. 6