



US00D770584S

(12) **United States Design Patent** (10) **Patent No.:** **US D770,584 S**
Sargent et al. (45) **Date of Patent:** **** Nov. 1, 2016**

(54) **GOLF CLUB HEAD**
(71) Applicant: **Taylor Made Golf Company, Inc.**,
Carlsbad, CA (US)
(72) Inventors: **Nathan T. Sargent**, Oceanside, CA
(US); **Joseph Reeve Nielson**, Vista, CA
(US); **Christopher John Harbert**,
Carlsbad, CA (US); **Todd P. Beach**,
Encinitas, CA (US); **Brian Bazzel**,
Carlsbad, CA (US); **Mark Vincent
Greaney**, Vista, CA (US); **Christian
Reber Wester**, San Diego, CA (US);
Craig Richard Slyfield, San Diego, CA
(US)
(73) Assignee: **TAYLOR MADE GOLF COMPANY,
INC.**, Carlsbad, CA (US)

(**) Term: **15 Years**
(21) Appl. No.: **29/534,382**

(22) Filed: **Jul. 28, 2015**
(51) **LOC (10) Cl.** **21-02**
(52) **U.S. Cl.**
USPC **D21/759**
(58) **Field of Classification Search**
USPC D21/752, 759
CPC .. A63B 53/04; A63B 53/0466; A63B 53/00;
A63B 53/0445; A63B 2053/0433; A63B
2053/0437; A63B 2053/0491; A63B 53/02
See application file for complete search history.

(56) **References Cited**
U.S. PATENT DOCUMENTS
D628,257 S * 11/2010 Albertsen D21/759
D630,278 S * 1/2011 Albertsen D21/759
D630,696 S * 1/2011 Albertsen D21/759
D631,119 S * 1/2011 Albertsen D21/759
D655,363 S * 3/2012 Vrska D21/759
8,235,844 B2 * 8/2012 Albertsen A63B 53/0466
473/345
D675,272 S * 1/2013 Greensmith D21/759

D686,679 S * 7/2013 Greensmith D21/759
D692,077 S * 10/2013 Greensmith D21/759
D697,152 S * 1/2014 Harbert D21/752
D708,280 S * 7/2014 Sargent D21/759
D709,571 S * 7/2014 Sargent D21/759
D709,572 S * 7/2014 Sargent D21/759
8,821,312 B2 9/2014 Burnett et al.
8,827,831 B2 9/2014 Burnett et al.
D714,869 S 10/2014 Turner et al.

(Continued)

FOREIGN PATENT DOCUMENTS

JP 3109501 U 3/2005
JP 2006-320493 A 11/2006

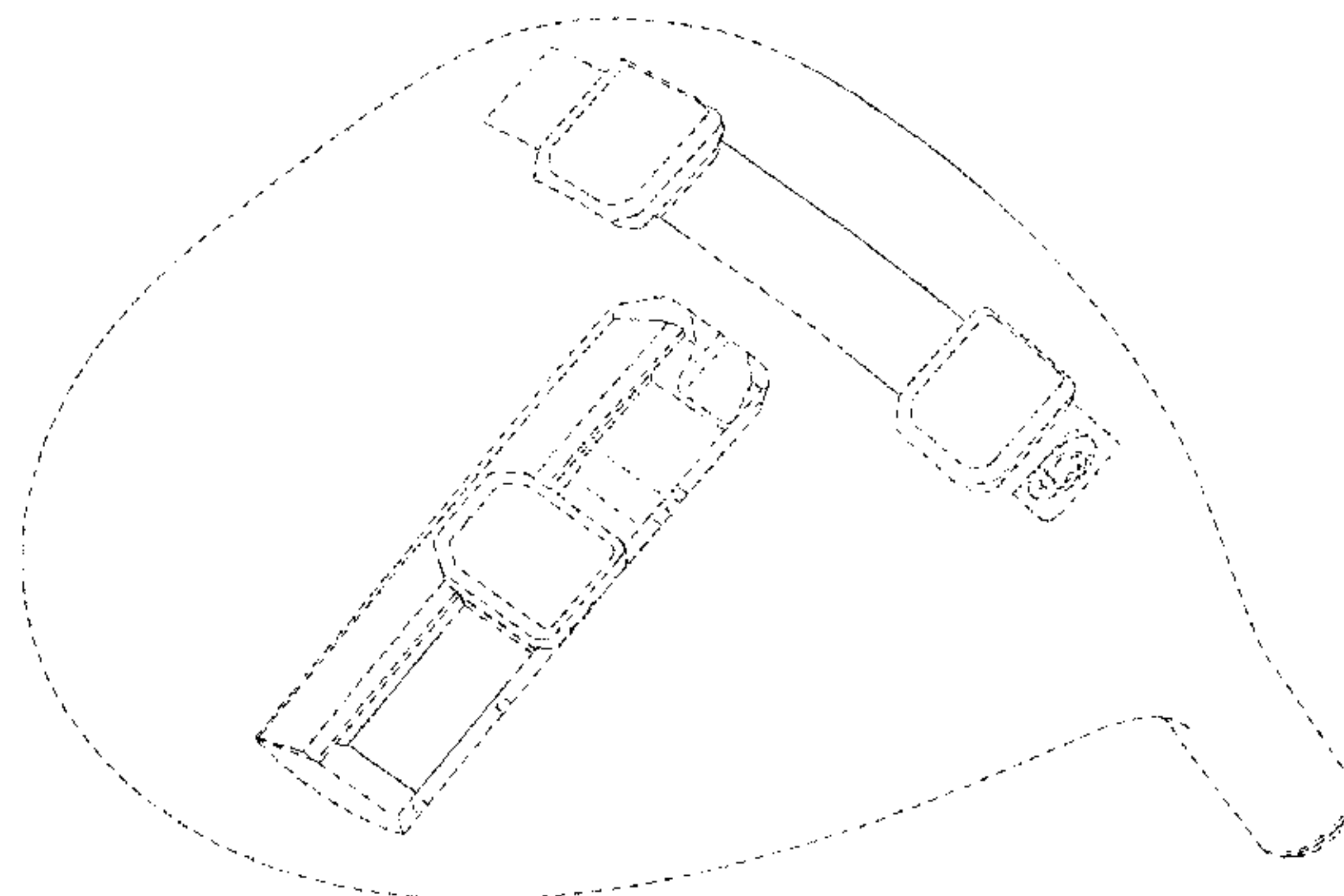
Primary Examiner — Mitchell Siegel
(74) *Attorney, Agent, or Firm* — Klarquist Sparkman,
LLP

(57) **CLAIM**
We claim the ornamental design for a golf club head, as
shown and described.

DESCRIPTION

FIG. 1 is a perspective view of a golf club head, as viewed
from the bottom and one side.
FIG. 2 is a front elevation view of the golf club head of FIG.
1.
FIG. 3 is a rear elevation view of the golf club head of FIG.
1.
FIG. 4 is a side elevation view of a toe side of the golf club
head of FIG. 1.
FIG. 5 is a side elevation view of an opposite heel side of the
golf club head of FIG. 1.
FIG. 6 is a top plan view of the golf club head of FIG. 1; and,
FIG. 7 is a bottom plan view of the golf club head of FIG.
1.
The dashed lines in the drawings are for purposes of
illustrating environmental structure as well as portions of the
design that form no part of the claimed design.

1 Claim, 5 Drawing Sheets



(56)

References Cited

U.S. PATENT DOCUMENTS

D714,891 S *	10/2014	Greensmith	D21/752	9,089,749 B2	7/2015	Burnett et al.
D714,892 S *	10/2014	Atwell	D21/752	9,168,428 B2	10/2015	Albertsen et al.
8,888,607 B2	11/2014	Harbert et al.		9,220,953 B2	12/2015	Beach et al.
D724,165 S	3/2015	Cardani et al.		2007/0049417 A1	3/2007	Shear
8,986,133 B2	3/2015	Bennett et al.		2014/0080622 A1	3/2014	Sargent et al.
9,089,747 B2	7/2015	Boyd et al.		2014/0080628 A1	3/2014	Sargent et al.
				2014/0080629 A1	3/2014	Sargent et al.
				2016/0059093 A1	3/2016	Nielson et al.

* cited by examiner

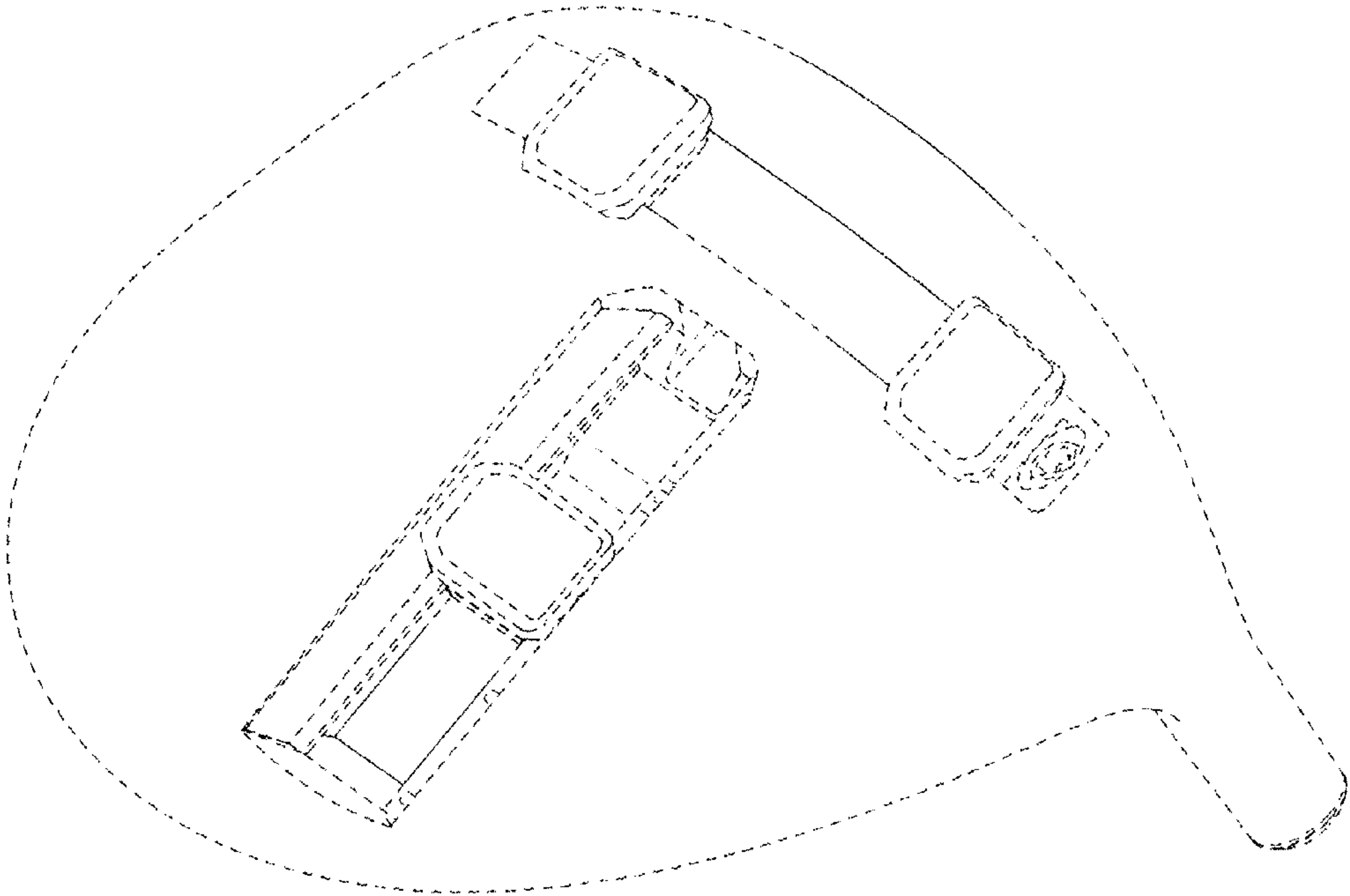


FIG. 1

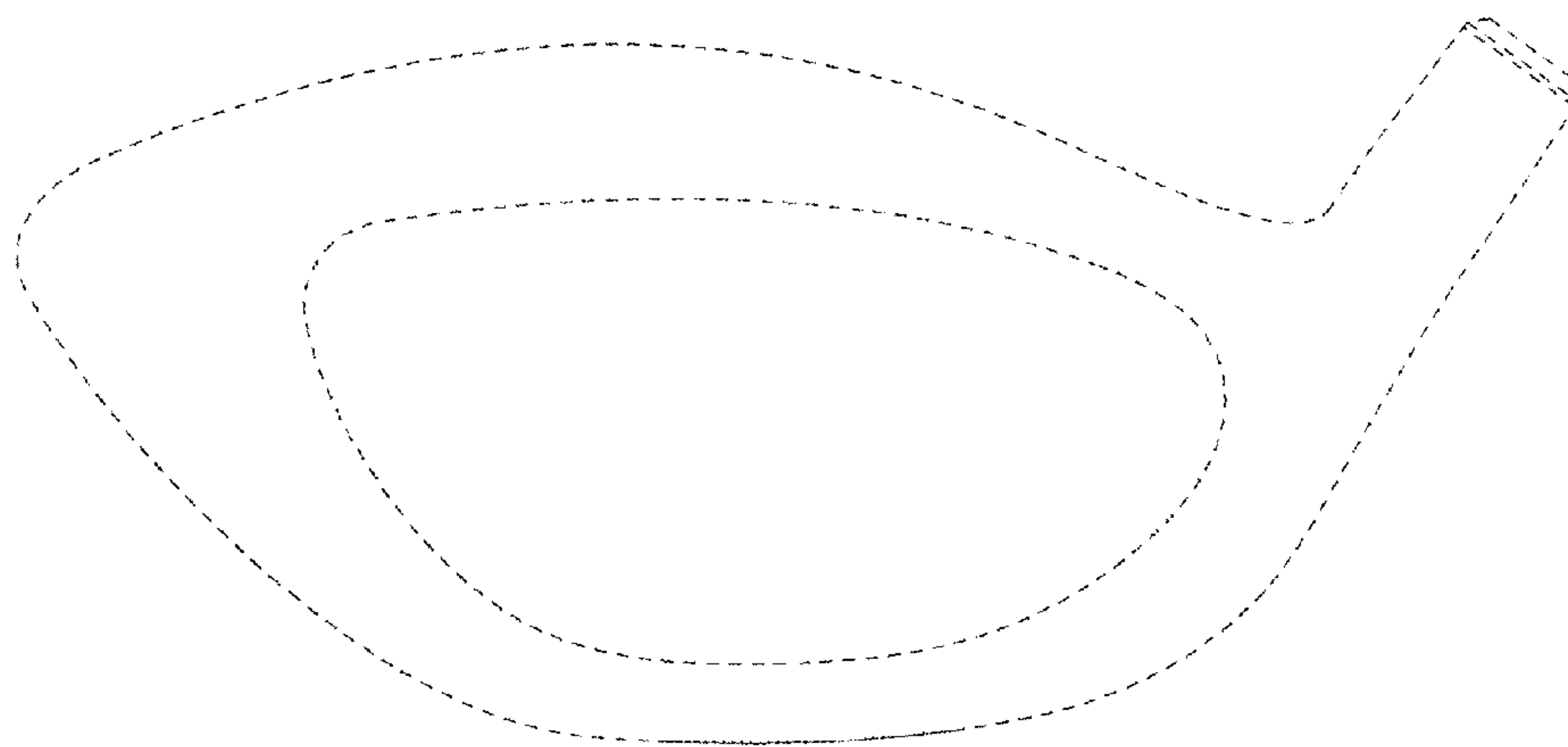


FIG. 2

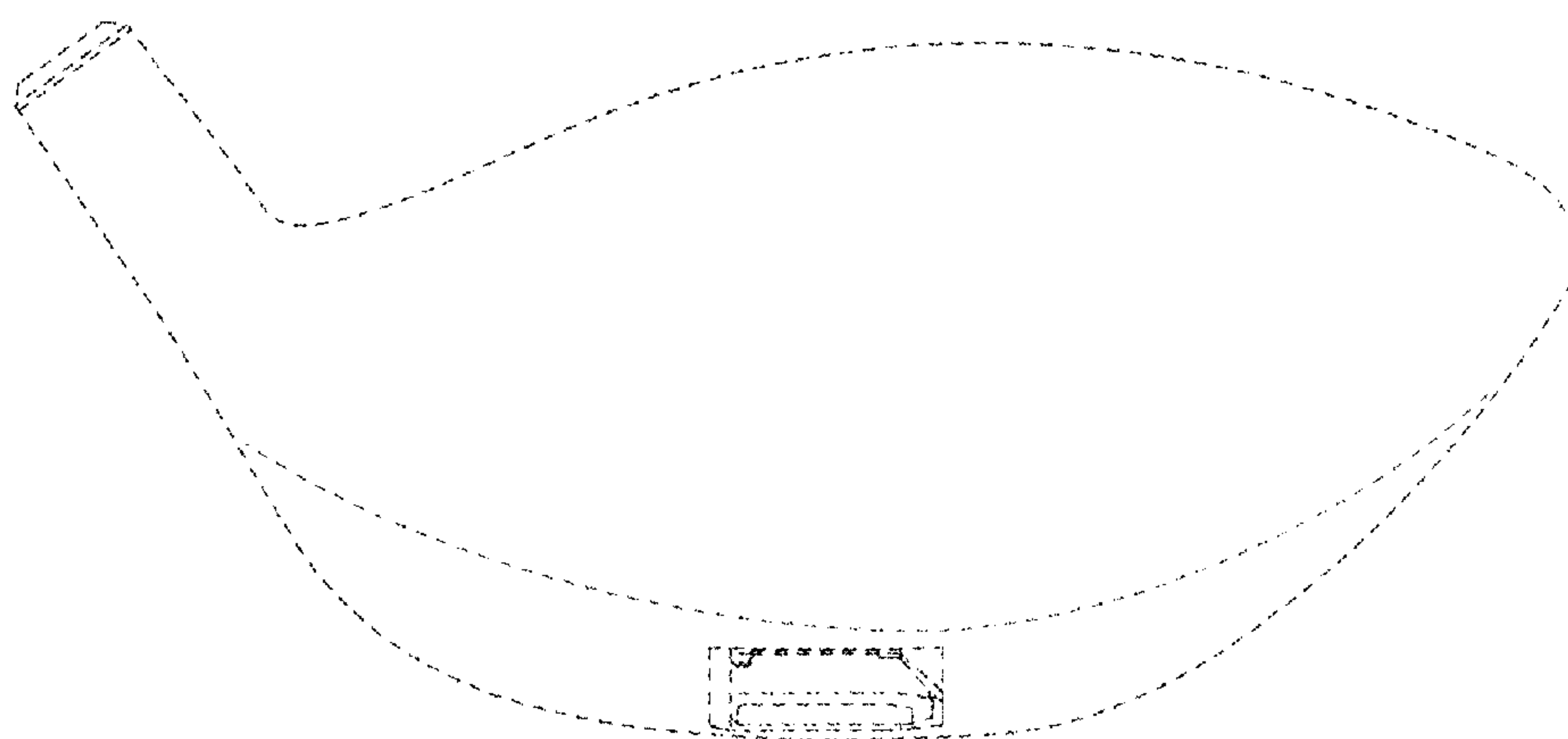


FIG. 3

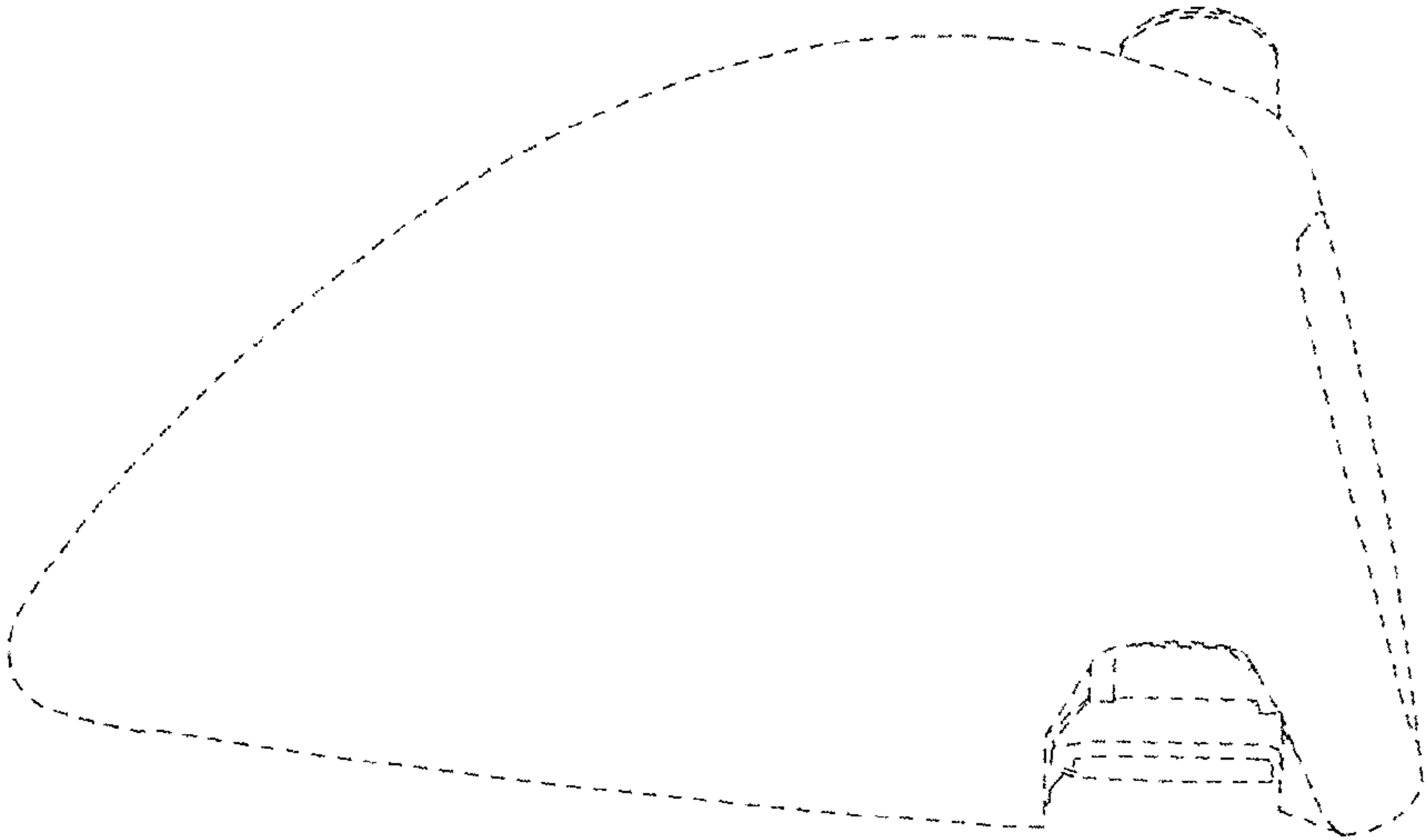


FIG. 4

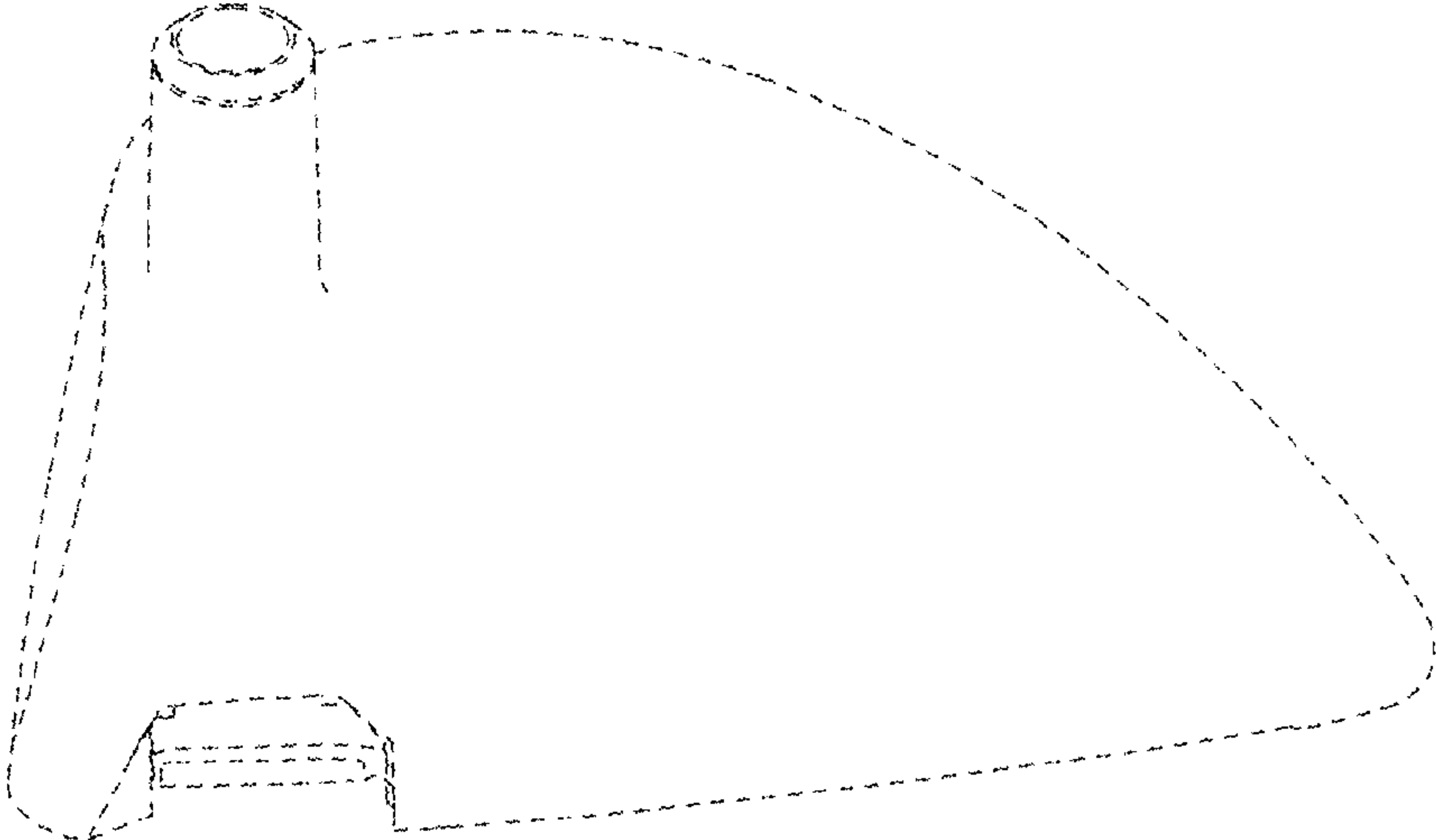


FIG. 5

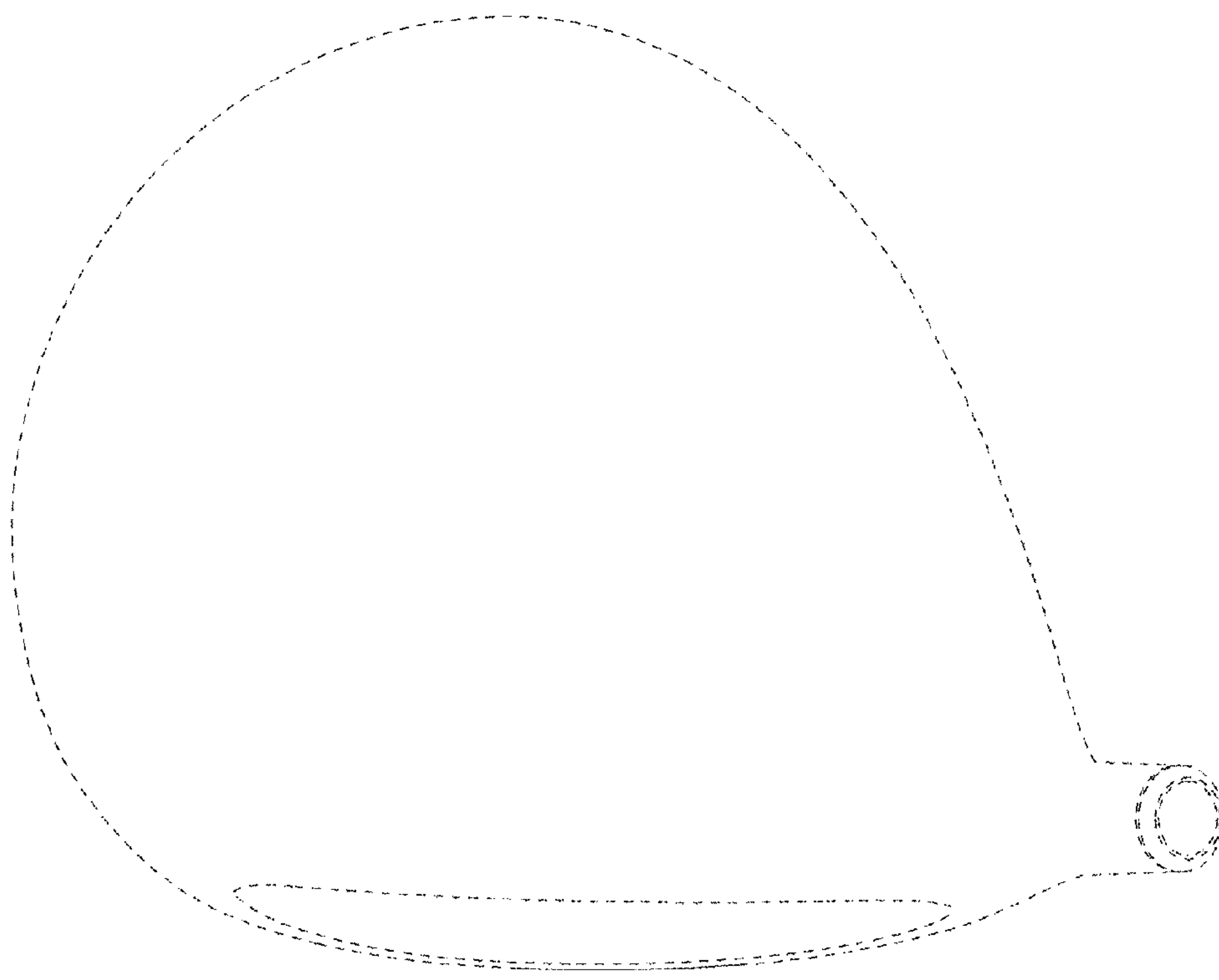


FIG. 6

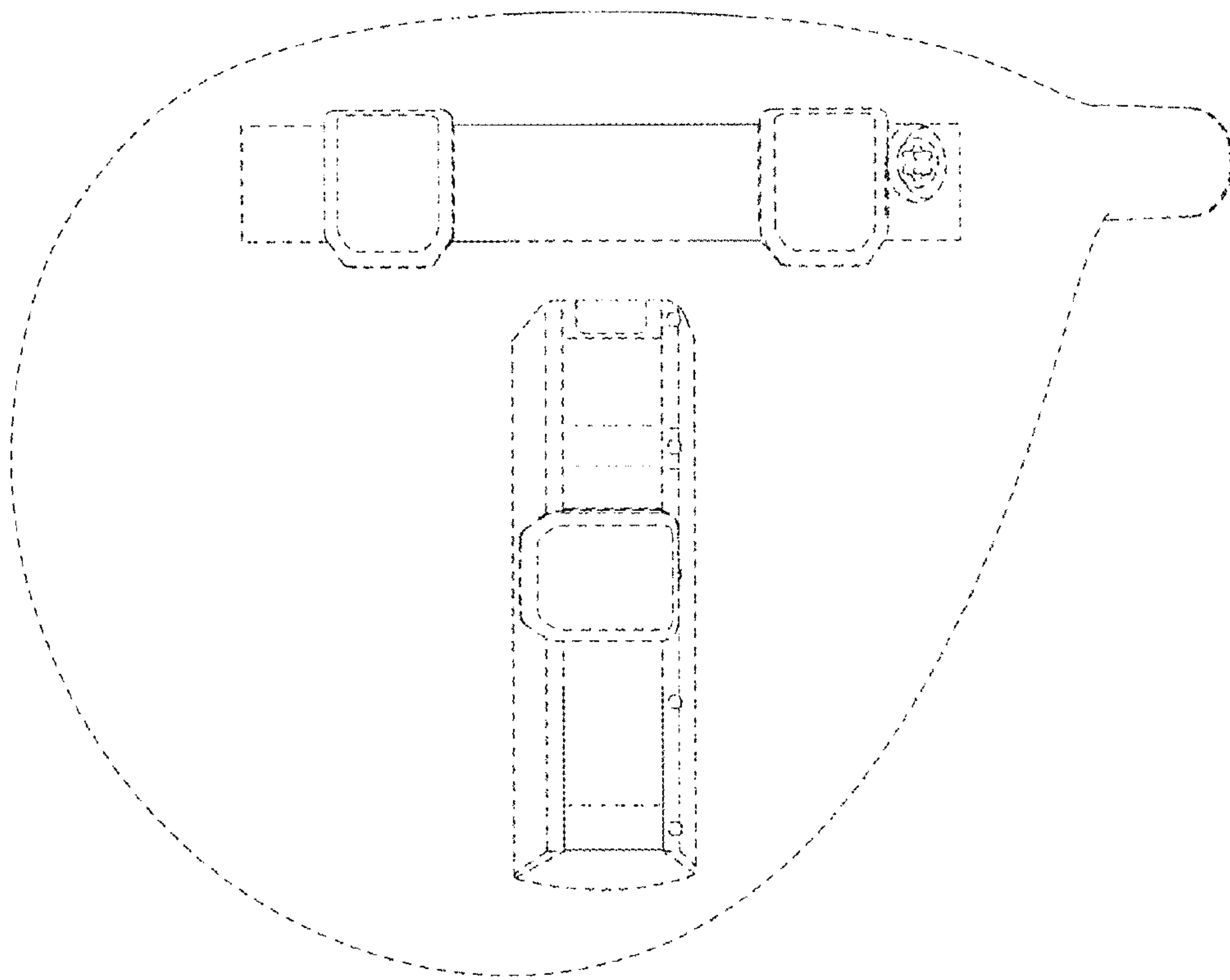


FIG. 7