



US00D770583S

(12) **United States Design Patent**
Andrews

(10) **Patent No.:** **US D770,583 S**
(45) **Date of Patent:** **** Nov. 1, 2016**

(54) **CONNECTING MEMBER FOR A MODULAR
TENNIS RACKET**

D678,967 S * 3/2013 Fossum D21/753
D697,153 S * 1/2014 Fossum D21/753
2002/0086747 A1* 7/2002 Hsu A63B 49/02
473/520

(71) Applicant: **Dunlop Slazenger International
Limited, Shirebrook (GB)**

FOREIGN PATENT DOCUMENTS

(72) Inventor: **Richard Andrews, Nottingham (GB)**

CN 2449762 Y 9/2001
GB 2149311 A 6/1985
GB 2230458 A 10/1990
WO 2008110888 A1 9/2008

(73) Assignee: **Dunlop Slazenger International
Limited, Shirebrook (GB)**

OTHER PUBLICATIONS

(**) Term: **14 Years**

“Jenro Original Twin Racket”, www.escapetennis.com/jenro-original-twin-racket,us,4,RJTWIN2.cfm accessed Oct. 14, 2013 (admitted prior art).

(21) Appl. No.: **29/517,231**

(22) Filed: **Feb. 11, 2015**

* cited by examiner

(30) **Foreign Application Priority Data**

Aug. 18, 1920 (EM) 002517623-0001
Aug. 18, 1920 (EM) 002517623-0002

Primary Examiner — Mitchell Siegel

(51) **LOC (10) Cl.** **21-02**

(74) *Attorney, Agent, or Firm* — MacMillan, Sobanski & Todd LLC

(52) **U.S. Cl.**
USPC **D21/753**

(57) **CLAIM**

(58) **Field of Classification Search**
USPC D21/729–732, 753
CPC A63B 49/035; A63B 49/03; A63B 49/00;
A63B 49/02; A63B 49/10; A63B 49/12;
A63B 60/06

The ornamental design for a connecting member for a modular tennis racket, as shown.

See application file for complete search history.

DESCRIPTION

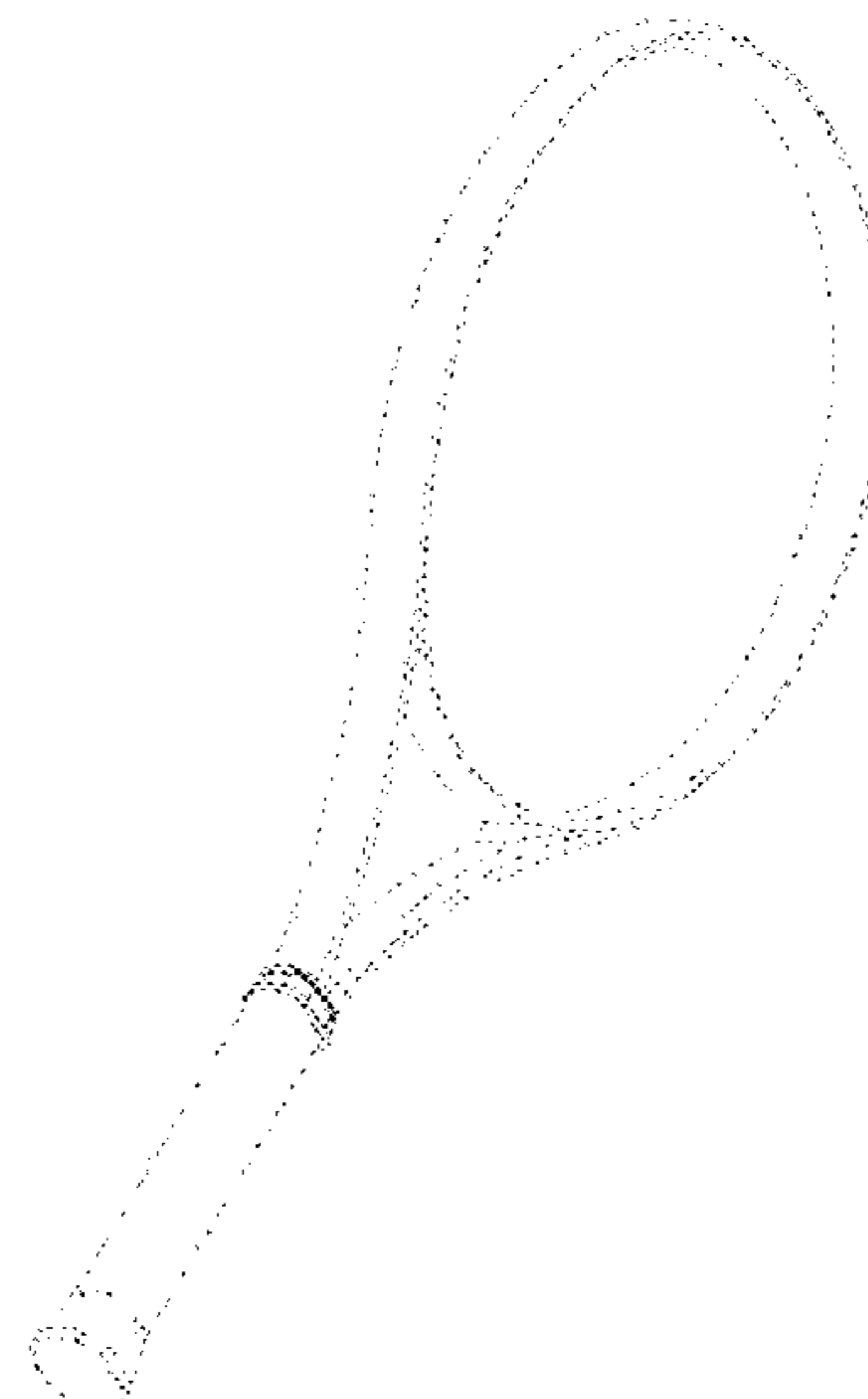
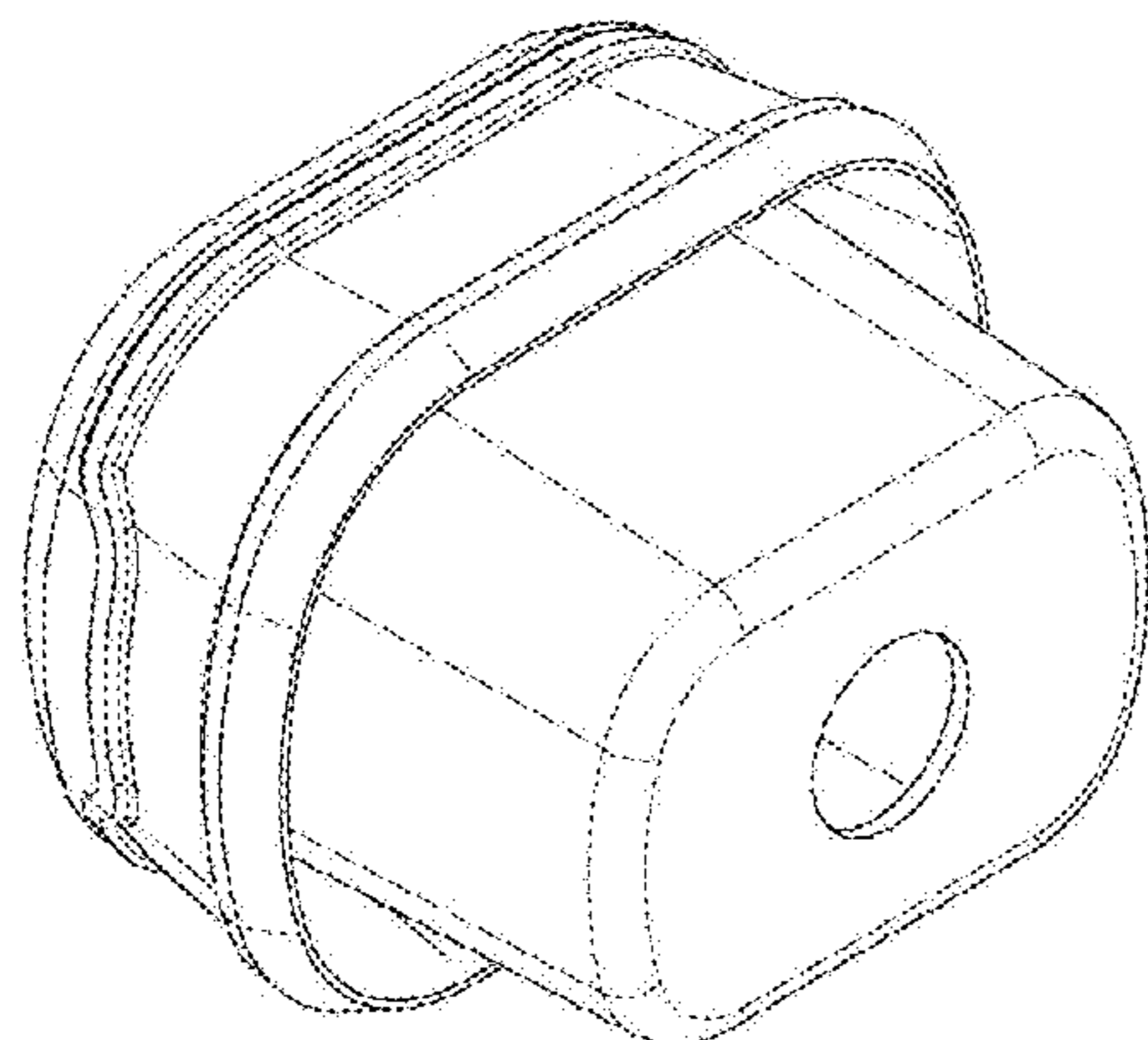
(56) **References Cited**

U.S. PATENT DOCUMENTS

3,086,777 A * 4/1963 Lacoste A63B 49/12
473/540
D350,378 S * 9/1994 Curtis D21/729
6,485,381 B1 * 11/2002 Pai A63B 49/035
473/521
D590,902 S * 4/2009 De La Cruz D21/753
D665,471 S * 8/2012 Fossum D21/753
D670,776 S * 11/2012 Fossum D21/753

FIG. 1 is a perspective view of a connecting member for a modular tennis racket embodying my design.
FIG. 2 is a front side elevational view thereof.
FIG. 3 is a rear side elevational view thereof.
FIG. 4 is a left side elevational view thereof.
FIG. 5 is an upper end elevational view thereof.
FIG. 6 is a lower end elevational view thereof; and,
FIG. 7 is a reduced perspective view of the connecting member for a modular tennis racket embodying my design. The purpose of broken lines in FIG. 7 is to show environmental structure that forms no part of the design to be patented.

1 Claim, 7 Drawing Sheets



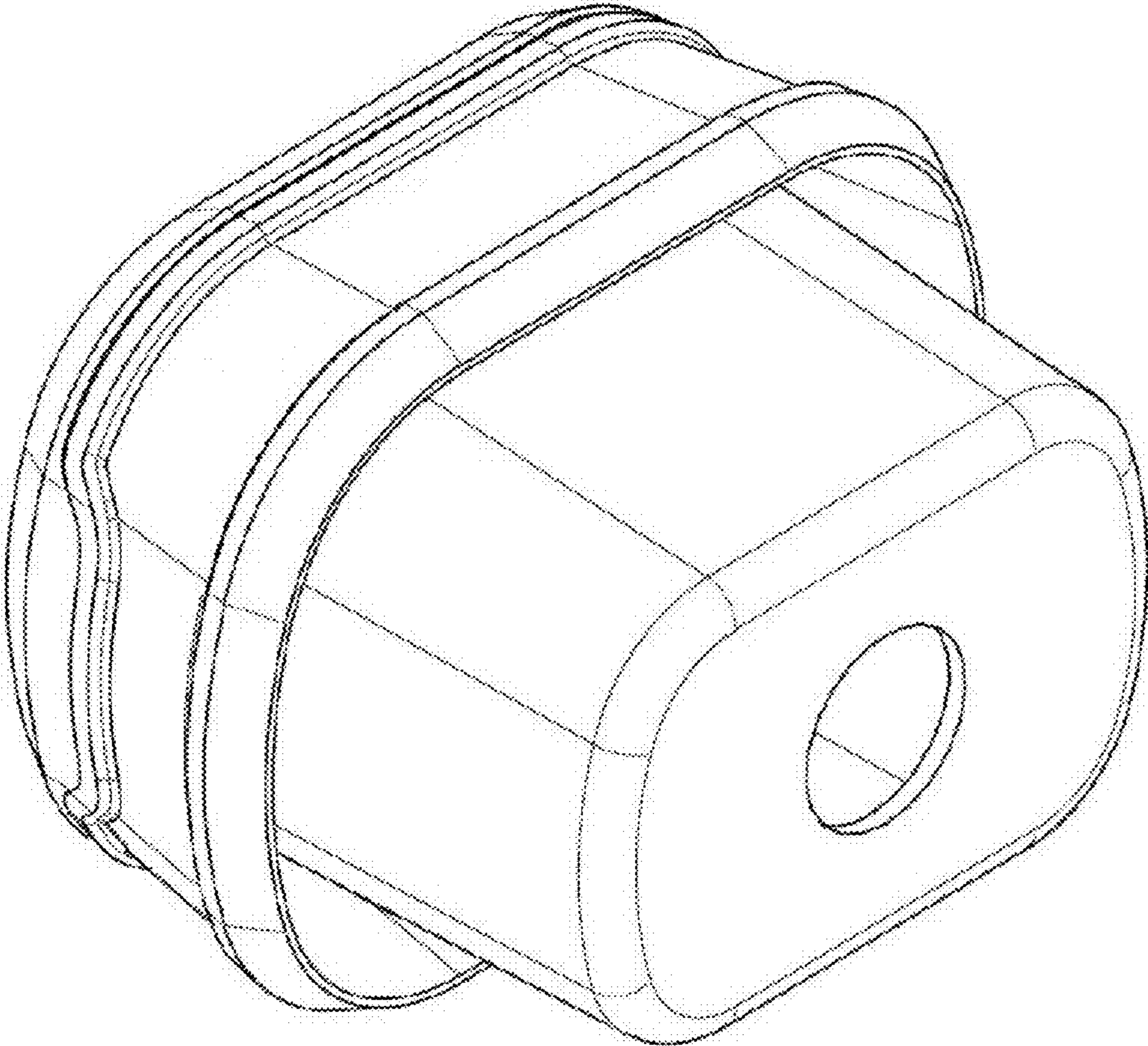


FIG. 1

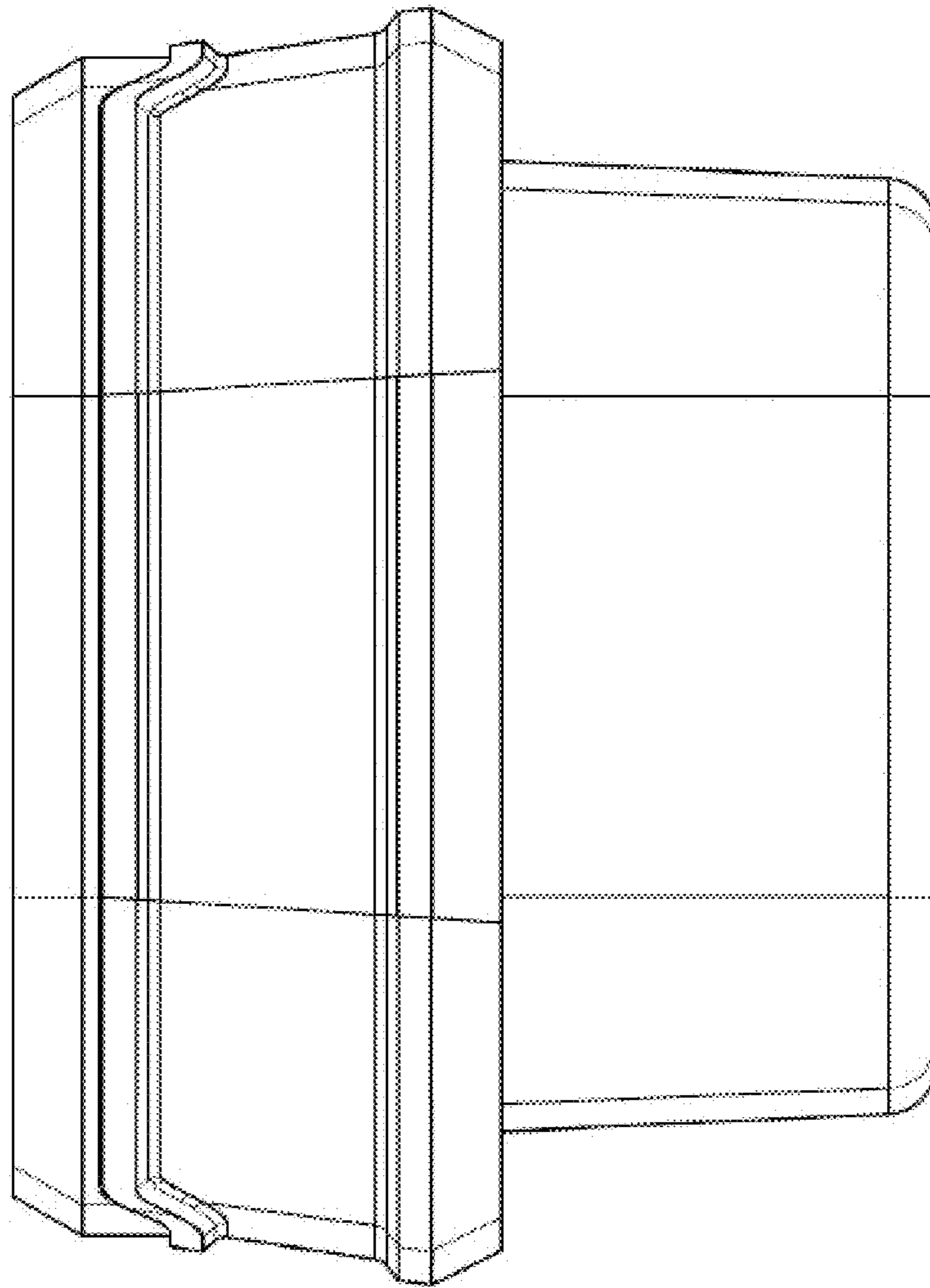


FIG. 2

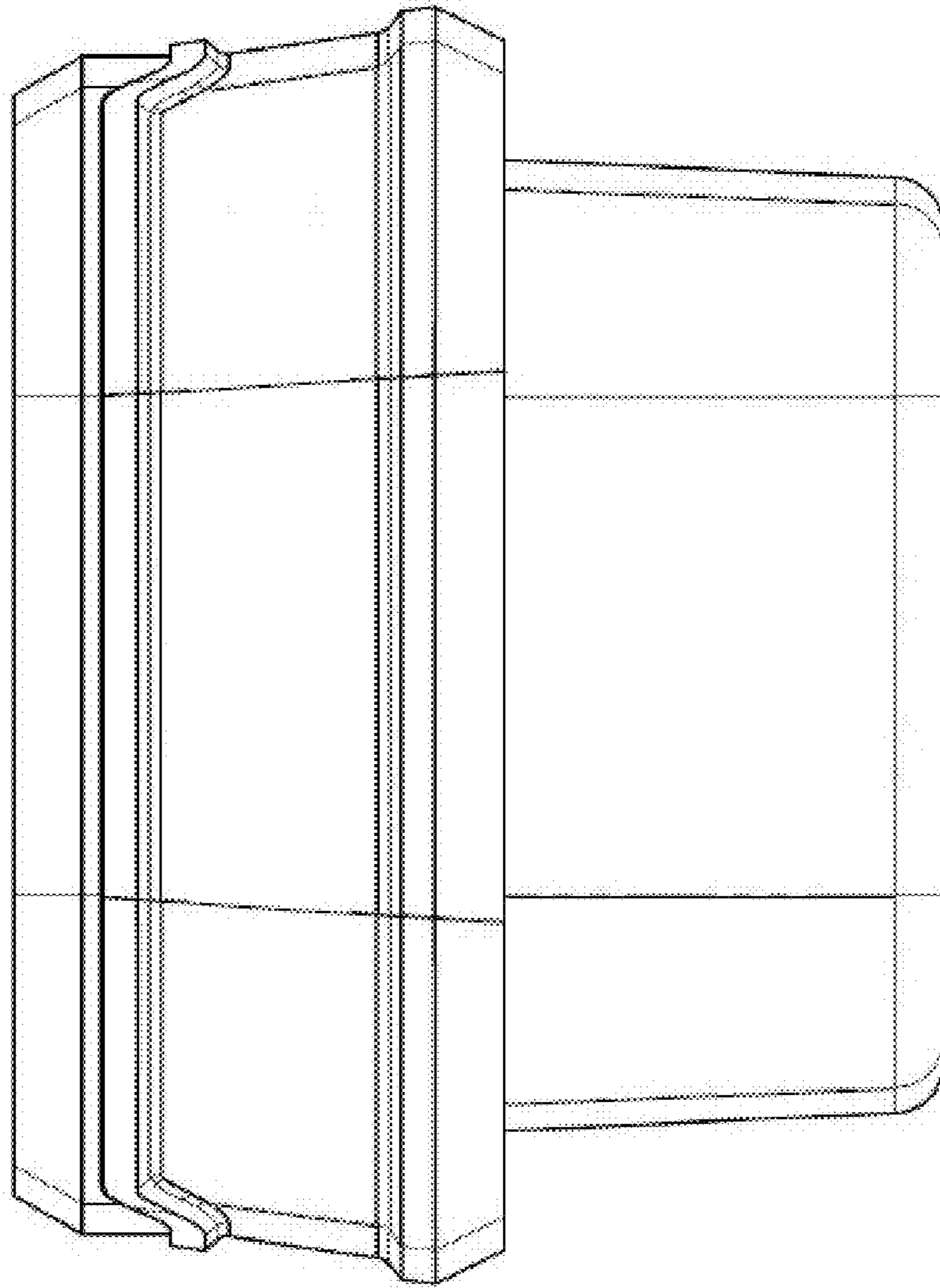


FIG. 3

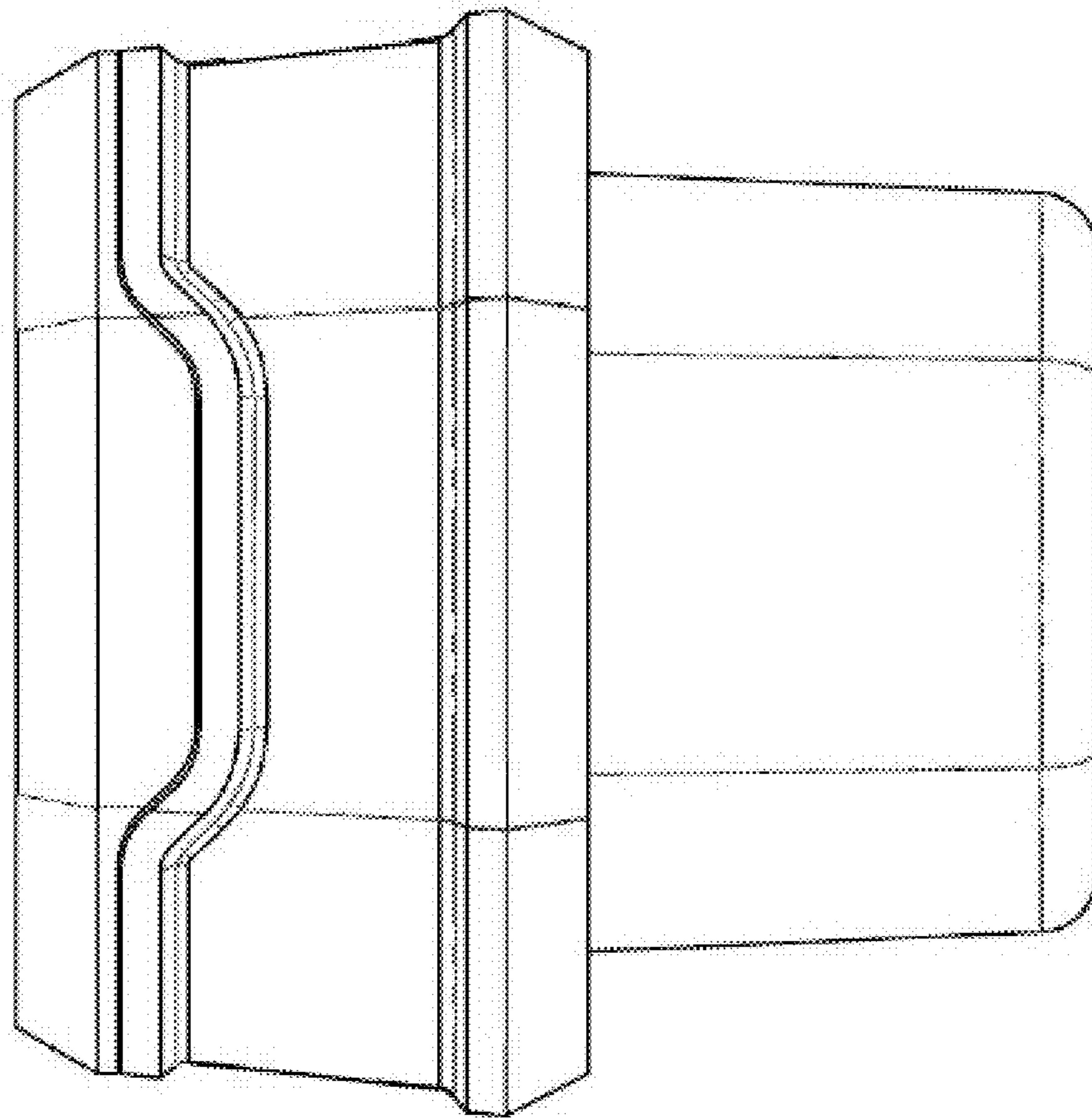


FIG. 4

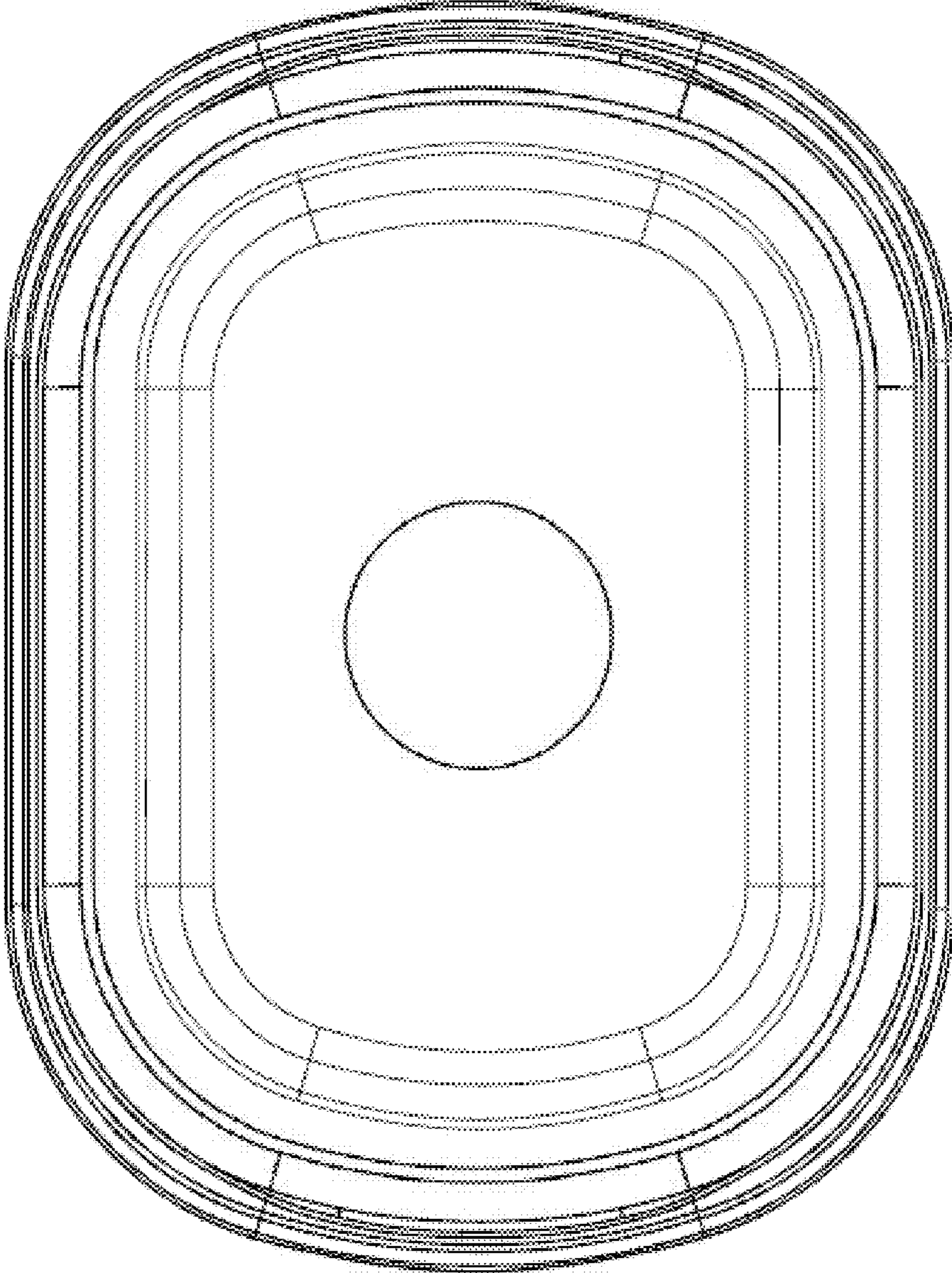


FIG. 5

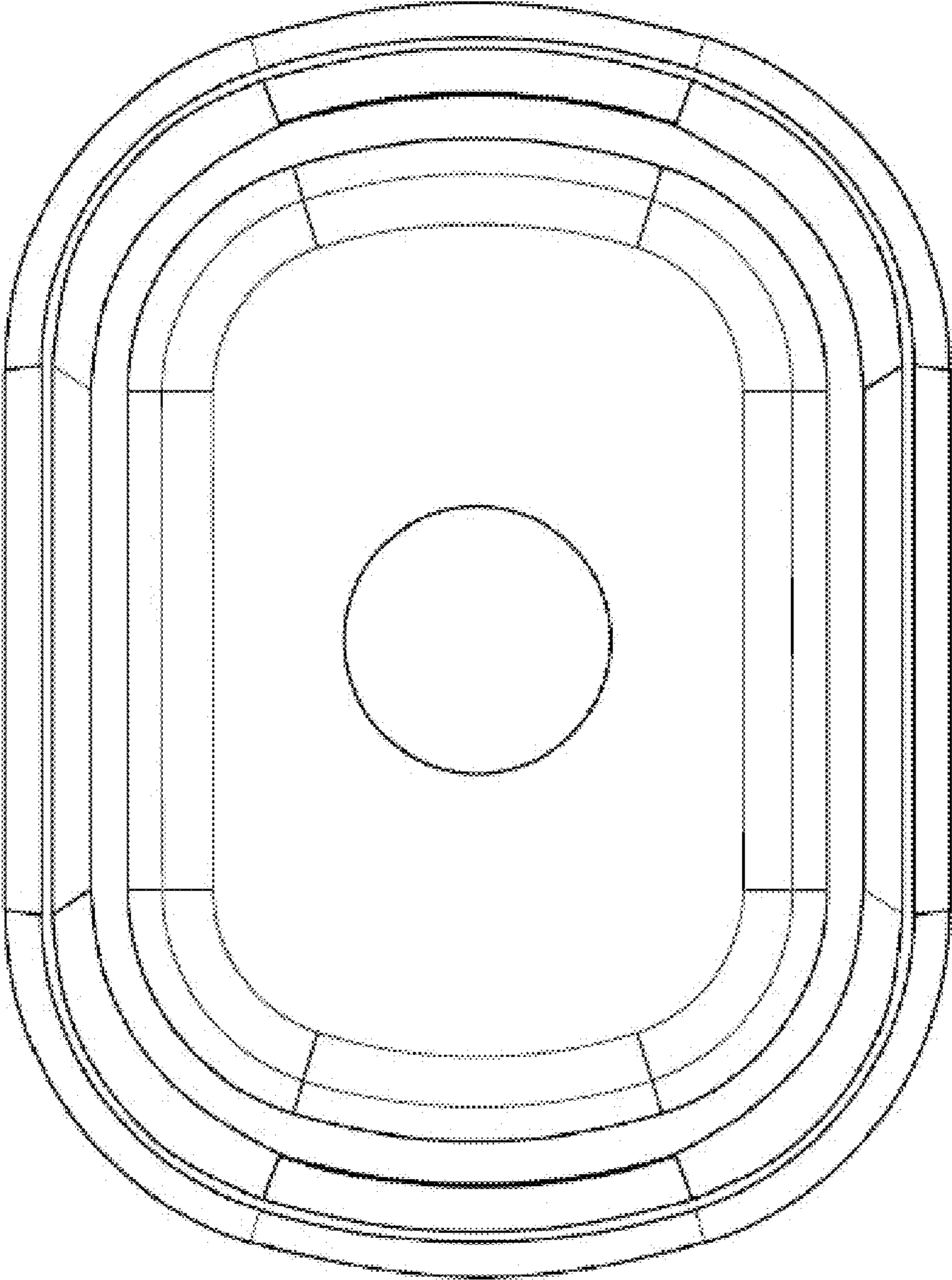


FIG. 6



FIG. 7

UNITED STATES PATENT AND TRADEMARK OFFICE
CERTIFICATE OF CORRECTION

PATENT NO. : D770,583 S
APPLICATION NO. : 29/517231
DATED : November 1, 2016
INVENTOR(S) : Richard Andrews

Page 1 of 1

It is certified that error appears in the above-identified patent and that said Letters Patent is hereby corrected as shown below:

On the Title Page

Item (30) Foreign Application Priority Data, please correct:

“Aug. 18, 1920 (EM).....002517623-0001
Aug. 18, 1920 (EM).....002517623-0002”

to

-- Aug. 18, 2014 (EM).....002517623-0001
Aug. 18, 2014 (EM).....002517623-0002 --.

Signed and Sealed this
Fourteenth Day of February, 2017



Michelle K. Lee
Director of the United States Patent and Trademark Office