



US00D770577S

(12) **United States Design Patent** (10) **Patent No.:** **US D770,577 S**  
**Augustine et al.** (45) **Date of Patent:** **\*\* Nov. 1, 2016**

(54) **ABDOMINAL BENCH**  
(71) Applicants: **David Augustine**, Mendham, NJ (US);  
**Don Brown**, Willamsport, PA (US);  
**Sean Gagnon**, Bernardsville, NJ (US)  
(72) Inventors: **David Augustine**, Mendham, NJ (US);  
**Don Brown**, Willamsport, PA (US);  
**Sean Gagnon**, Bernardsville, NJ (US)

D477,372 S \* 7/2003 Garner ..... D21/690  
D519,585 S \* 4/2006 Webber ..... D21/676  
D541,357 S \* 4/2007 Webber ..... D21/690  
D541,358 S \* 4/2007 Webber ..... D21/690  
D541,893 S \* 5/2007 Webber ..... D21/690  
D542,868 S \* 5/2007 Webber ..... D21/690  
7,662,077 B1 \* 2/2010 Liu ..... A63B 23/02  
482/142  
D613,804 S \* 4/2010 Perez ..... D21/691

(\*\*) Term: **14 Years**

**OTHER PUBLICATIONS**

(21) Appl. No.: **29/521,384**

Target Abs by The abs Company dated no date given. Found online  
[May 1, 2016] <http://theabscompany.com/>.\*

(22) Filed: **Mar. 23, 2015**

\* cited by examiner

(51) **LOC (10) Cl.** ..... **21-02**

(52) **U.S. Cl.**  
USPC ..... **D21/690**

*Primary Examiner* — Robert M Spear  
*Assistant Examiner* — Ryan Harvey  
(74) *Attorney, Agent, or Firm* — QuickPatents, LLC;  
Kevin Prince

(58) **Field of Classification Search**  
USPC ..... 482/54, 140, 142, 123, 121, 122, 129,  
482/130, 96, 52, 57, 907, 126, 131, 145,  
482/144, 112, 134, 26, 27, 77, 125, 132, 92,  
482/95, 91, 128, 68, 141, 53, 133, 138;  
D21/687, 686, 669, 673, 690, 691, 694,  
D21/676, 674, 670, 663, 662, 423, 695,  
D21/688; D24/183, 188; 297/175, 445.1,  
297/423.37, 230.1; 601/24, 49; 606/240,  
606/244, 242; 5/613, 618, 624; 473/197,  
473/422; 280/47.371, 79.6; D14/447  
CPC ..... A63B 22/02; A63B 22/0023; A63B  
22/0235; A63B 2210/50; A63B 21/4029;  
A63B 22/0285; A63B 22/0242; A63B  
2225/30; A63B 21/078; A61H 2203/0493;  
A61H 1/0292; A61H 2201/1284; A61H  
1/0222

See application file for complete search history.

(56) **References Cited**

**U.S. PATENT DOCUMENTS**

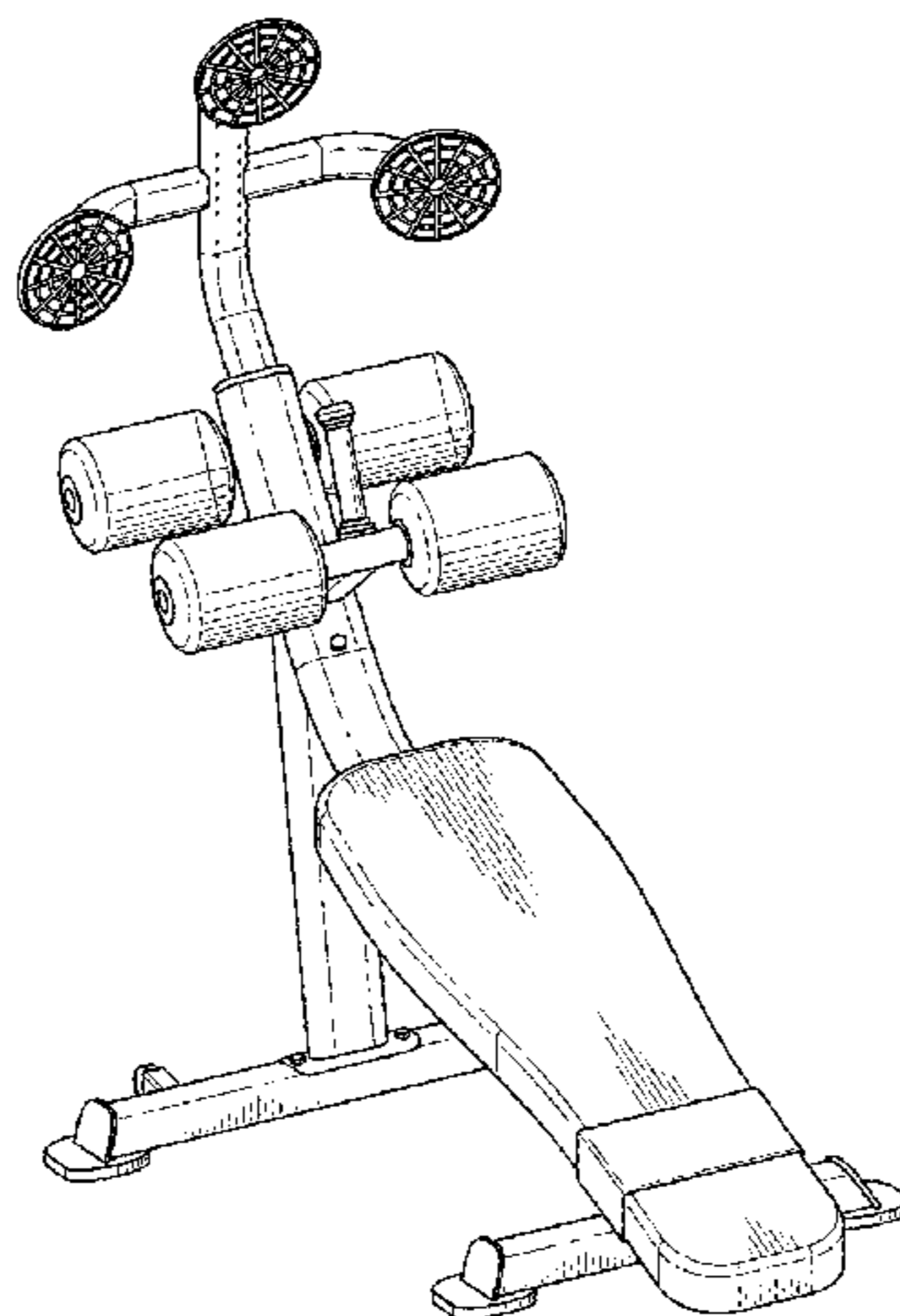
D370,506 S \* 6/1996 Clem ..... D21/687  
6,280,367 B1 \* 8/2001 Arsenault ..... A63B 23/0211  
473/197

(57) **CLAIM**  
We claim the ornamental design for an abdominal bench, as  
shown and described.

**DESCRIPTION**

FIG. 1 is a perspective view of an abdominal bench, showing  
our new design;  
FIG. 2 is a front elevational view thereof;  
FIG. 3 is a rear elevational view thereof;  
FIG. 4 is a left-side elevational view thereof, the right-side  
elevational view being a mirror image thereof;  
FIG. 5 is a top plan view thereof; and,  
FIG. 6 is a bottom plan view thereof.  
The broken lines in FIG. 6 depict portions of the bench that  
form no part of the claimed design.

**1 Claim, 4 Drawing Sheets**



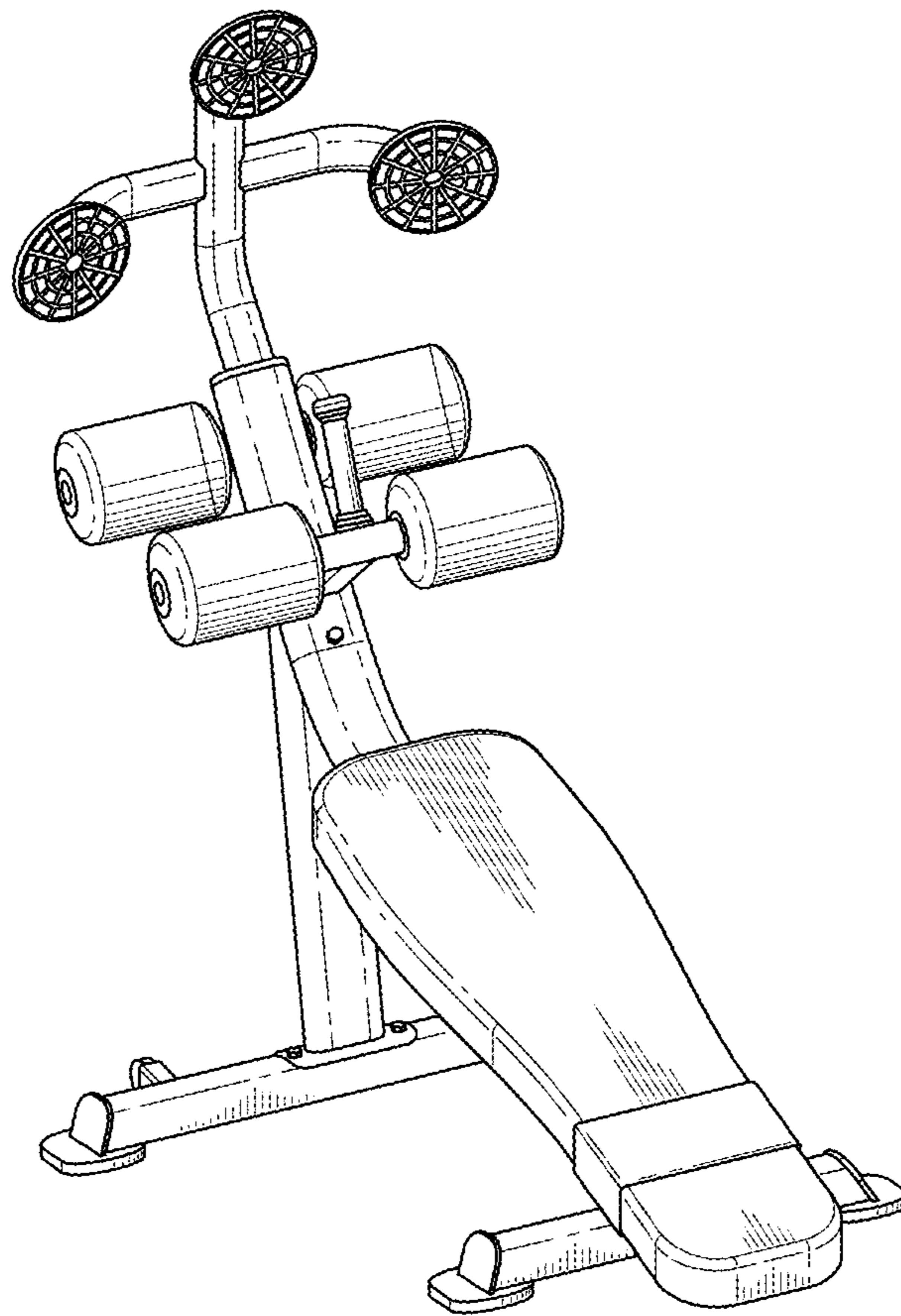


FIG. 1

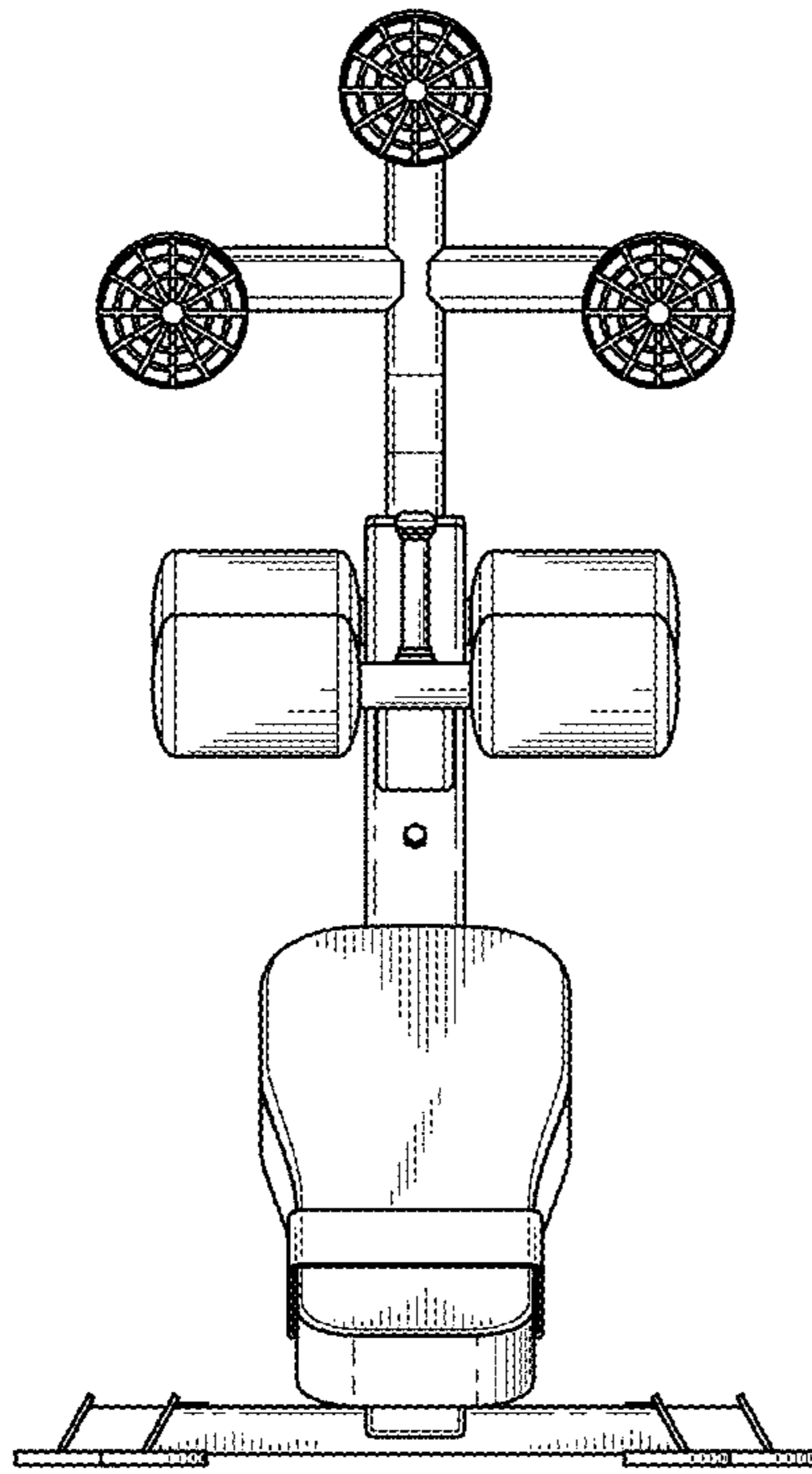


FIG. 2

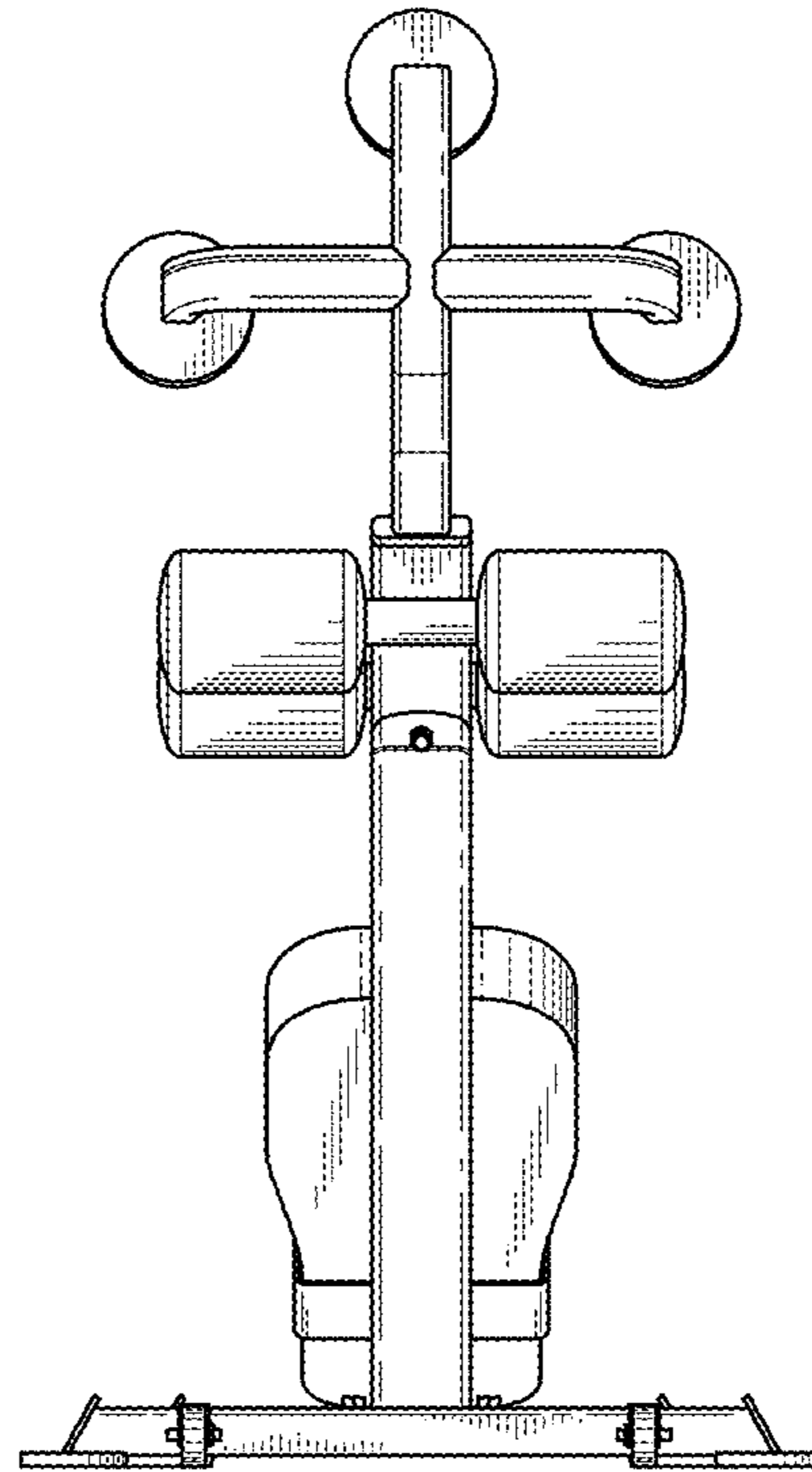


FIG. 3

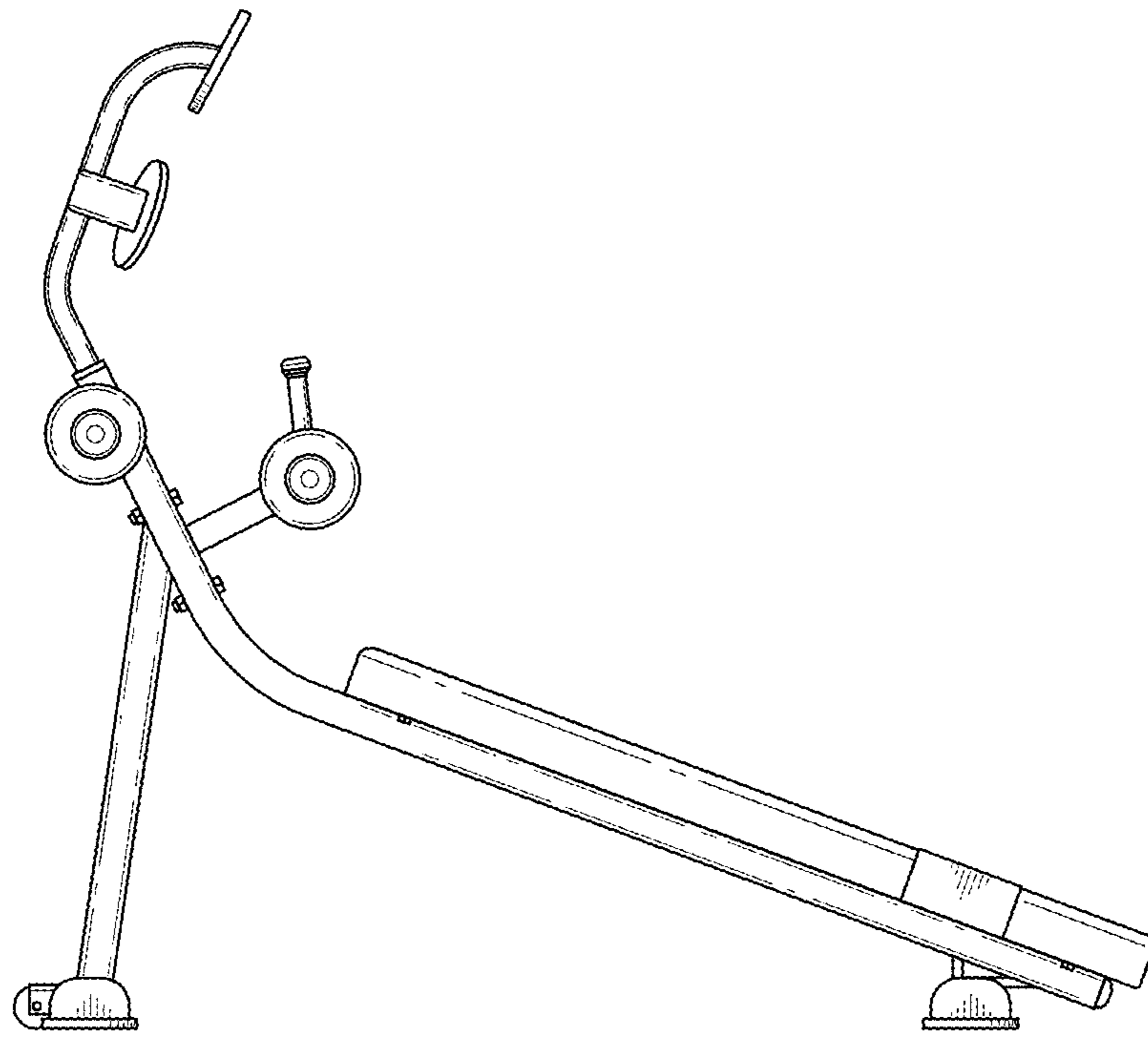


FIG. 4

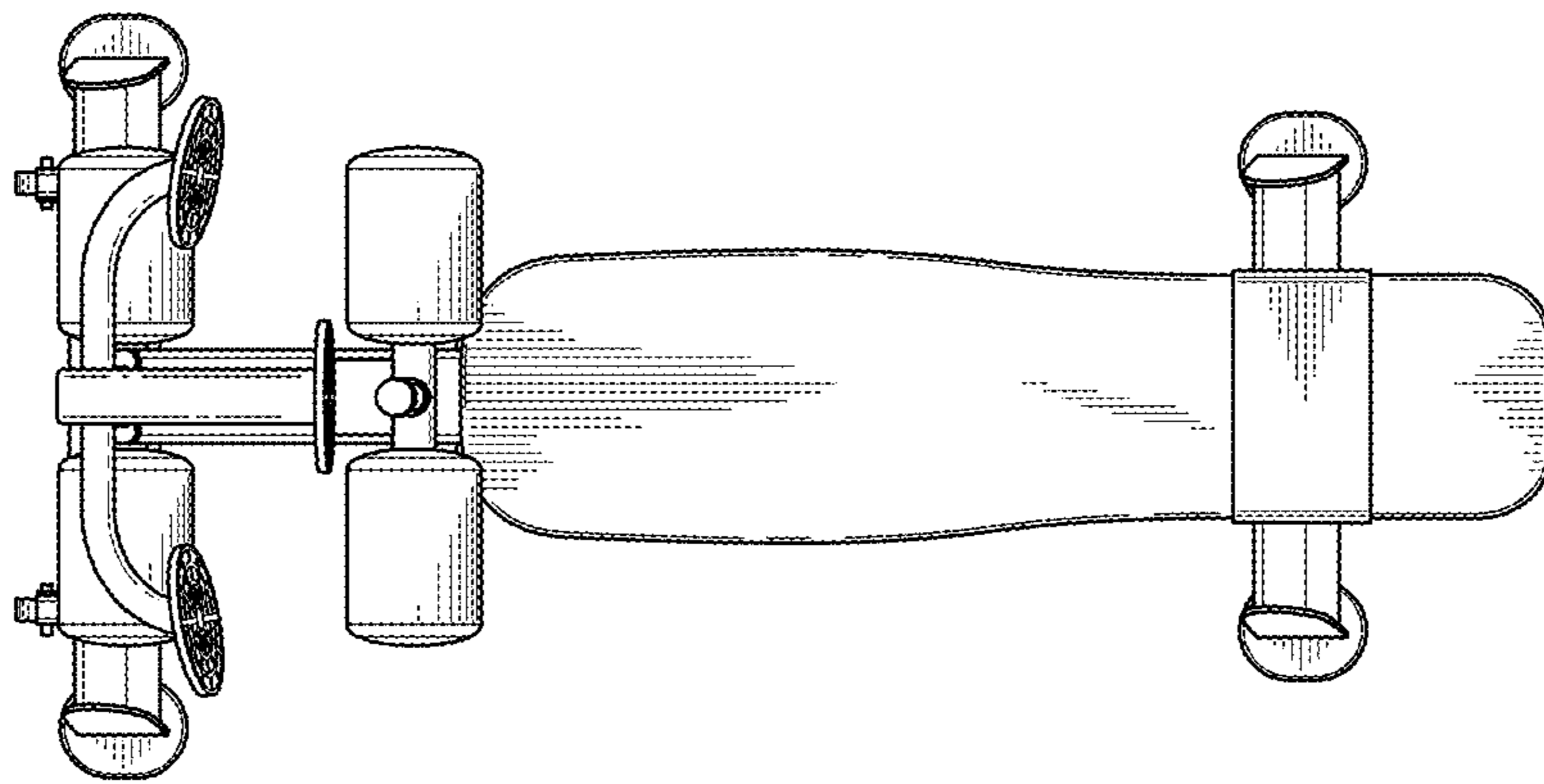


FIG. 5

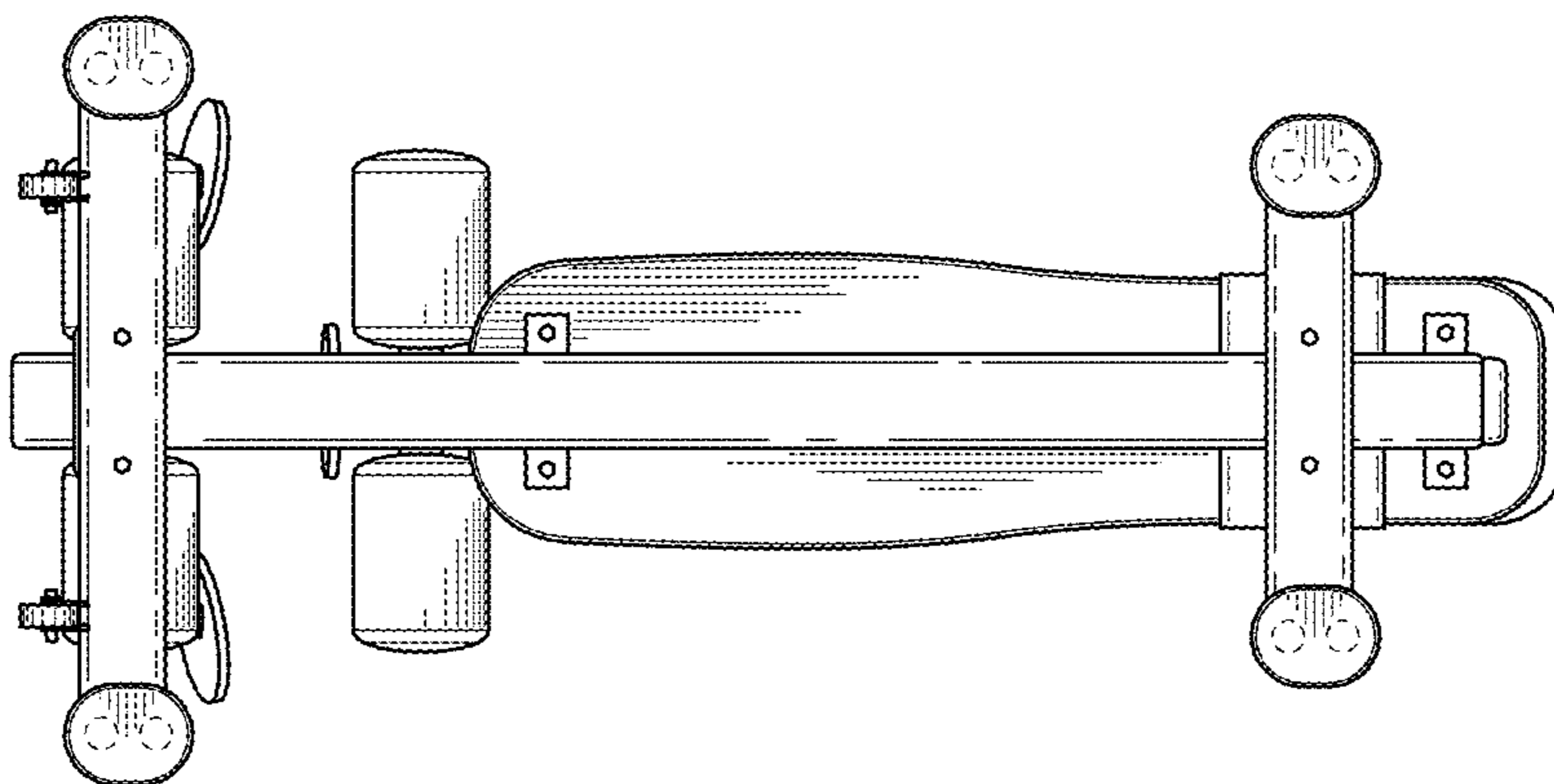


FIG. 6