



US00D770576S

(12) **United States Design Patent** (10) **Patent No.:** **US D770,576 S**  
**Siebert et al.** (45) **Date of Patent:** **\*\* Nov. 1, 2016**

(54) **CONVERGENT TREADMILL DESK**  
(71) Applicant: **Brunswick Corporation**, Lake Forest, IL (US)  
(72) Inventors: **Paul Brian Siebert**, Chicago, IL (US); **William Cesare Cesaroni**, Glenview, IL (US); **Morad Ghassemian**, Oak Park, IL (US); **Brian Young Lee**, Glenview, IL (US); **Christopher Justin Mayer**, Chicago, IL (US)

(73) Assignee: **Brunswick Corporation**, Lake Forest, IL (US)

(\*\*) Term: **15 Years**

(21) Appl. No.: **29/531,671**

(22) Filed: **Jun. 29, 2015**

(51) **LOC (10) Cl.** ..... **21-02**

(52) **U.S. Cl.**  
USPC ..... **D21/669**

(58) **Field of Classification Search**  
USPC ..... 482/54, 140, 142, 123, 121, 122, 129, 482/130, 96, 52, 57, 907, 126, 131, 145, 482/144, 112, 134, 26, 27, 77, 125, 132, 92, 482/95, 91, 128, 68, 141, 53, 133, 138; D21/687, 686, 669, 673, 690, 691, 694, D21/676, 674, 670, 663, 662, 423, 695, D21/688; D24/183, 188; 297/175, 445.1, 297/423.38, 230.1; 601/24, 49; 606/240, 606/244, 242; 5/613, 618, 624; 473/197, 473/422; 280/47.371, 79.6; D14/447  
CPC ..... A63B 22/02; A63B 22/0023; A63B 22/0235; A63B 2210/50; A63B 21/4029; A63B 22/0285; A63B 22/0242; A63B 2225/30; A63B 21/078; A61H 2203/0493; A61H 1/0292; A61H 2201/1284; A61H 1/0222

See application file for complete search history.

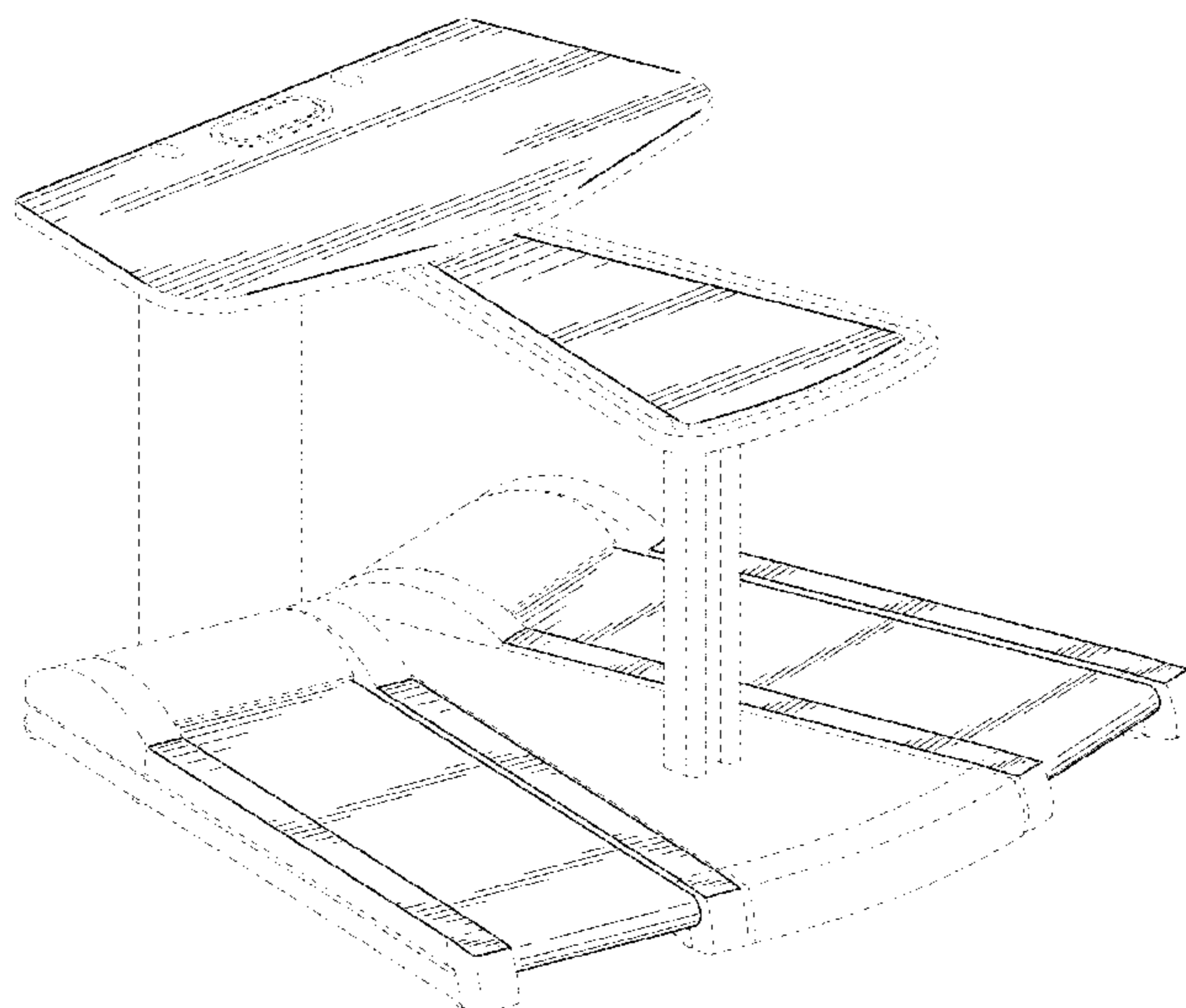
(56) **References Cited**  
U.S. PATENT DOCUMENTS  
4,646,655 A 3/1987 Robolin  
D406,621 S \* 3/1999 Piaget ..... D21/669  
D421,779 S \* 3/2000 Piaget ..... D21/669  
6,461,279 B1 \* 10/2002 Kuo ..... A63B 22/0056  
482/52  
7,614,991 B2 11/2009 Fox  
7,686,742 B2 3/2010 Tischler et al.  
(Continued)

**OTHER PUBLICATIONS**  
InMovement BI Stride by InMovement dated no date given. Found online [May 2, 2016] <https://www.inmovement.com/en/our-products/inmovement-treadmill-desks/inmovement-bistride#>.  
*Primary Examiner* — Robert M Spear  
*Assistant Examiner* — Ryan Harvey  
(74) *Attorney, Agent, or Firm* — Andrus Intellectual Property Law, LLP

(57) **CLAIM**  
The ornamental design for a convergent treadmill desk, as shown and described.

**DESCRIPTION**  
FIG. 1 is a front perspective view of the convergent treadmill desk showing our new design;  
FIG. 2 is a left side elevation view thereof;  
FIG. 3 is a right side elevation view thereof;  
FIG. 4 is a back side elevation view thereof;  
FIG. 5 is a front side elevation view thereof;  
FIG. 6 is a top plan view thereof; and,  
FIG. 7 is a bottom plan view thereof.  
The broken lines in the figures show portions of the convergent treadmill desk that form no portion of the claimed design.

**1 Claim, 7 Drawing Sheets**



(56)

**References Cited**

U.S. PATENT DOCUMENTS

7,892,148 B1 2/2011 Stauffer et al.  
7,922,626 B2 4/2011 Larson  
D683,802 S \* 6/2013 Lee ..... D21/669  
D691,223 S \* 10/2013 Hao ..... D21/694  
2004/0214693 A1\* 10/2004 Piaget ..... A63B 22/025  
482/52  
2005/0037898 A1\* 2/2005 Chang ..... A63B 22/0023  
482/54

2008/0058169 A1 3/2008 Fox  
2009/0062072 A1 3/2009 Packham  
2013/0231216 A1 9/2013 Hao  
2014/0073488 A1 3/2014 Wu  
2014/0076206 A1 3/2014 McCabe  
2014/0080678 A1 3/2014 Wu  
2014/0187383 A1 7/2014 Martin  
2014/0360413 A1 12/2014 Schenk et al.

\* cited by examiner

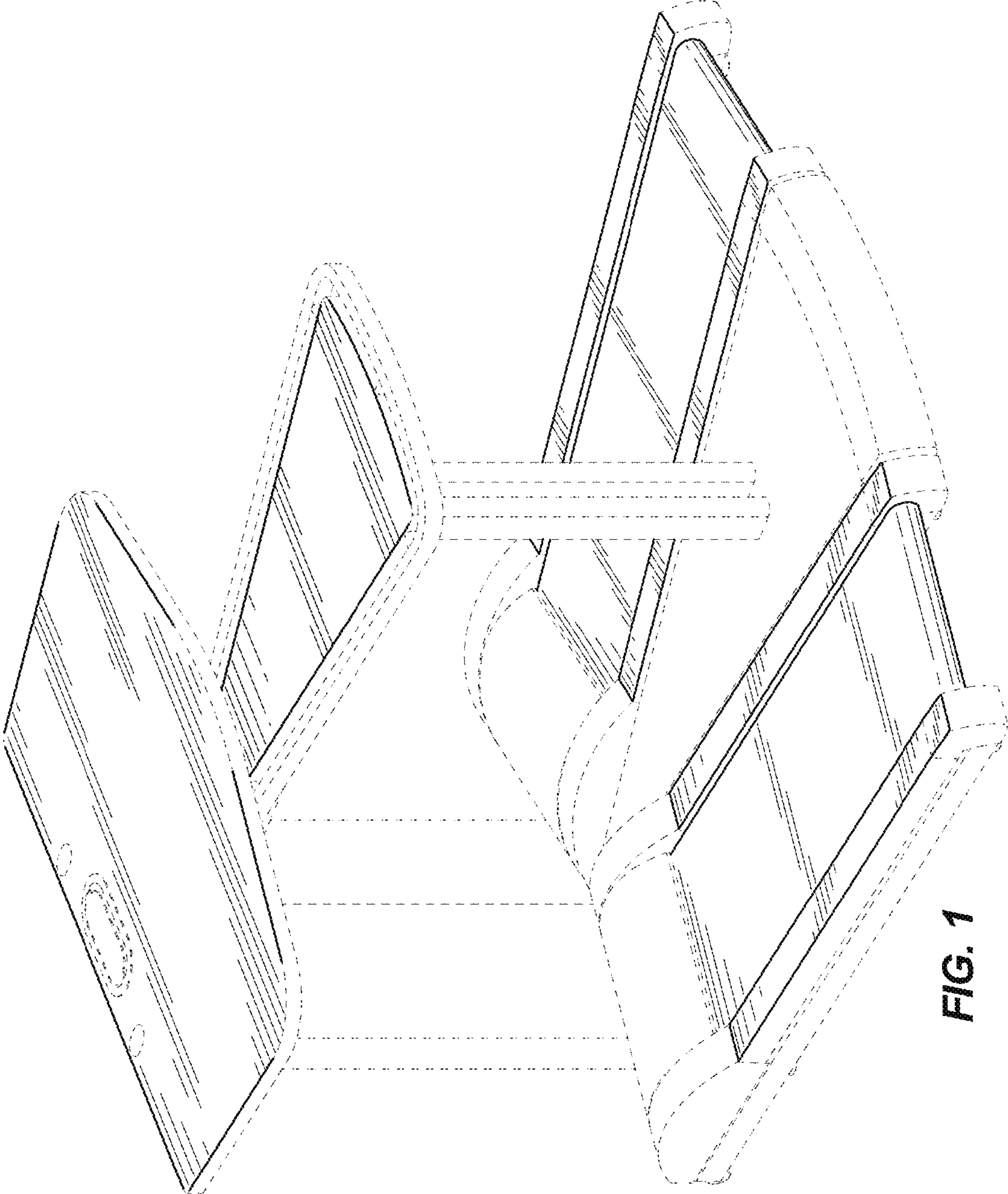


FIG. 1

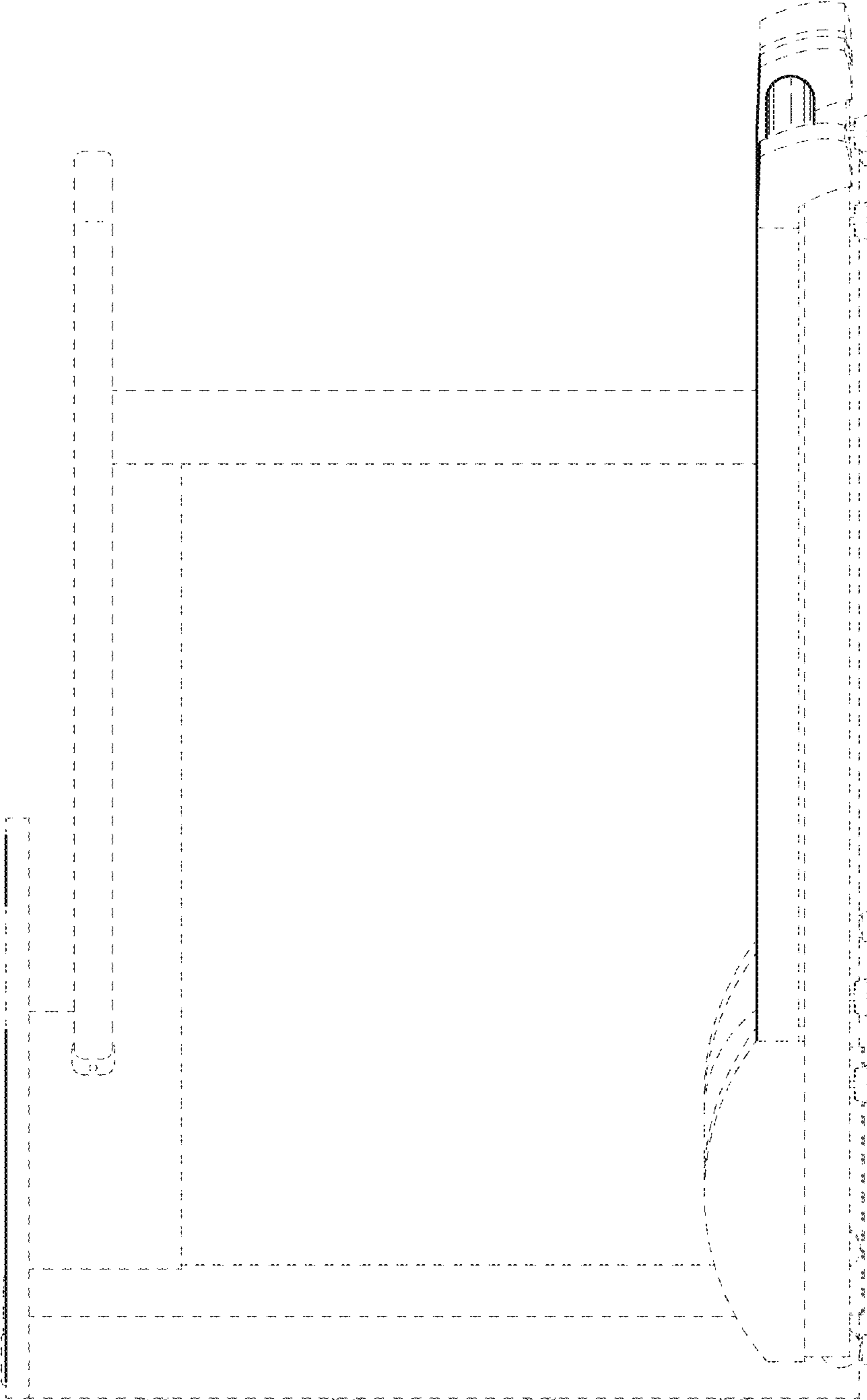
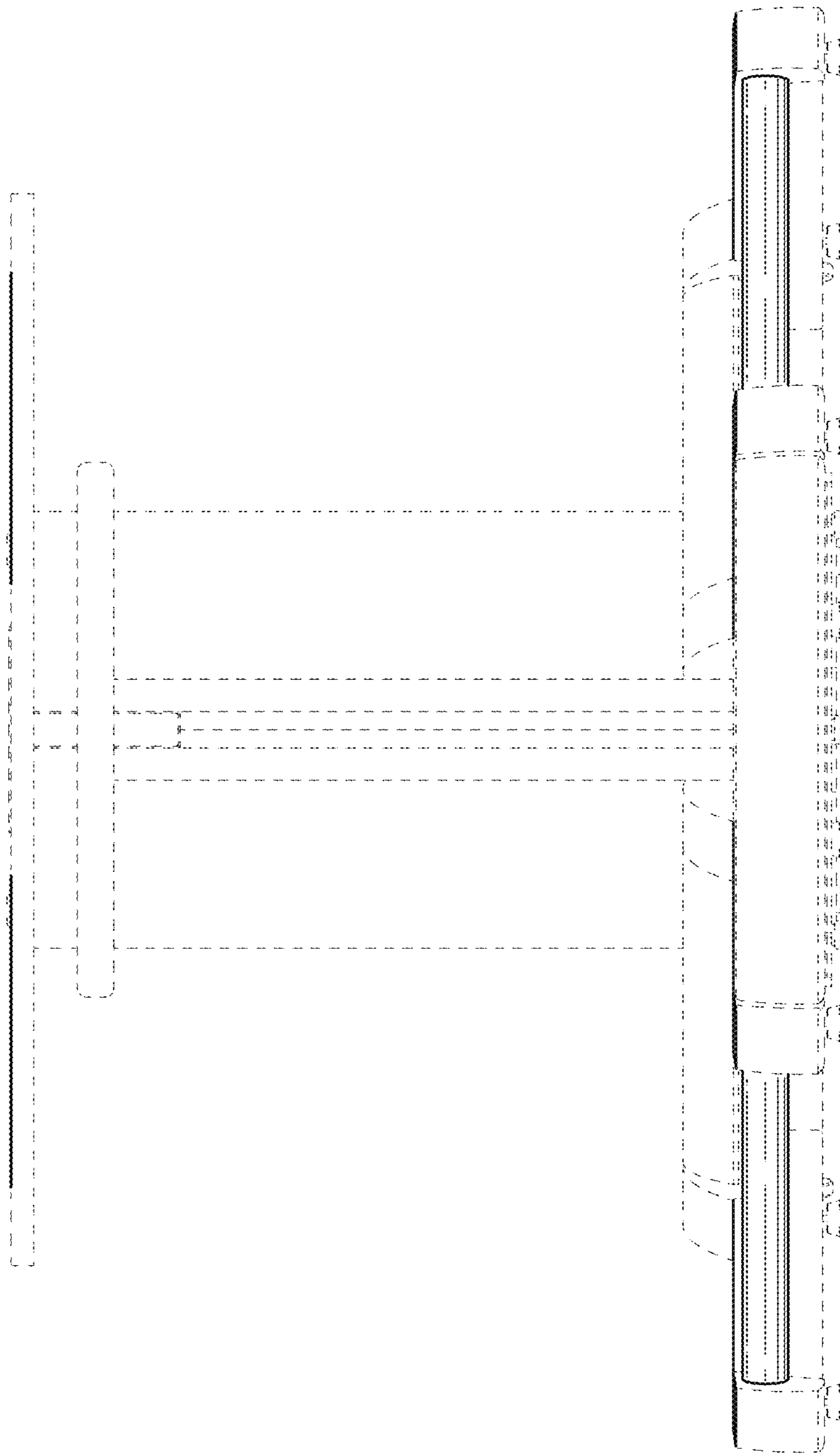


FIG. 2



FIG. 3





**FIG. 4**

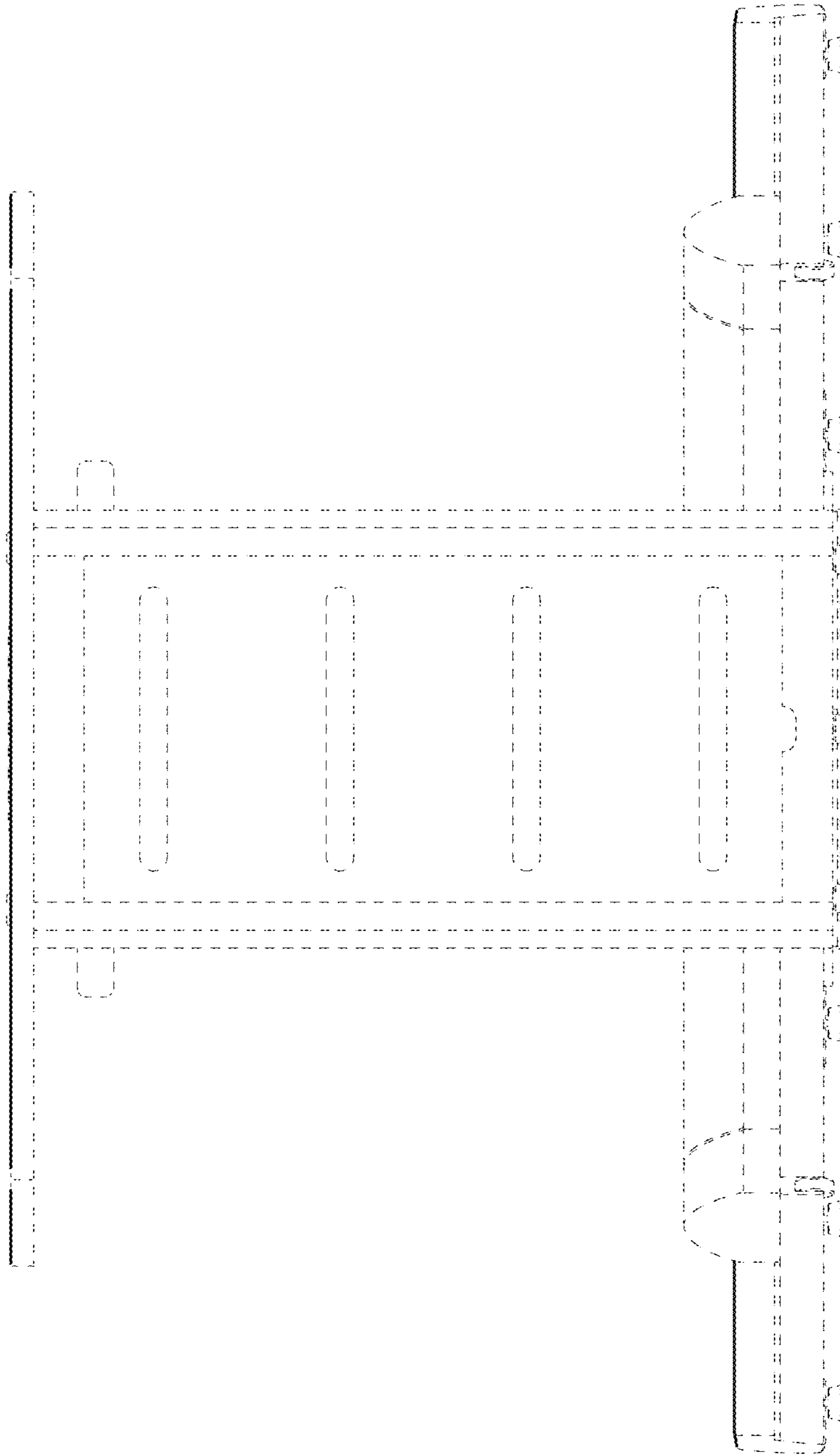


FIG. 5

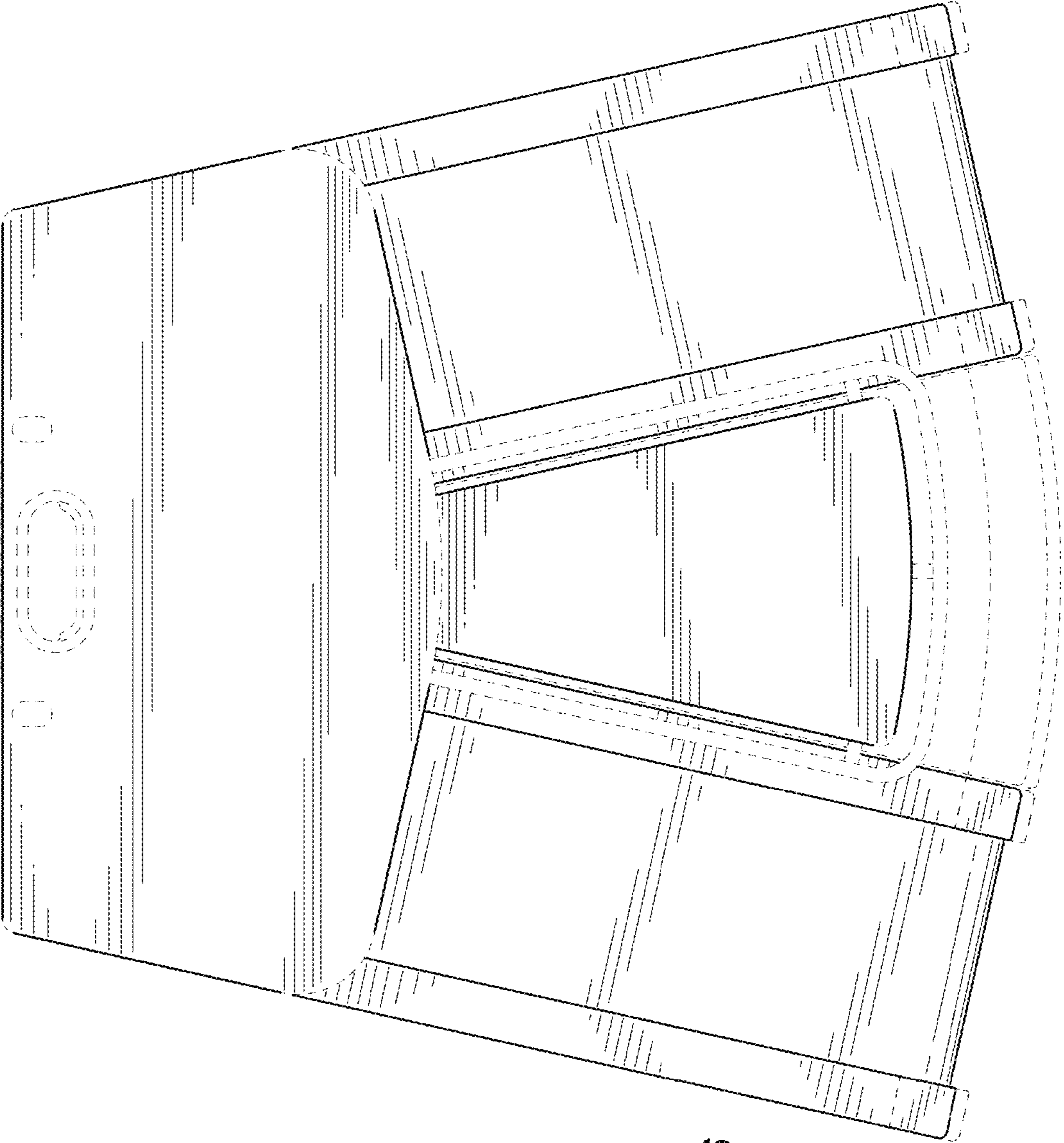


FIG. 6



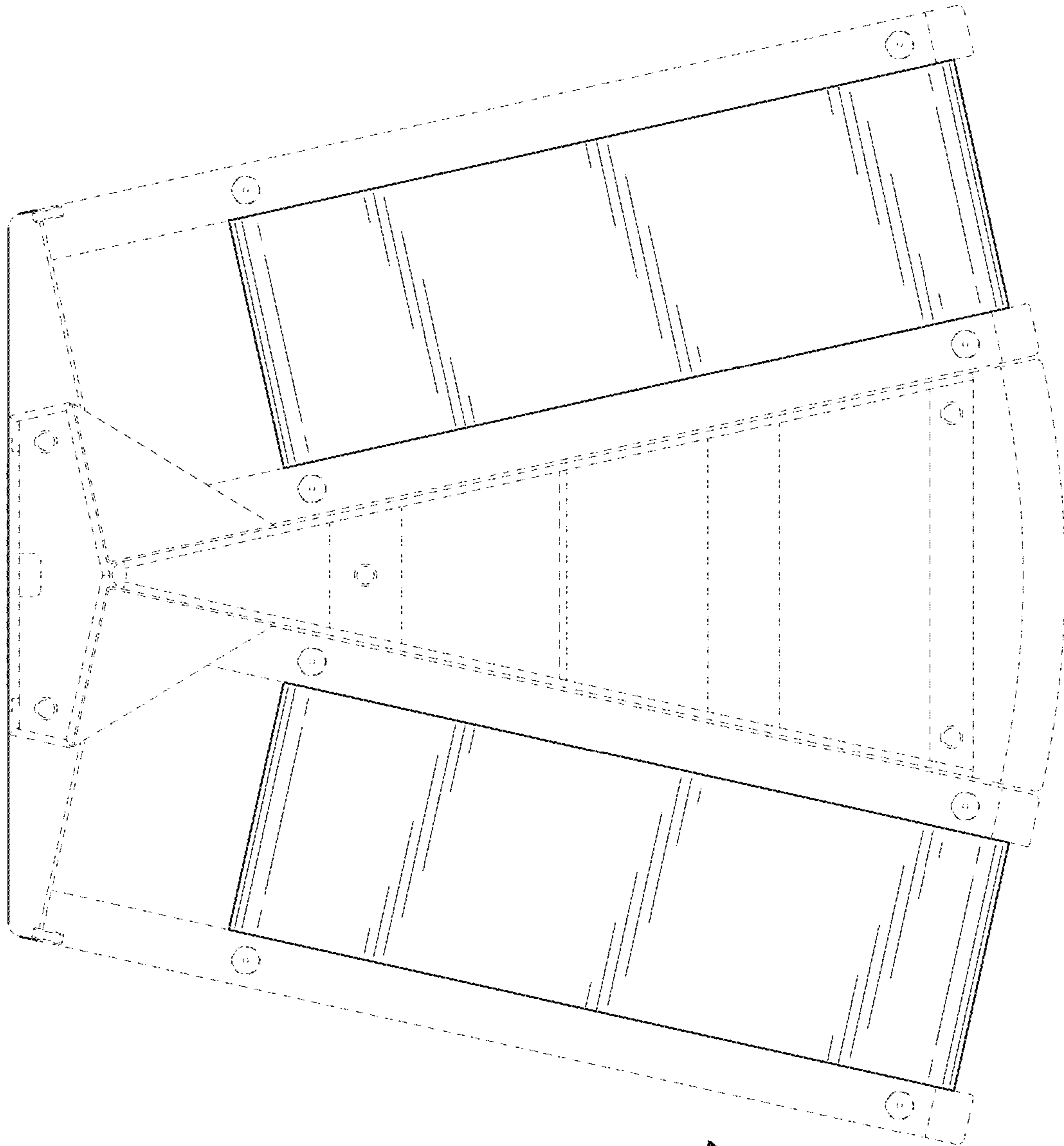


FIG. 7