



US00D770572S

(12) **United States Design Patent** (10) **Patent No.:** **US D770,572 S**
Caubel et al. (45) **Date of Patent:** **** Nov. 1, 2016**

(54) **FLYING TOY**
(71) Applicant: **Parrot Drones**, Paris (FR)
(72) Inventors: **Christine Caubel**, Paris (FR); **Flavien Morra**, Paris (FR); **Bertrand Vignau-Lous**, Paris (FR)
(73) Assignee: **PARROT DRONES**, Paris (FR)

D648,809 S 11/2011 Seydoux et al.
D659,771 S 5/2012 Seydoux et al.
D691,514 S 10/2013 Wang et al.
8,662,438 B2 3/2014 Savoye et al.
8,967,029 B1 3/2015 Calvert
9,061,763 B1 6/2015 Christensen et al.
9,099,902 B2 8/2015 Chen
D741,751 S 10/2015 Klaptocz et al.
2007/0105474 A1 5/2007 Gotou et al.

(Continued)

(**) Term: **15 Years**

(21) Appl. No.: **29/551,528**

(22) Filed: **Jan. 14, 2016**

Related U.S. Application Data

(62) Division of application No. 29/488,136, filed on Apr. 16, 2014.

(51) **LOC (10) Cl.** **21-01**

(52) **U.S. Cl.**
USPC **D21/441**

(58) **Field of Classification Search**
USPC D12/16.1, 19, 322, 323, 326, 327, 328,
D12/329, 330, 339, 341, 342, 343, 344;
D21/436, 438, 439, 440, 441, 446, 447,
D21/448, 449, 450, 453
CPC B64C 39/00; B64C 30/00; B64C 29/00;
B64C 5/06
See application file for complete search history.

(56) **References Cited**

U.S. PATENT DOCUMENTS

3,053,480 A 9/1962 Vanderlip
3,768,757 A 10/1973 Eickmann
5,082,079 A 1/1992 Lissaman et al.
6,260,796 B1 7/2001 Klingensmith
D628,658 S 12/2010 Wurm
D648,808 S 11/2011 Seydoux et al.

OTHER PUBLICATIONS

Parrot Drones on Parrot website downloaded from the Internet at:
<<http://www.parrot.com/usa/gallery/bebop-drone/>> (Nov. 12, 2015).

Primary Examiner — Robert M Spear
Assistant Examiner — Marissa J Cash

(74) *Attorney, Agent, or Firm* — Marshall, Gerstein & Borun LLP

(57) **CLAIM**

The ornamental design for a flying toy, as shown and described.

DESCRIPTION

FIG. 1 is a three-quarter front view of a flying toy that has the design.

FIG. 2 is a front view of the flying toy.

FIG. 3 is a rear view of the flying toy.

FIG. 4 is a left-side view of the flying toy.

FIG. 5 is a right-side view of the flying toy.

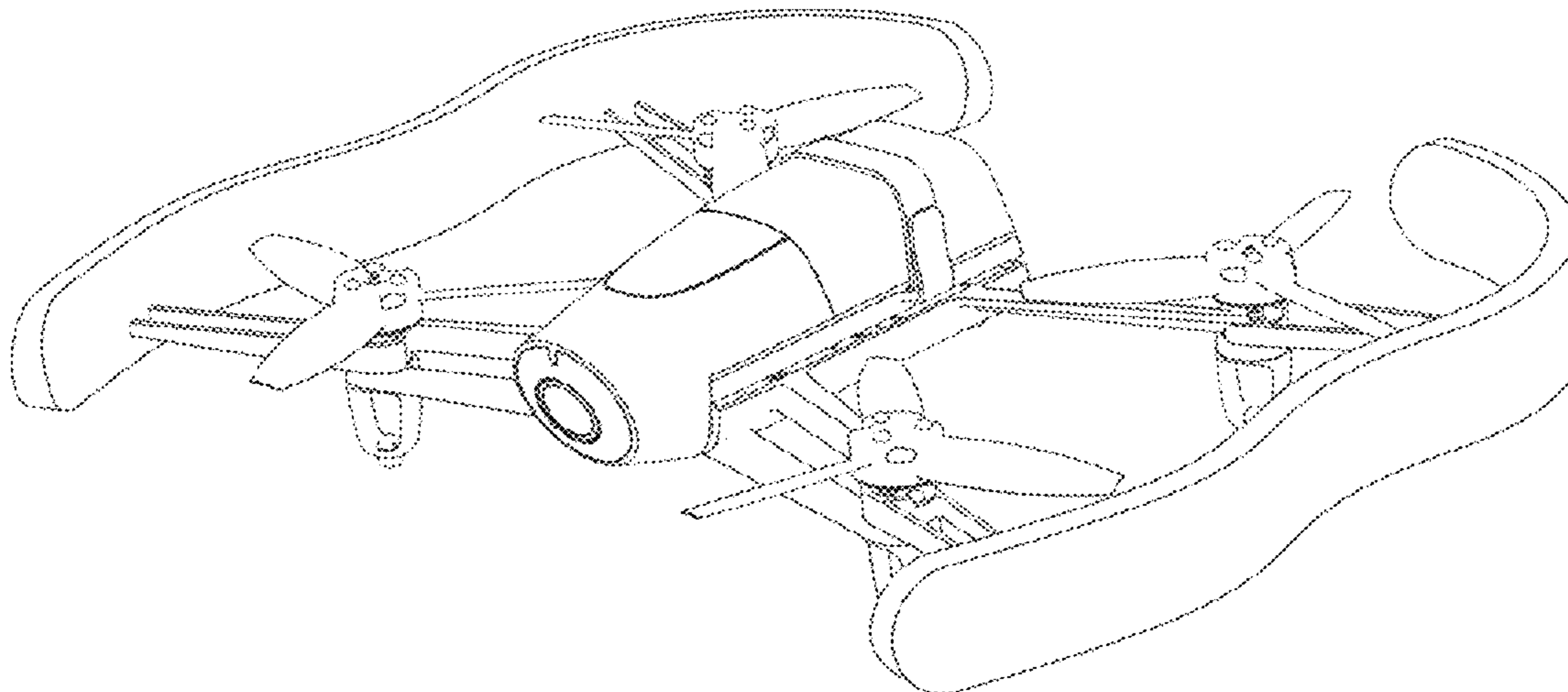
FIG. 6 is a top view of the flying toy; and,

FIG. 7 is a bottom view of the flying toy.

Any elements of the flying toy that are not clearly disclosed in the drawings are not part of the claimed design.

The broken lines in FIG. 7 show elements of the flying toy that form no part of the claimed design.

1 Claim, 4 Drawing Sheets



(56)

References Cited

U.S. PATENT DOCUMENTS

2010/0243794 A1 9/2010 Jermyn
2012/0056041 A1 3/2012 Rhee et al.
2012/0234969 A1 9/2012 Savoye et al.

2012/0241555 A1 9/2012 Savoye et al.
2015/0129711 A1 5/2015 Caubel
2015/0321759 A1 11/2015 Caubel et al.
2016/0068261 A1* 3/2016 Niederberger A47L 1/02
244/2

* cited by examiner

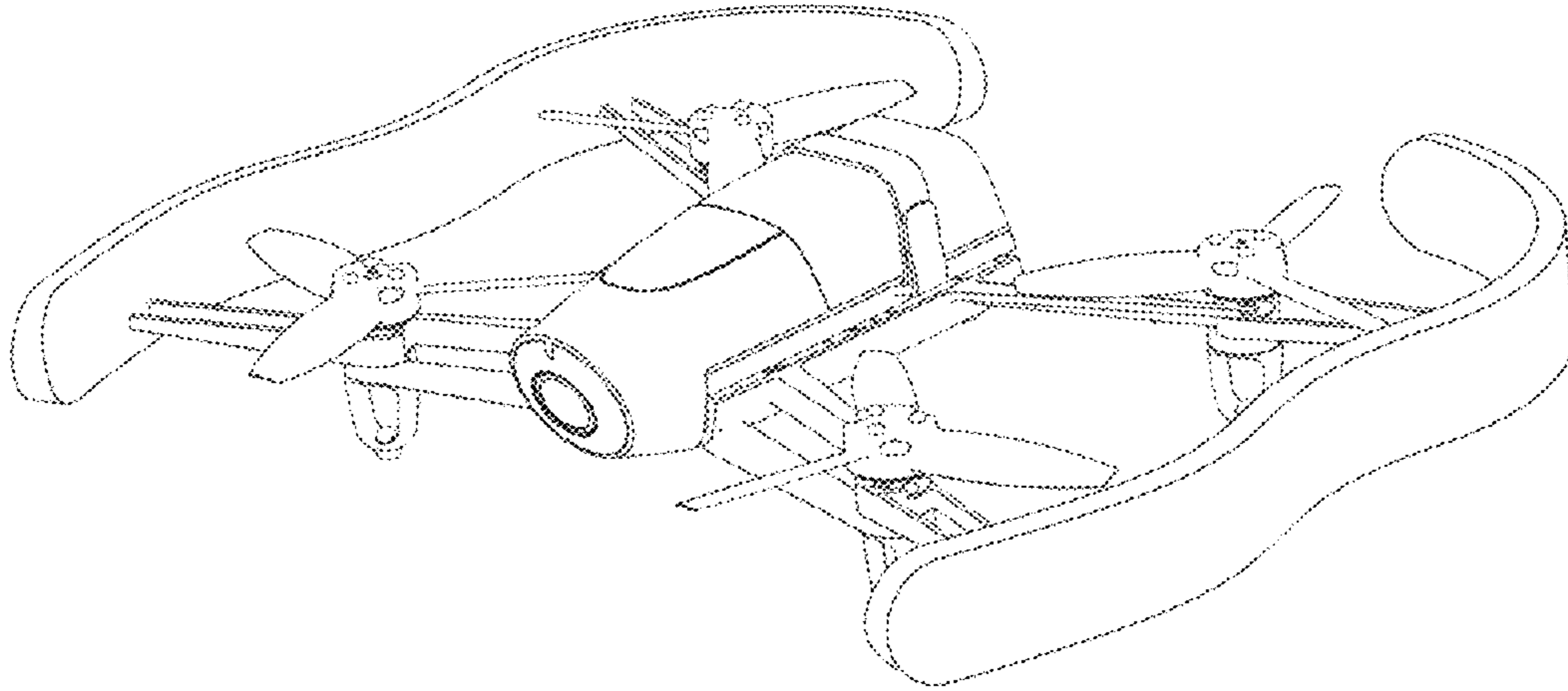


Fig. 1

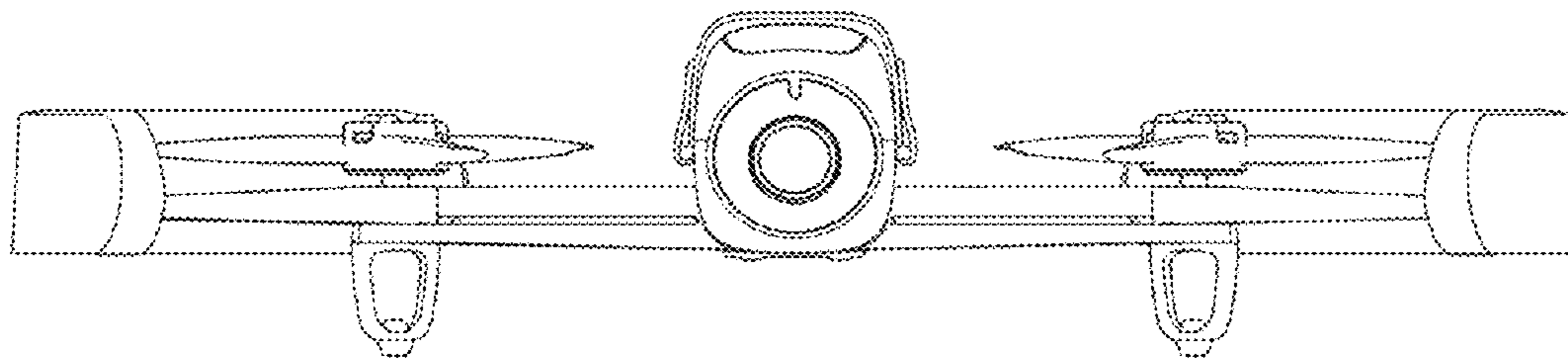


Fig. 2

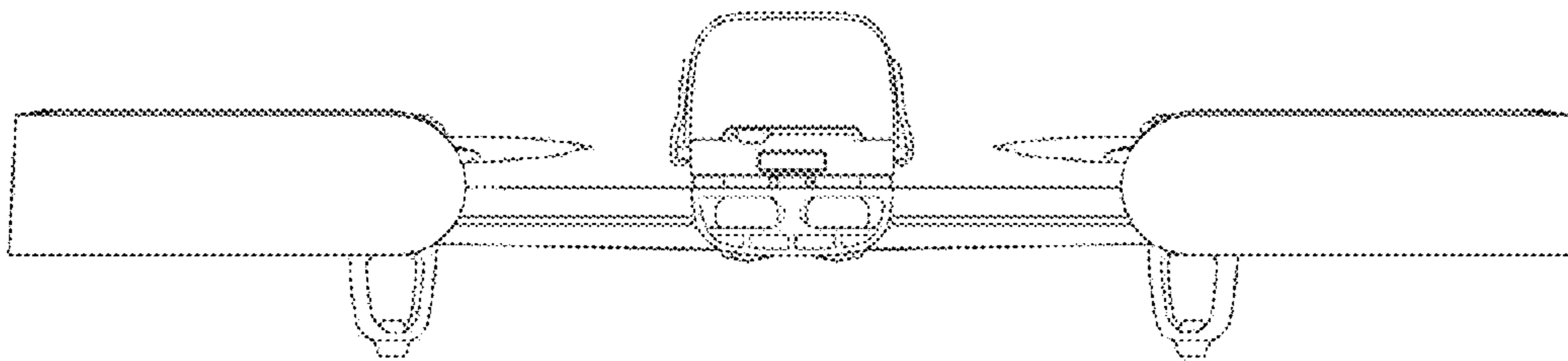


Fig. 3

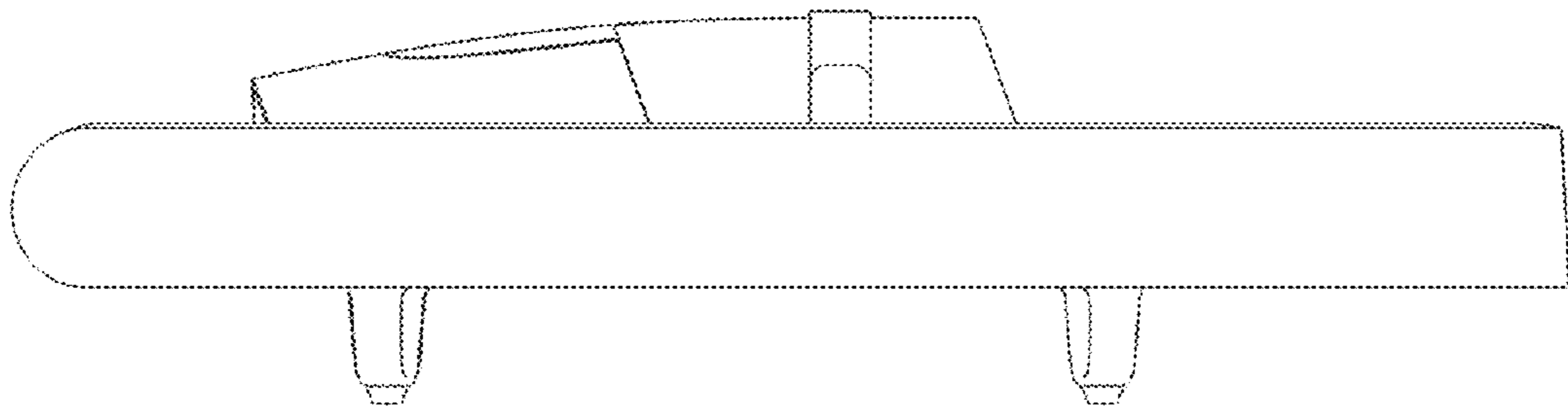


Fig. 4

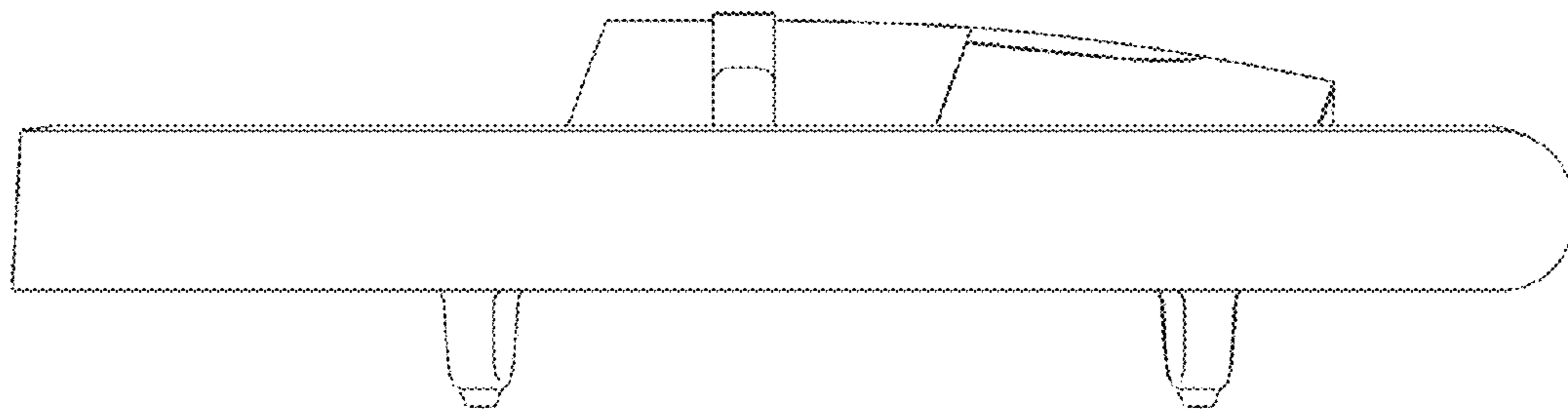


Fig. 5

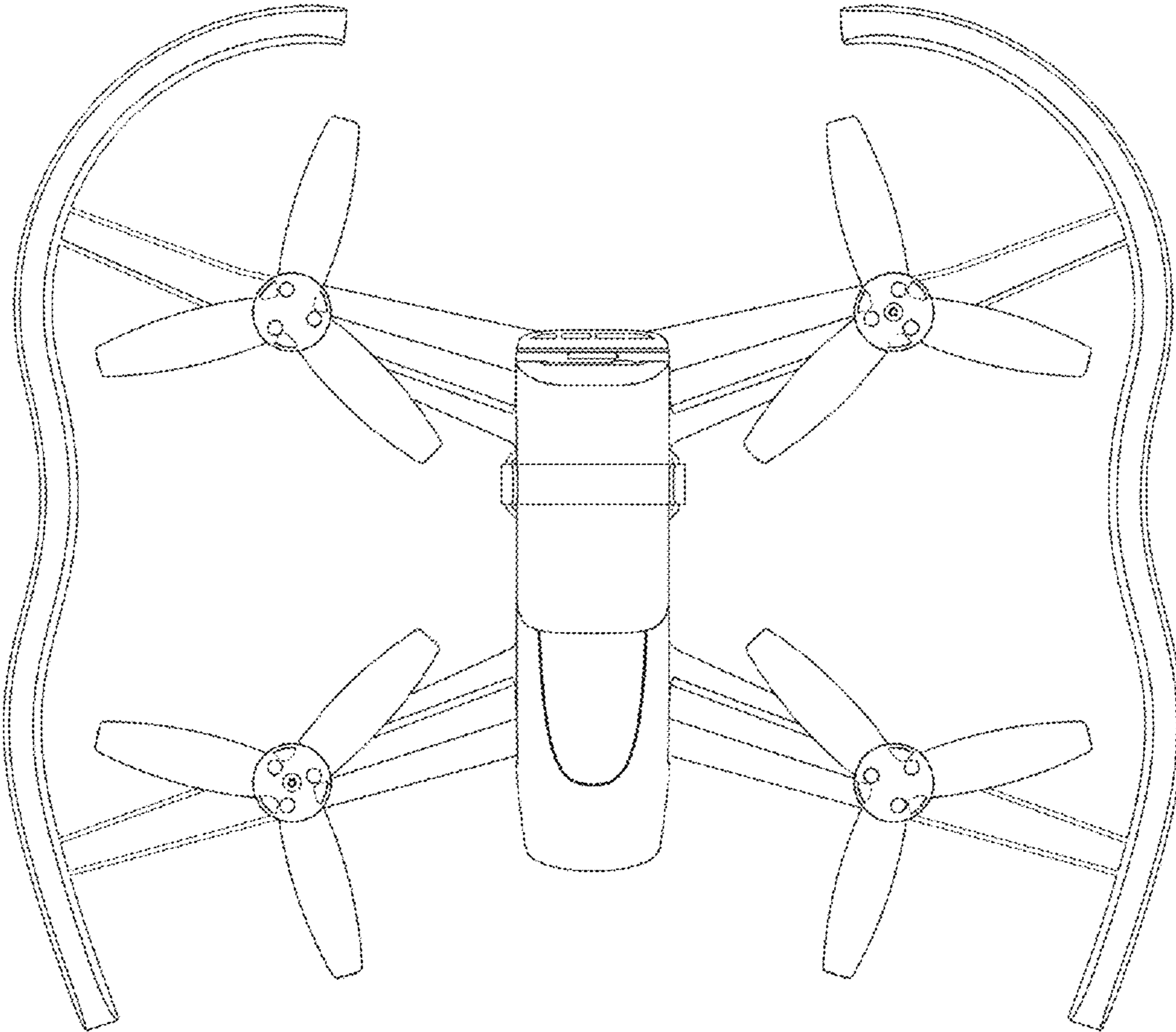


Fig. 6

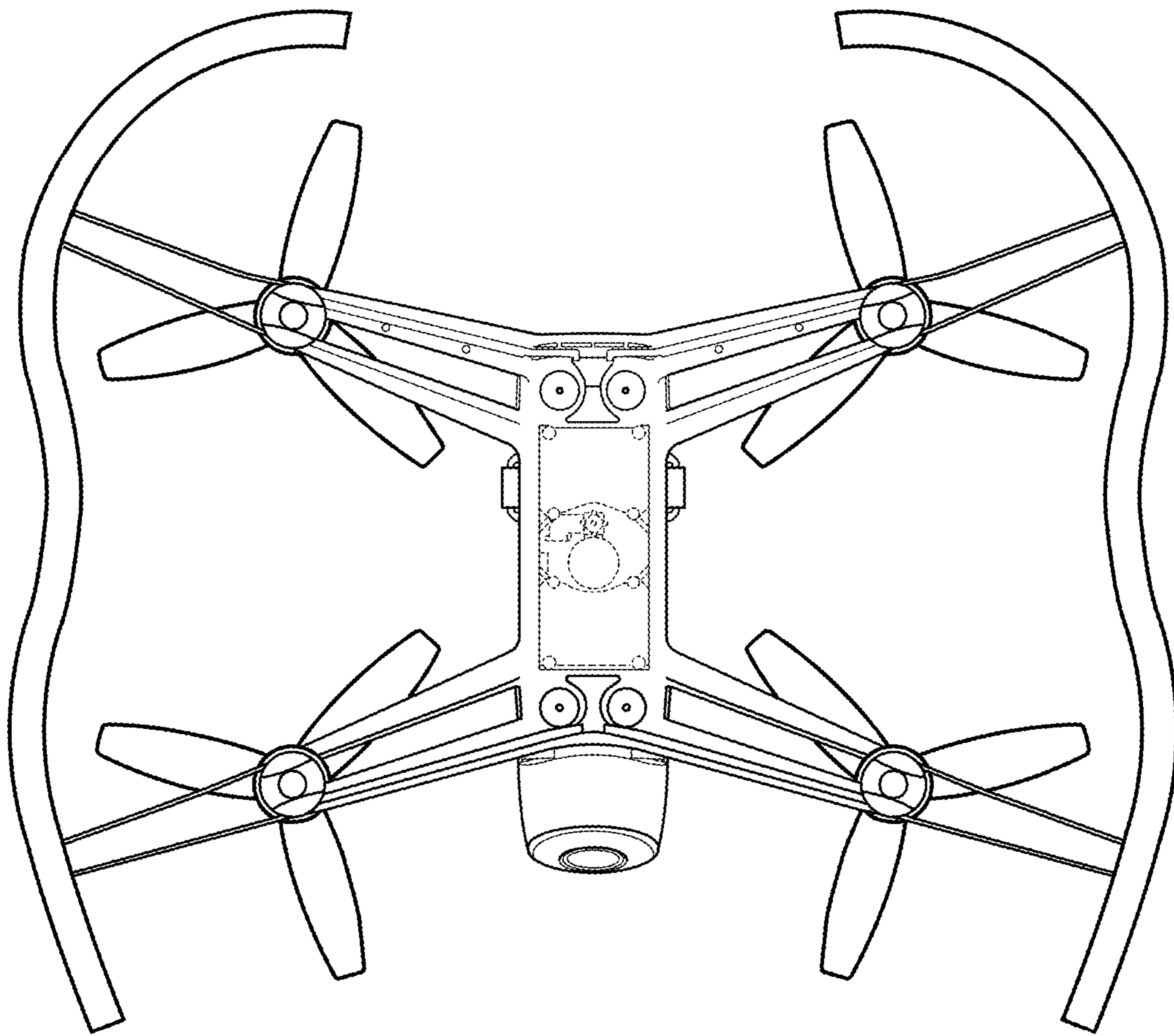


FIG. 7