

US00D770571S

(12) **United States Design Patent** (10) **Patent No.:** **US D770,571 S**
Rahnasto et al. (45) **Date of Patent:** **** Nov. 1, 2016**

(54) **EXERCISE EQUIPMENT**
(71) Applicant: **OLKICONTROL OY**, Vantaa (FI)
(72) Inventors: **Kirsi Rahnasto**, Vantaa (FI); **Olli Rahnasto**, Vantaa (FI)
(73) Assignee: **Olkicontrol Oy**, Vantaa (FI)
(**) Term: **15 Years**
(21) Appl. No.: **35/500,180**
(22) Filed: **Jul. 14, 2015**
(80) **Hague Agreement Data**
Int. Filing Date: **Jul. 14, 2015**
Int. Reg. No.: **DM/087654**
Int. Reg. Date: **Jul. 14, 2015**
Int. Reg. Pub. Date: **Oct. 9, 2015**

(30) **Foreign Application Priority Data**
Jan. 14, 2015 (EM) 001428585-0001
(51) **LOC (10) Cl.** **21-02**
(52) **U.S. Cl.**
USPC **D21/423**
CPC **B62K 5/00** (2013.01)
(58) **Field of Classification Search**
USPC D21/419-426, 760-769, 771, 803;
280/14.25, 14.26, 87.041, 87.042,
280/87.05, 263, 288.1-288.4, 200, 214,
280/809; 180/180, 181; 482/51-53, 79-80,
482/140-142, 148
CPC B62K 5/00; B62K 5/02; B62K 19/00
See application file for complete search history.

(56) **References Cited**
U.S. PATENT DOCUMENTS
D210,087 S * 2/1968 Higgins et al. D21/423
D250,610 S * 12/1978 Wynn D21/423

4,179,134 A * 12/1979 Atkinson A63C 17/01
188/29
D266,100 S * 9/1982 Miller D21/426
D292,300 S * 10/1987 Phinney D21/435
4,707,884 A * 11/1987 Chang A63C 17/01
16/325
4,732,400 A * 3/1988 Santini A63C 17/01
280/87.042
4,775,162 A * 10/1988 Chao A63C 17/01
280/267
4,811,971 A * 3/1989 Phillips A63C 17/01
280/87.041
4,886,297 A * 12/1989 Levine A63C 17/0006
16/422
D326,687 S * 6/1992 Miller D21/423
D421,282 S * 2/2000 Orr D21/423
D444,184 S * 6/2001 Kettler D21/423
D446,264 S * 8/2001 Fischer D21/662
D451,162 S * 11/2001 Spiers D21/423
D456,047 S * 4/2002 Mandic D21/423
6,520,516 B2 * 2/2003 Favorito A63C 17/01
280/87.042
D514,186 S * 1/2006 Hazlett D21/765
D518,533 S * 4/2006 van der Meer D21/662
D567,887 S * 4/2008 Deluise D21/662
D569,448 S * 5/2008 Sramek D21/423
D575,352 S * 8/2008 Sramek D21/423
D601,643 S * 10/2009 Byle D21/662

(Continued)

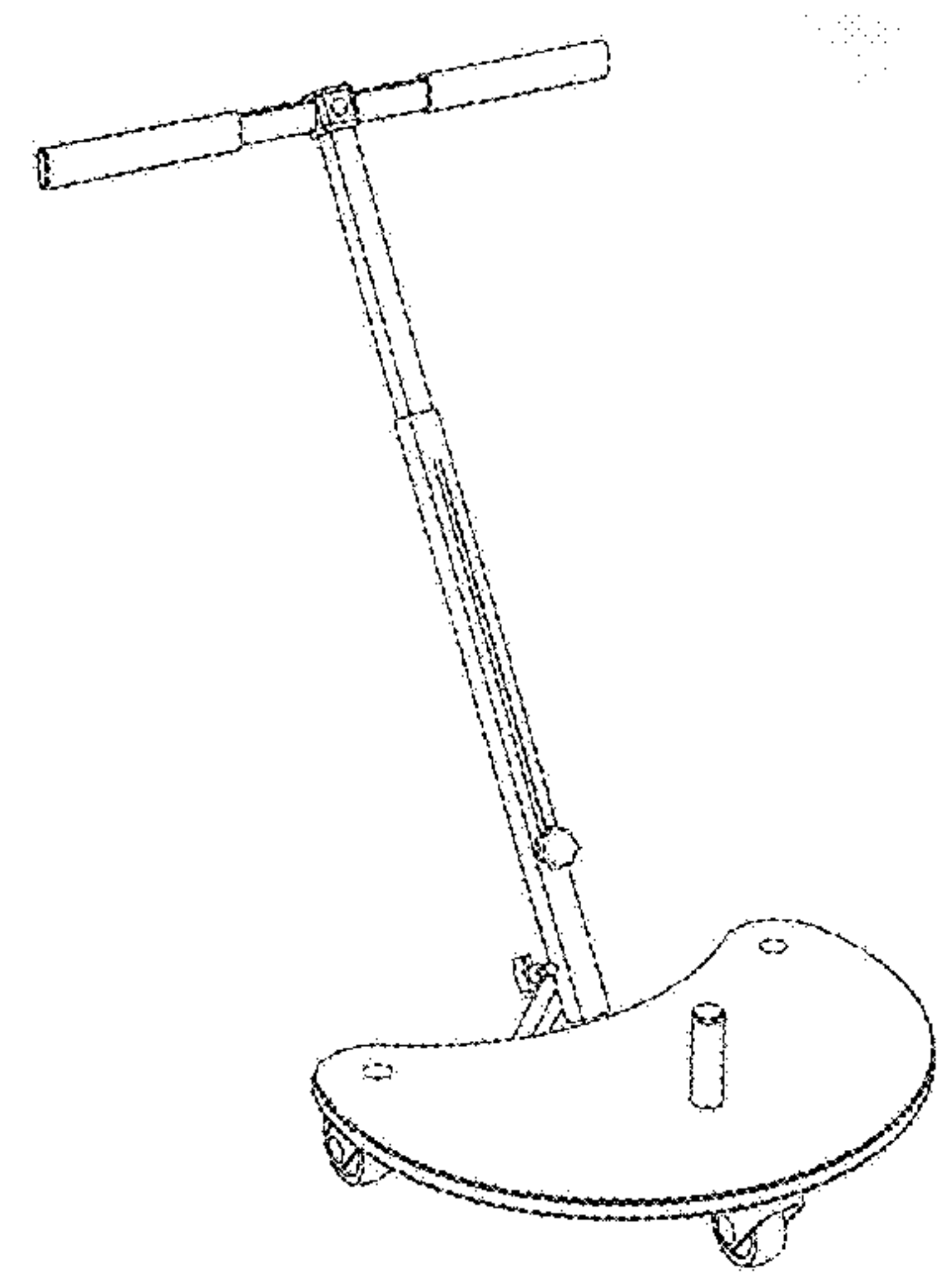
Primary Examiner — Richard E Chilcot
(74) *Attorney, Agent, or Firm* — Banner & Witcoff, Ltd.

(57) **CLAIM**
The ornamental design for an exercise equipment, as shown and described.

DESCRIPTION

- 1. Exercise equipment
- 1.1 : Perspective front view
- 1.2 : Top plan view
- 1.3 : Perspective rear view
- 1.4 : Bottom view
- 1.5 : Left side view
- 1.6 : Front view
- 1.7 : Perspective front view in other position

1 Claim, 7 Drawing Sheets



(56)

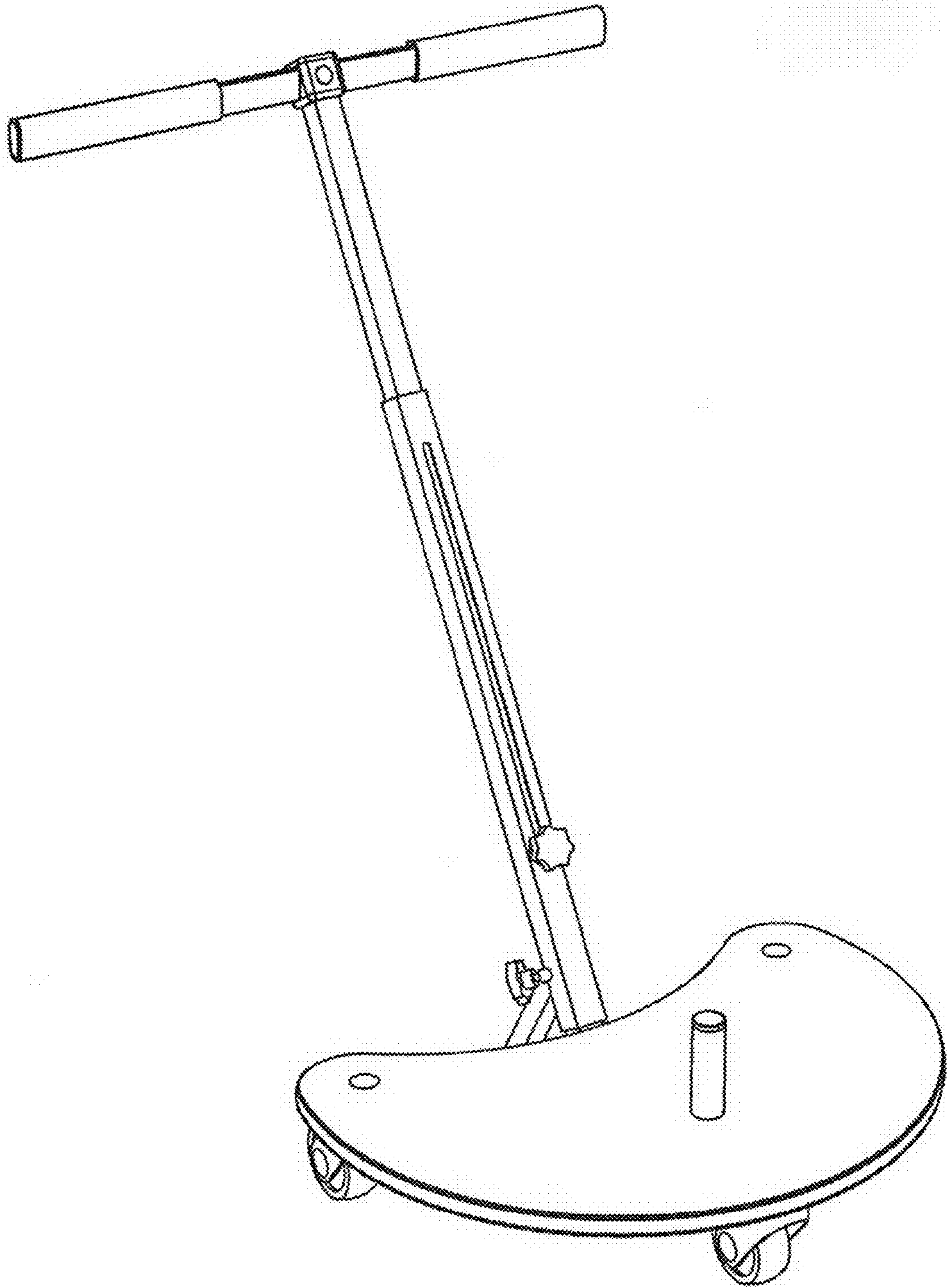
References Cited

U.S. PATENT DOCUMENTS

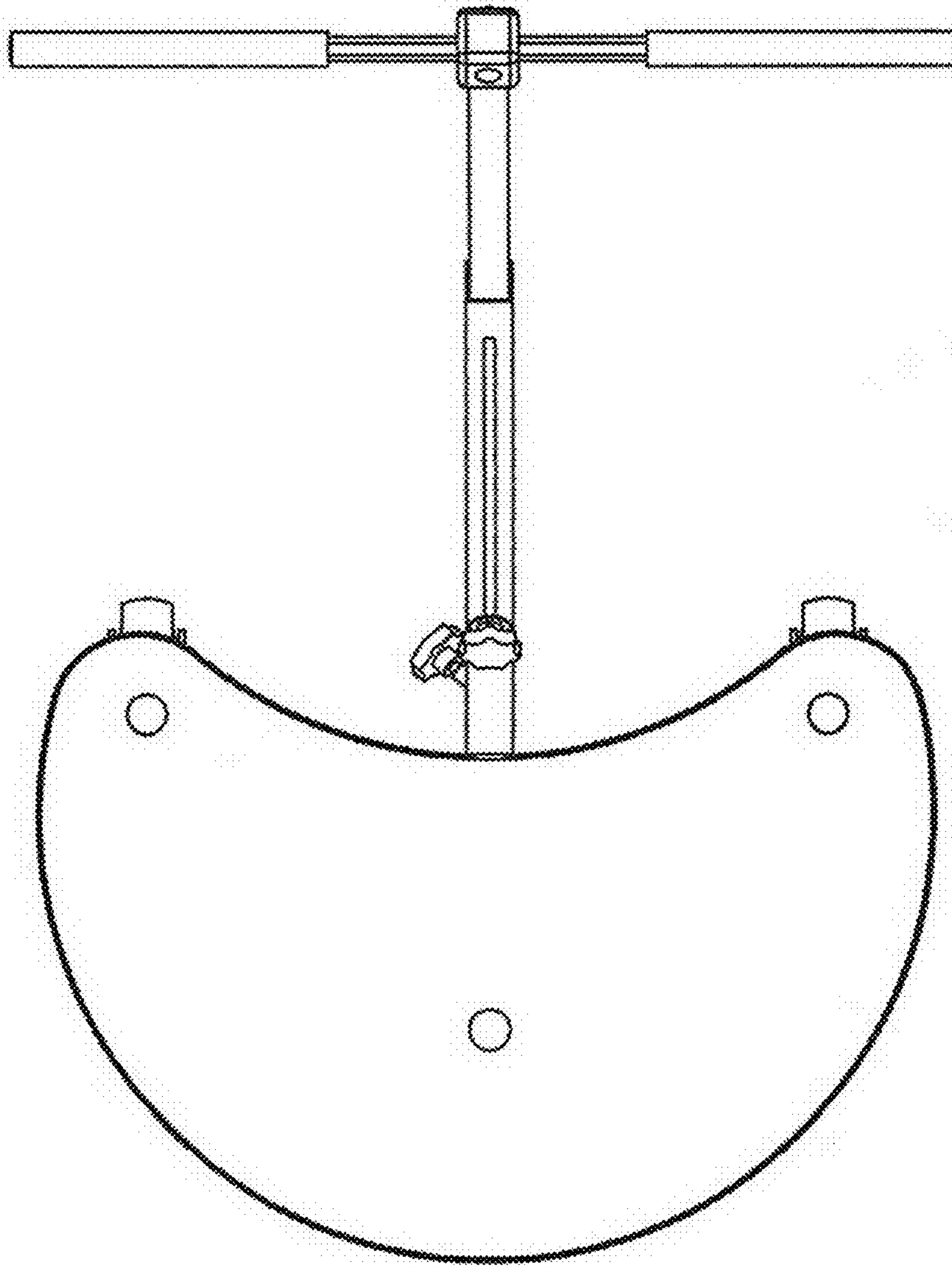
| | | | | | | | | | |
|----------------|---------|-----------|-------|--------------|--|--|--|--|--|
| 7,681,895 B2 * | 3/2010 | Chen | | B62K 3/002 | | | | | |
| | | | | 280/23.1 | | | | | |
| D634,377 S * | 3/2011 | Byle | | D21/662 | | | | | |
| D638,493 S * | 5/2011 | Scolari | | D21/423 | | | | | |
| D638,496 S * | 5/2011 | Scolari | | D21/423 | | | | | |
| D641,799 S * | 7/2011 | Groeber | | D21/423 | | | | | |
| 8,052,583 B1 * | 11/2011 | Tsai | | A63B 21/4047 | | | | | |
| | | | | 482/132 | | | | | |
| D653,714 S * | 2/2012 | Meininger | | D21/662 | | | | | |
| D656,203 S * | 3/2012 | Chan | | D21/423 | | | | | |
| D665,856 S * | 8/2012 | Scolari | | D21/423 | | | | | |
| D665,857 S * | 8/2012 | Scolari | | D21/423 | | | | | |
| D668,304 S * | 10/2012 | Hill | | D21/662 | | | | | |
| D695,364 S * | 12/2013 | Khalil | | D21/662 | | | | | |
| D717,377 S * | 11/2014 | Orenstein | | D21/419 | | | | | |
| D738,969 S * | 9/2015 | Smith | | D21/662 | | | | | |
| D739,900 S * | 9/2015 | Smith | | D21/662 | | | | | |

* cited by examiner

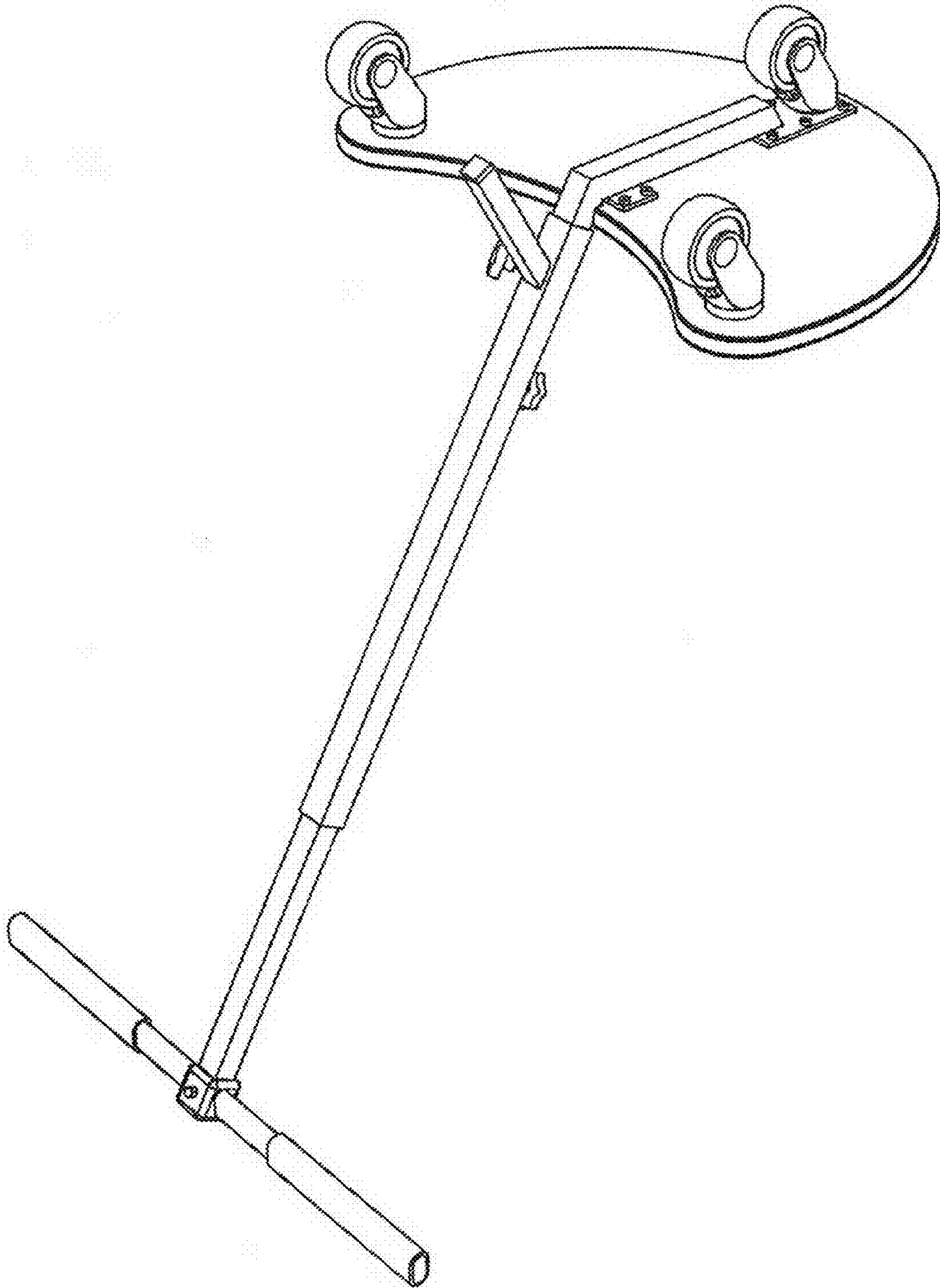
1.1



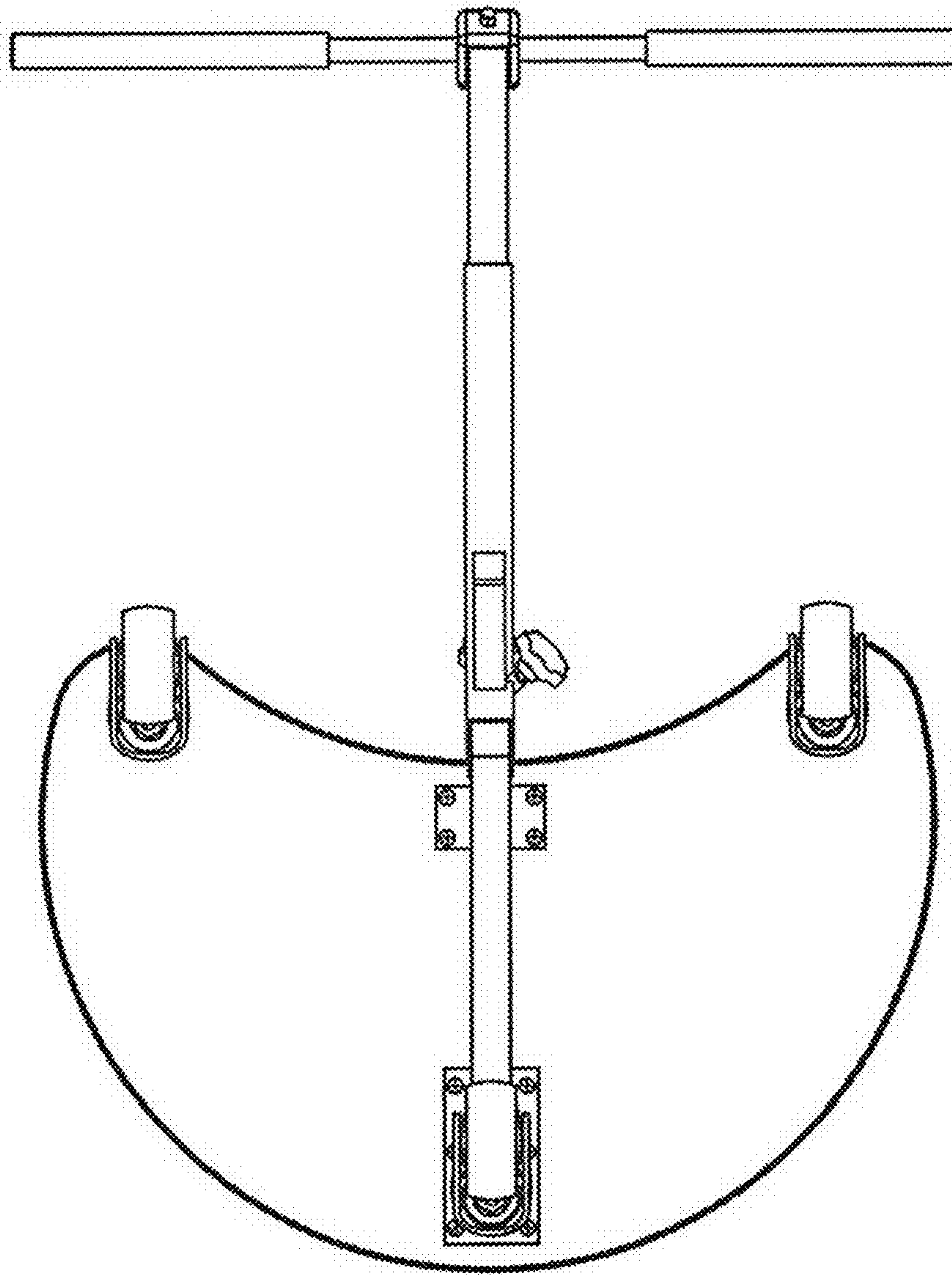
1.2



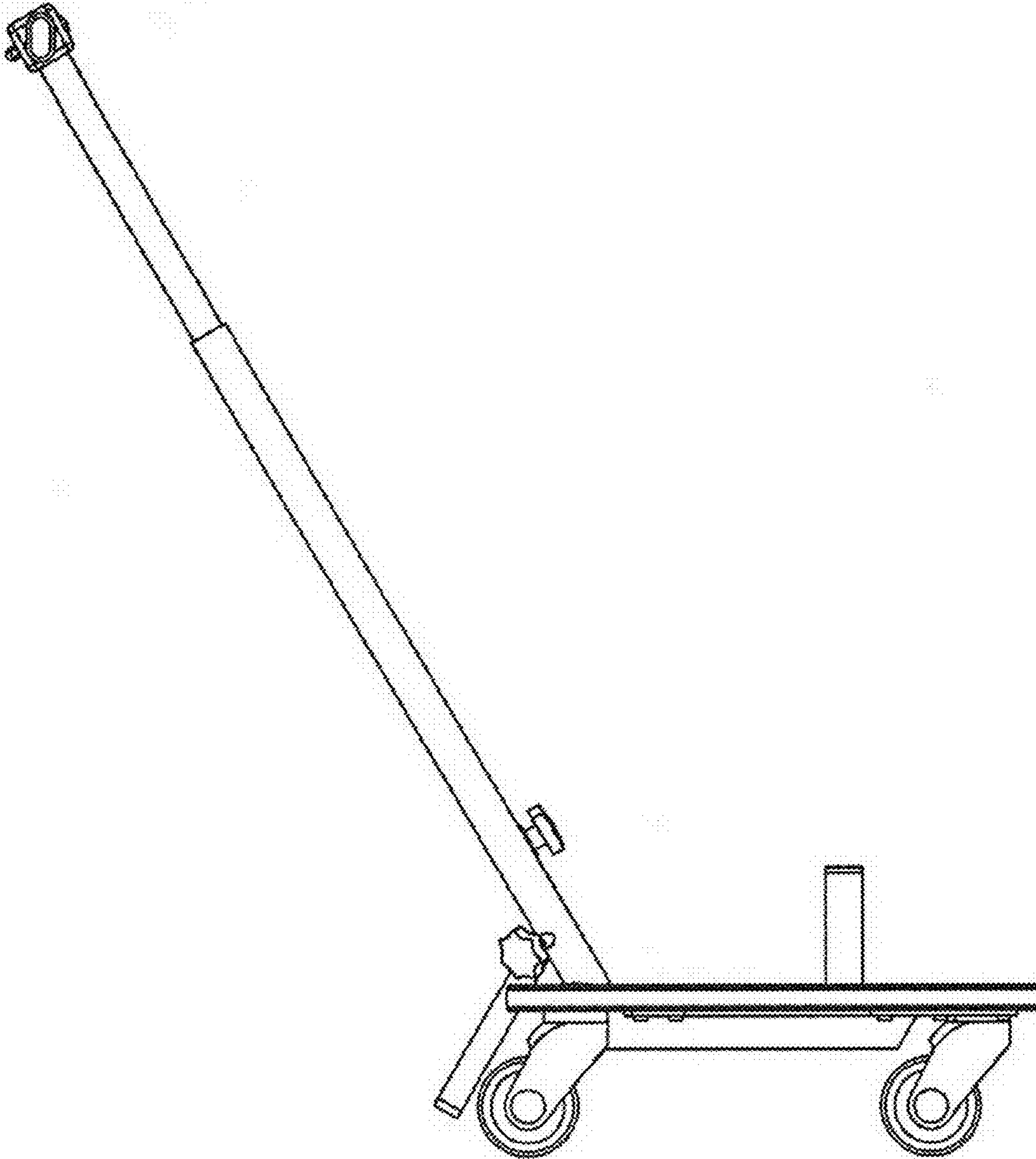
1.3



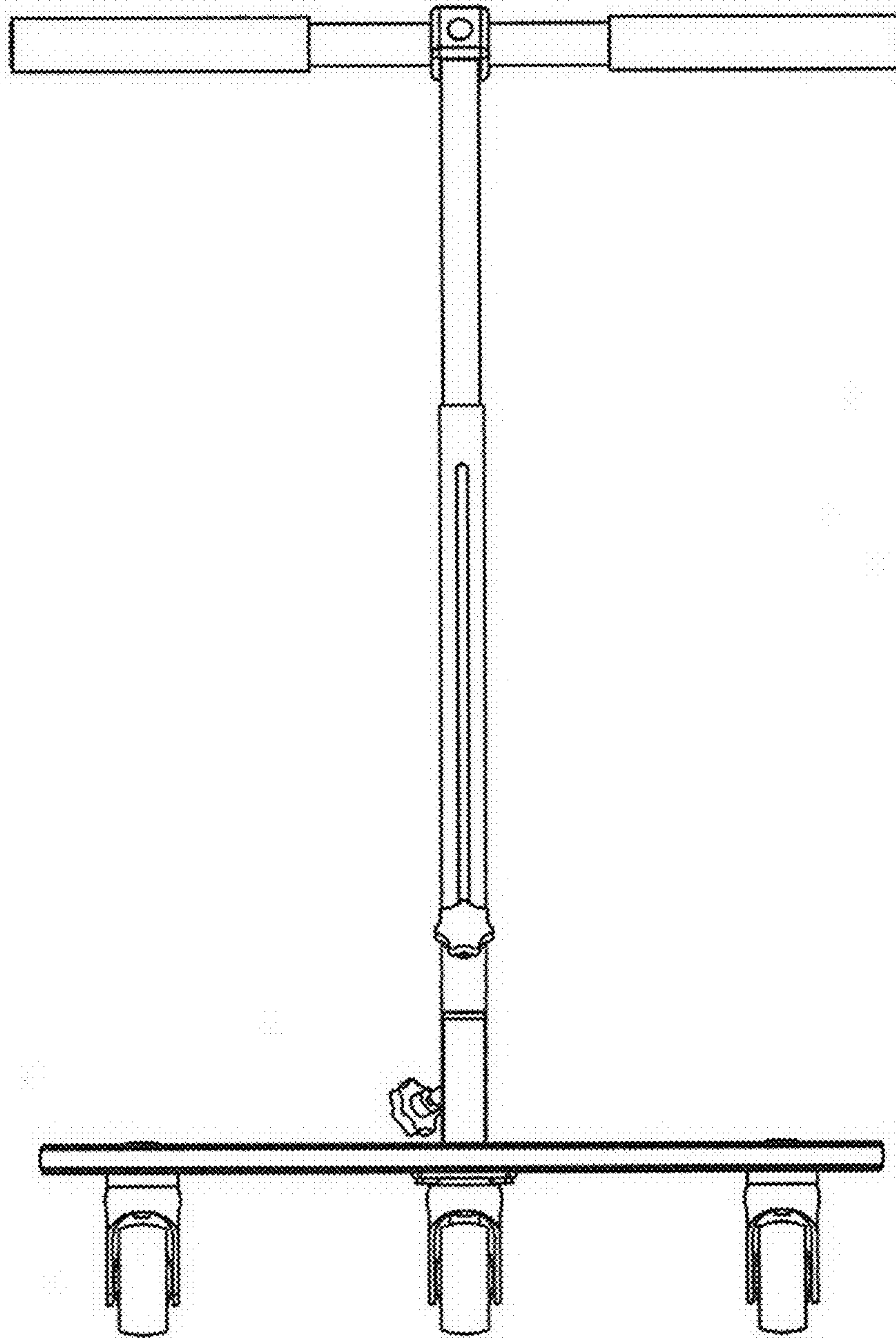
1.4



1.5



1.6



1.7

