



US00D770570S

(12) **United States Design Patent** (10) **Patent No.:** **US D770,570 S**
Stambler (45) **Date of Patent:** **** Nov. 1, 2016**

(54) **SLOT MACHINE CARD HOLDER**

(71) Applicant: **Kenneth Stambler**, Oklahoma City, OK (US)

(72) Inventor: **Kenneth Stambler**, Oklahoma City, OK (US)

(**) Term: **15 Years**

(21) Appl. No.: **29/549,957**

(22) Filed: **Dec. 29, 2015**

(51) **LOC (10) Cl.** **21-01**

(52) **U.S. Cl.**
USPC **D21/392**

(58) **Field of Classification Search**
USPC D21/369-370, 374-375, 385, 392-396;
D3/207-208, 211, 215, 247-249, 270,
D3/318-319, 328; D11/79, 81, 201,
D11/215-218, 238; 273/148 A; 150/147;
463/46-47

CPC A44C 11/00; A44C 25/00; A45C 11/182
See application file for complete search history.

D570,420 S 6/2008 Brookins
D592,939 S * 5/2009 Kelleghan D8/356
D595,119 S * 6/2009 Kelleghan D8/356
D626,184 S 10/2010 Stambler
D636,823 S * 4/2011 Stambler D21/394
D665,854 S 8/2012 Brookins
D665,855 S * 8/2012 Brookins D21/370
D692,063 S * 10/2013 Stambler D21/370
D738,959 S * 9/2015 Cubbage D21/370

OTHER PUBLICATIONS

Win Big Bungee. Products Page [online]. Casion Specialties, 2016 [retrieved on Aug. 29, 2016]. Retrieved from the internet: <URL: <http://www.casinospecialties.com/products.html>>.*

* cited by examiner

Primary Examiner — George D Kirschbaum
(74) *Attorney, Agent, or Firm* — Eric Kelly

(57) **CLAIM**

The ornamental design for a slot machine card holder, as shown and described.

DESCRIPTION

FIG. 1 illustrates a perspective view of the ornamental slot machine card holder.

FIG. 2 illustrates a front view thereof.

FIG. 3 illustrates a back view thereof.

FIG. 4 illustrates a left-side view thereof.

FIG. 5 illustrates a right-side view thereof.

FIG. 6 illustrates a top view thereof; and,

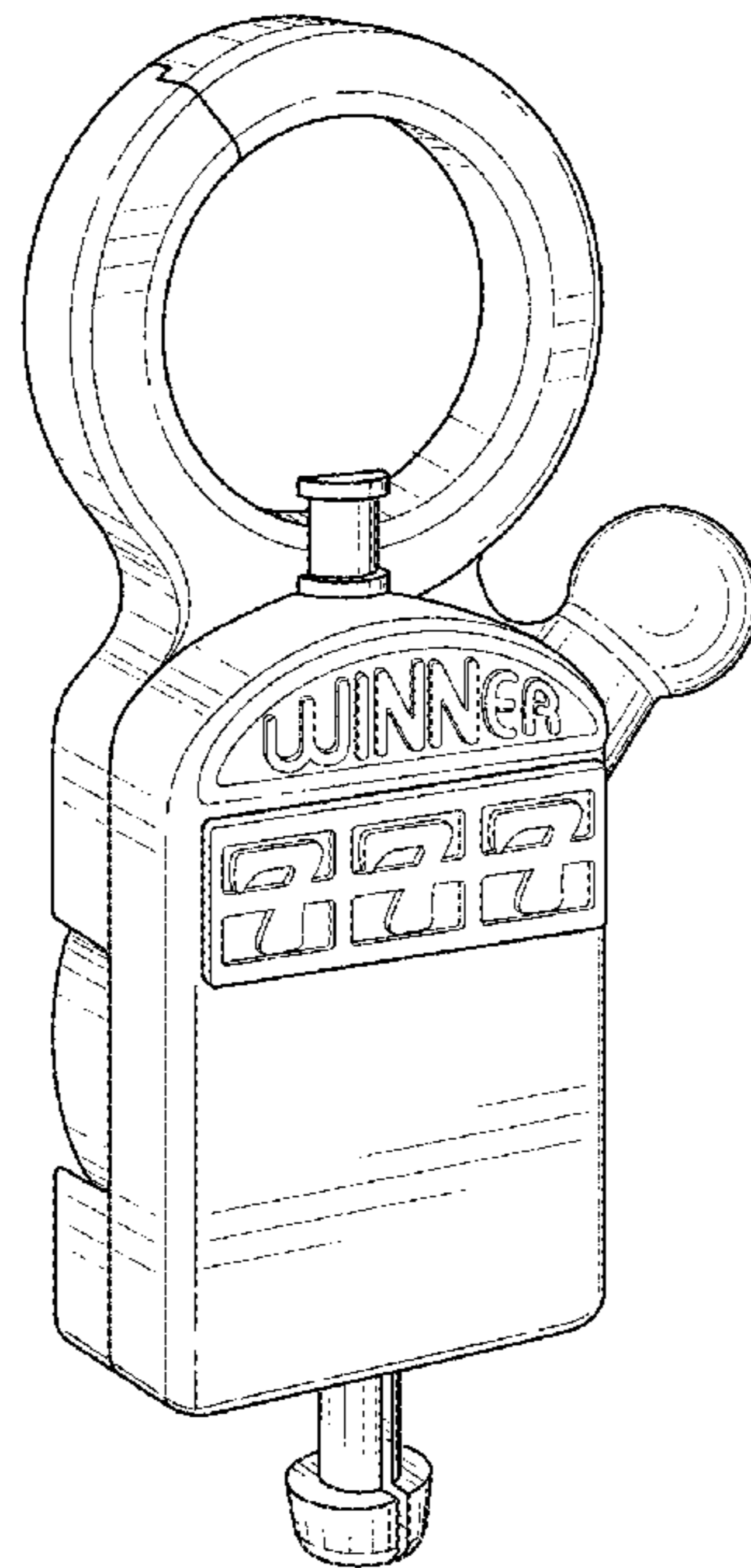
FIG. 7 illustrates a bottom view thereof.

1 Claim, 5 Drawing Sheets

(56) **References Cited**

U.S. PATENT DOCUMENTS

D132,764 S 6/1942 La Verde
D361,516 S 8/1995 Peersmann
D366,359 S 1/1996 Riedl
5,560,603 A 10/1996 Seelig
5,590,880 A 1/1997 Flam
D464,998 S 10/2002 Brookins
D486,531 S 2/2004 Brookins
D512,106 S 11/2005 Brookins
D536,741 S 2/2007 Brookins



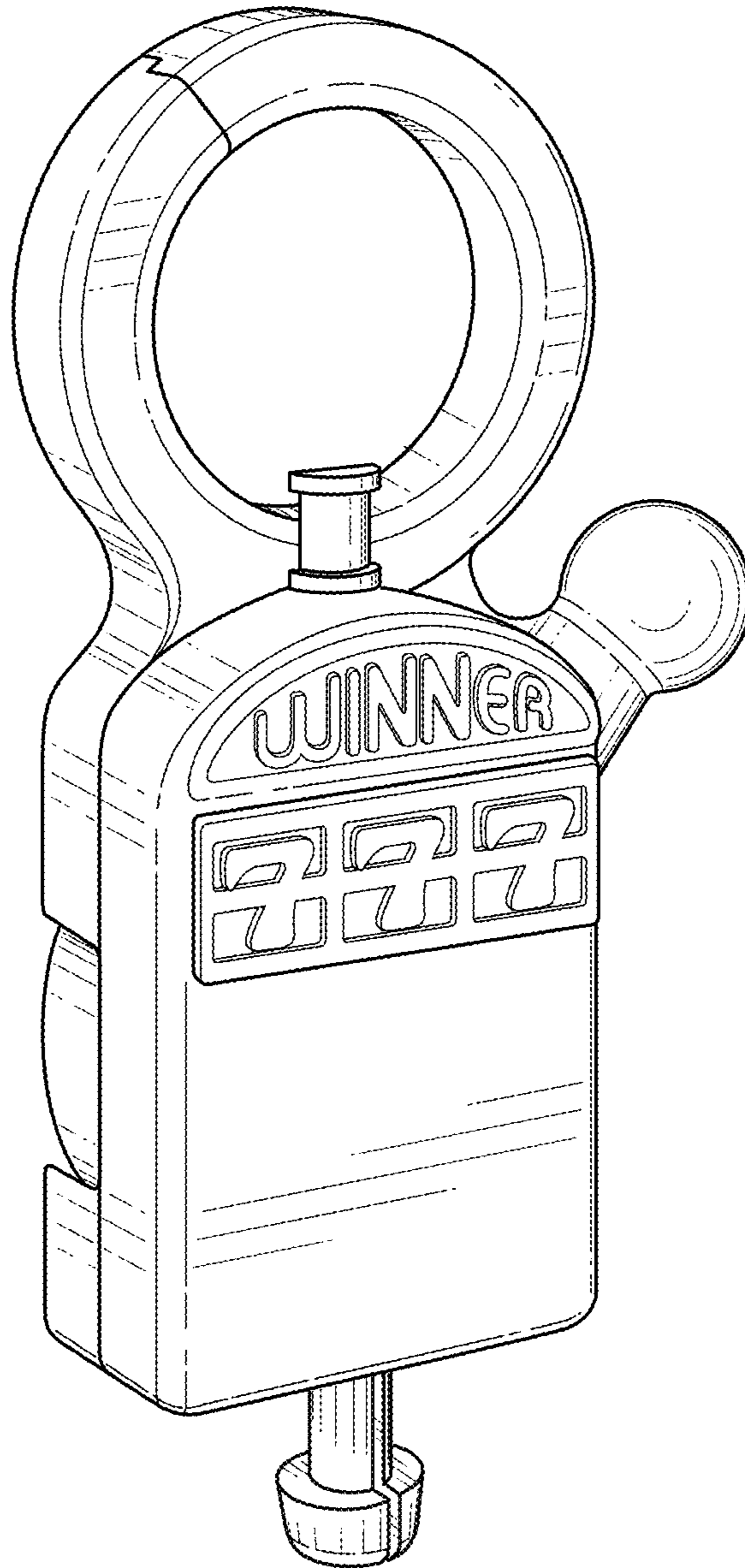


FIG. 1

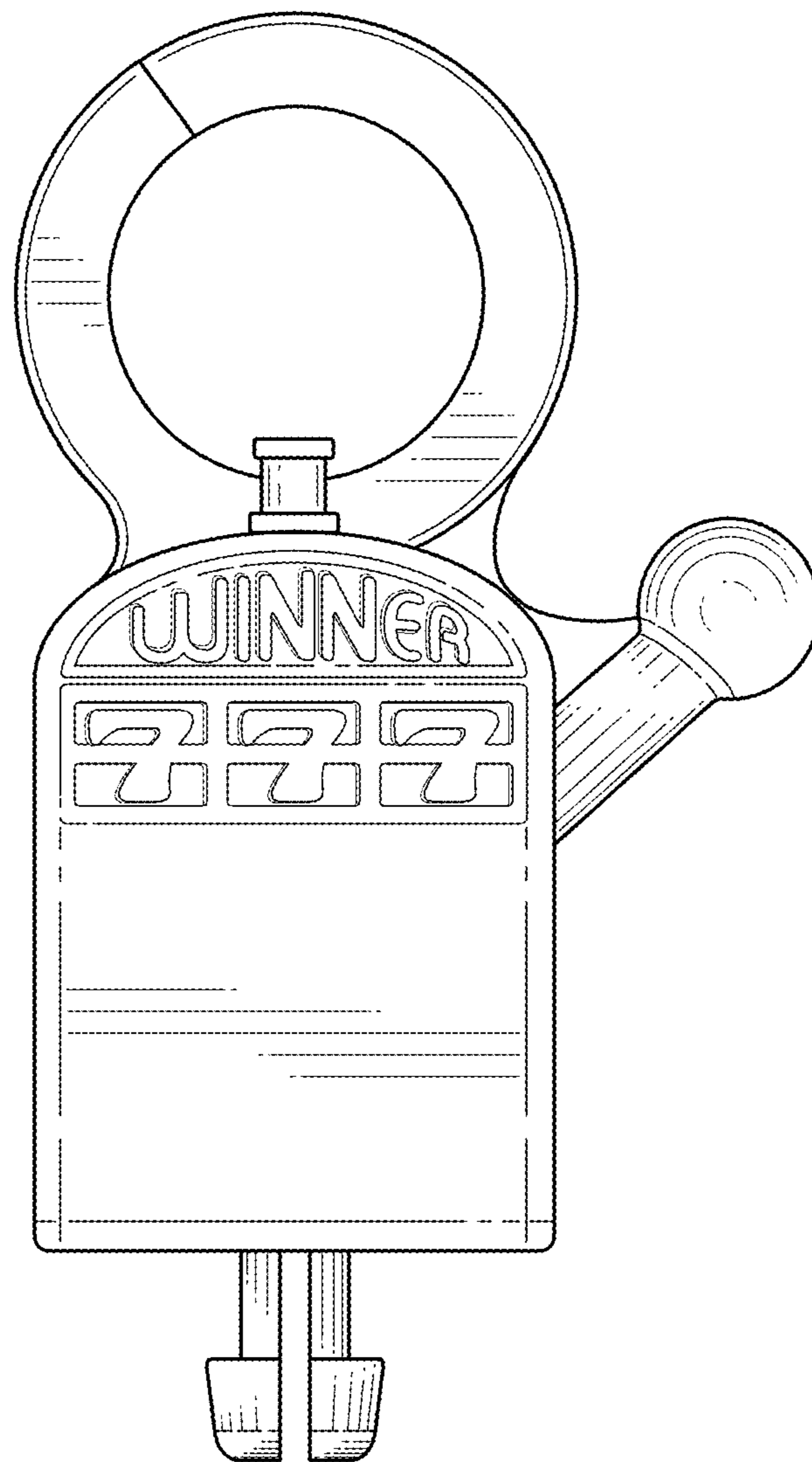


FIG. 2

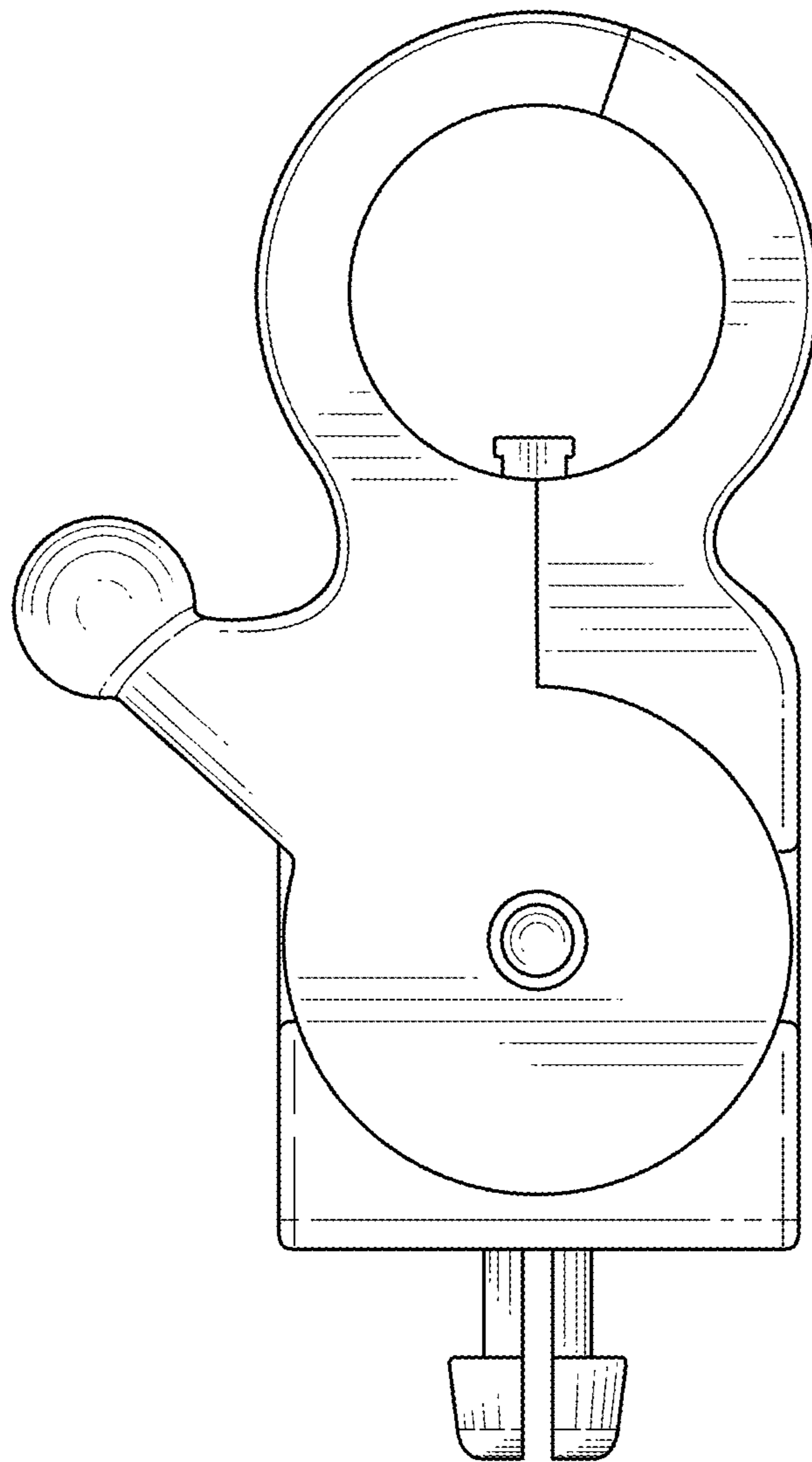


FIG. 3

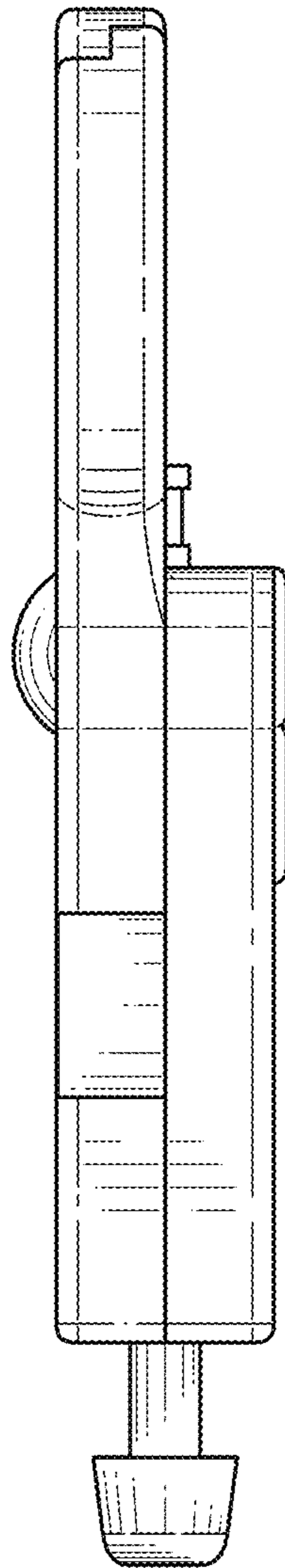


FIG. 4

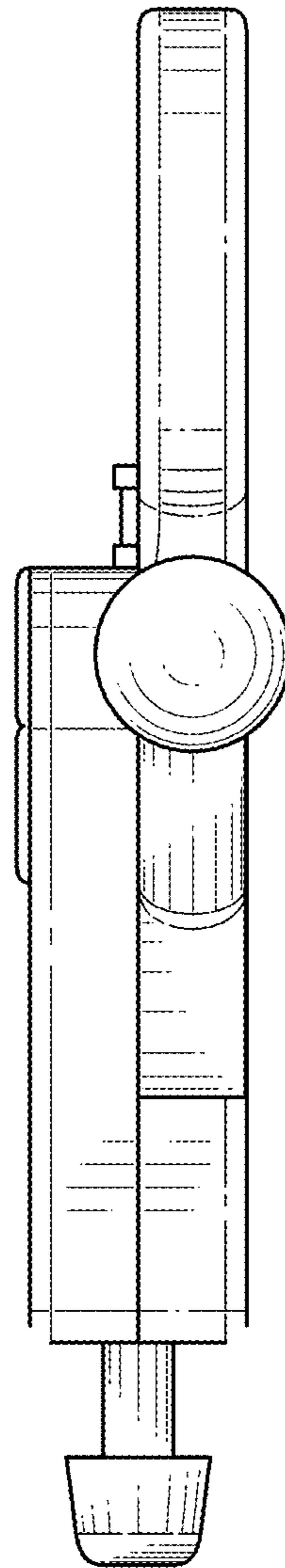


FIG. 5

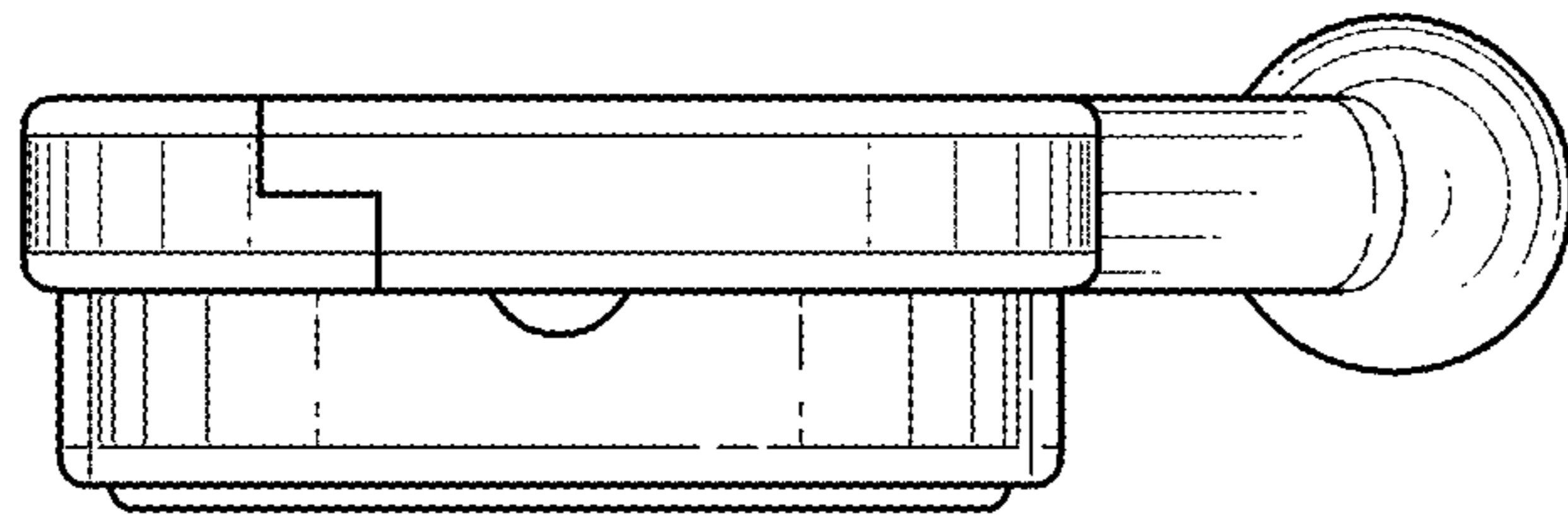


FIG. 6

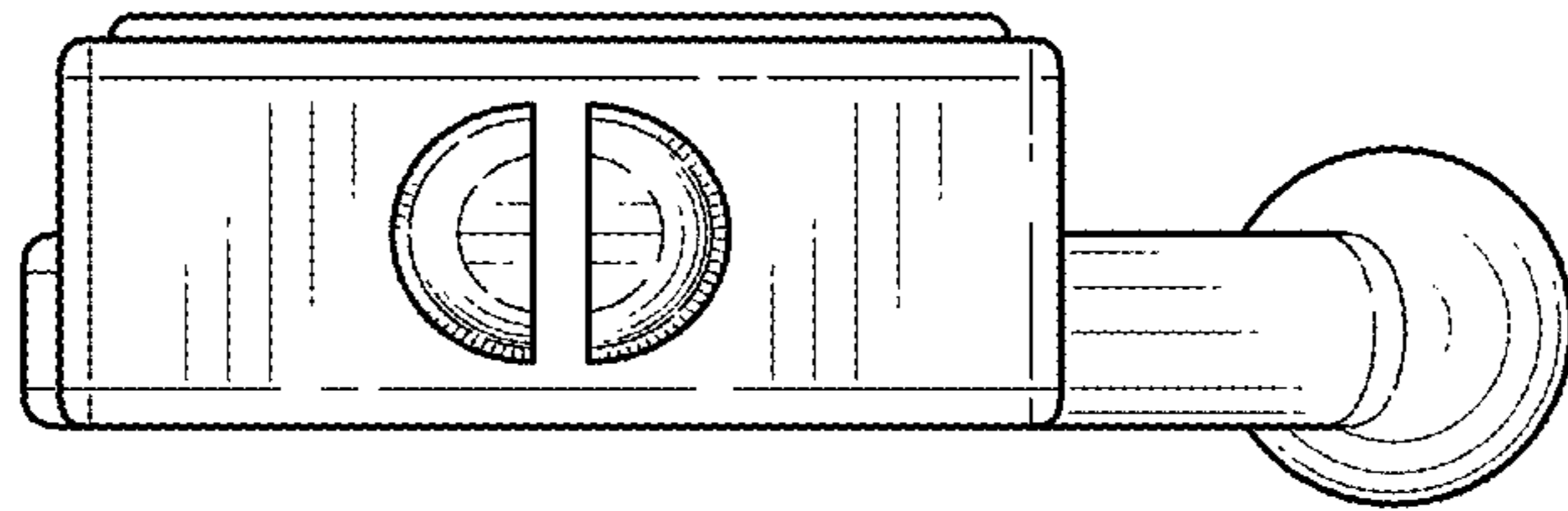


FIG. 7