



US00D770567S

(12) **United States Design Patent** (10) **Patent No.:** **US D770,567 S**  
**Tsai** (45) **Date of Patent:** **\*\* Nov. 1, 2016**

(54) **COMBINATION TABLE GAME**  
(71) Applicant: **Medal Sports (Taiwan) Corporation,**  
Taipei (TW)  
(72) Inventor: **Kevin Chunhao Tsai,** Kaohsiung (TW)  
(73) Assignee: **Medal Sports (Taiwan) Corporation,**  
Taipei (TW)  
(\*\*) Term: **14 Years**  
(21) Appl. No.: **29/526,394**  
(22) Filed: **May 8, 2015**  
(51) **LOC (10) Cl.** ..... **21-01**  
(52) **U.S. Cl.**  
USPC ..... **D21/319; D21/314**  
(58) **Field of Classification Search**  
USPC ..... D21/330, 302, 319, 322; 273/108,  
273/118 R, 108.5, 108.51-108.57, 398, 400;  
473/1, 9, 10, 475, 115; 463/15-28;  
211/204, 207, 208  
CPC ..... A63F 7/0005; A63F 7/0628; A63F 7/06;  
A63F 9/183; A63D 3/00; A63D 3/02; A63D  
15/04  
See application file for complete search history.

4,761,009 A 8/1988 Gibree  
D317,945 S \* 7/1991 McNaul ..... D21/319  
5,029,861 A \* 7/1991 Driska ..... A63F 7/3603  
273/108.53  
5,154,426 A 10/1992 Black  
5,354,062 A 10/1994 Lenger  
D382,601 S \* 8/1997 Antill ..... D21/303  
D392,334 S \* 3/1998 Taylor ..... D21/319  
6,155,564 A \* 12/2000 Tsai ..... A63F 7/3603  
273/108.1  
6,502,819 B2 \* 1/2003 Rieber ..... A63D 15/04  
273/108  
6,766,747 B1 \* 7/2004 Wolfe ..... A47B 13/081  
108/26  
D495,531 S \* 9/2004 Allshouse ..... D6/672  
7,108,262 B2 \* 9/2006 Giegerich ..... A63B 67/04  
273/108  
7,901,290 B2 \* 3/2011 Temple ..... A63F 7/06  
273/108.1  
8,764,542 B2 \* 7/2014 Cram ..... G07F 17/3211  
463/16

\* cited by examiner

*Primary Examiner* — Prabhakar Deshmukh  
(74) *Attorney, Agent, or Firm* — K&L Gates LLP

(57) **CLAIM**  
The ornamental design for a combination table game, as shown and described herein.

**DESCRIPTION**

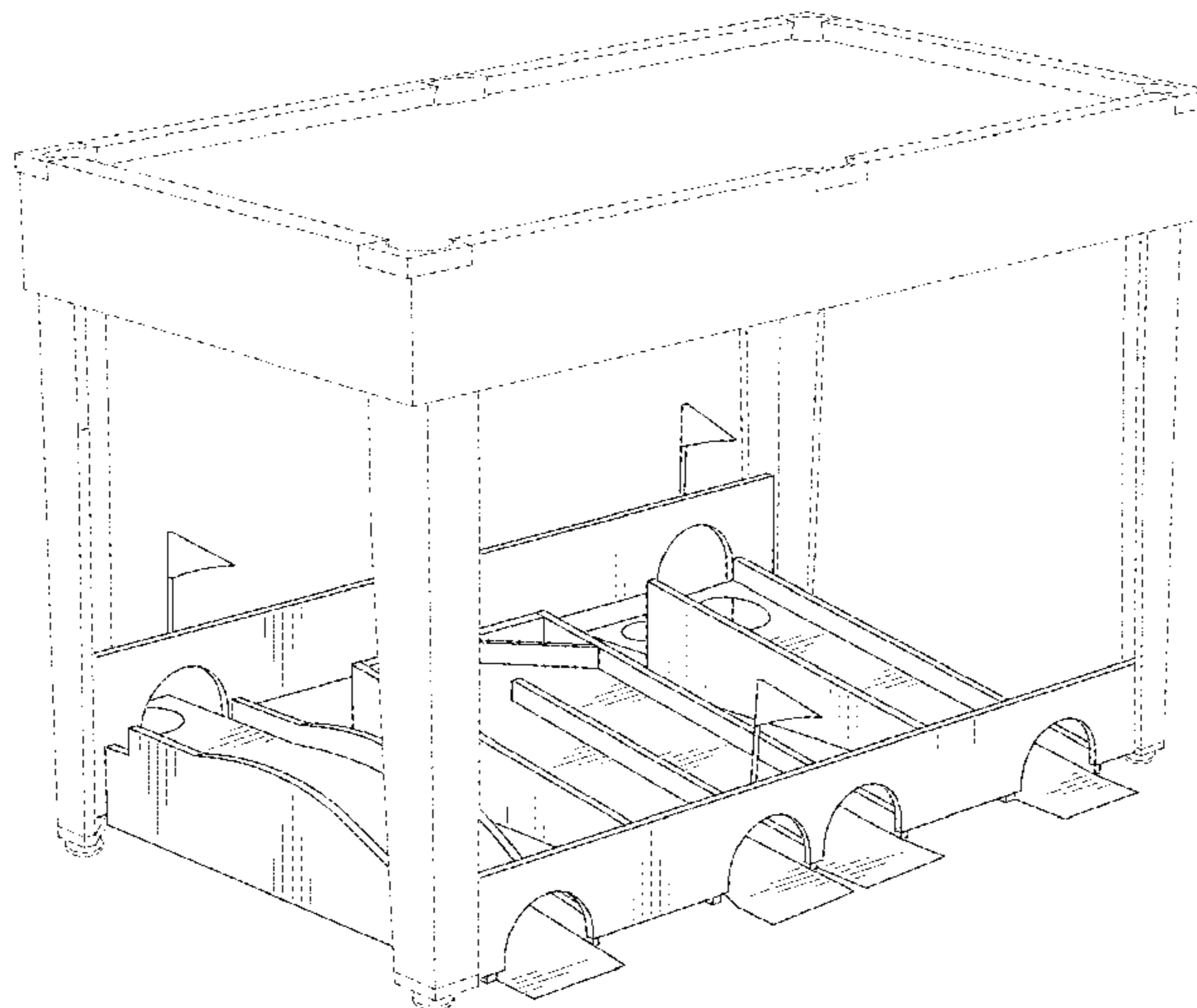
FIG. 1 is a perspective view of a first embodiment of a combination table game;  
FIG. 2 is another perspective view of the combination table game of FIG. 1;  
FIG. 3 is a perspective view of a second embodiment of a combination table game; and,  
FIG. 4 is another perspective view of the combination table game of FIG. 3.  
The broken lines illustrate unclaimed portions and form no part of the claimed design.

(56) **References Cited**

U.S. PATENT DOCUMENTS

D164,641 S 6/1875 Draper  
1,712,561 A 5/1929 Jaspert  
1,870,536 A 8/1932 Vaccaro, Jr.  
2,383,866 A 8/1945 Kling  
2,427,434 A 9/1947 Whitehouse  
2,719,719 A 10/1955 Sherwan  
2,849,238 A 8/1958 Eldredge  
3,817,535 A 6/1974 Doughty  
4,026,556 A 5/1977 Taylor et al.  
4,185,832 A \* 1/1980 Traficante ..... A63F 9/183  
273/237

**1 Claim, 4 Drawing Sheets**



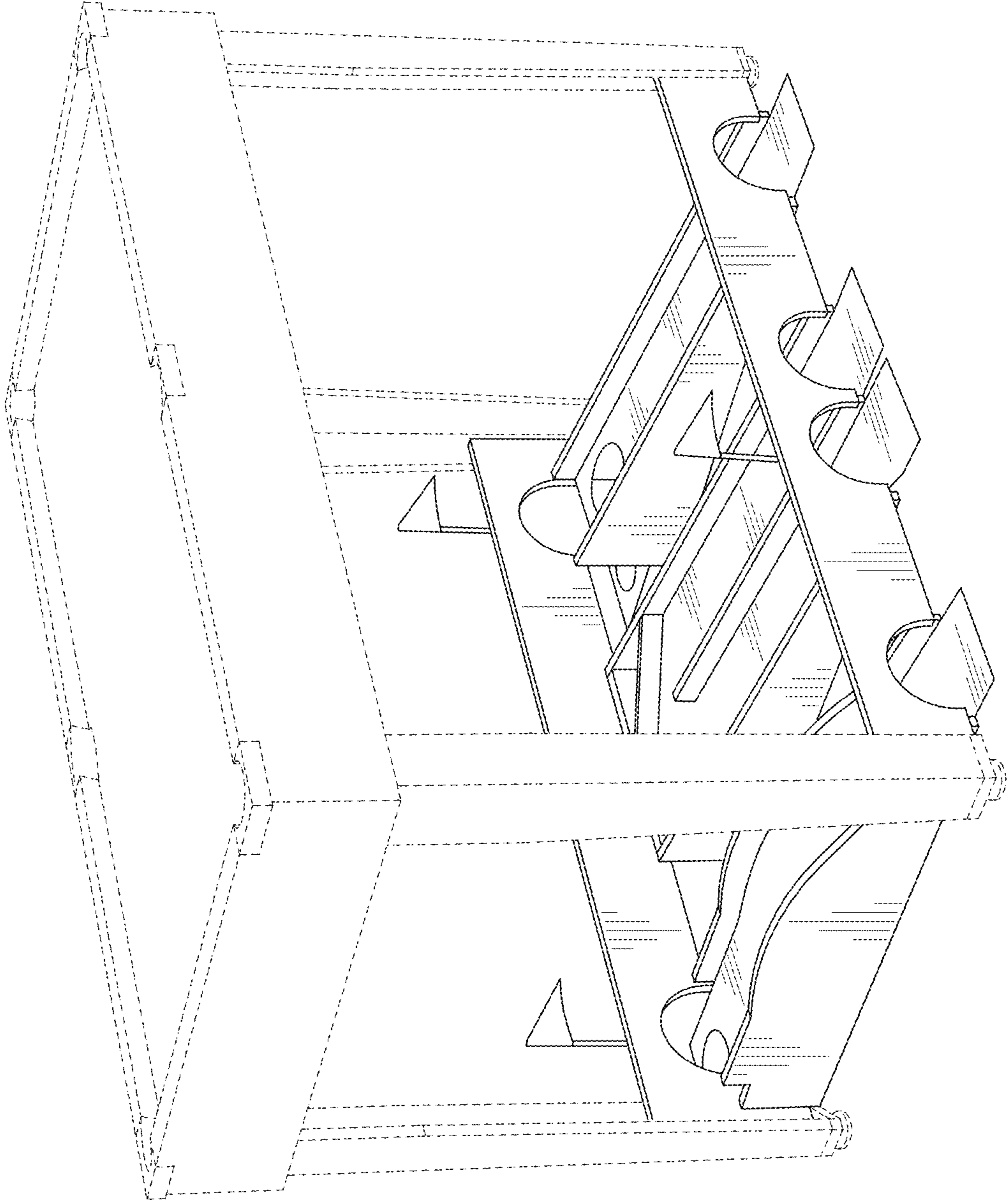


FIG. 1

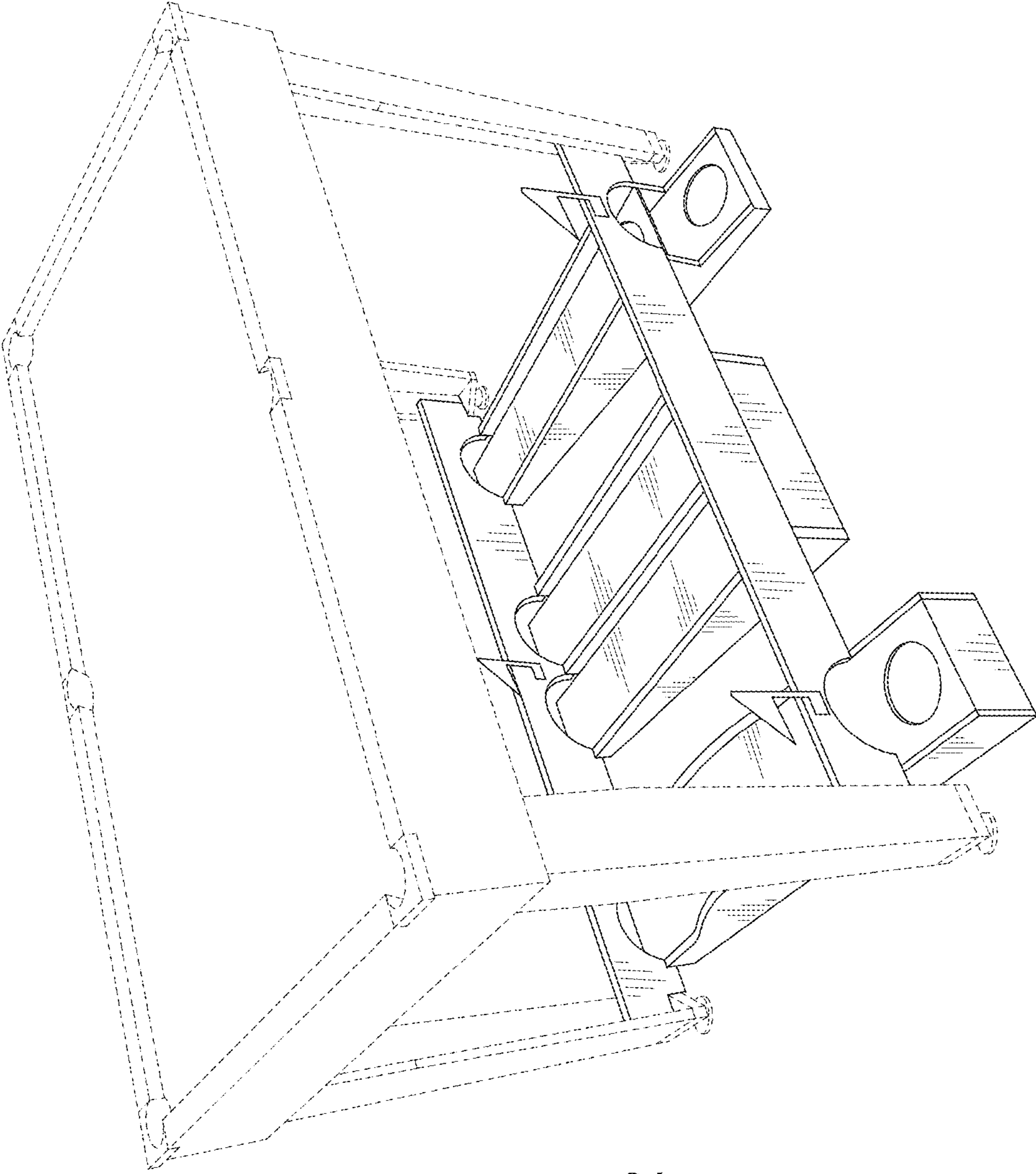


FIG. 2

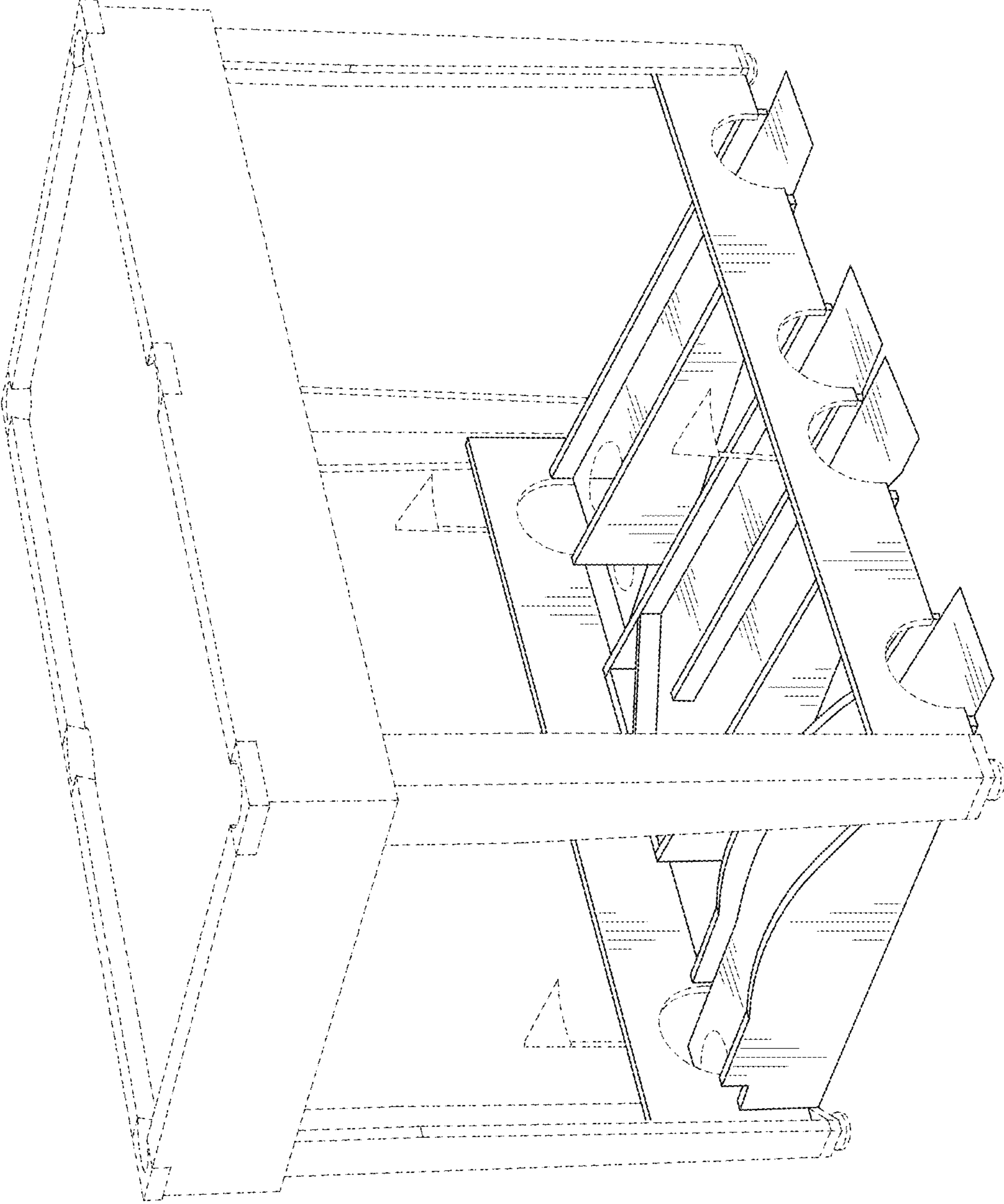


FIG. 3



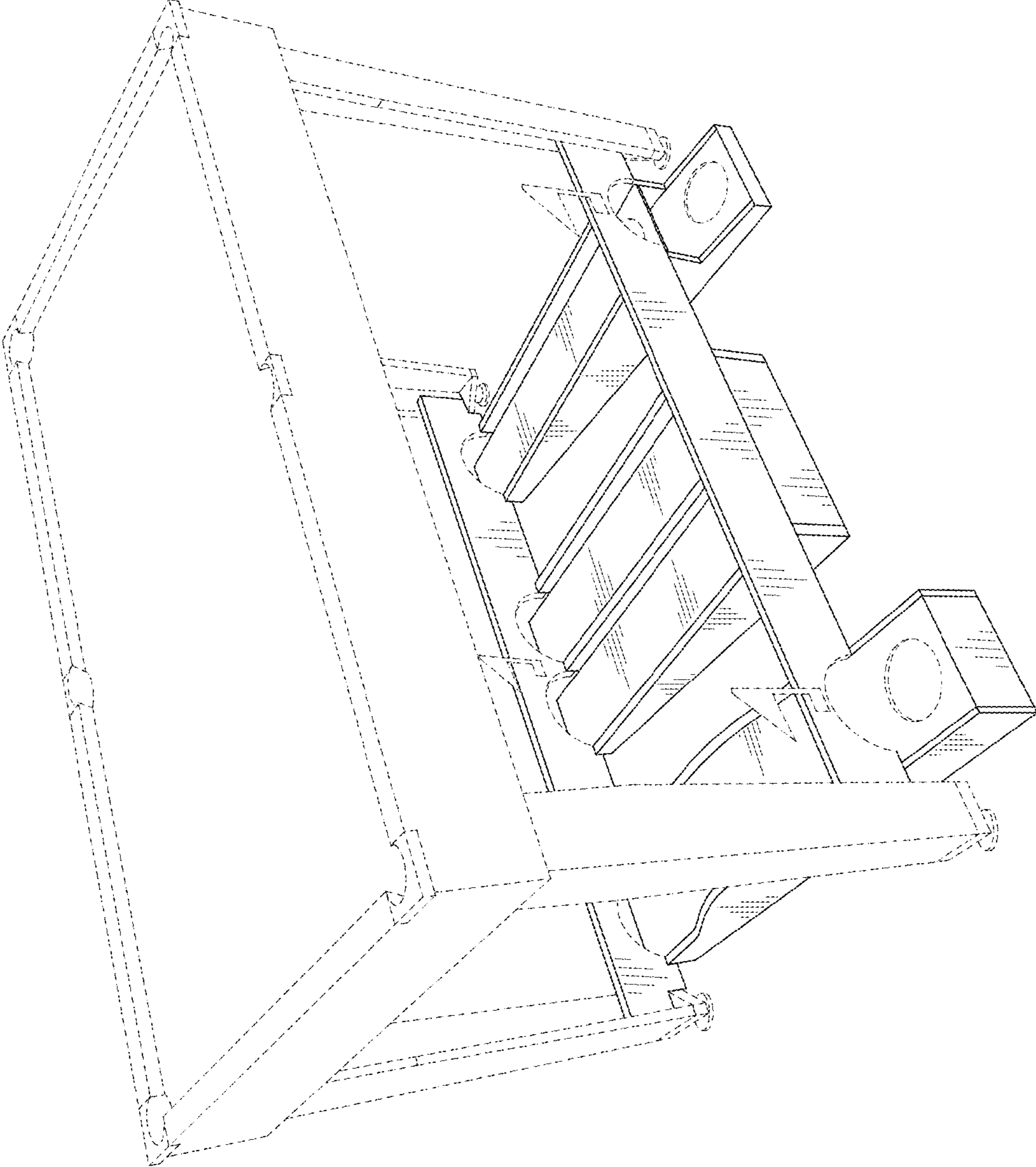


FIG. 4