



US00D770563S

(12) **United States Design Patent** (10) **Patent No.:** **US D770,563 S**
Milone (45) **Date of Patent:** **** Nov. 1, 2016**

(54) **TUNING PEG COVER**

(71) Applicant: **Jeffrey Milone**, Wall, NJ (US)

(72) Inventor: **Jeffrey Milone**, Wall, NJ (US)

(**) Term: **14 Years**

(21) Appl. No.: **29/484,255**

(22) Filed: **Mar. 7, 2014**

Related U.S. Application Data

(63) Continuation of application No. 13/466,080, filed on May 7, 2012, now abandoned.

(51) **LOC (10) Cl.** **17-03**

(52) **U.S. Cl.**
USPC **D17/20**

(58) **Field of Classification Search**
USPC D9/440, 444, 447, 452; D17/13, 24, 99;
D23/266; 84/304
CPC G10D 3/14; G10C 3/10
See application file for complete search history.

(56) **References Cited**

U.S. PATENT DOCUMENTS

D135,886 S *	6/1943	Brilhart	D17/13
D327,431 S *	6/1992	Farricielli	D9/444
5,388,491 A *	2/1995	John	G10D 3/14
				84/304
D388,817 S *	1/1998	Kang	D17/20
D389,508 S *	1/1998	Kang	D17/20
D389,857 S *	1/1998	Goto	84/306
D407,101 S *	3/1999	Garbuzov	D17/13
D411,856 S *	7/1999	Park	84/306
D575,326 S *	8/2008	Skala	D17/20
D728,674 S *	5/2015	Chang	D17/20
D741,173 S *	10/2015	Toh	D9/444
2013/0247743 A1 *	9/2013	Milone	G10D 3/14
				84/304
2015/0161971 A1 *	6/2015	Lee	G10C 3/10
				84/304

OTHER PUBLICATIONS

Kmise. Classical Guitar Machine Heads/Tuning Pegs. 2013 [earliest online date], [site visited Apr. 1, 2016], Available from Internet, <URL:http://www.kmise.com/goods-4188.html>.*

Bertram Guitars. Grover Guitar Tuners. Sep. 9, 2013 [earliest online date], [site visited Apr. 1, 2016]. Available from Internet, <URL:http://bertramguitars.com/technical-articles/grover-tuners.asp>.*

Fender. 65' Mustang Reissue Tuning Machines. 2016 [earliest online date], [site visited Apr. 7, 2016]. Available from Internet, <URL:http://www.fender.com/parts/tuning-machines/65-mustang-reissue-tuning-machines/0013189000.html#start=1>.*

* cited by examiner

Primary Examiner — Robert M Spear

Assistant Examiner — Darcey E Heflin

(74) *Attorney, Agent, or Firm* — Lee & Hayes, PLLC

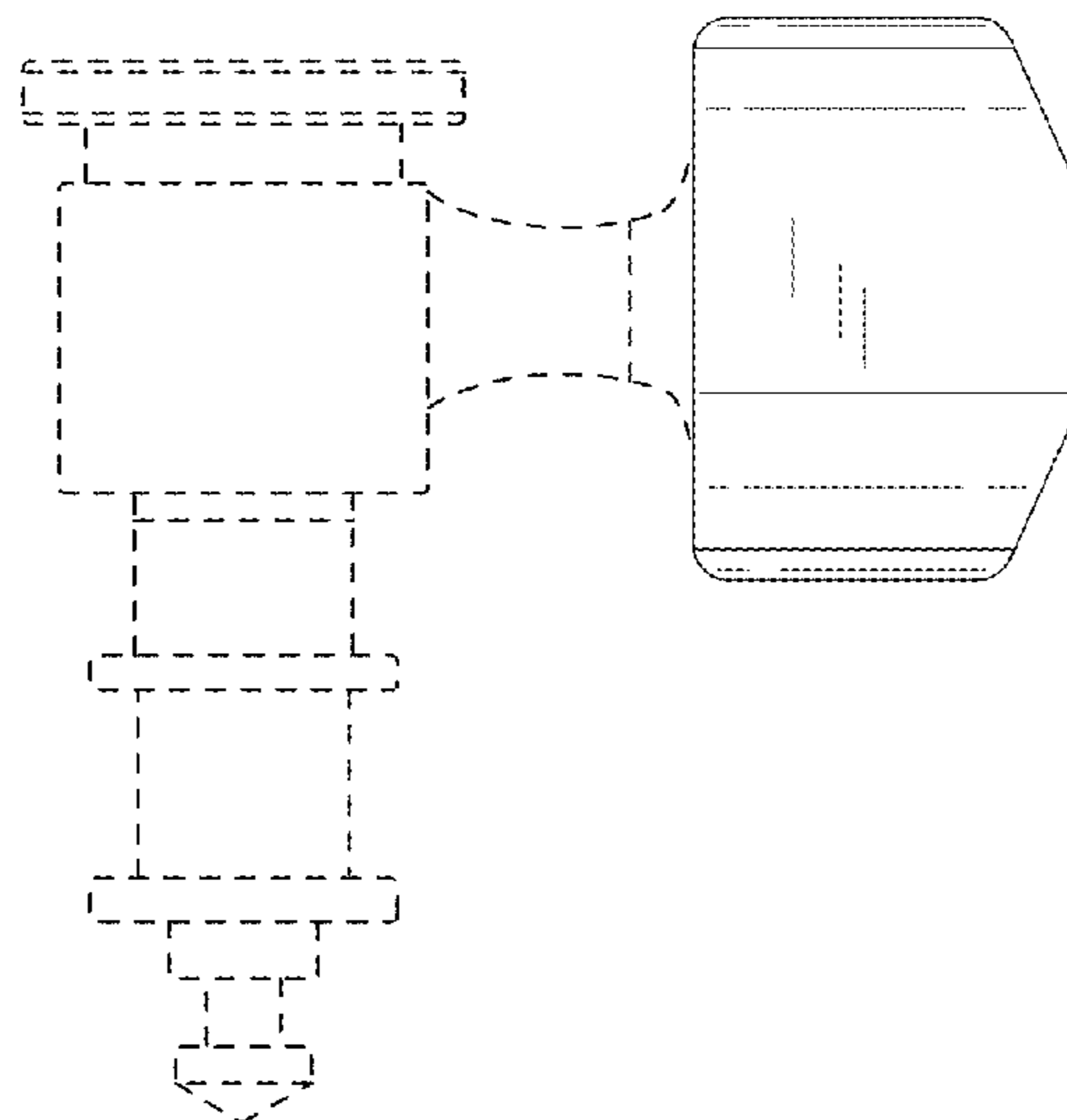
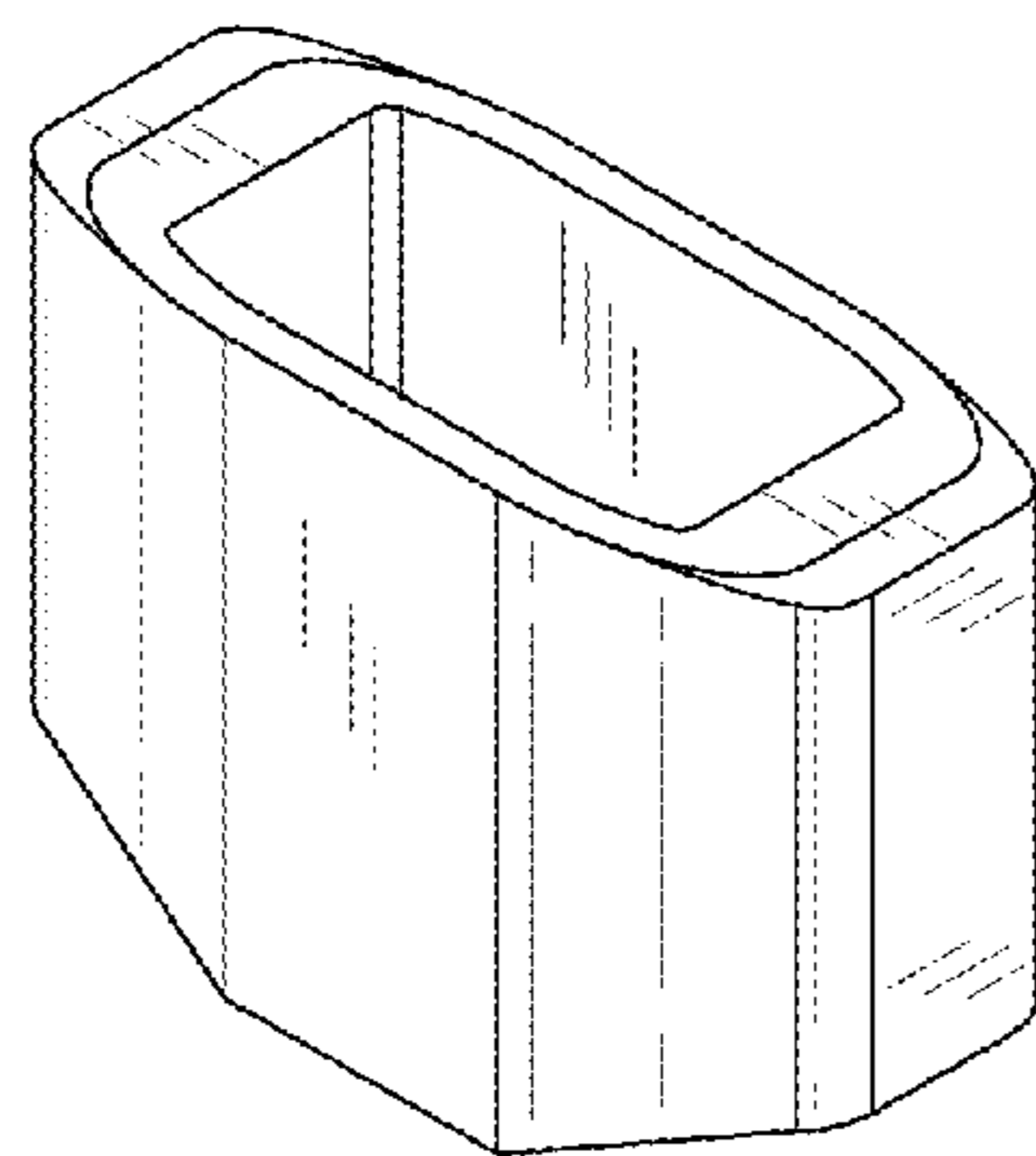
(57) **CLAIM**

The ornamental design for a tuning peg cover, as shown and described.

DESCRIPTION

FIG. 1 is a perspective view of a tuning peg cover; FIG. 2 is a top view of the design of FIG. 1; FIG. 3 is a side cutaway view taken in the direction of line 3-3 of FIG. 2; FIG. 4 is a front cutaway view taken in the direction of line 4-4 of FIG. 2; FIG. 5 is a side view of the design of FIG. 1 in an environment of use; FIG. 6 is an alternate perspective view of the design of FIG. 1; and, FIG. 7 is a side view thereof. In the drawings, the broken-line showing of a tuning peg depicts environment and forms no part of the claim.

1 Claim, 3 Drawing Sheets



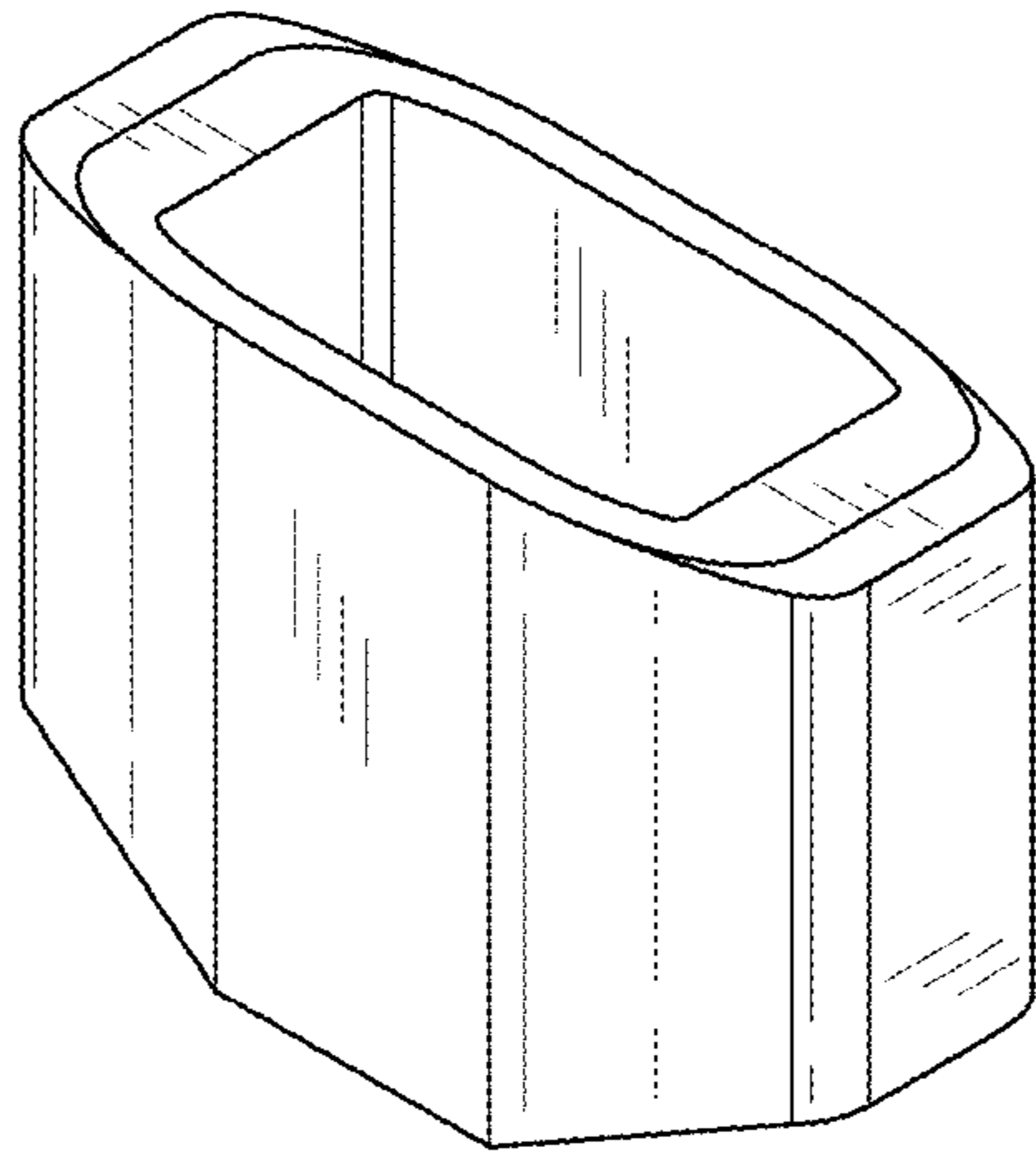


FIG. 1

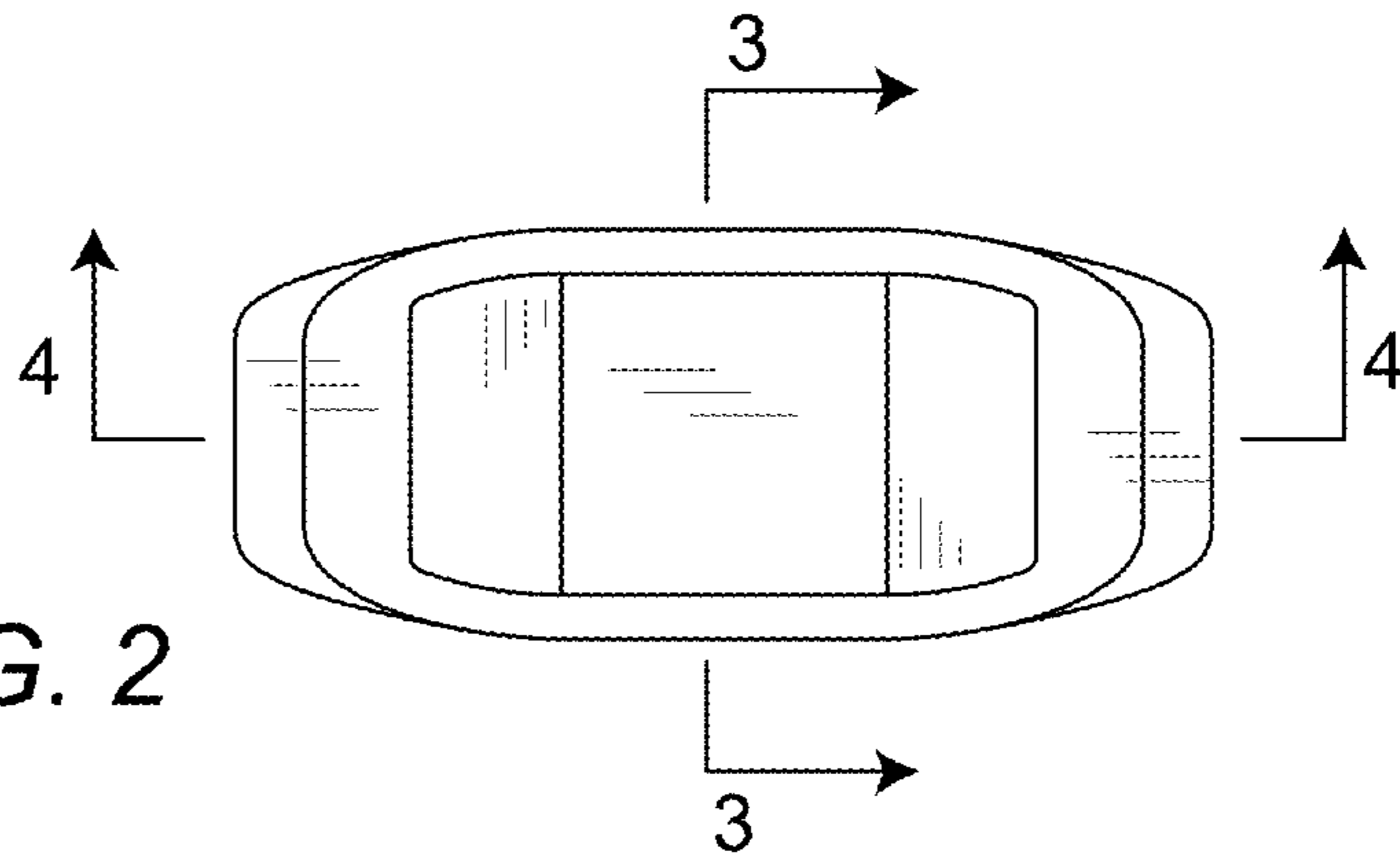


FIG. 2

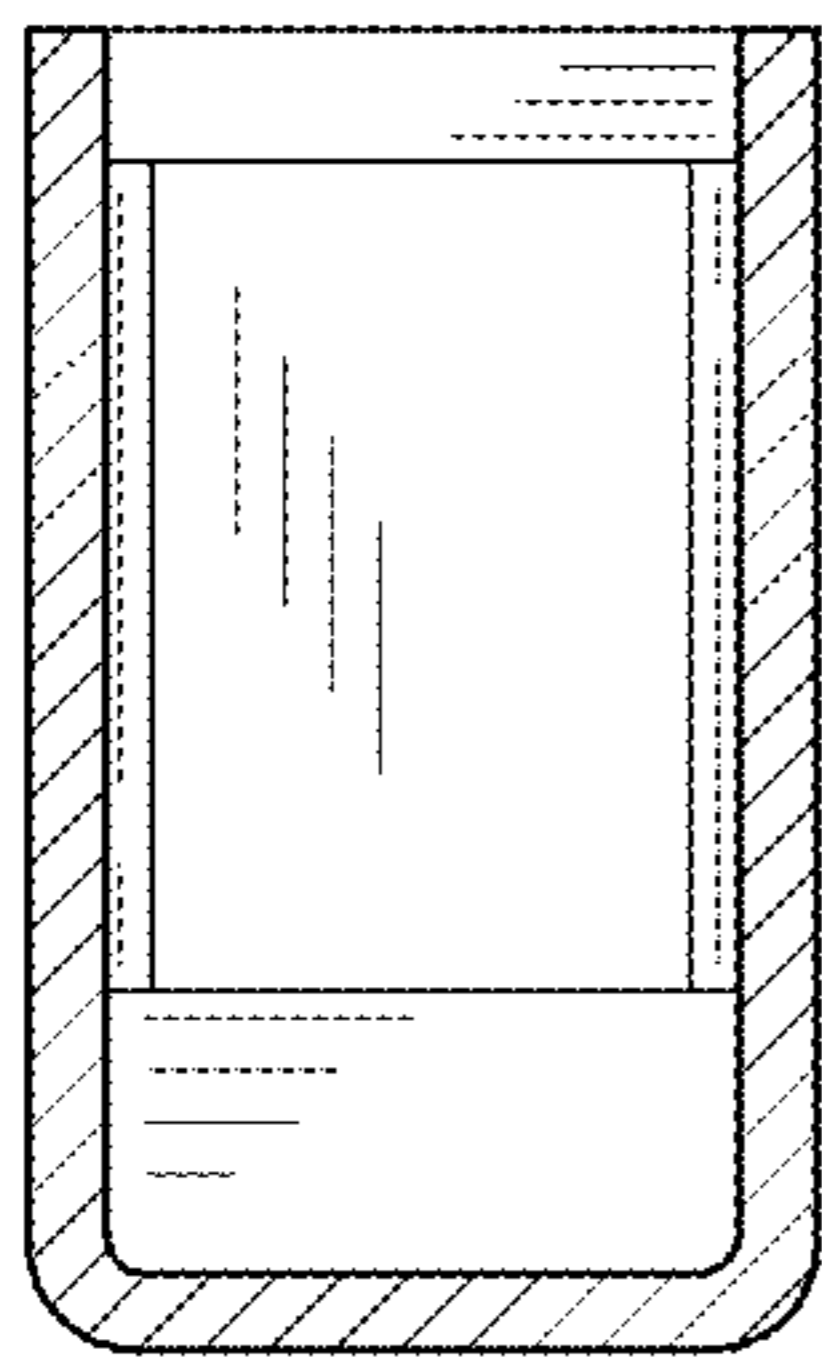


FIG. 3

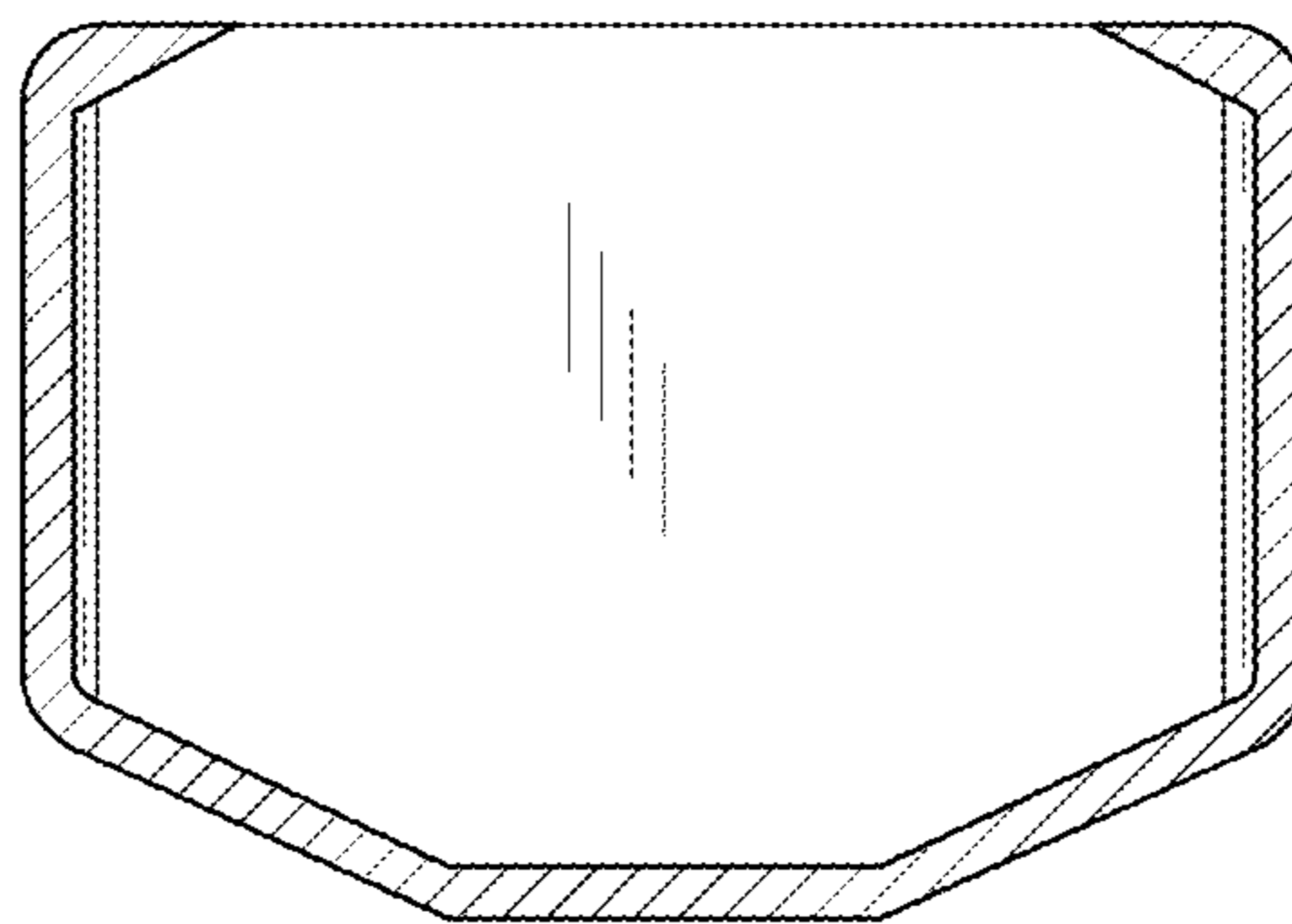


FIG. 4

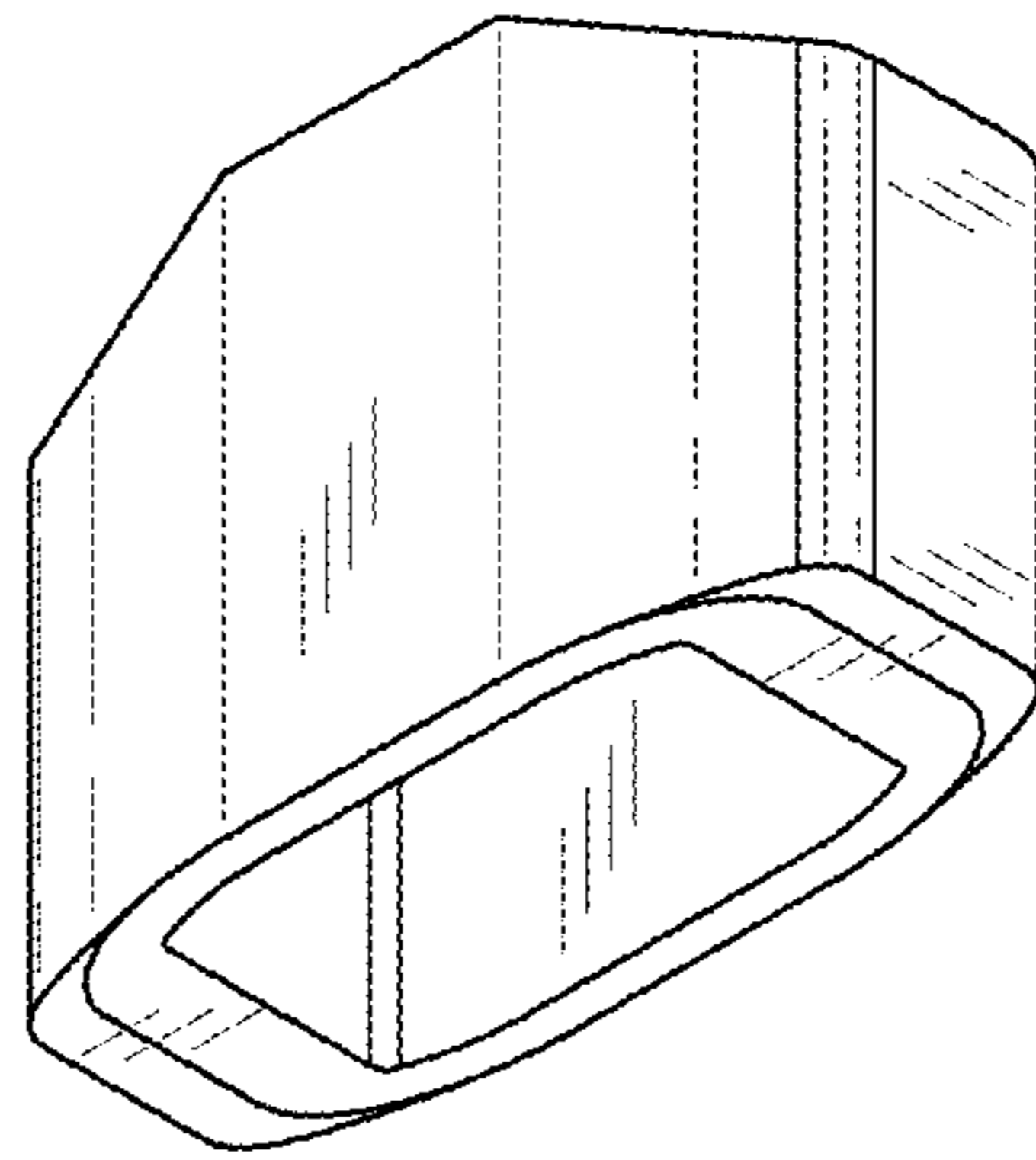


FIG. 6

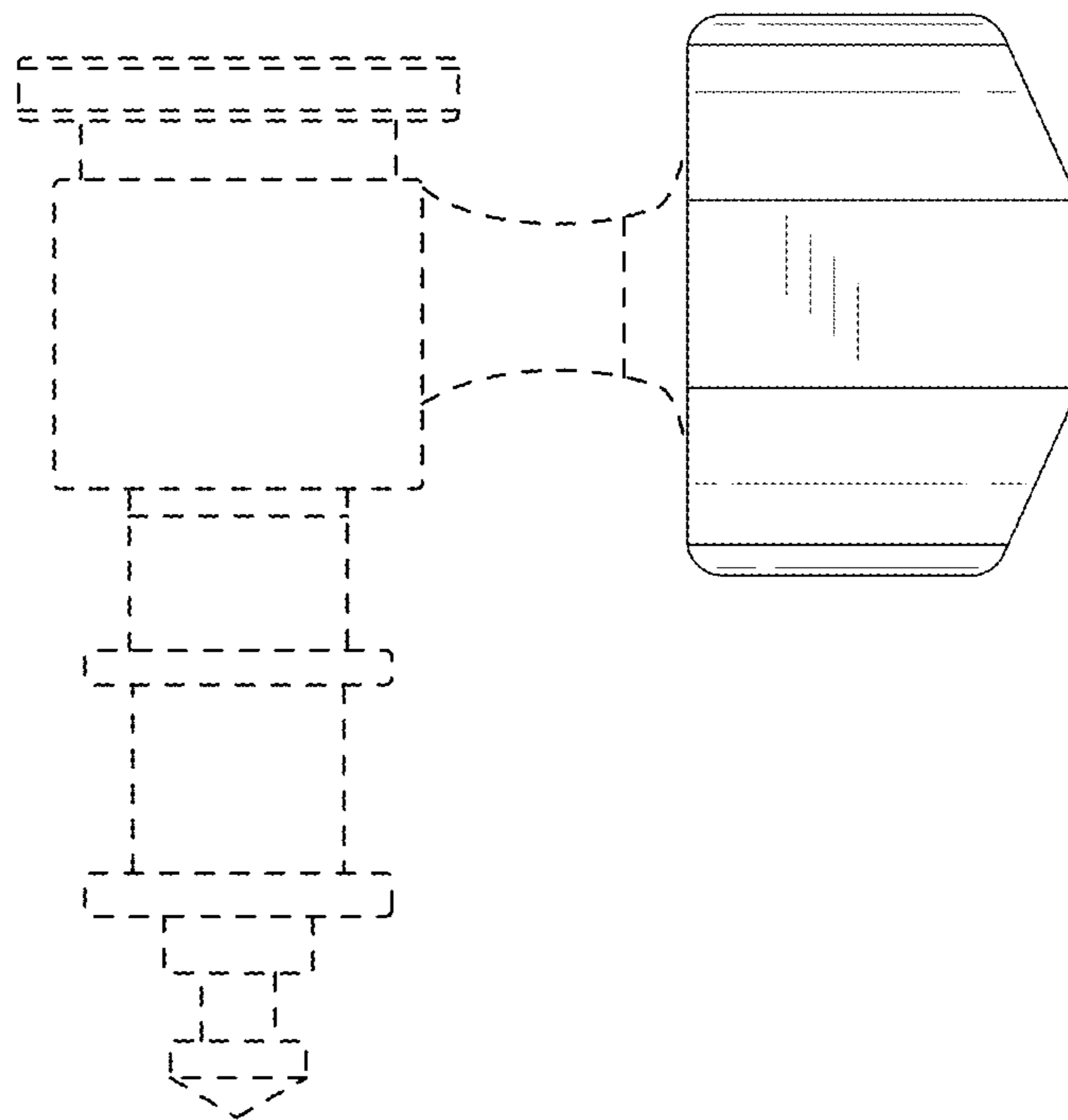


FIG. 5

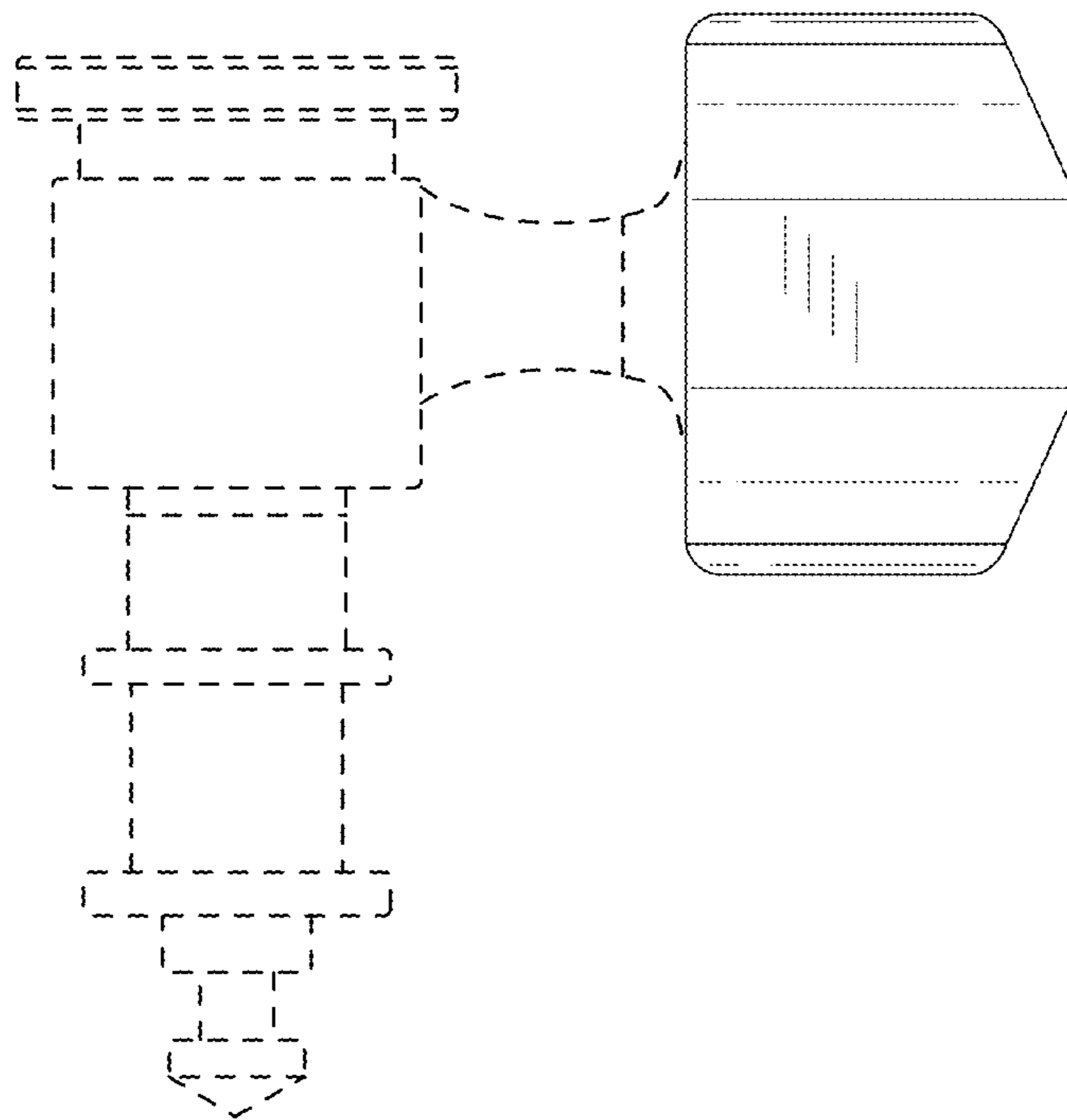


FIG. 7