



US00D770562S

(12) **United States Design Patent** (10) **Patent No.:** **US D770,562 S**
Dordick (45) **Date of Patent:** **** Nov. 1, 2016**

(54) **UKULELE BODY**
(71) Applicant: **Scott David Dordick**, La Verne, CA (US)
(72) Inventor: **Scott David Dordick**, La Verne, CA (US)
(**) Term: **14 Years**
(21) Appl. No.: **29/493,346**
(22) Filed: **Jun. 9, 2014**
(51) **LOC (10) Cl.** **17-03**
(52) **U.S. Cl.**
USPC **D17/14**
(58) **Field of Classification Search**
USPC D17/14, 17, 19-21; 84/267, 291, 293, 84/307, 718
CPC G10D 1/02; G10D 1/08; G10D 1/10; G10D 3/02; G10D 3/04; G10D 3/06; G10D 3/146; G10H 3/01
See application file for complete search history.

2003/0131721 A1* 7/2003 Minakuchi G10H 1/32 84/726
2008/0202310 A1* 8/2008 Coke G10D 1/085 84/291
2014/0116226 A1* 5/2014 Saito G10D 3/00 84/291

OTHER PUBLICATIONS

Opal Instruments. Ukuleles. Publication date unknown. [site visited Mar. 1, 2016]. Available on the Internet URL: <<http://www.opalinstruments.com/ukuleles.html>>.*
Ukulele Underground—YouTube, Namm 2016—Opal Instruments, Jan. 23, 2016, [site visited Mar. 1, 2016], Available on the Internet URL:<<https://www.youtube.com/watch?v=fv5yCC6uxpM>>.*

* cited by examiner

Primary Examiner — Thomas Johannes
Assistant Examiner — S Bryan Reinholdt

(57) **CLAIM**
The ornamental design for a ukulele body, as shown.

(56) **References Cited**

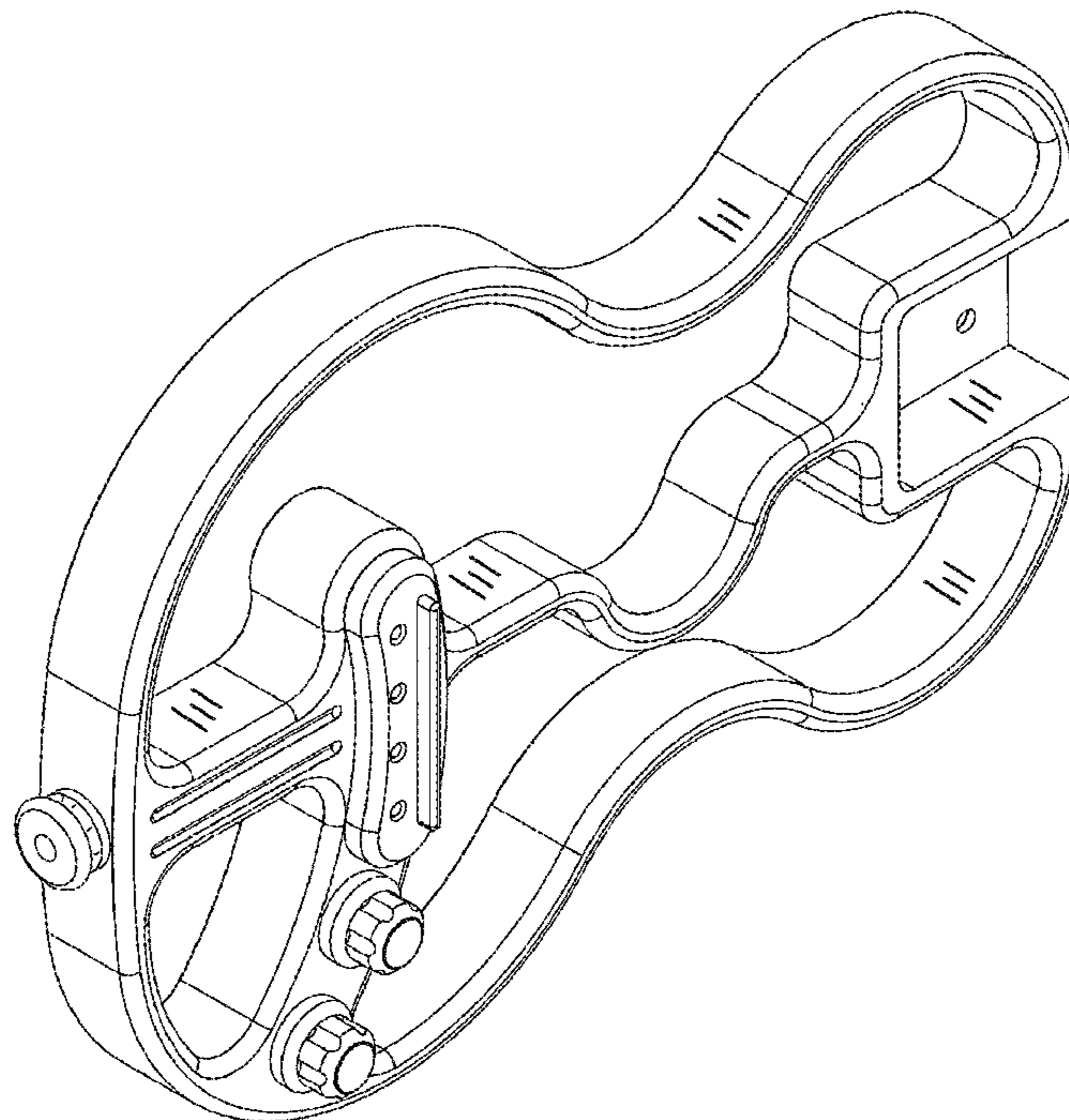
U.S. PATENT DOCUMENTS

3,413,883 A * 12/1968 Helbourne G10D 1/08 84/267
D249,387 S * 9/1978 Hart D17/17
D312,473 S * 11/1990 Ross D17/17
D384,689 S * 10/1997 Najarian D17/14
D478,611 S * 8/2003 Nakajima D17/14
D501,395 S * 2/2005 Kelleghan D8/356
D574,036 S * 7/2008 Kwak D17/14
7,507,885 B2 * 3/2009 Coke G10D 1/085 84/267

DESCRIPTION

FIG. 1 is a perspective view of a ukulele body showing my new design;
FIG. 2 is a front elevation view thereof;
FIG. 3 is a rear elevation view thereof;
FIG. 4 is a left side elevation view thereof;
FIG. 5 is a right side elevation view thereof;
FIG. 6 is a top plan view thereof; and,
FIG. 7 is a bottom plan view thereof.

1 Claim, 5 Drawing Sheets



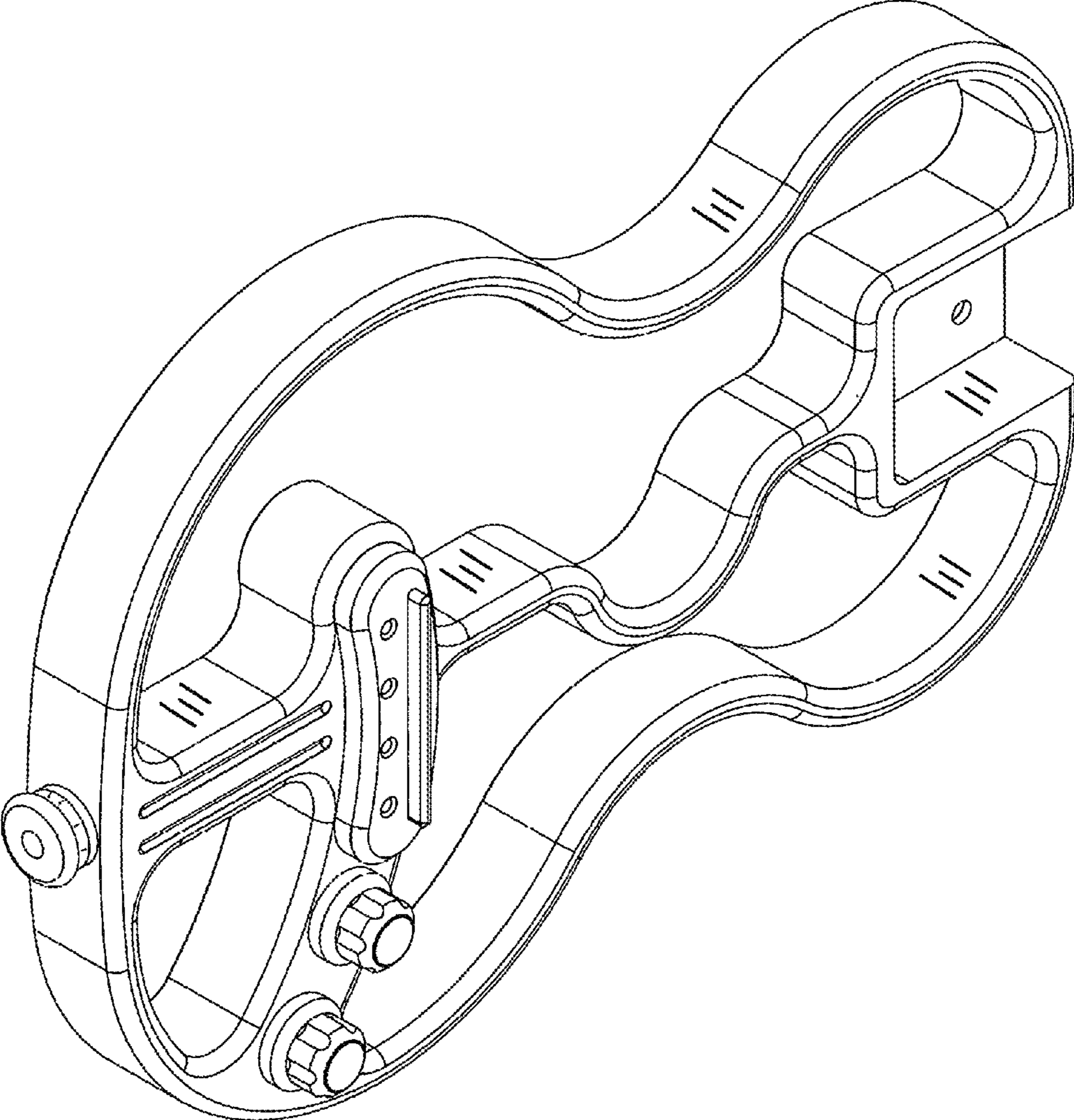


FIG. 1

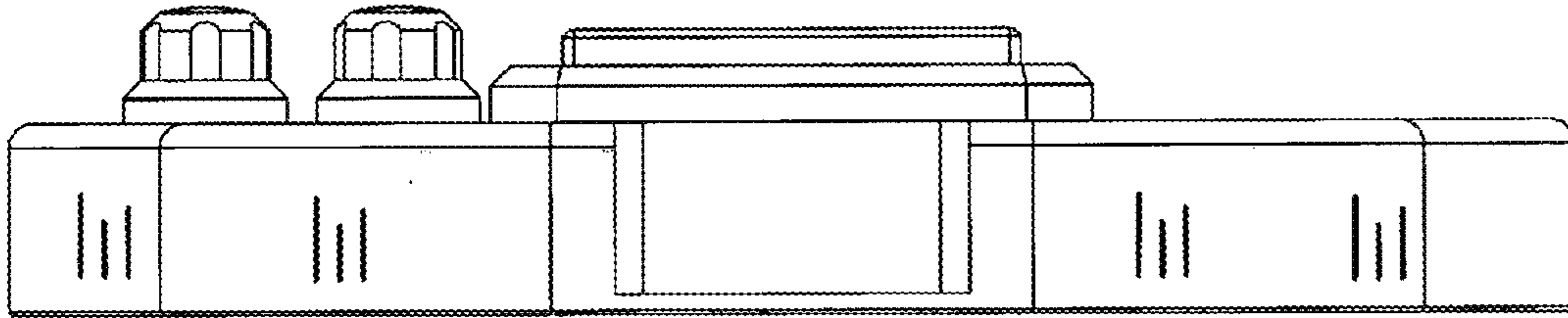


FIG. 2

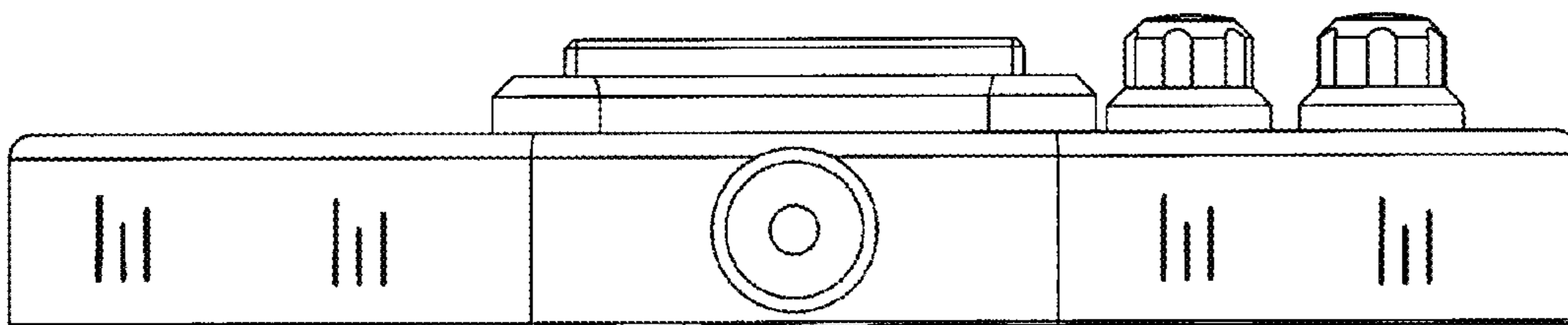


FIG. 3

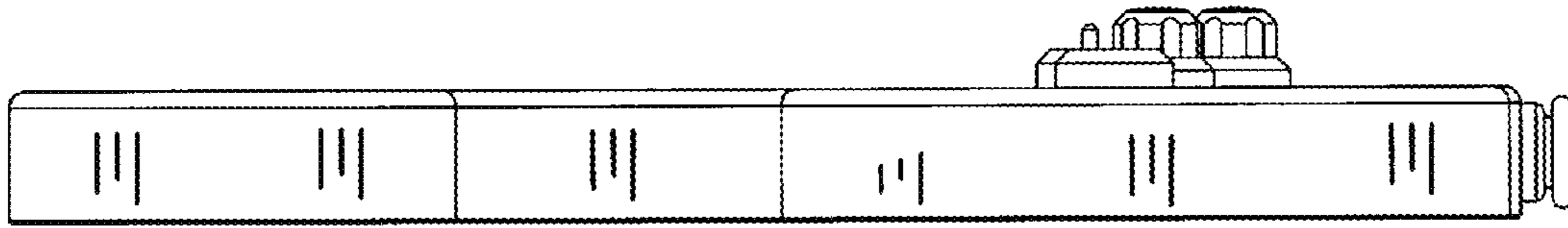


FIG. 4

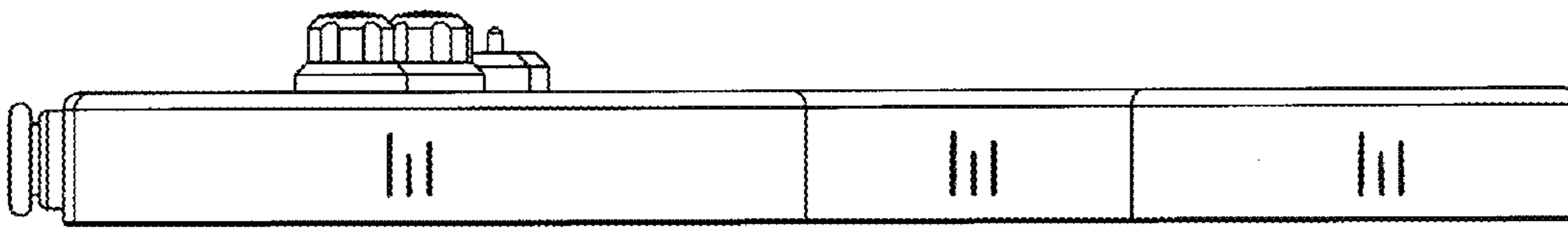


FIG. 5

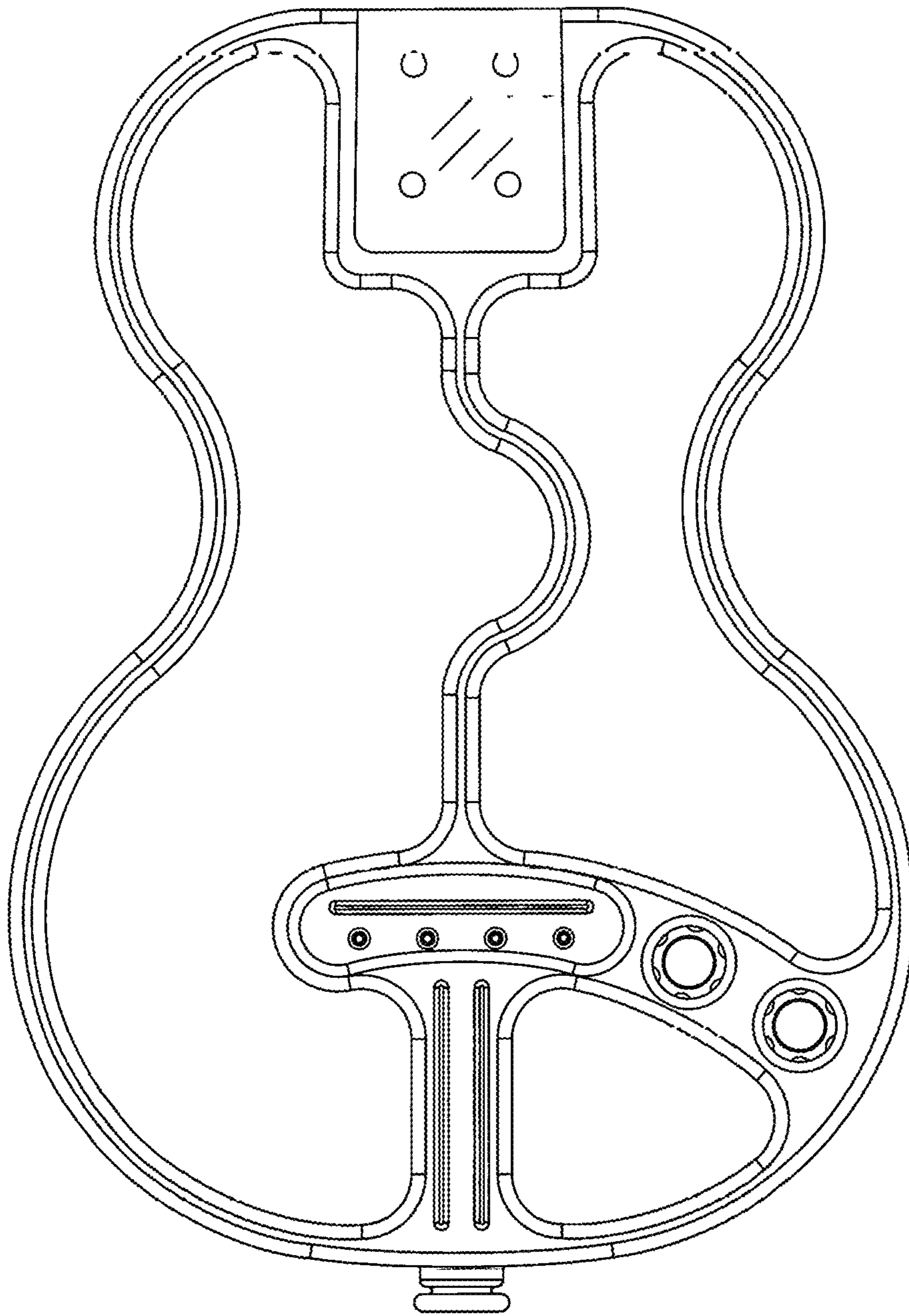


FIG. 6

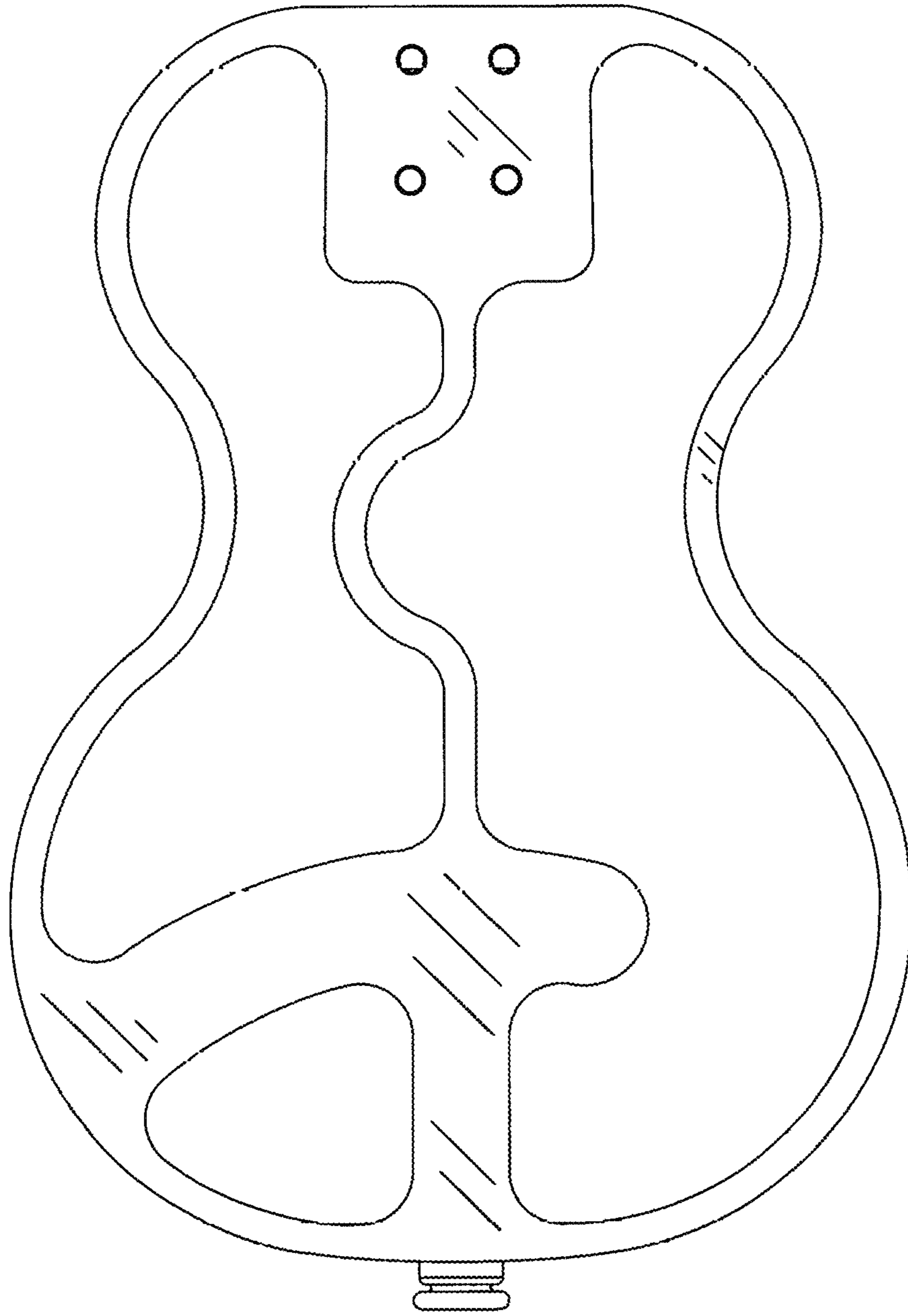


FIG. 7