



US00D770558S

(12) **United States Design Patent** (10) **Patent No.:** **US D770,558 S**
Ghodousi et al. (45) **Date of Patent:** **** Nov. 1, 2016**

(54) **SONAR GLASSES**
(71) Applicant: **Ghodousi, LLC**, Alexandria, VA (US)
(72) Inventors: **Arman Ghodousi**, Alexandria, VA (US); **Jack Kotowicz**, Washington, DC (US)
(73) Assignee: **Ghodousi, LLC**, Alexandria, VA (US)
(**) Term: **15 Years**
(21) Appl. No.: **29/532,036**
(22) Filed: **Jul. 1, 2015**
(51) **LOC (10) Cl.** **16-06**
(52) **U.S. Cl.**
USPC **D16/309**
(58) **Field of Classification Search**
USPC D16/101, 300-342, 900; D29/109-110; D21/483, 659-661; D14/372; 351/41, 351/44, 45-48, 51-52, 62, 158, 92, 351/103-123, 140-153, 63, 59; 2/13, 15, 2/426-432, 447-449, 441, 434-437
CPC G02C 2200/08; G02C 1/06; G02C 5/14; G02C 11/02; G02C 11/04; G02C 5/16; G02C 2200/22; G02C 5/146; G02C 5/2254; G02C 5/008; G01C 5/16; A61M 2021/0044; A63B 33/002
See application file for complete search history.

D565,082 S * 3/2008 McClure D16/309
D598,946 S * 8/2009 Roux D16/315
D634,348 S * 3/2011 Suzuki D16/300
D638,462 S * 5/2011 Bumgardner D16/300
D639,332 S * 6/2011 Basler D16/300
D645,492 S * 9/2011 Zhao D16/309
D646,316 S * 10/2011 Zhao D16/309
D652,860 S * 1/2012 Carlow D16/306

(Continued)

FOREIGN PATENT DOCUMENTS

WO WO 97/01320 1/1997

Primary Examiner — Rosemary K Tarcza
Assistant Examiner — Sanjeev Paul
(74) *Attorney, Agent, or Firm* — Diederiks & Whitelaw, PLC

(57) **CLAIM**

The ornamental design for sonar glasses, as shown and described.

DESCRIPTION

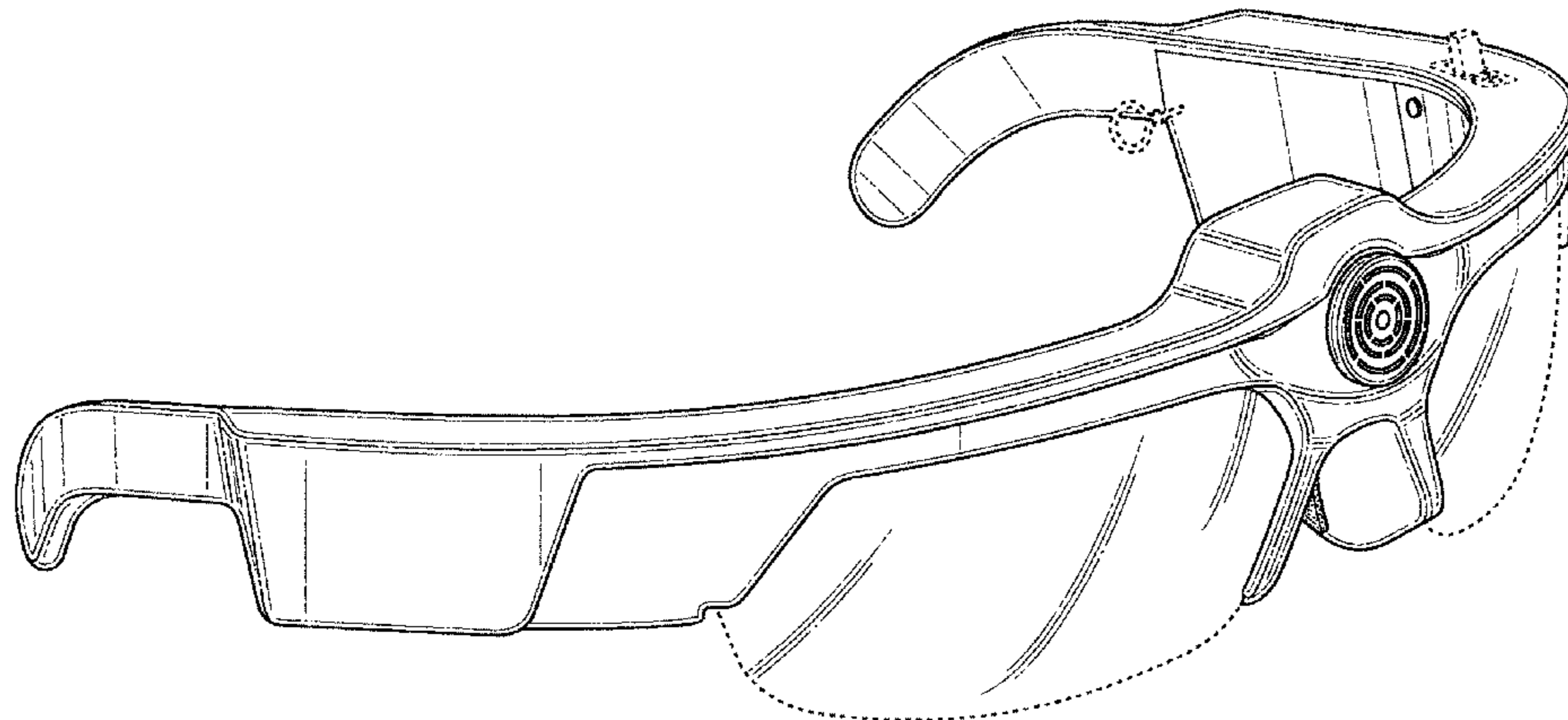
FIG. 1 is an upper perspective view of a pair of sonar eyeglasses constructed according to our new design; FIG. 2 is a front elevational view of the sonar eyeglasses of FIG. 1; FIG. 3 is a rear elevational view of the sonar eyeglasses of FIG. 1; FIG. 4 is a left side elevational view of the sonar eyeglasses of FIG. 1; FIG. 5 is a right side elevational view of the sonar eyeglasses of FIG. 1; FIG. 6 is a bottom plan view of the sonar eyeglasses of FIG. 1; and, FIG. 7 is a top plan view of the sonar eyeglasses of FIG. 1. The broken lines in FIGS. 1-7 showing an ON/OFF switch, a particular lens configuration and a battery compartment pull are for illustrative purposes only and form no part of the claimed invention.

1 Claim, 6 Drawing Sheets

(56) **References Cited**

U.S. PATENT DOCUMENTS

D177,229 S * 3/1956 Grace D16/301
D372,928 S * 8/1996 Brune D16/311
5,724,313 A 3/1998 Burgess et al.
5,818,381 A 10/1998 Williams
6,011,754 A 1/2000 Burgess et al.
D428,620 S * 7/2000 Maturaporn 2/12
D461,486 S * 8/2002 Katagiri D16/300
D510,379 S * 10/2005 Lane D16/321
D525,666 S * 7/2006 Yeung D16/312
D535,315 S * 1/2007 Lane D16/319



(56)

References Cited

U.S. PATENT DOCUMENTS

D671,590 S *	11/2012	Klinar	D16/309	D716,807 S *	11/2014	Yeom	D14/372
D672,804 S *	12/2012	Carlow	D16/325	D725,695 S *	3/2015	Garfias	D16/313
D681,092 S *	4/2013	Sogabe	D16/309	D729,307 S *	5/2015	Noordzij	D16/340
D681,096 S *	4/2013	Slosar	D16/321	D733,211 S *	6/2015	Mehin	D16/315
D681,097 S *	4/2013	Slosar	D16/321	D733,791 S *	7/2015	Yang	D16/315
D685,839 S *	7/2013	Pearson	D16/312	D735,795 S *	8/2015	McGinn	D16/320
D688,294 S *	8/2013	Roy	D16/309	D748,715 S *	2/2016	Li	D16/309
D688,295 S *	8/2013	Sheldon	D16/309	D751,552 S *	3/2016	Osterhout	D14/372
D688,296 S *	8/2013	Pearson	D16/312	D752,679 S *	3/2016	Smith	D16/311
D700,928 S *	3/2014	Lavoie	D16/309	D755,883 S *	5/2016	Yang	D16/315
8,803,699 B2	8/2014	Foshee et al.		D757,007 S *	5/2016	Cazalet	D14/372
D716,364 S *	10/2014	Chow	D16/300	D757,154 S *	5/2016	Muftic	D16/300
D716,365 S *	10/2014	Yamano	D16/300	D757,155 S *	5/2016	Noordzij	D16/310
				2012/0062357 A1	3/2012	Slamka	
				2015/0248024 A1*	9/2015	Chen	G02C 11/04 351/158

* cited by examiner

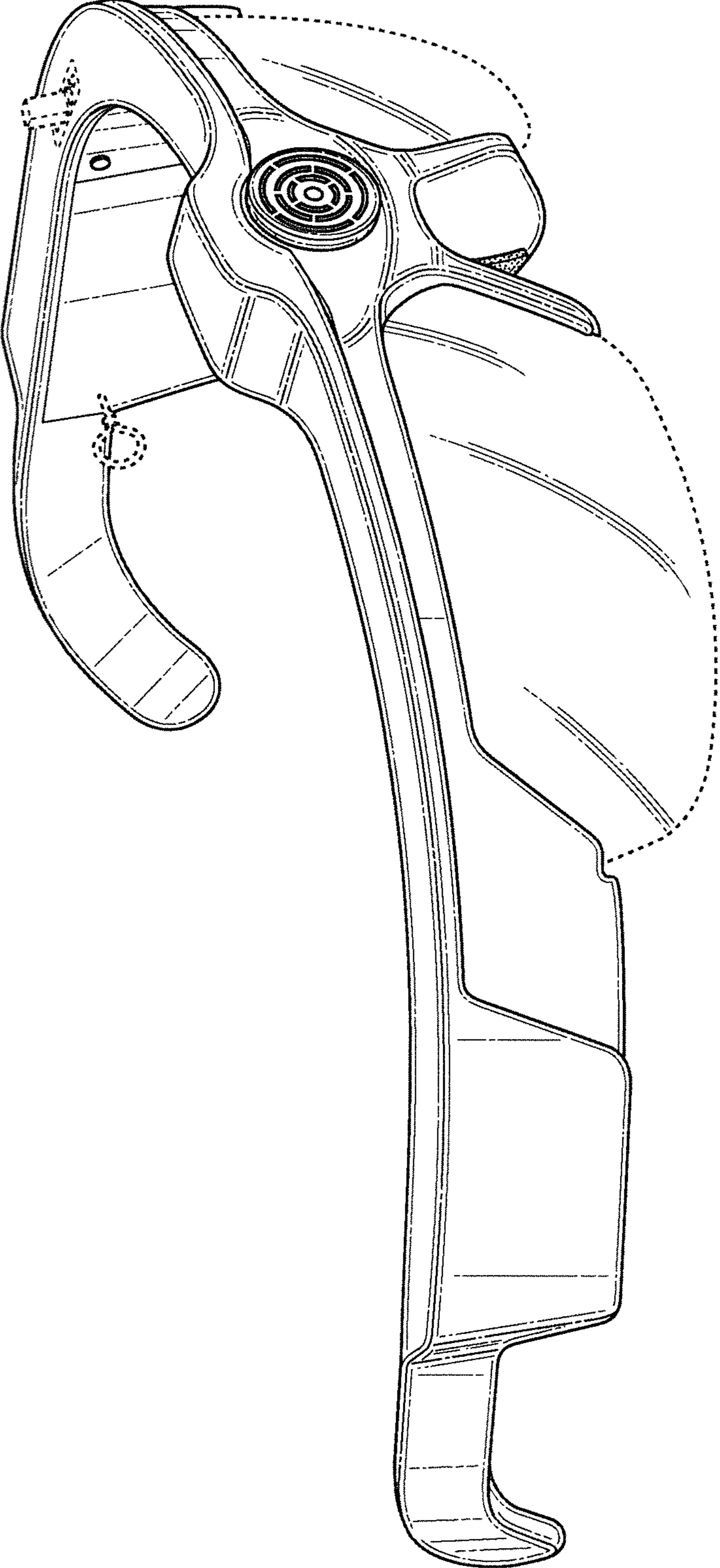


FIG. 1

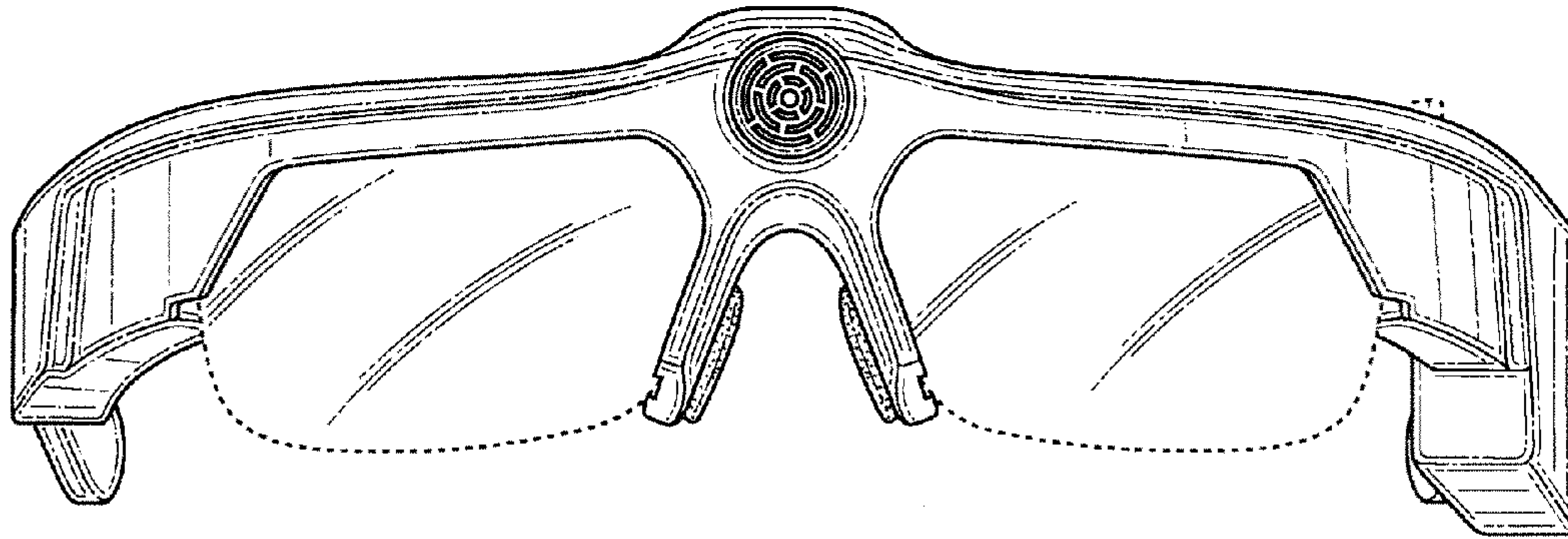


FIG. 2

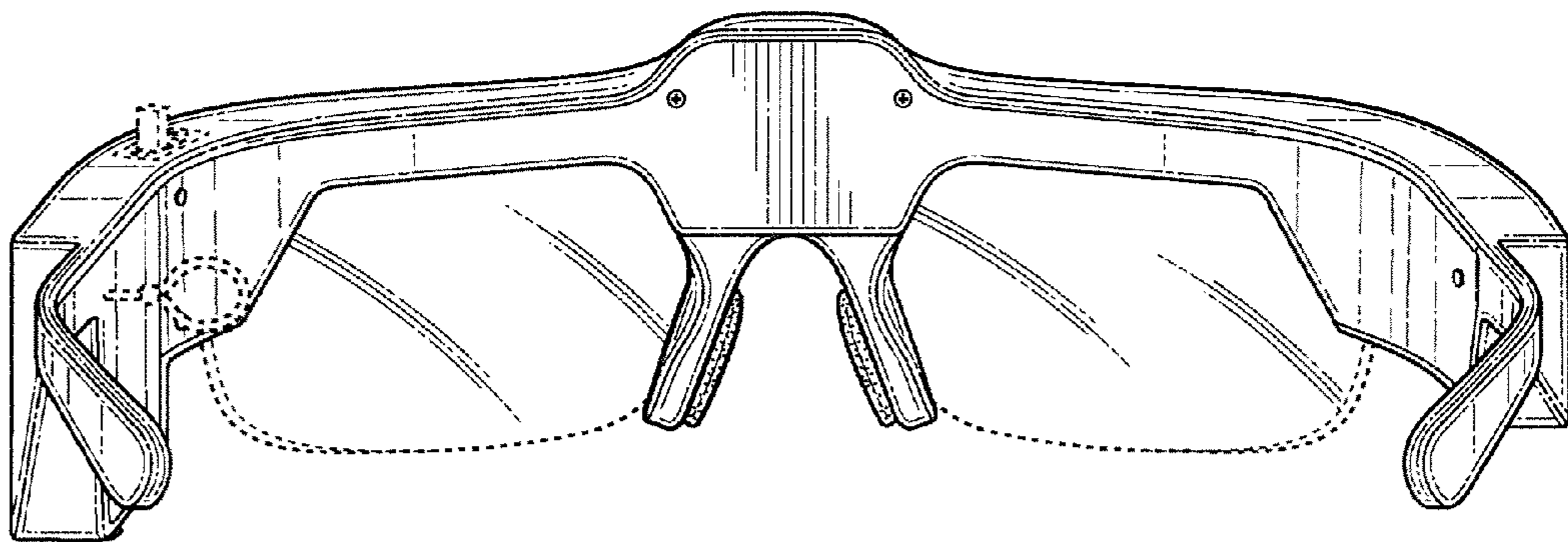


FIG. 3

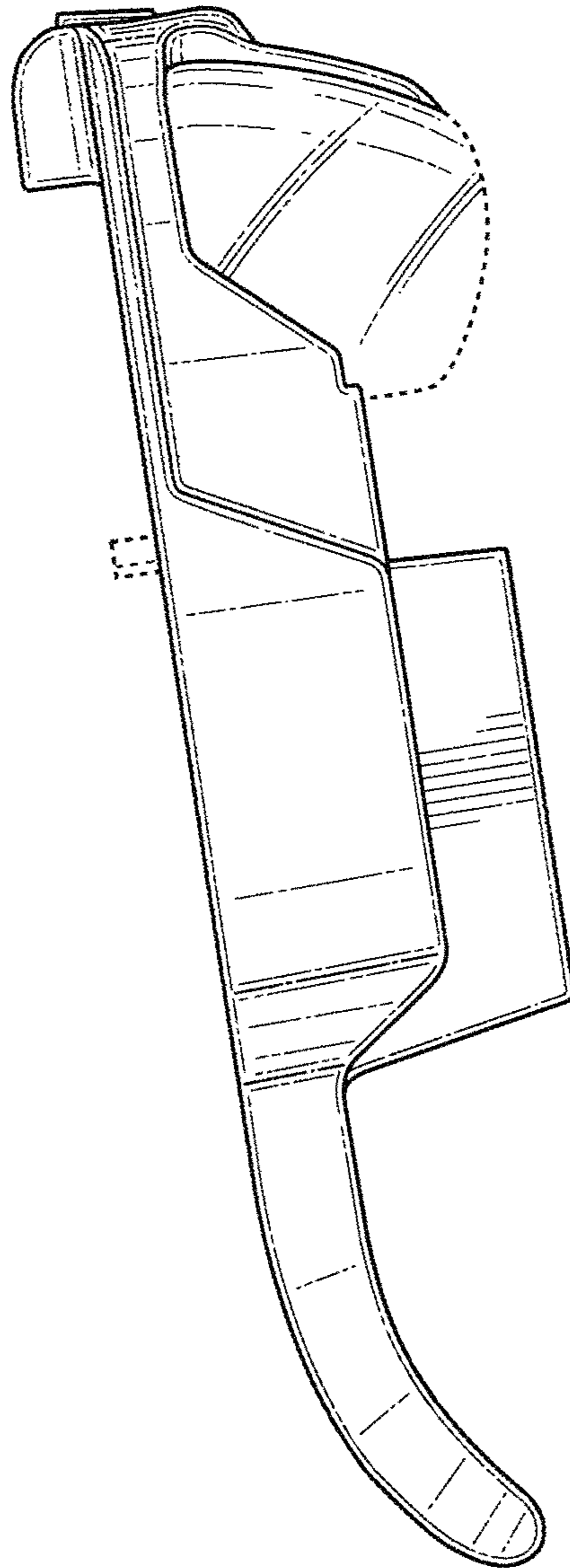


FIG. 4

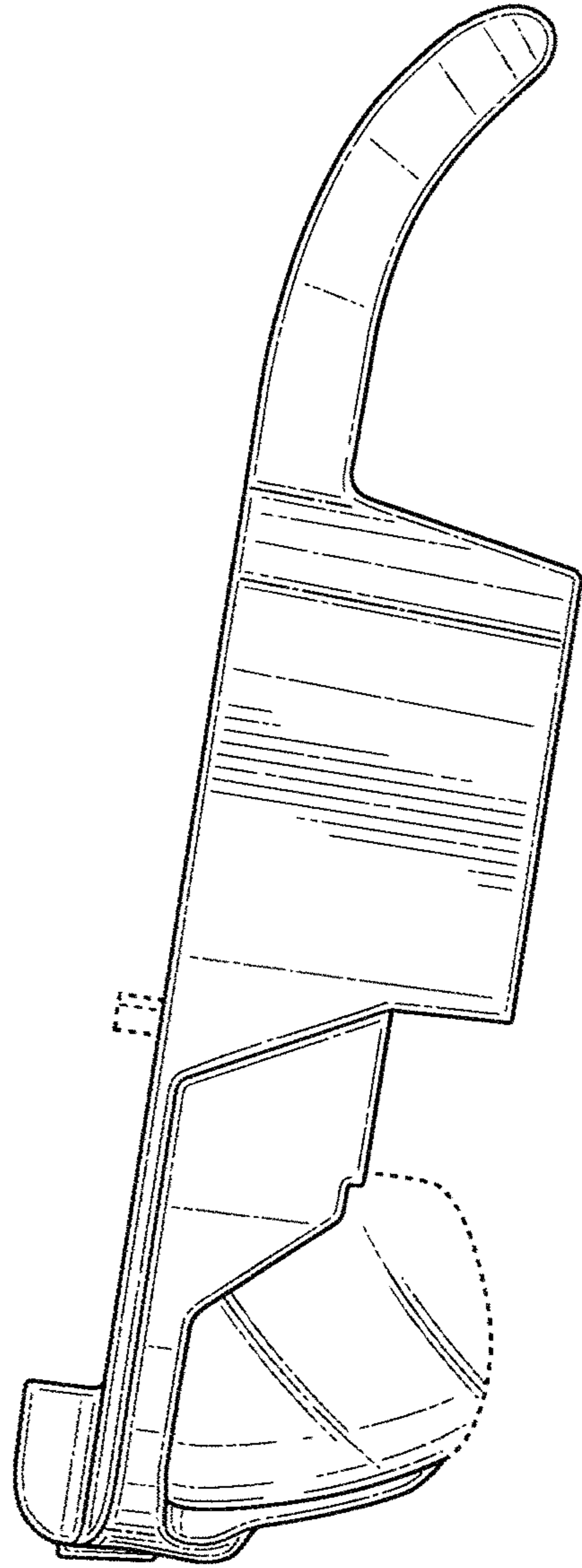


FIG. 5

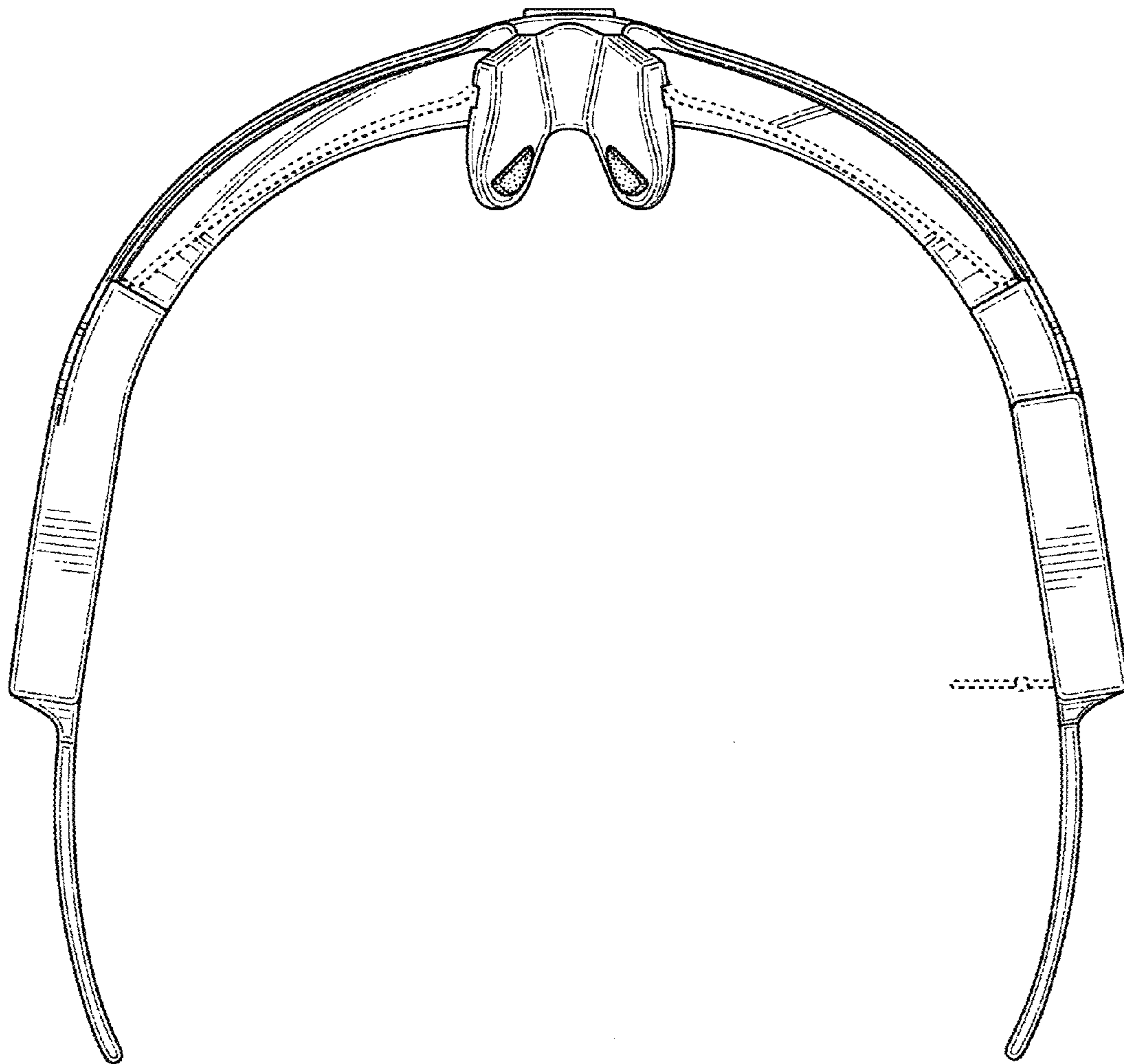


FIG. 6

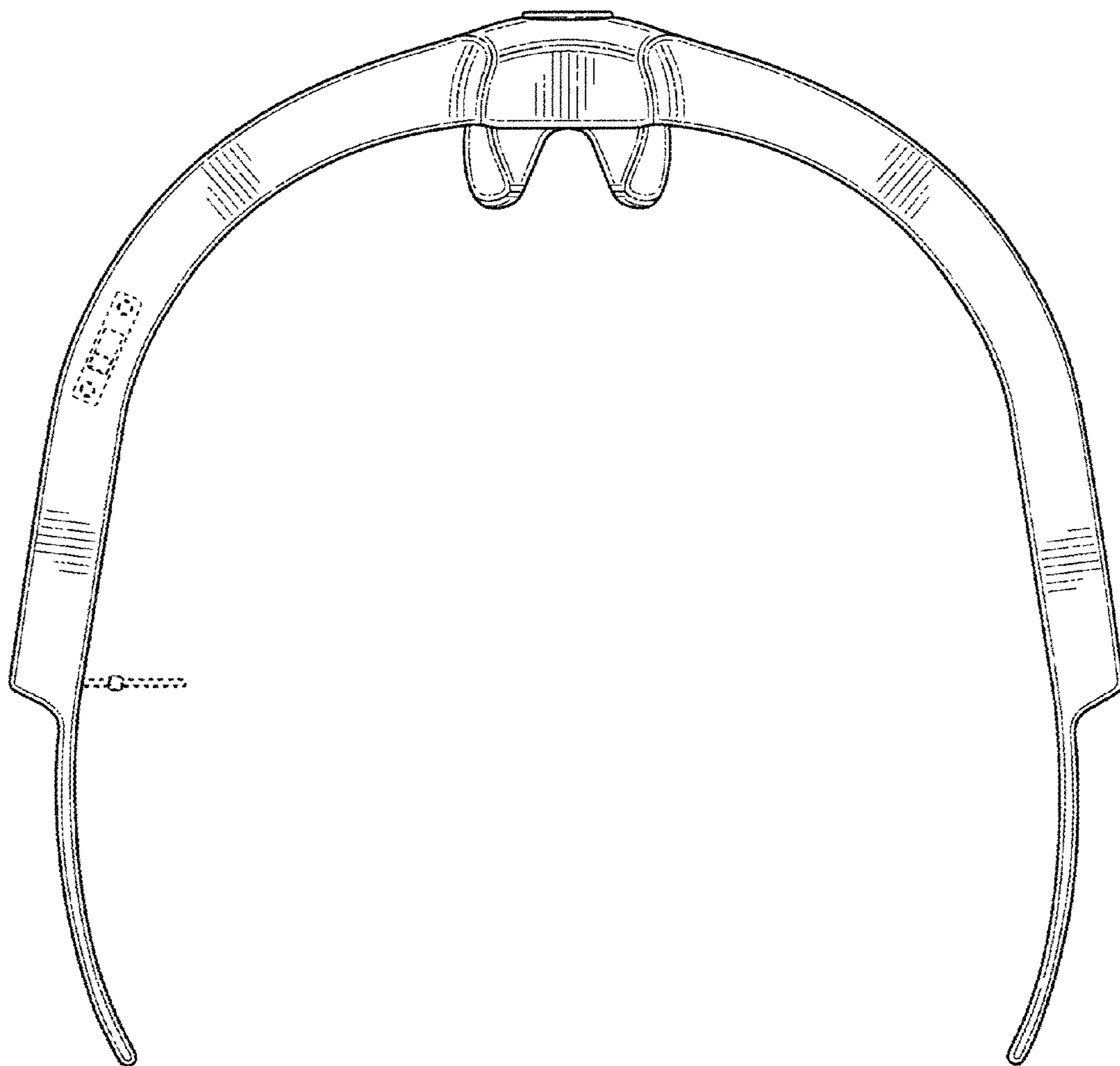


FIG. 7