



US00D770557S

(12) **United States Design Patent** (10) **Patent No.:** **US D770,557 S**
Johnson et al. (45) **Date of Patent:** **** Nov. 1, 2016**

- (54) **TRIPOD CLAW FOOT**
- (71) Applicants: **Joseph M. Johnson**, San Luis Obispo, CA (US); **Matthew L. Burk**, San Luis Obispo, CA (US)
- (72) Inventors: **Joseph M. Johnson**, San Luis Obispo, CA (US); **Matthew L. Burk**, San Luis Obispo, CA (US)
- (73) Assignee: **Really Right Stuff, LLC**, San Luis Obispo, CA (US)
- (**) Term: **15 Years**
- (21) Appl. No.: **29/531,446**
- (22) Filed: **Jun. 25, 2015**

Related U.S. Application Data

- (63) Continuation of application No. 13/366,080, filed on Feb. 3, 2012.
- (51) **LOC (10) Cl.** **16-05**
- (52) **U.S. Cl.**
USPC **D16/245**
- (58) **Field of Classification Search**
USPC D16/206, 219, 235, 237-245, 250;
D14/251, 253; D8/70, 79, 107, 303,
D8/354, 355, 356, 363, 367, 373, 380, 383,
D8/387, 388, 391, 394, 396
CPC G03B 17/56; G03B 17/561-17/568;
G02B 7/00-7/02; H04N 5/2253-5/2254;
F16M 11/04-11/12
See application file for complete search history.

(56) **References Cited**

U.S. PATENT DOCUMENTS

- D252,208 S * 6/1979 Ooya D16/219
- D254,077 S * 1/1980 Clementson D16/245
- D659,177 S * 5/2012 Chan D16/242

- D665,006 S * 8/2012 Green D16/242
- D666,662 S * 9/2012 Runnals D16/242
- D704,245 S * 5/2014 Kim D16/237
- D706,855 S * 6/2014 Matsumoto D16/244

OTHER PUBLICATIONS

- TA-3-FRC: 'Pod Foot Rock Claw. [online] Retrieved Jun. 8, 2016 from URL: <http://www.reallyrightstuff.com/TA-3-FRC-Versa-Rock-Claw>.*
- Fittest Stainless Steel Rock Claw Tripod Spikes Foot Set for Manfrotto Sachtler Bogen Gitzo RRS (set of 3). [online] Retrieved Jun. 9, 2016 from URL: <https://www.amazon.com/FITTEST-Stainless-Tripod-Manfrotto-Sachtler/dp/B00L8QW2AQ?ie=UTF8&*Version*=1&*entries*=0>.*
- Stainless steel tripod Versa Rock Claw Foot for Manfrotto Gitzo Benro Sirui Really right stuff FLM tripod. [online] First available on Aug. 22, 2014. From URL: <https://www.amazon.com/Stainless-steel-tripod-Manfrotto-Really/dp/B00MXK8RJG?ie=UTF8&*Version*=1&*entries*=0>.*
- 3 Legged Thing Clawz Steel Shoes for Tripods. [online] Retrieved Jun. 9, 2016 from URL: <http://www.bhphotovideo.com/c/product/1244097-REG/3_legged_13_thing_eqclawz_claws_steel_shoes_for.html>.*

* cited by examiner

Primary Examiner — Vy Koenig

(74) *Attorney, Agent, or Firm* — Chernoff Vilhauer McClung & Stenzel, LLC

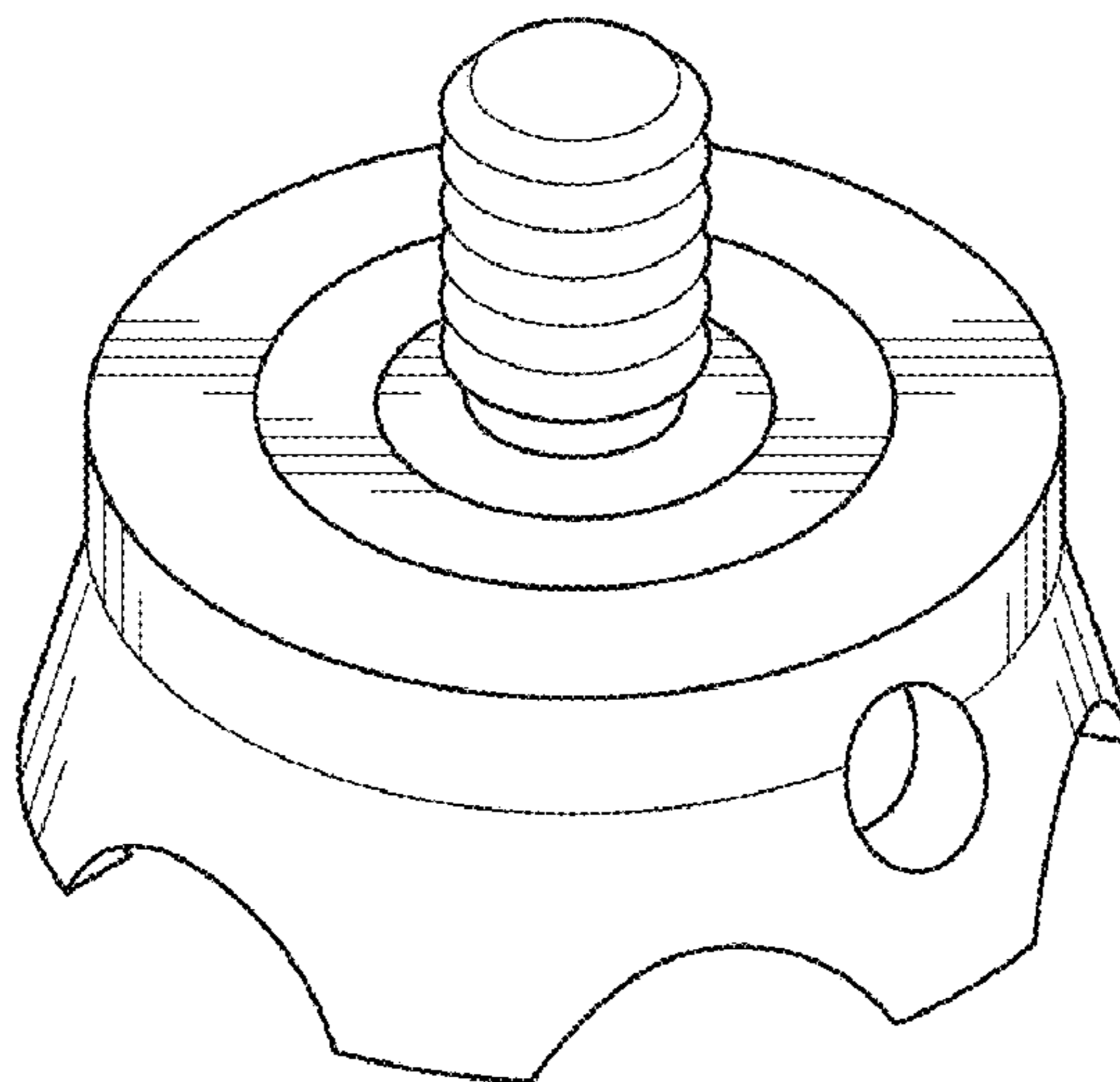
(57) **CLAIM**

The ornamental design for a tripod claw foot, as shown and described.

DESCRIPTION

FIG. 1 is a lower perspective view of a tripod claw foot. FIG. 2 is an upper perspective view of the tripod claw foot. FIG. 3 is a top plan view of the tripod claw foot. FIG. 4 is a side elevational view of the tripod claw foot; and, FIG. 5 is a bottom plan view of the tripod claw foot.

1 Claim, 2 Drawing Sheets



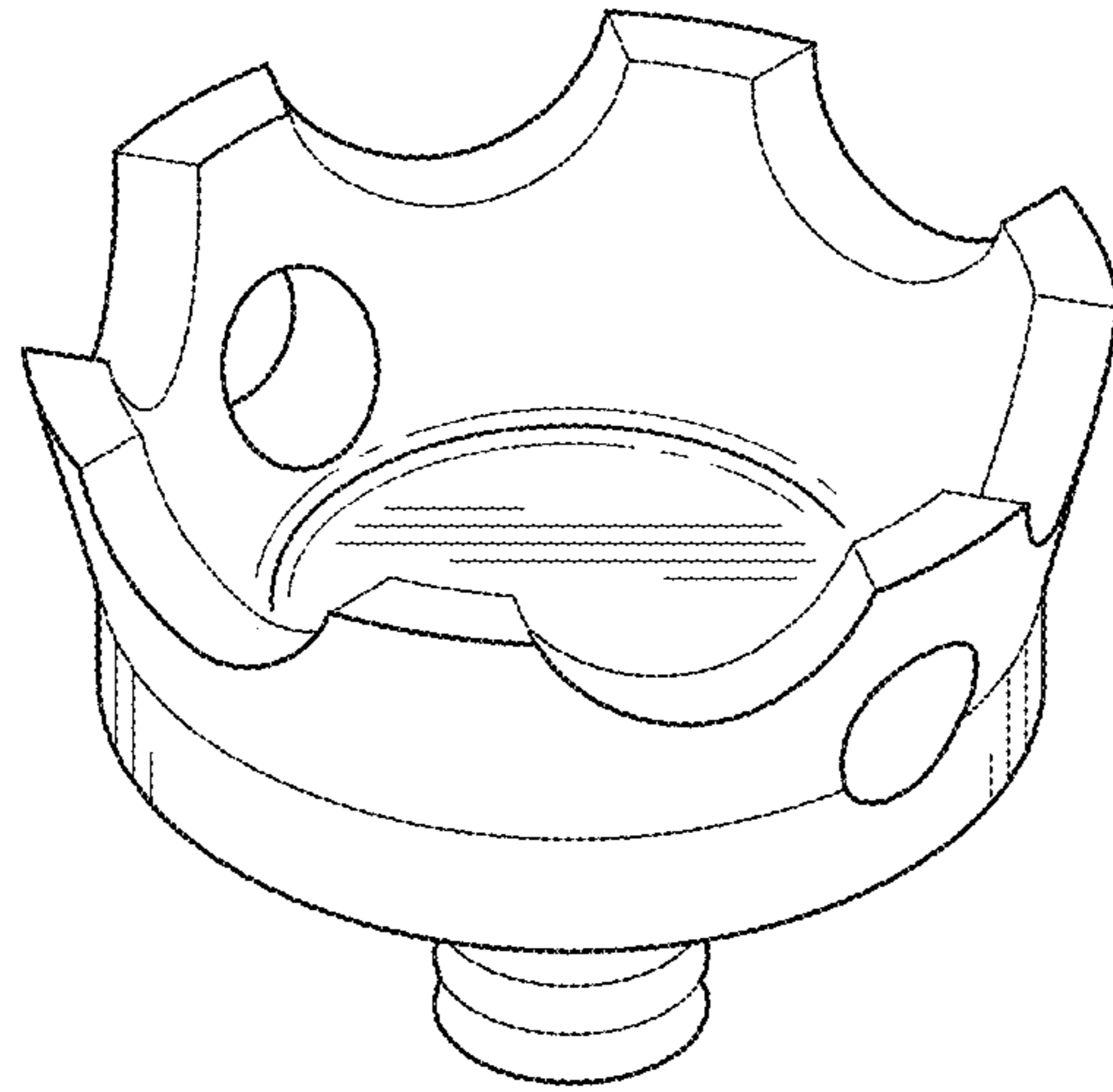


FIG. 1

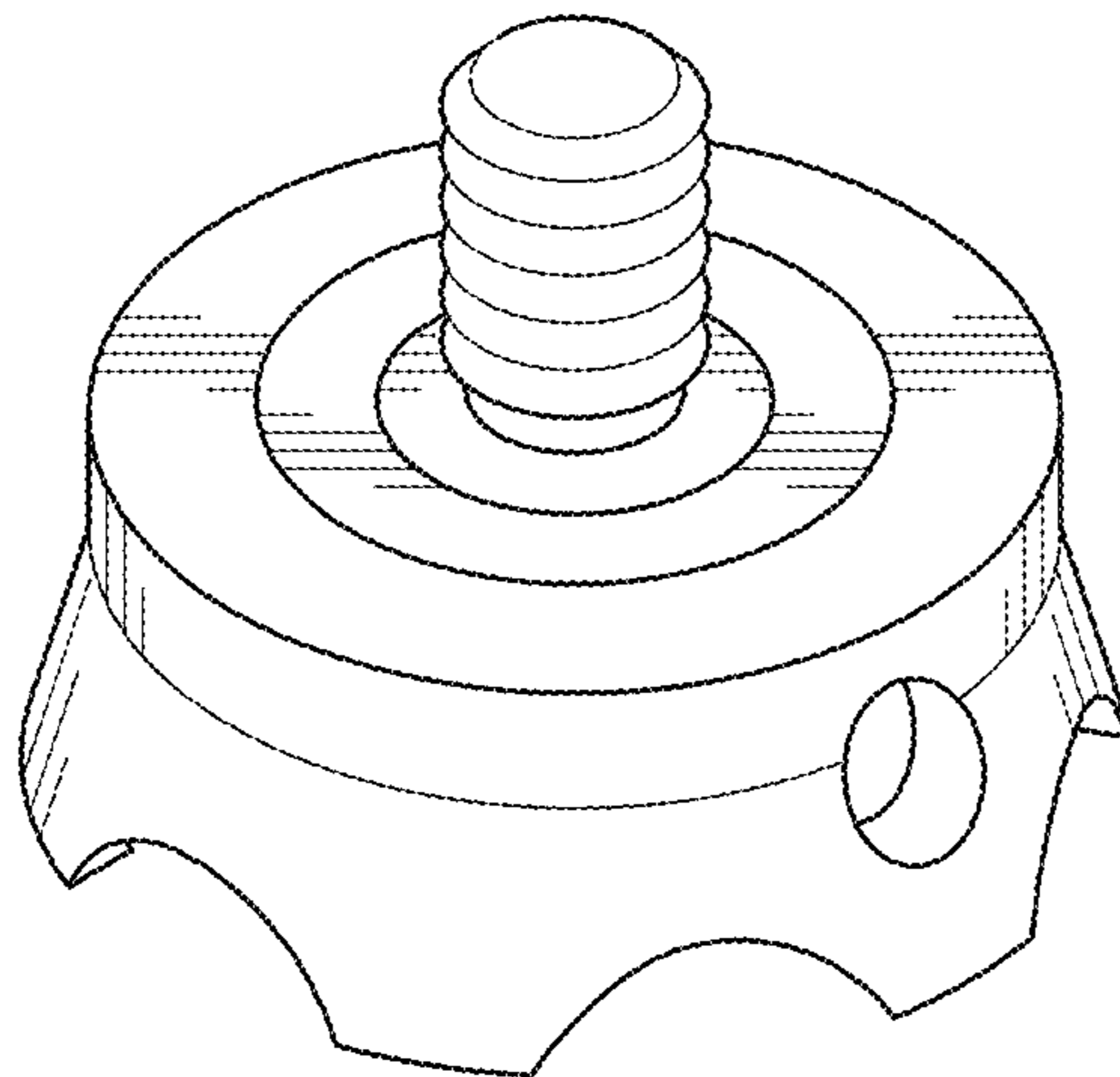


FIG. 2

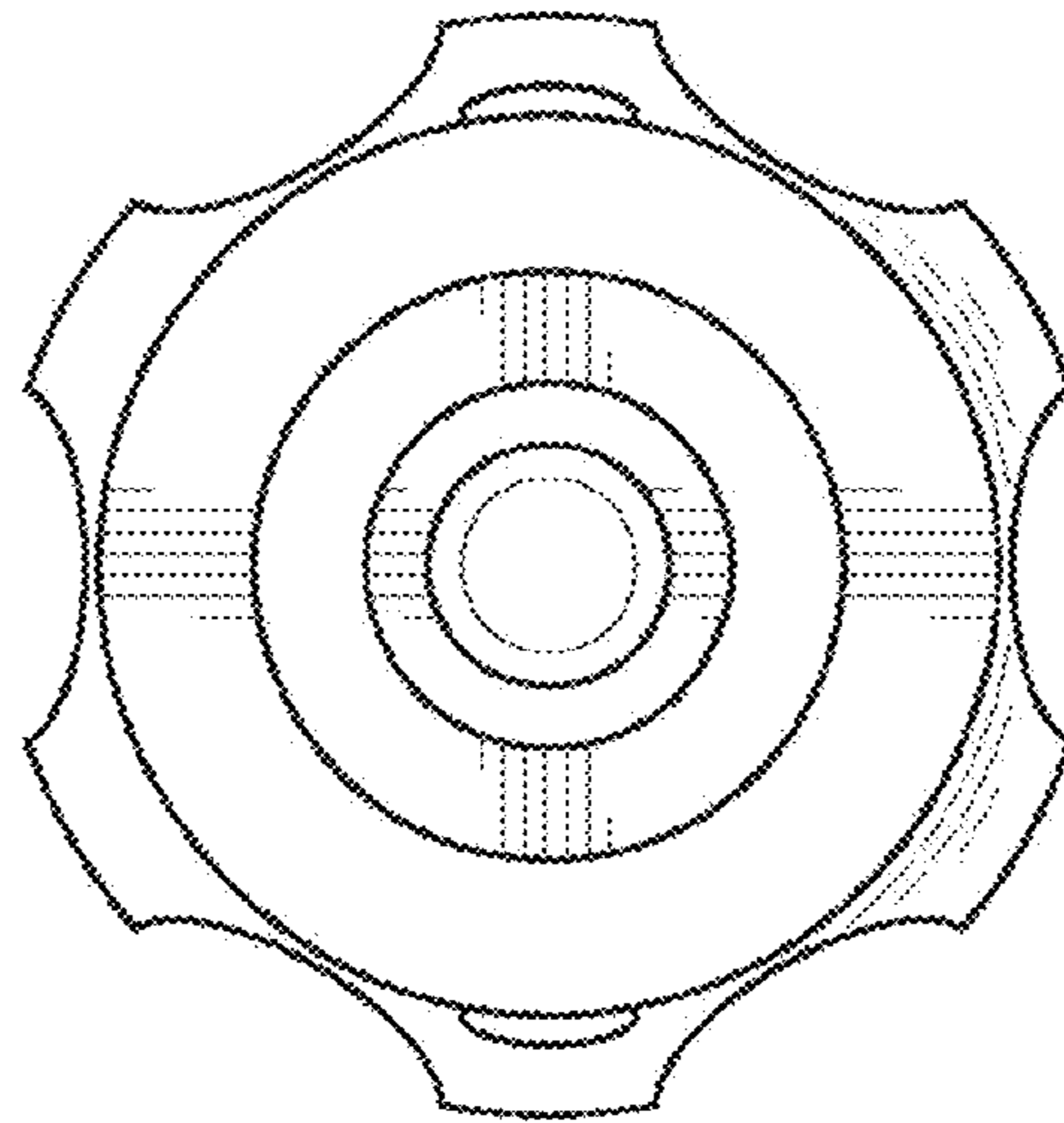


FIG. 3

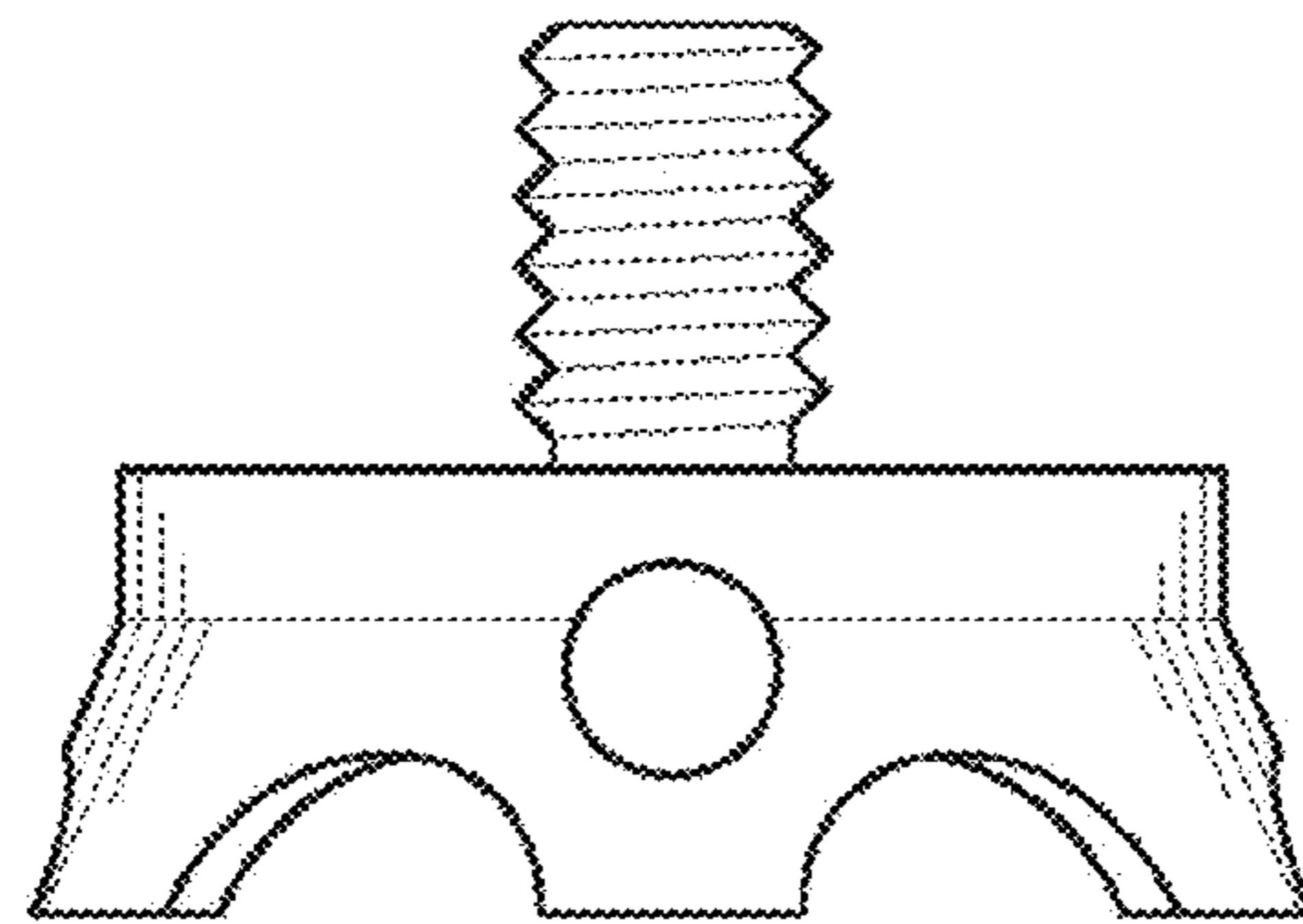


FIG. 4

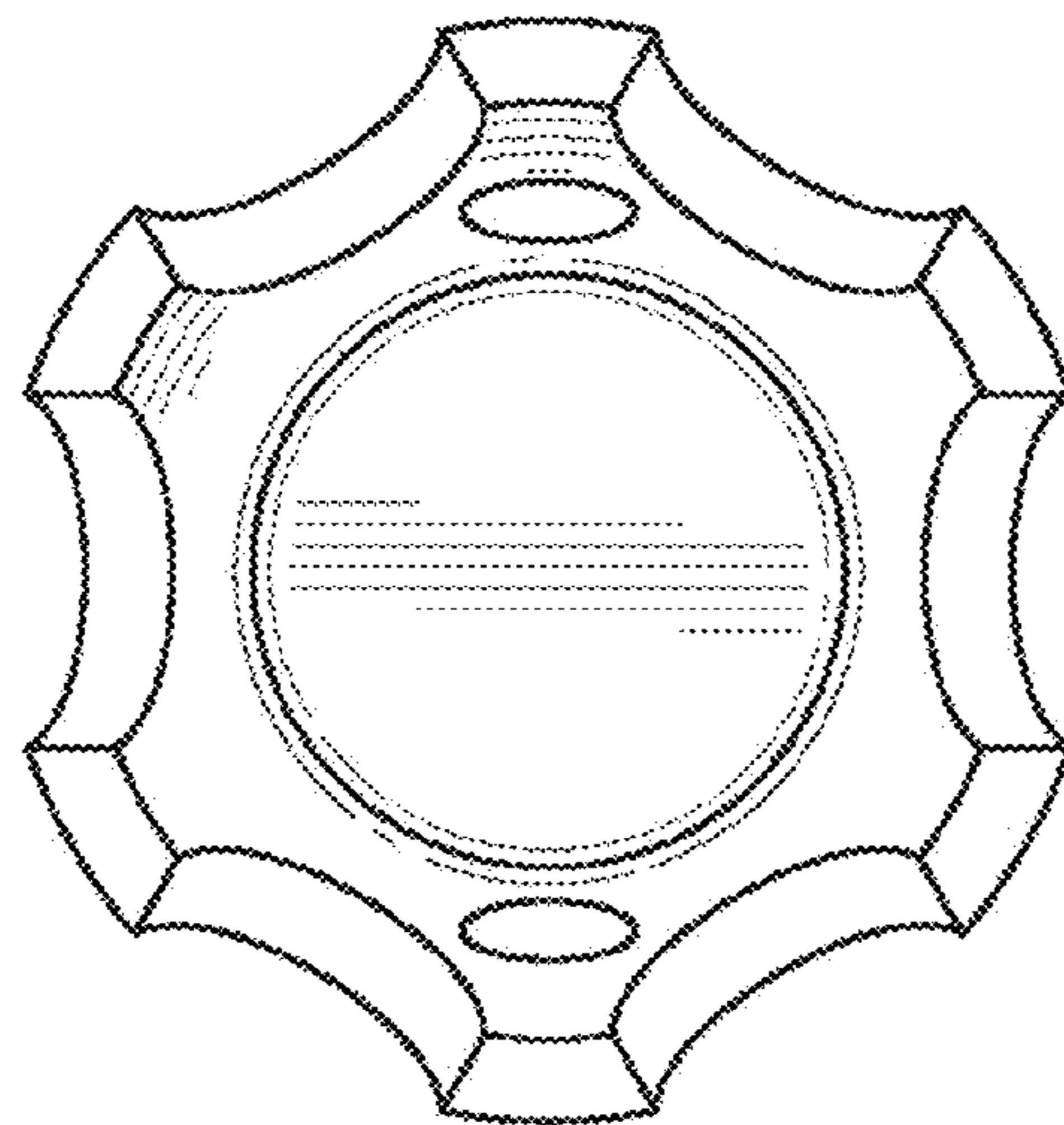


FIG. 5