



US00D770556S

(12) **United States Design Patent** (10) **Patent No.:** **US D770,556 S**
Sharma et al. (45) **Date of Patent:** **** Nov. 1, 2016**

- (54) **CAMERA ADAPTER**
- (71) Applicant: **Tangible Play, Inc.**, San Jose, CA (US)
- (72) Inventors: **Pramod Kumar Sharma**, San Jose, CA (US); **Jerome Scholler**, San Francisco, CA (US)
- (73) Assignee: **Tangible Play, Inc.**, San Jose, CA (US)
- (**) Term: **14 Years**
- (21) Appl. No.: **29/520,181**
- (22) Filed: **Mar. 12, 2015**

Related U.S. Application Data

- (63) Continuation-in-part of application No. 13/928,111, filed on Jun. 26, 2013, now Pat. No. 9,158,389.
- (51) **LOC (10) Cl.** **16-05**
- (52) **U.S. Cl.**
USPC **D16/237**
- (58) **Field of Classification Search**
USPC D16/134, 136, 208, 213–219, 235, D16/237–245, 250; D14/203.4, 218, 224, D14/250–253, 345, 440, 449; D8/349, 363, D8/373, 382, 394
CPC G03B 17/02–17/04; G03B 17/14; G03B 17/56; G03B 17/561–17/568; G03B 21/20–21/2066; G03B 15/041–15/0436; G02B 7/02–7/04; G02B 7/14; H04N 5/2251–5/2554; F16M 11/02; F16M 11/20; F16M 11/40
See application file for complete search history.

(56) **References Cited**

U.S. PATENT DOCUMENTS

- D310,185 S * 8/1990 Tick D11/182
- D351,890 S * 10/1994 Rasmusson D22/147
- D365,588 S * 12/1995 Fernandez D16/242
- D409,895 S * 5/1999 Schron, Jr. D8/349

- D476,555 S * 7/2003 Niwa D6/328
- D535,869 S * 1/2007 Brunsteter D8/382
- D545,183 S * 6/2007 French D8/394
- D563,452 S * 3/2008 Tan D16/237
- 7,777,899 B1 8/2010 Hildreth
- D658,977 S * 5/2012 Riddell D8/394
- 8,274,535 B2 9/2012 Hildreth et al.
- D682,463 S * 5/2013 Bernard D26/140
- 8,624,932 B2 1/2014 Hildreth et al.
- D716,362 S * 10/2014 Generotti D16/237
- D726,804 S * 4/2015 Voss D16/237
- 9,158,389 B1 10/2015 Sharma et al.
- 9,354,716 B1 5/2016 Sharma et al.
- 2011/0298724 A1 12/2011 Ameling et al.

* cited by examiner

Primary Examiner — Vy Koenig

(74) *Attorney, Agent, or Firm* — Patent Law Works LLP

(57) **CLAIM**

The ornamental design for a camera adapter, as shown and described.

DESCRIPTION

FIG. 1 is a top perspective view of a camera adapter showing the new design.

FIG. 2 is a bottom perspective view of the camera adapter showing the new design.

FIG. 3 is a front or rear (the front and rear appearing identical) view of the camera adapter showing the new design.

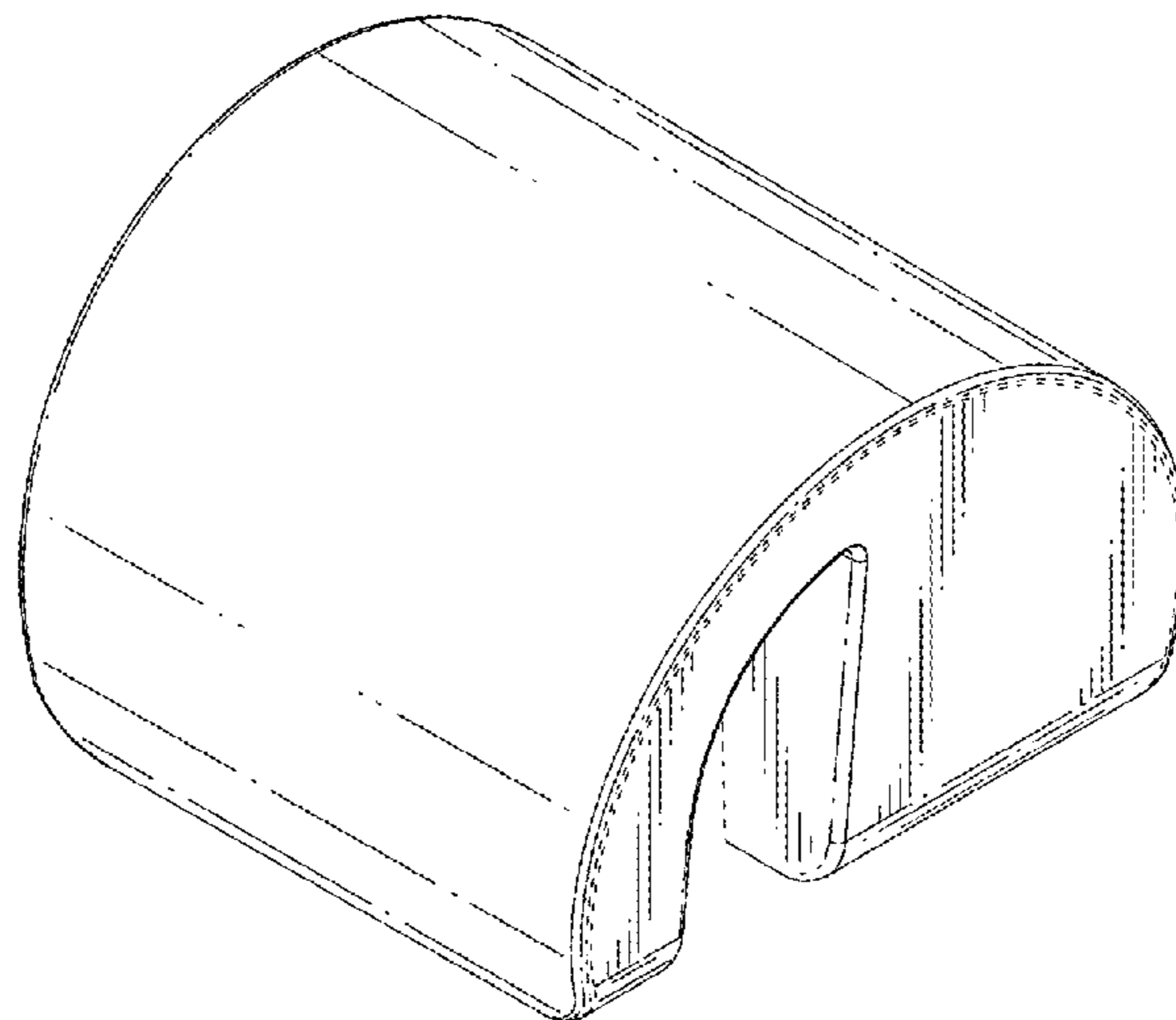
FIG. 4 is a left side view of the camera adapter showing the new design (a right side view being a mirror image of the left side view).

FIG. 5 is a top view of the camera adapter showing the new design; and,

FIG. 6 is a bottom view of the camera adapter showing the new design.

Within the drawings, the dashed lines and areas within the dashed lines depict portions of the camera adapter that form no part of the claimed design.

1 Claim, 3 Drawing Sheets



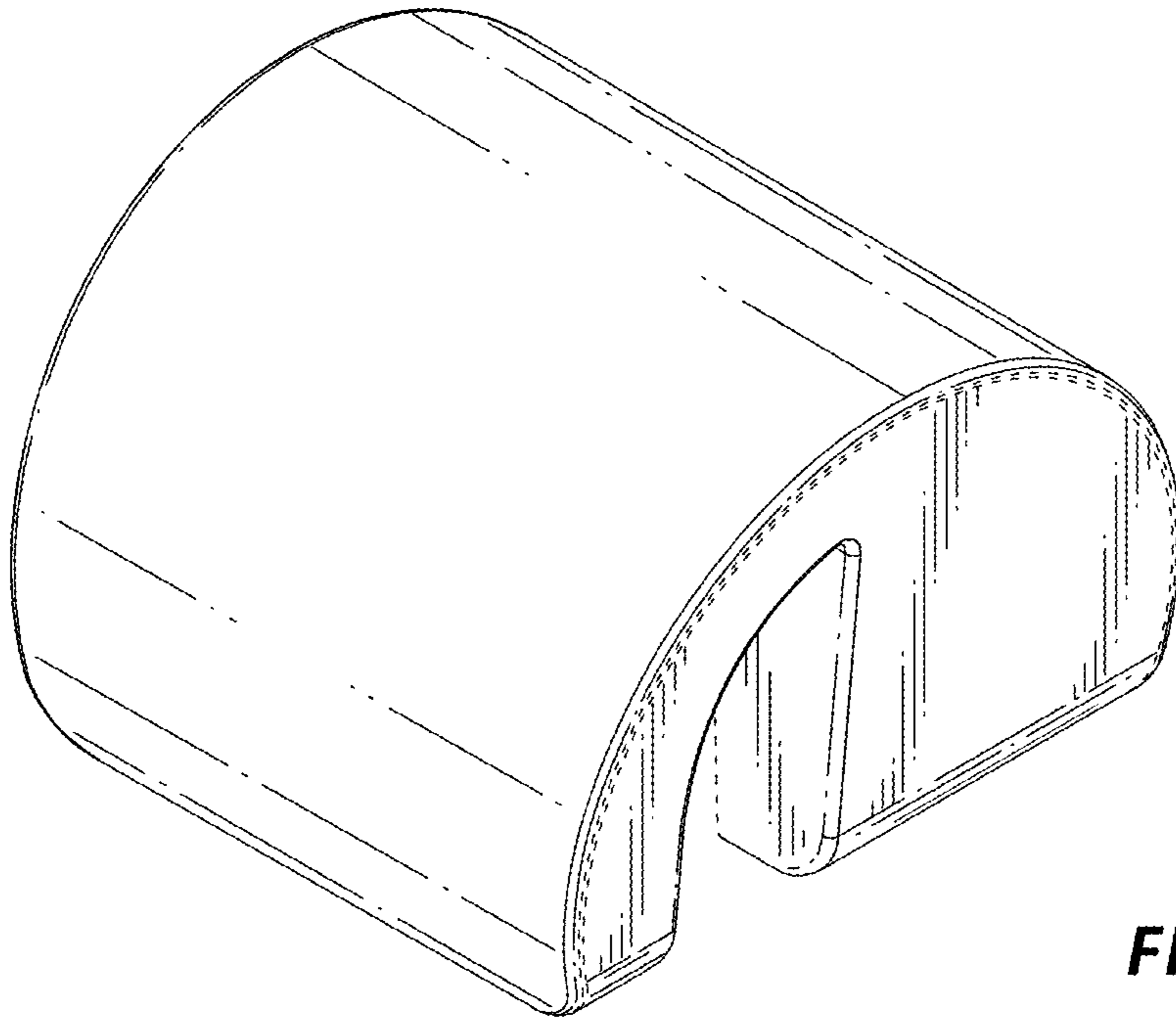


FIG. 1

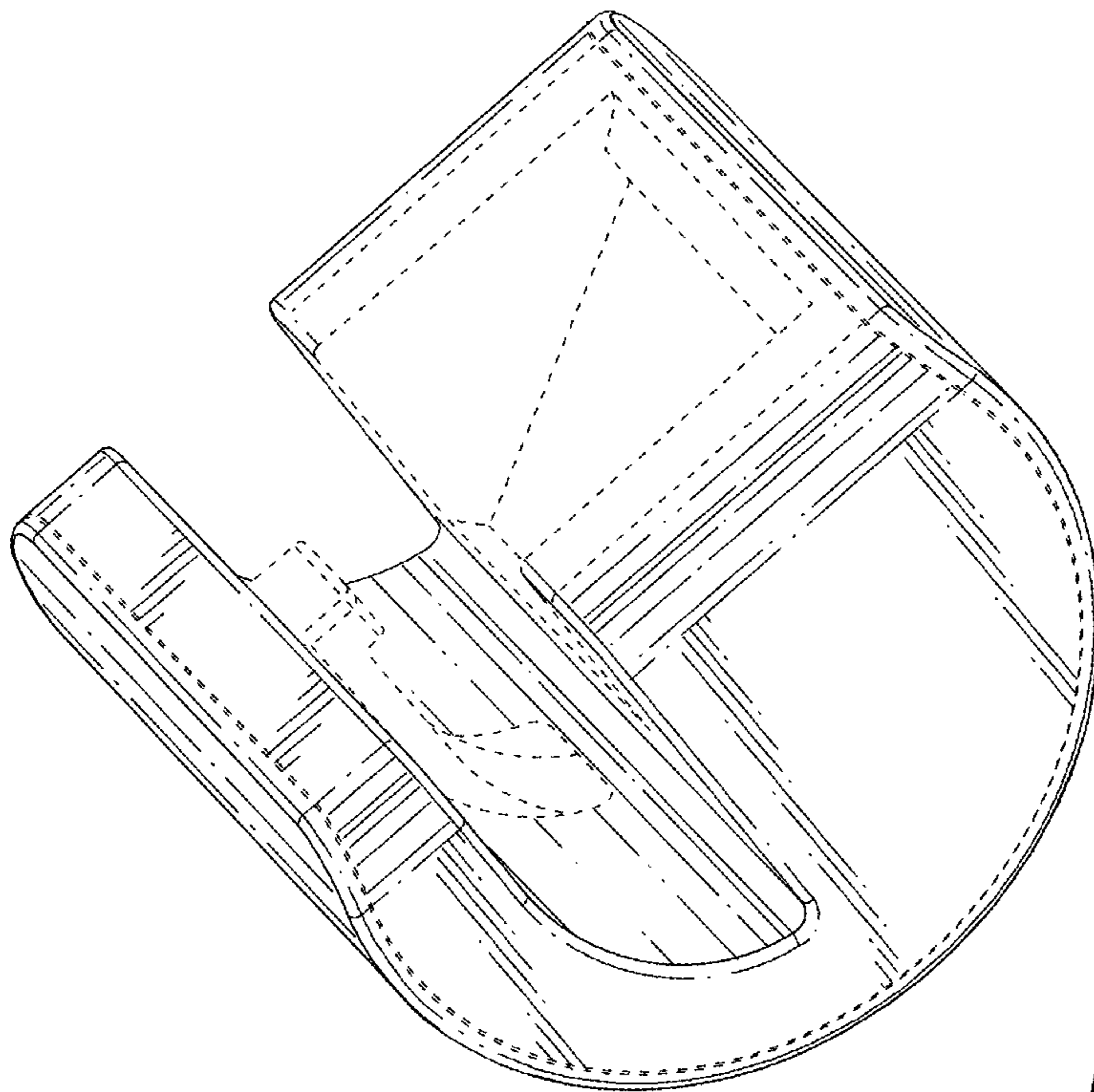


FIG. 2

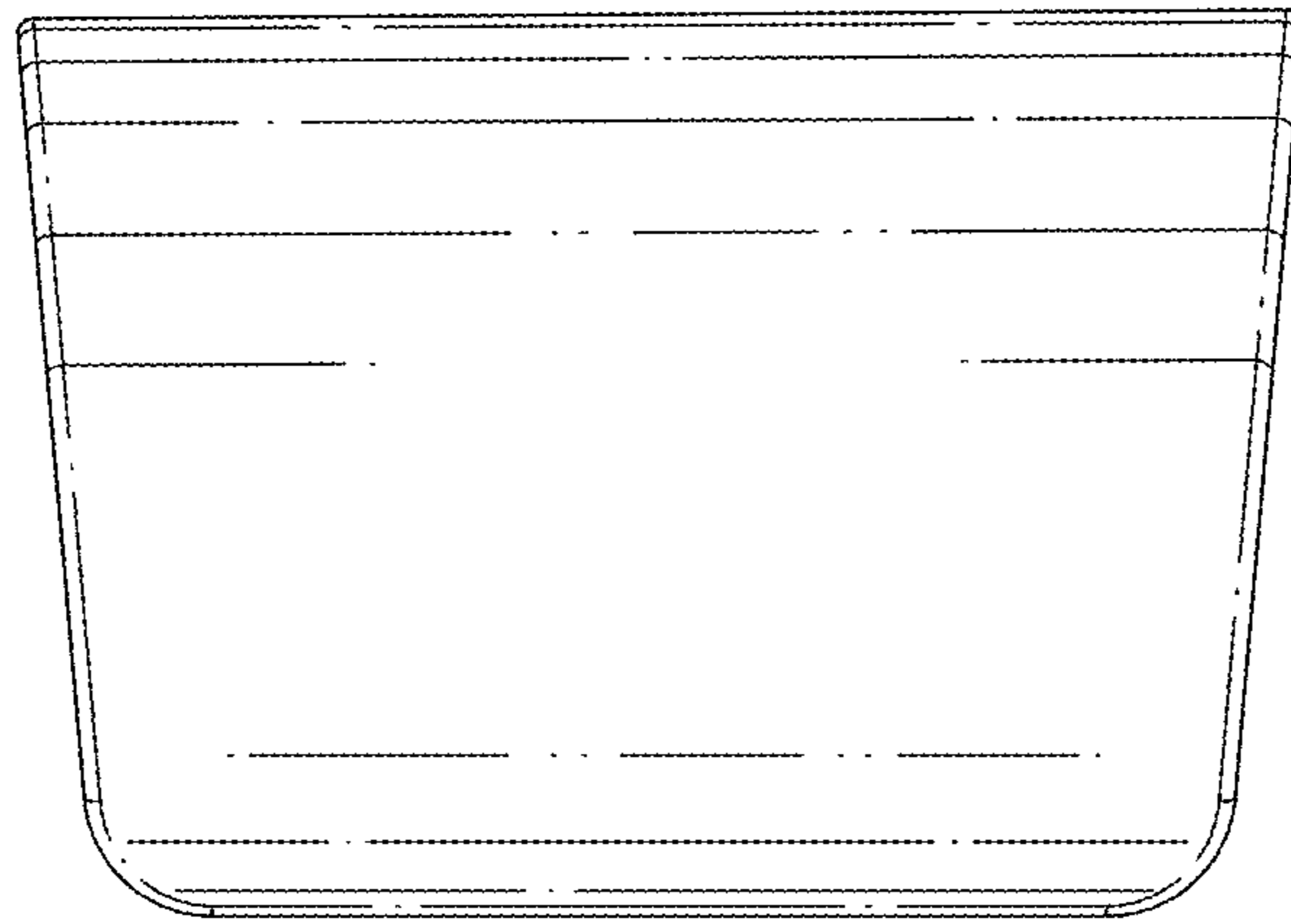


FIG. 3

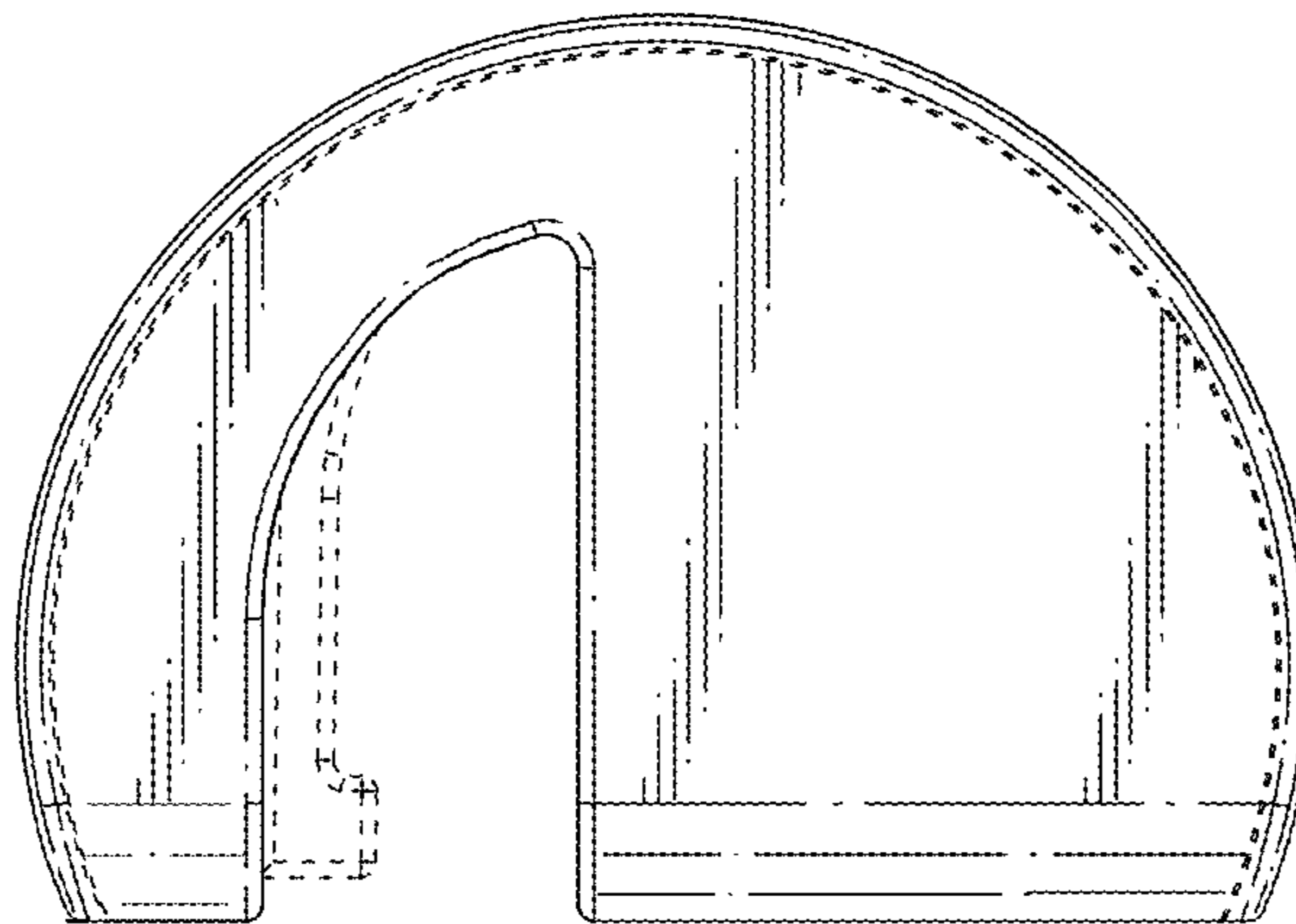


FIG. 4

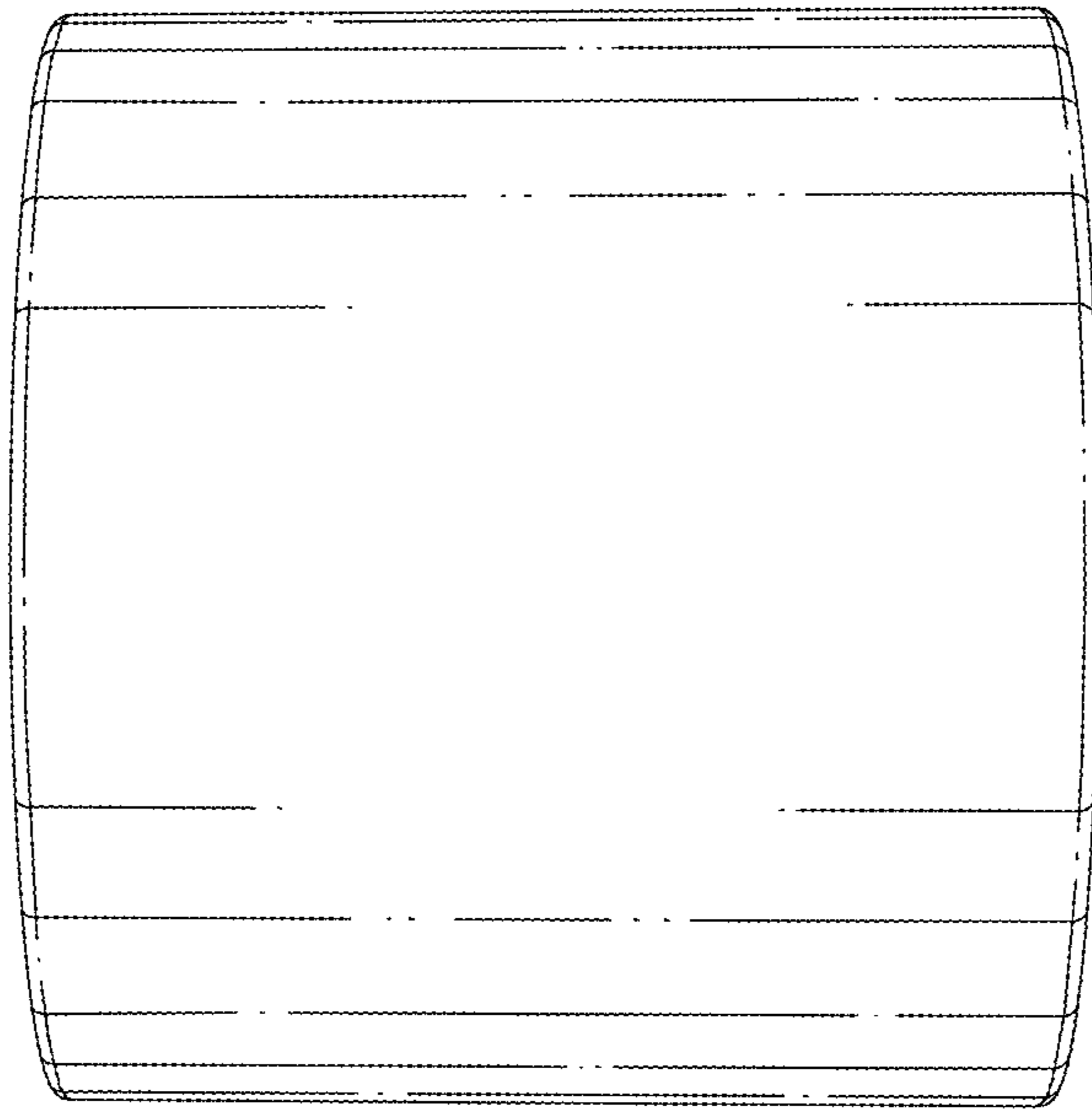


FIG. 5

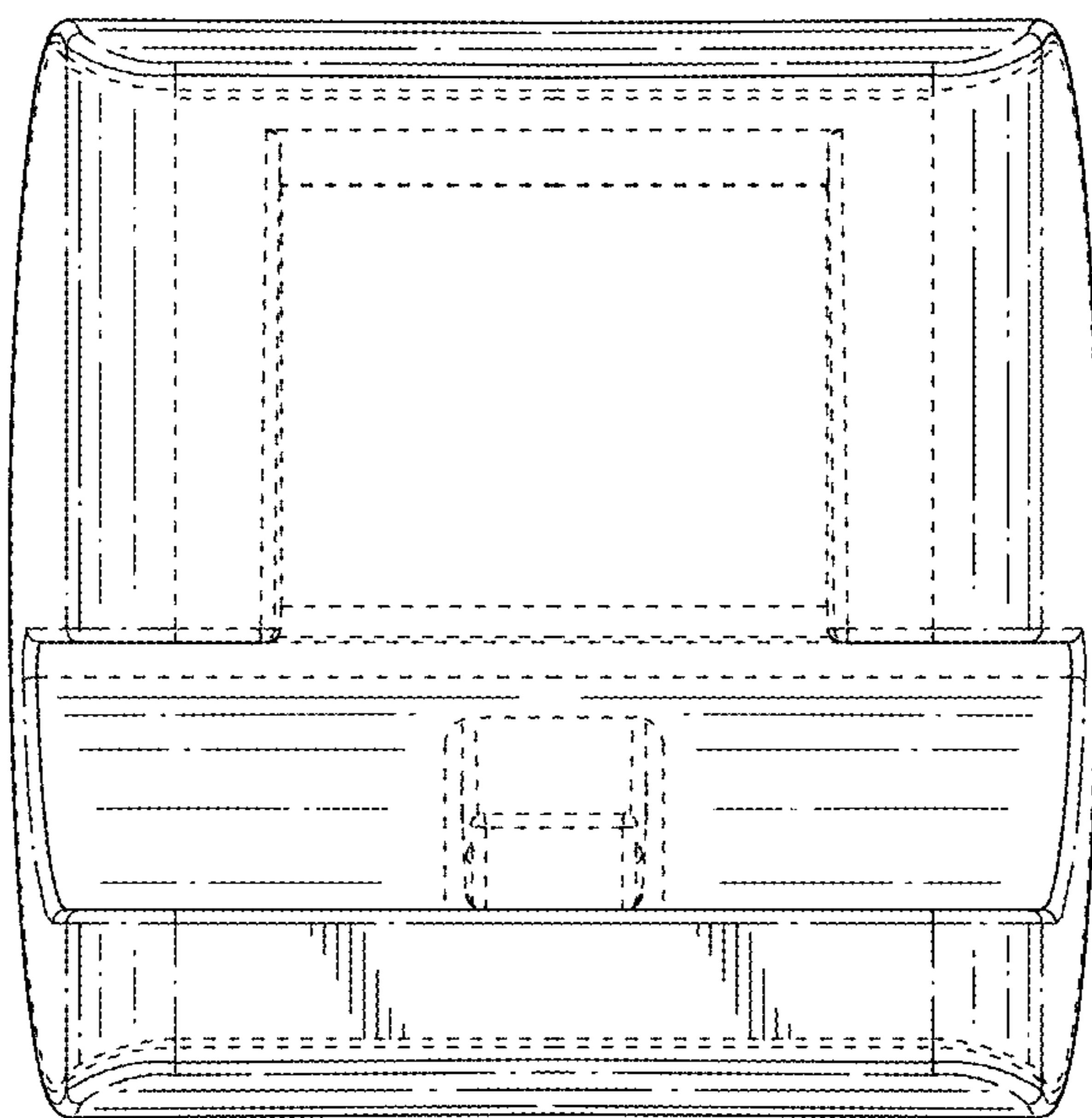


FIG. 6