



US00D770555S

(12) **United States Design Patent** (10) **Patent No.:** **US D770,555 S**  
**Lee** (45) **Date of Patent:** **\*\* Nov. 1, 2016**

(54) **SURVEILLANCE CAMERA COVER**  
(71) Applicant: **POWERTECH ELECTRONICS Co., Ltd.**, Incheon (KR)  
(72) Inventor: **Cheong Ho Lee**, Incheon (KR)  
(73) Assignee: **POWERTECH ELECTRONICS Co., Ltd.**, Incheon (KR)

D599,040 S \* 8/2009 Alexander ..... D26/1  
D629,555 S \* 12/2010 Hiratsuka ..... D26/118  
8,188,842 B2 \* 5/2012 Otsuka ..... G08C 17/02  
340/12.15  
D666,175 S \* 8/2012 Yamada ..... D14/218  
D666,176 S \* 8/2012 Yamada ..... D14/218  
D700,904 S \* 3/2014 Miller ..... D13/168  
D702,279 S \* 4/2014 Zhan ..... D16/239  
2003/0122698 A1 \* 7/2003 Horie ..... G06F 3/0231  
341/176

(\*\*) Term: **14 Years**  
(21) Appl. No.: **29/510,482**  
(22) Filed: **Nov. 28, 2014**

\* cited by examiner

*Primary Examiner* — Vy Koenig  
(74) *Attorney, Agent, or Firm* — David W. Anderson;  
Abel Law Group, LLP

(30) **Foreign Application Priority Data**  
May 30, 2014 (KR) ..... 30-2014-0026740  
(51) **LOC (10) Cl.** ..... **16-05**  
(52) **U.S. Cl.**  
USPC ..... **D16/237**  
(58) **Field of Classification Search**  
USPC ..... D16/134, 136, 208, 213–219, 235, 237,  
D16/239–242, 245; D14/203.4, 218, 250,  
D14/345, 440, 449; D3/205, 227, 247, 263,  
D3/267, 268, 298; D13/103, 108, 168  
CPC ..... G03B 17/02–17/04; G03B 17/14;  
G03B 17/56; G03B 17/561–17/568; G03B  
21/20–21/2066; G03B 15/041–15/0436;  
G02B 7/02–7/04; G02B 7/14; H04N  
5/2251–5/2554  
See application file for complete search history.

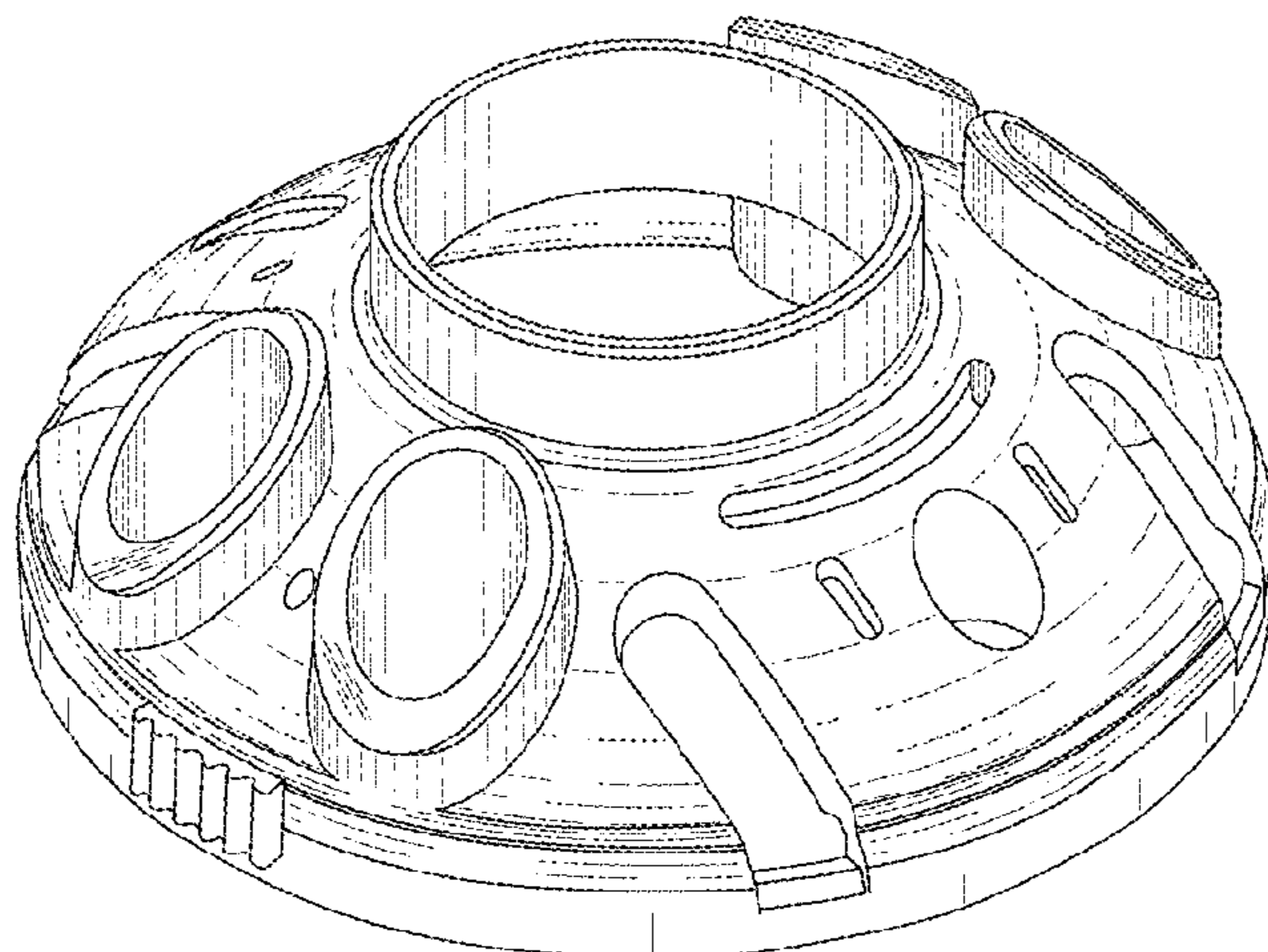
(57) **CLAIM**  
The ornamental design for a surveillance camera cover, as shown and described.

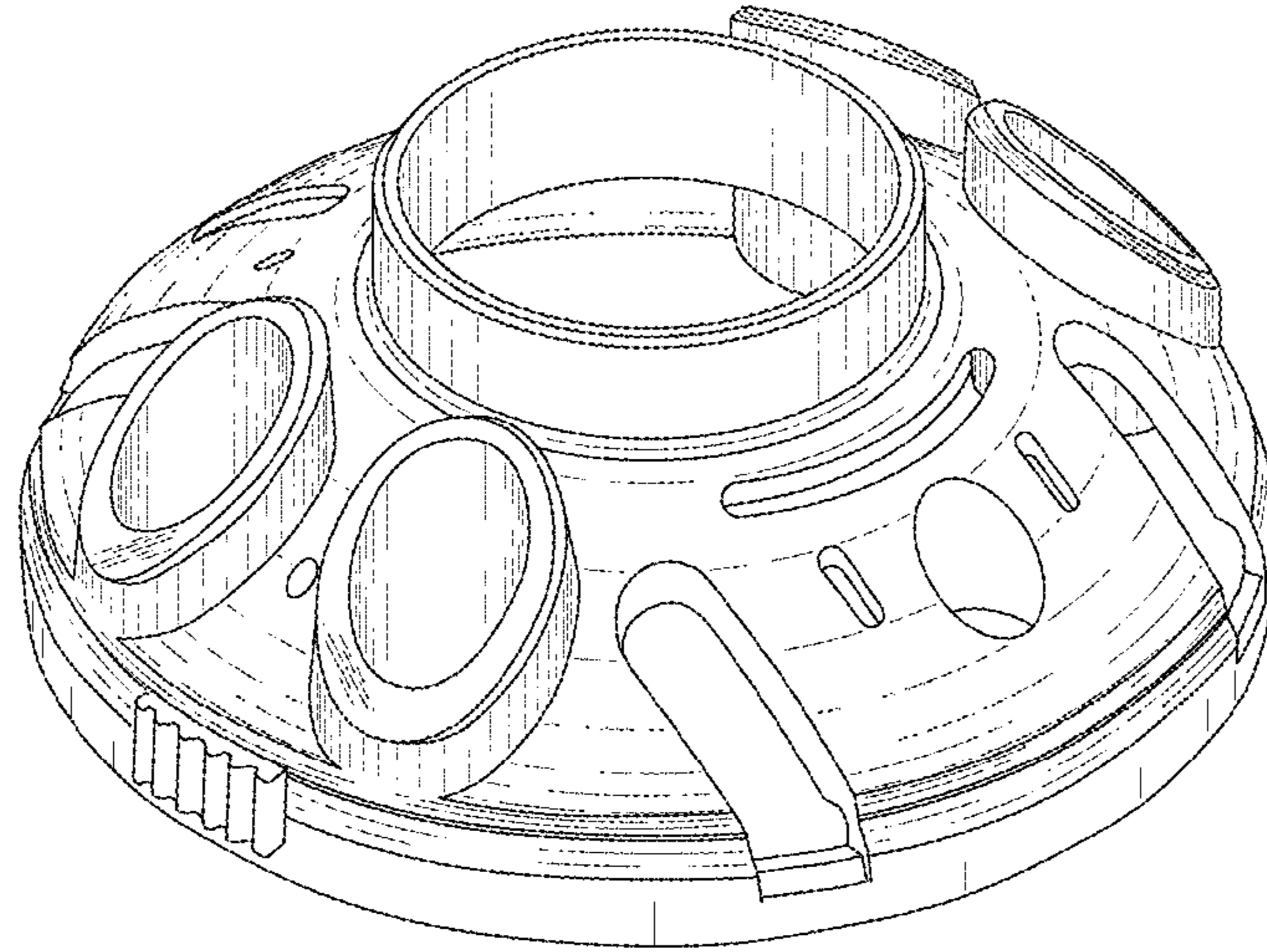
**DESCRIPTION**

FIG. 1 includes a top perspective view of a surveillance camera cover;  
FIG. 2 includes a front elevation view of the surveillance camera cover of FIG. 1;  
FIG. 3 includes a rear elevation view of the surveillance camera cover of FIG. 1;  
FIG. 4 includes a left side elevation view of the surveillance camera cover of FIG. 1;  
FIG. 5 includes a right side perspective view of the surveillance camera cover of FIG. 1;  
FIG. 6 includes a top plan view of the surveillance camera cover of FIG. 1;  
FIG. 7 includes a bottom plan view of the surveillance camera cover of FIG. 1, and the broken lines shown in FIG. 7 represent portions of the surveillance camera cover that form no part of the claimed design; and,  
FIG. 8 includes a top perspective view of the surveillance camera cover installed on an unclaimed camera. The broken lines of FIG. 8 represent unclaimed subject matter.

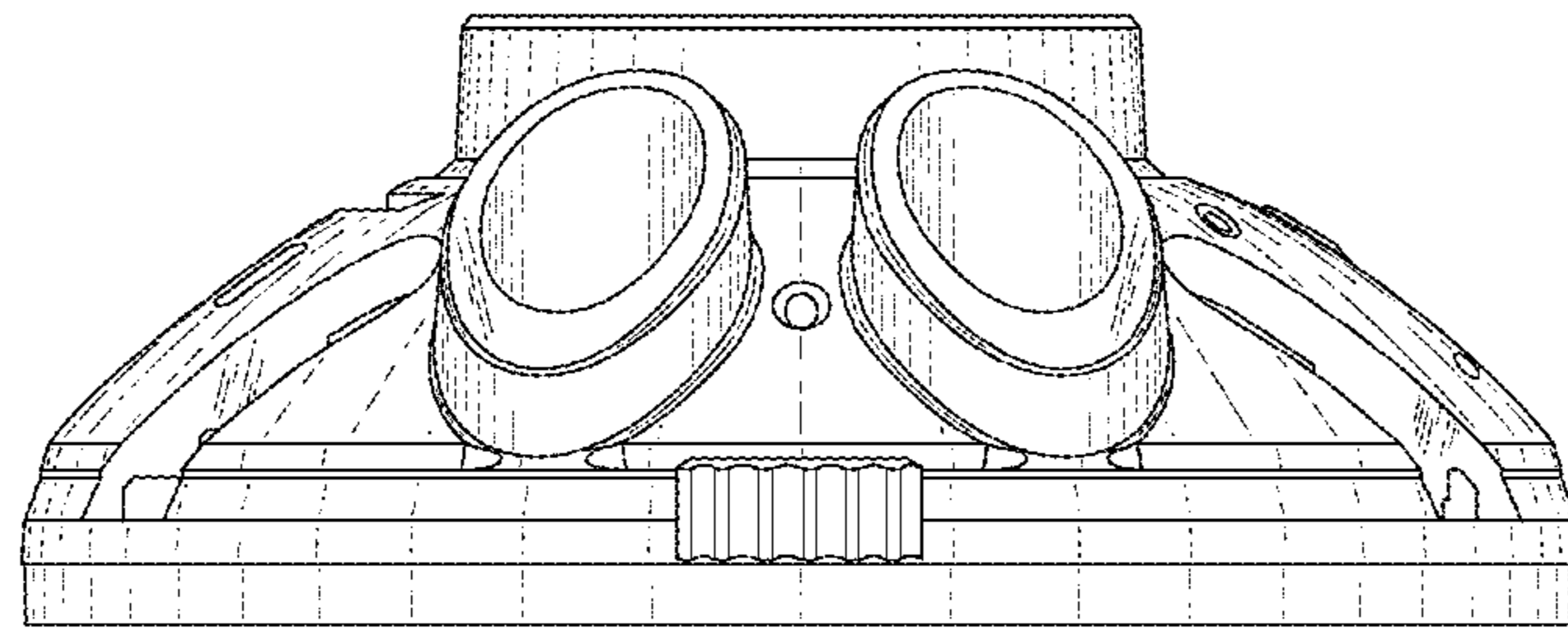
(56) **References Cited**  
U.S. PATENT DOCUMENTS  
D268,601 S \* 4/1983 Lee ..... D21/324  
D371,791 S \* 7/1996 Patton ..... D14/218  
D371,793 S \* 7/1996 Patton ..... D14/218  
D516,073 S \* 2/2006 Boswell ..... D14/399  
D526,973 S \* 8/2006 Gates ..... D13/168

**1 Claim, 4 Drawing Sheets**

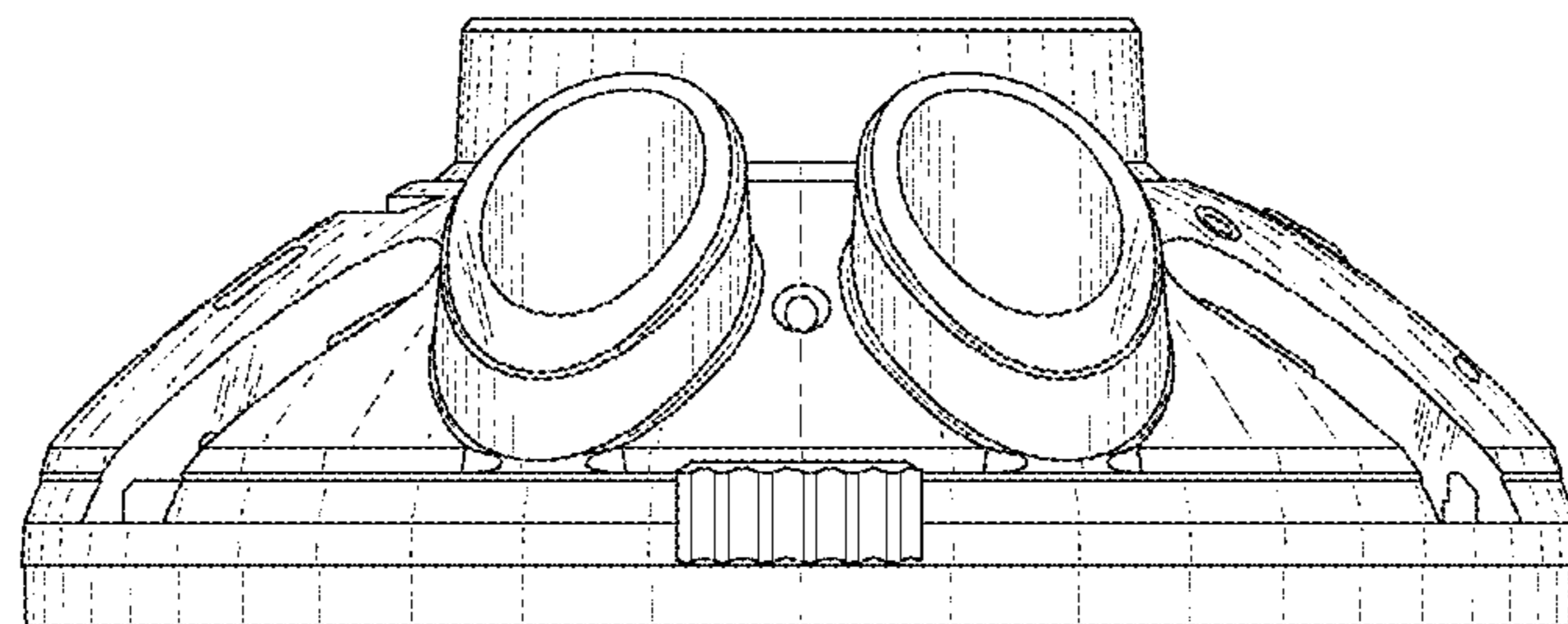




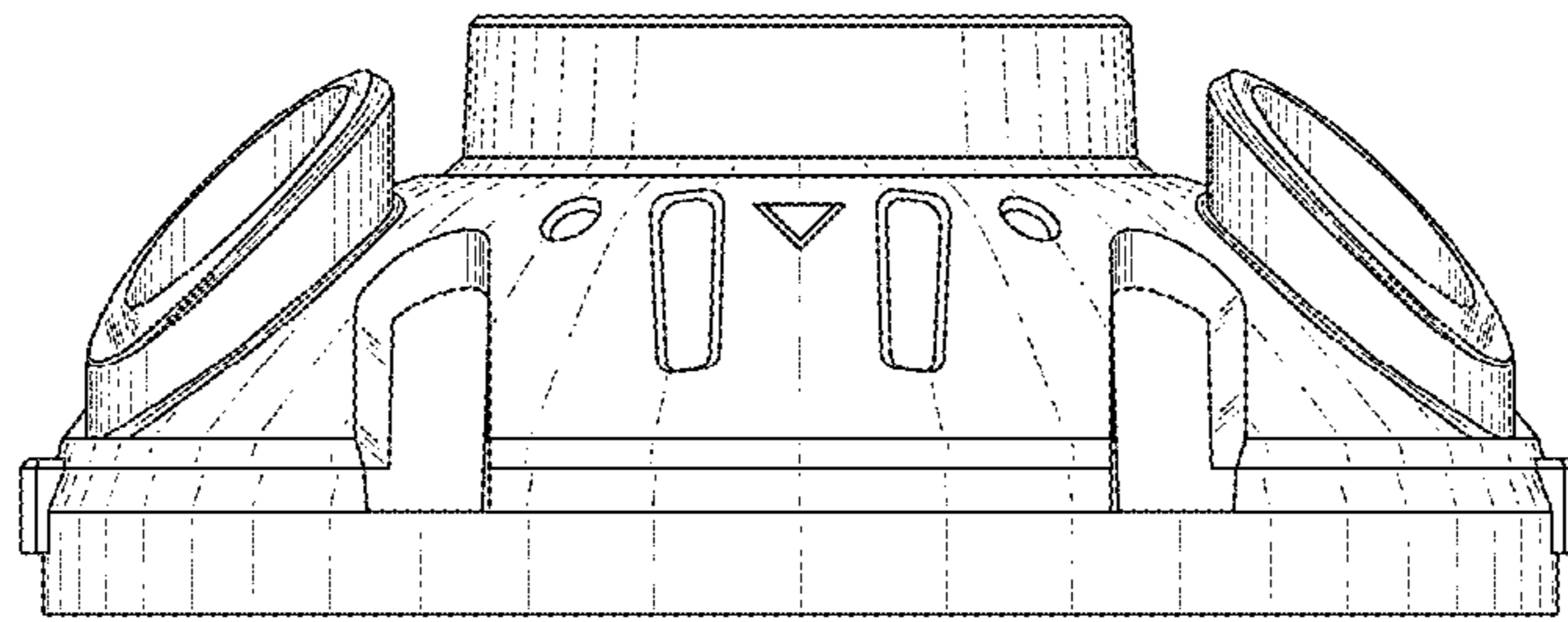
*FIG. 1*



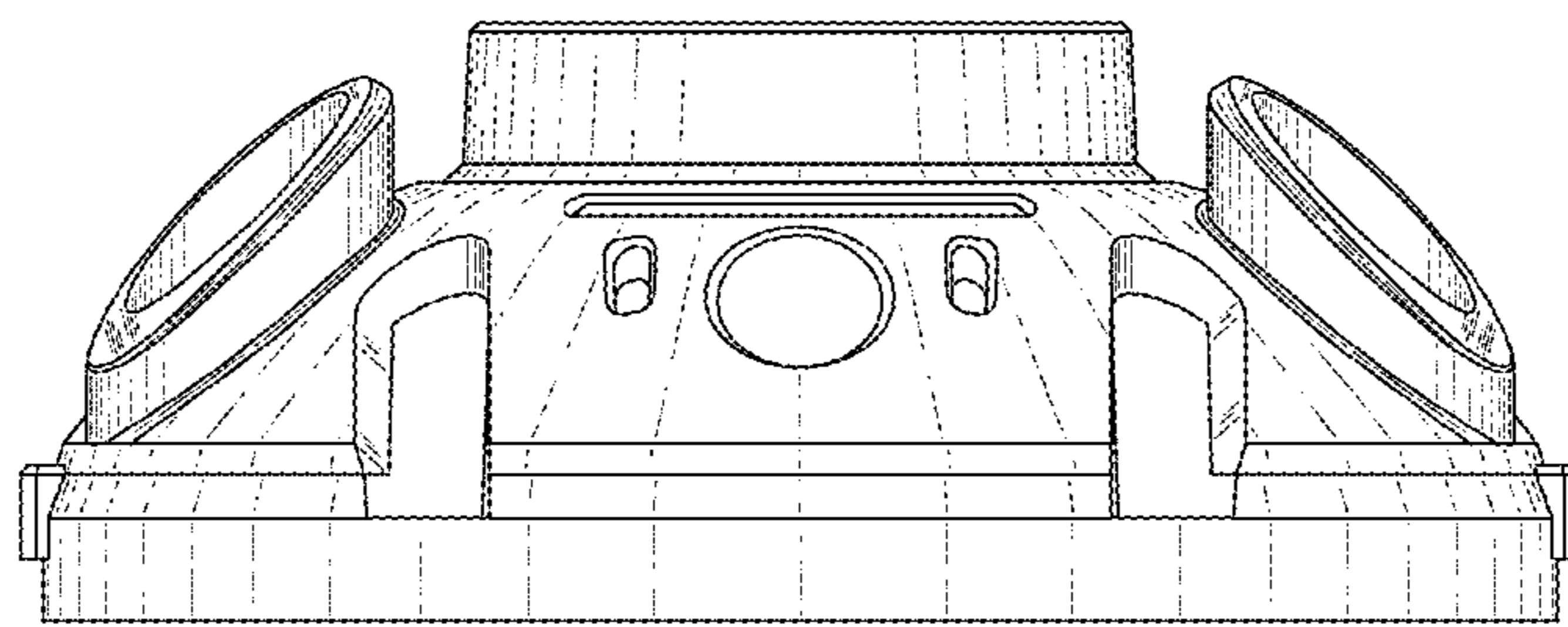
*FIG. 2*



*FIG. 3*



*FIG. 4*



*FIG. 5*



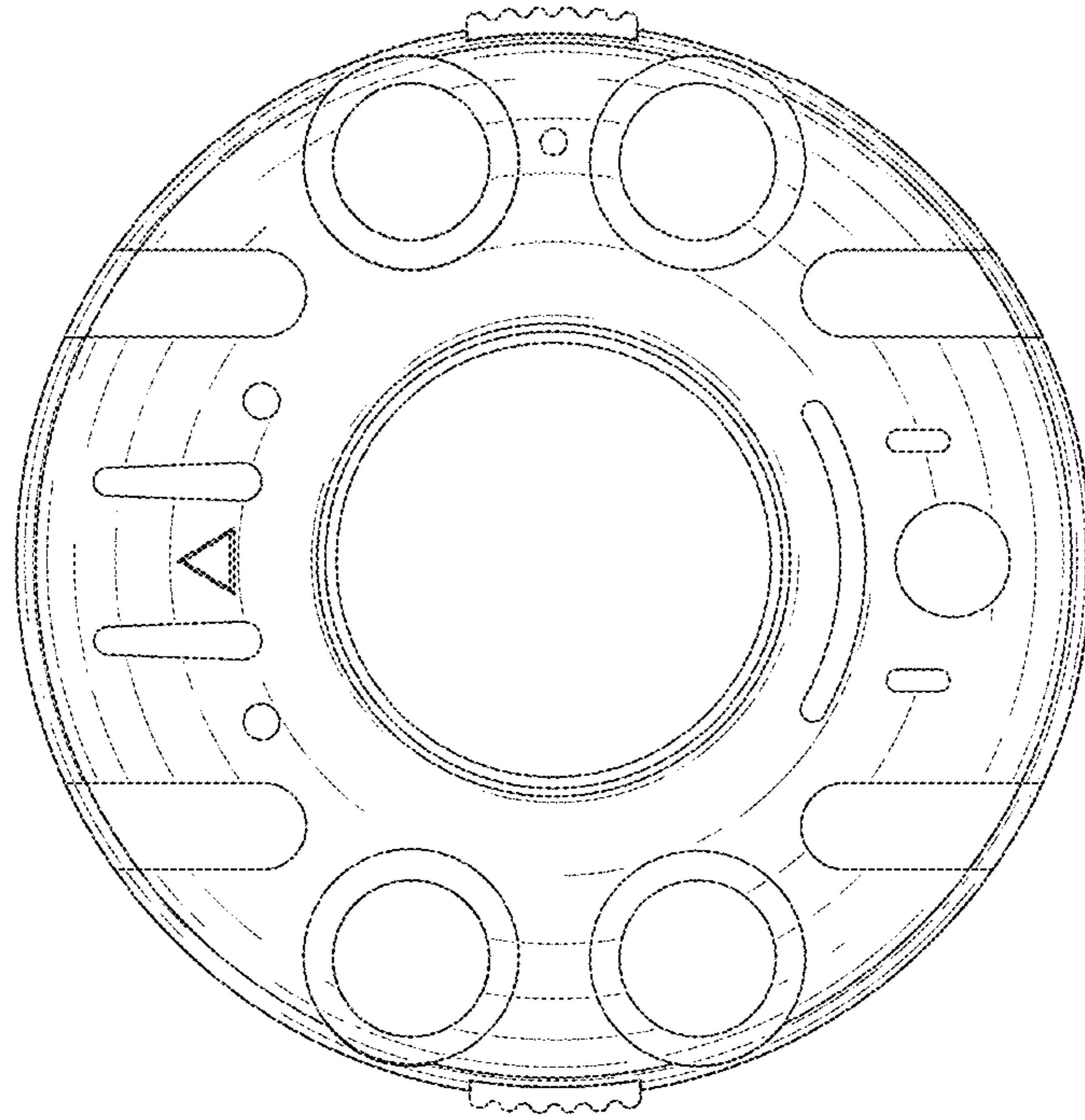


FIG. 6

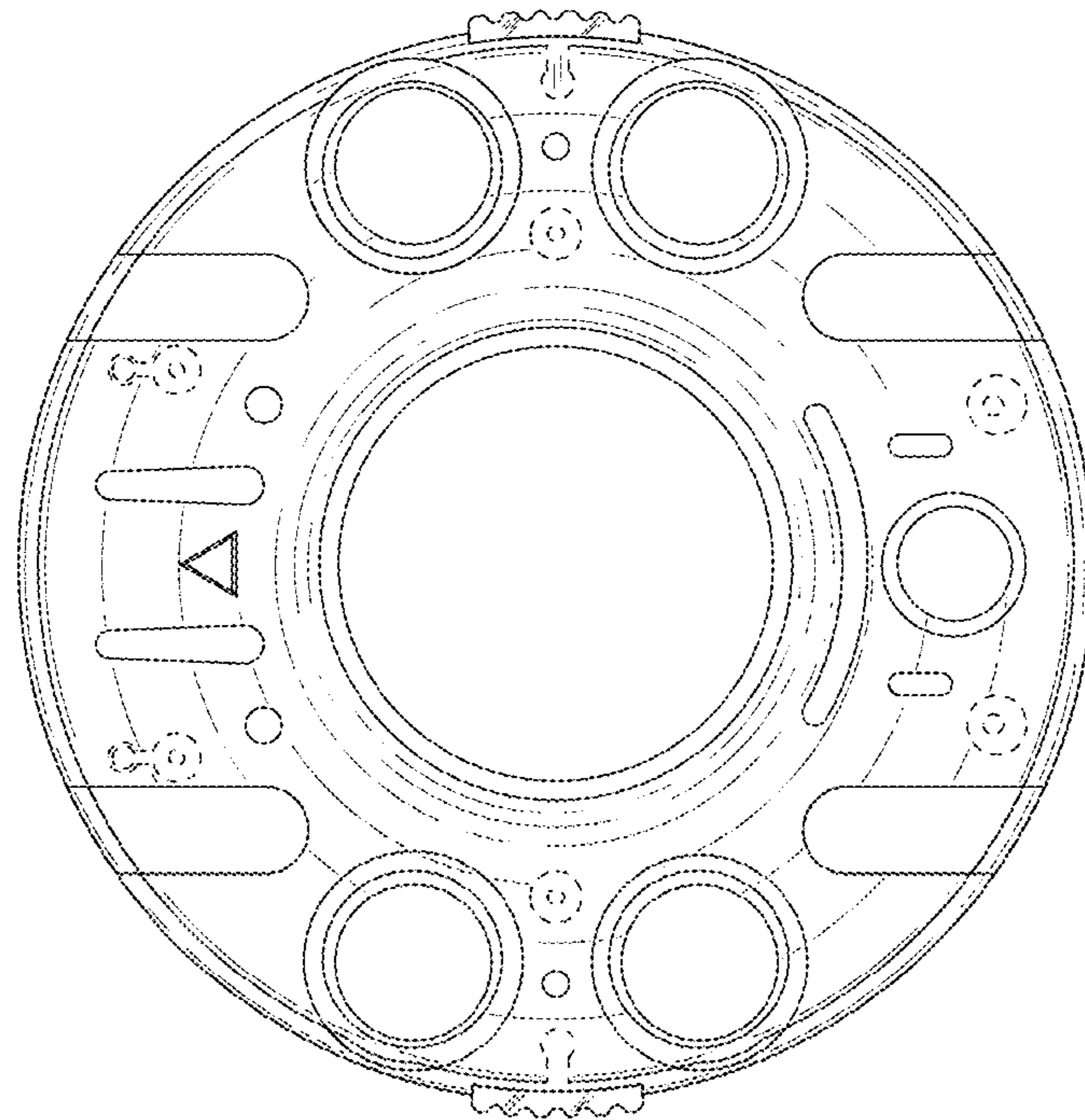


FIG. 7

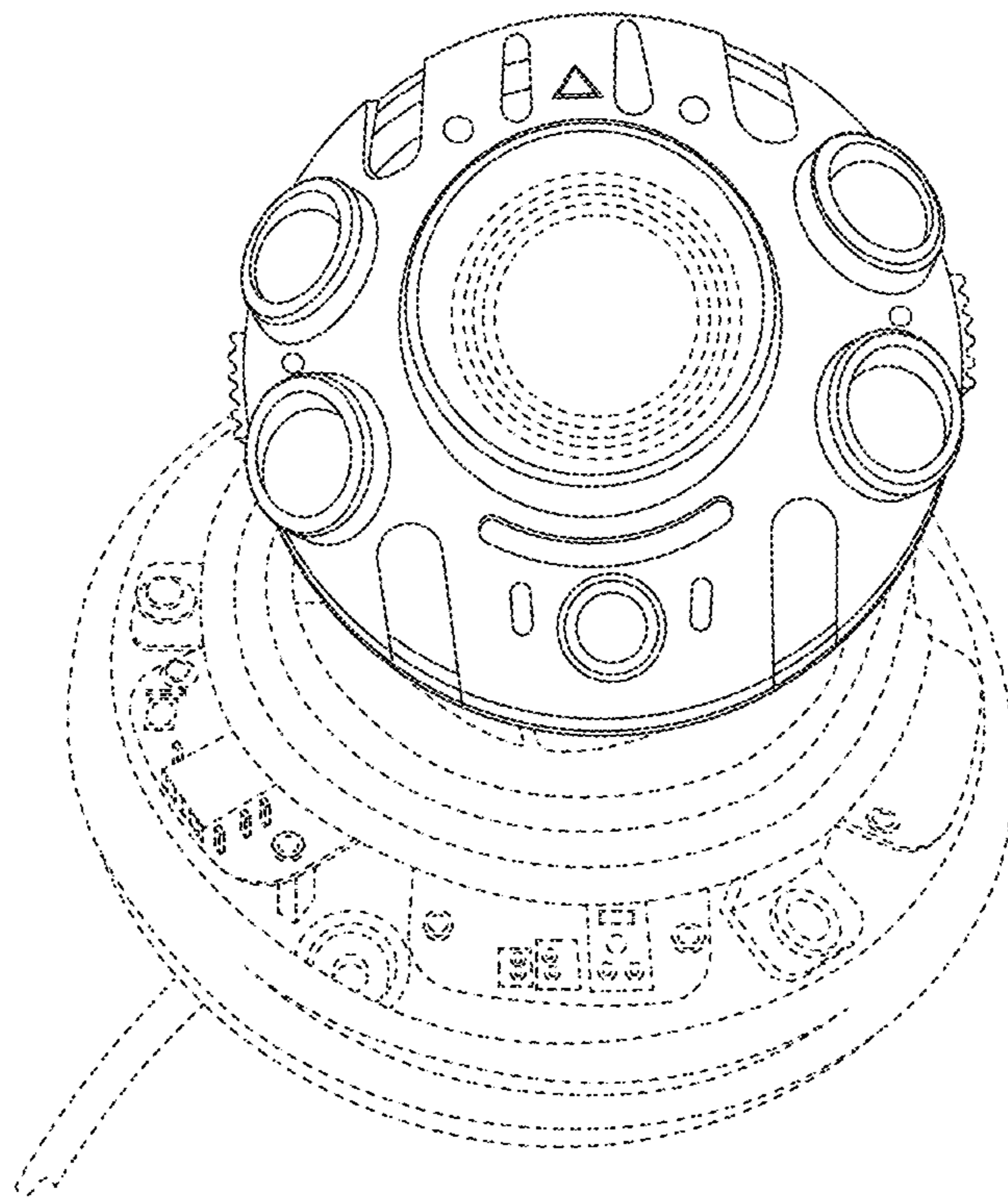


FIG. 8