



US00D770551S

(12) **United States Design Patent** (10) **Patent No.:** **US D770,551 S**
Heilemann et al. (45) **Date of Patent:** **** Nov. 1, 2016**

(54) **GEAR CASE**
(71) Applicant: **Cavex GmbH & Co. KG**, Oftringen (DE)
(72) Inventors: **Jens Heilemann**, Gomaringen (DE);
Lena Priester, Gomaringen (DE)
(73) Assignee: **Cavex GmbH & Co. KG**, Oftringen (DE)
(**) Term: **15 Years**
(21) Appl. No.: **29/546,794**
(22) Filed: **Nov. 25, 2015**
(30) **Foreign Application Priority Data**

May 29, 2015 (DE) 40 2015 100 513
(51) **LOC (10) Cl.** **15-09**
(52) **U.S. Cl.**
USPC **D15/148**
(58) **Field of Classification Search**
USPC D15/5-7, 138, 143, 148
See application file for complete search history.

(56) **References Cited**
U.S. PATENT DOCUMENTS

D54,413 S *	2/1920	Hazard	D15/7
D54,619 S *	3/1920	Hazard	D15/7
D205,472 S *	8/1966	Kerr	D15/148
D233,983 S *	12/1974	Baker	D12/317
D292,947 S *	12/1987	Levy	D3/10
D368,919 S *	4/1996	Lannoch	D15/148
D375,509 S *	11/1996	Shaw	D15/148
D440,995 S *	4/2001	Tsergas	D15/148
D479,543 S *	9/2003	Lannoch	D15/148
D487,101 S *	2/2004	Taoka	D15/149
D528,981 S *	9/2006	Bennett	D13/113
D589,993 S *	4/2009	Cheng	D15/148
D598,938 S *	8/2009	Mijno	D15/148
D618,262 S *	6/2010	Siegfried	D15/148

D618,263 S *	6/2010	Siegfried	D15/148
D674,828 S *	1/2013	Andersson	D15/148
D677,293 S *	3/2013	Andersson	D15/148
D678,337 S *	3/2013	Yamamoto	D15/5
D690,339 S *	9/2013	Sigmund	D15/148
D697,103 S *	1/2014	Sigmund	D15/148
D698,837 S *	2/2014	Woppermann	D15/148
D703,253 S *	4/2014	Lannoch	D15/148
D703,716 S *	4/2014	Jensen	D15/148
D704,756 S *	5/2014	Voelker	D15/148
D710,918 S *	8/2014	Tegeltija	D15/148
D740,867 S *	10/2015	Barta	D15/148
2009/0301256 A1 *	12/2009	Hurst	B60S 1/166 74/606 R
2011/0277589 A1 *	11/2011	Leibold	F16H 57/032 74/606 R
2012/0272763 A1 *	11/2012	Murakami	F16H 57/025 74/412 R
2015/0069687 A1 *	3/2015	Dastoor	F16F 1/3615 267/153

FOREIGN PATENT DOCUMENTS

DE 402015100513-0002 7/2015

* cited by examiner

Primary Examiner — Patricia Palasik

(74) *Attorney, Agent, or Firm* — Johnson, Marcou & Isaacs, LLC; Jennifer S. Stachniak

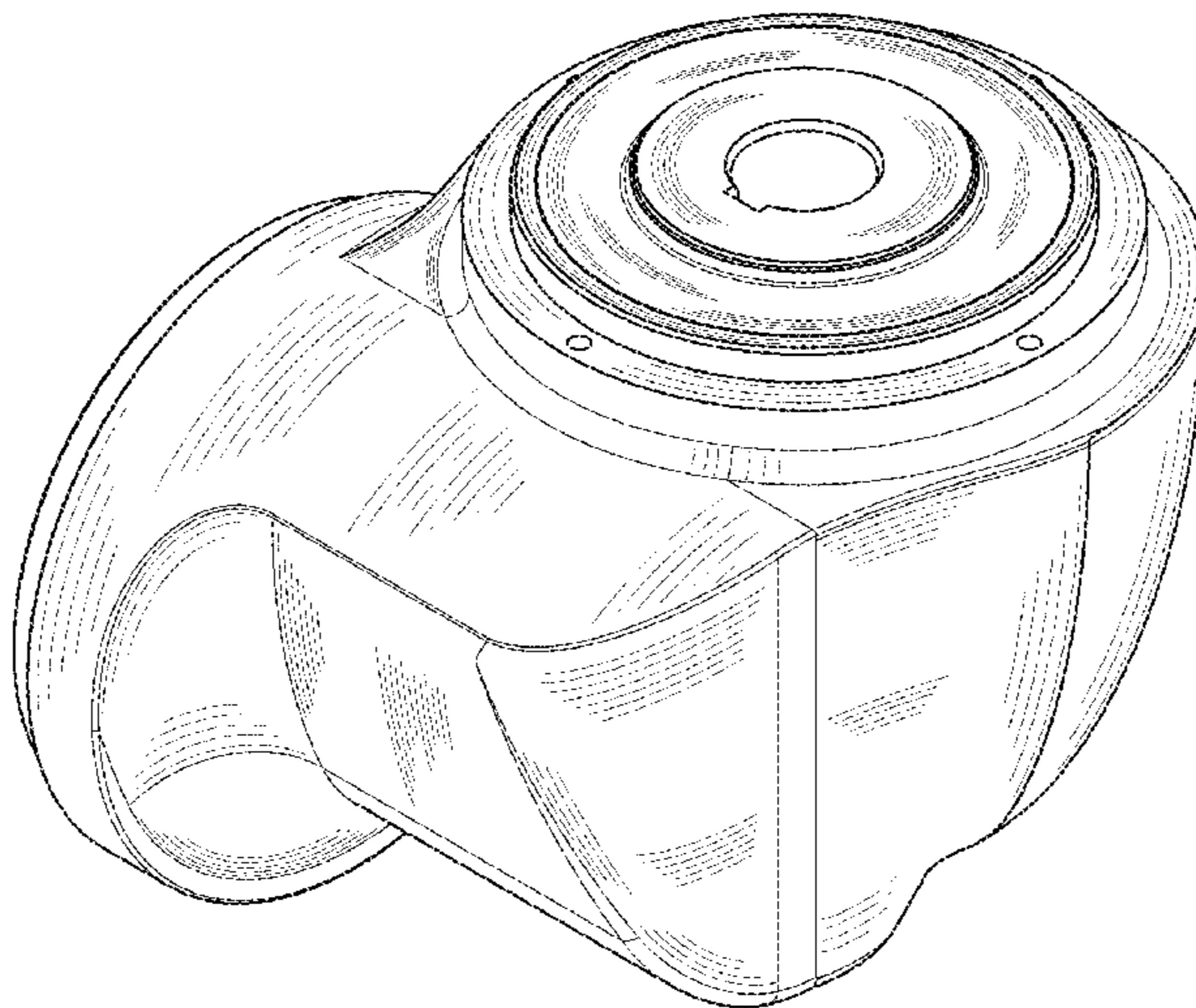
(57) **CLAIM**

The ornamental design for a gear case, as shown and described.

DESCRIPTION

FIG. 1 is a bottom view of a gear case;
FIG. 2 is a front view of the gear case;
FIG. 3 is a top view of the gear case;
FIG. 4 is a perspective view of the left side, front and rear, of the gear case;
FIG. 5 is a left side view of the gear case;
FIG. 6 is a right side view of the gear case; and,
FIG. 7 is a rear view of the gear case.

1 Claim, 7 Drawing Sheets



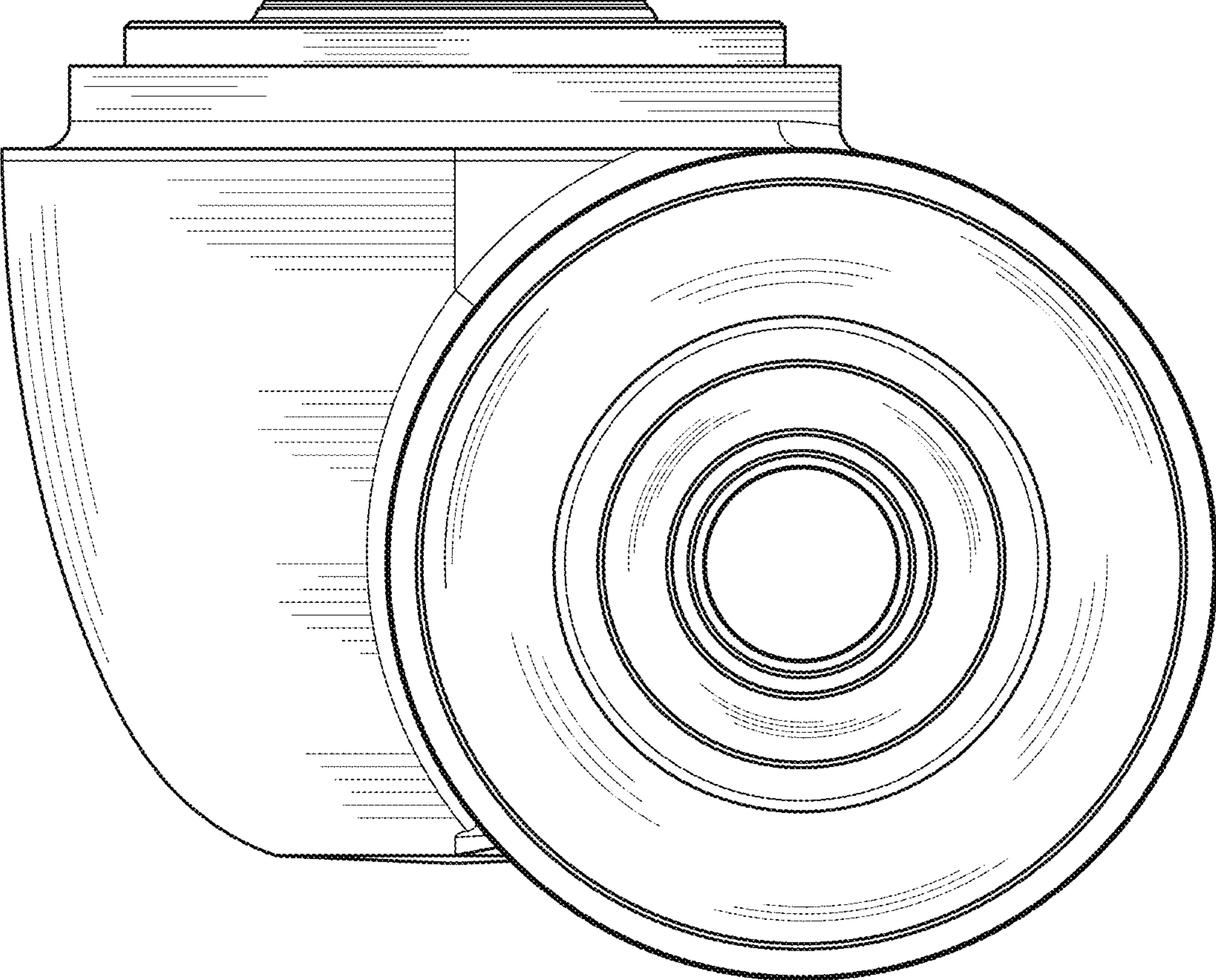


FIGURE 1

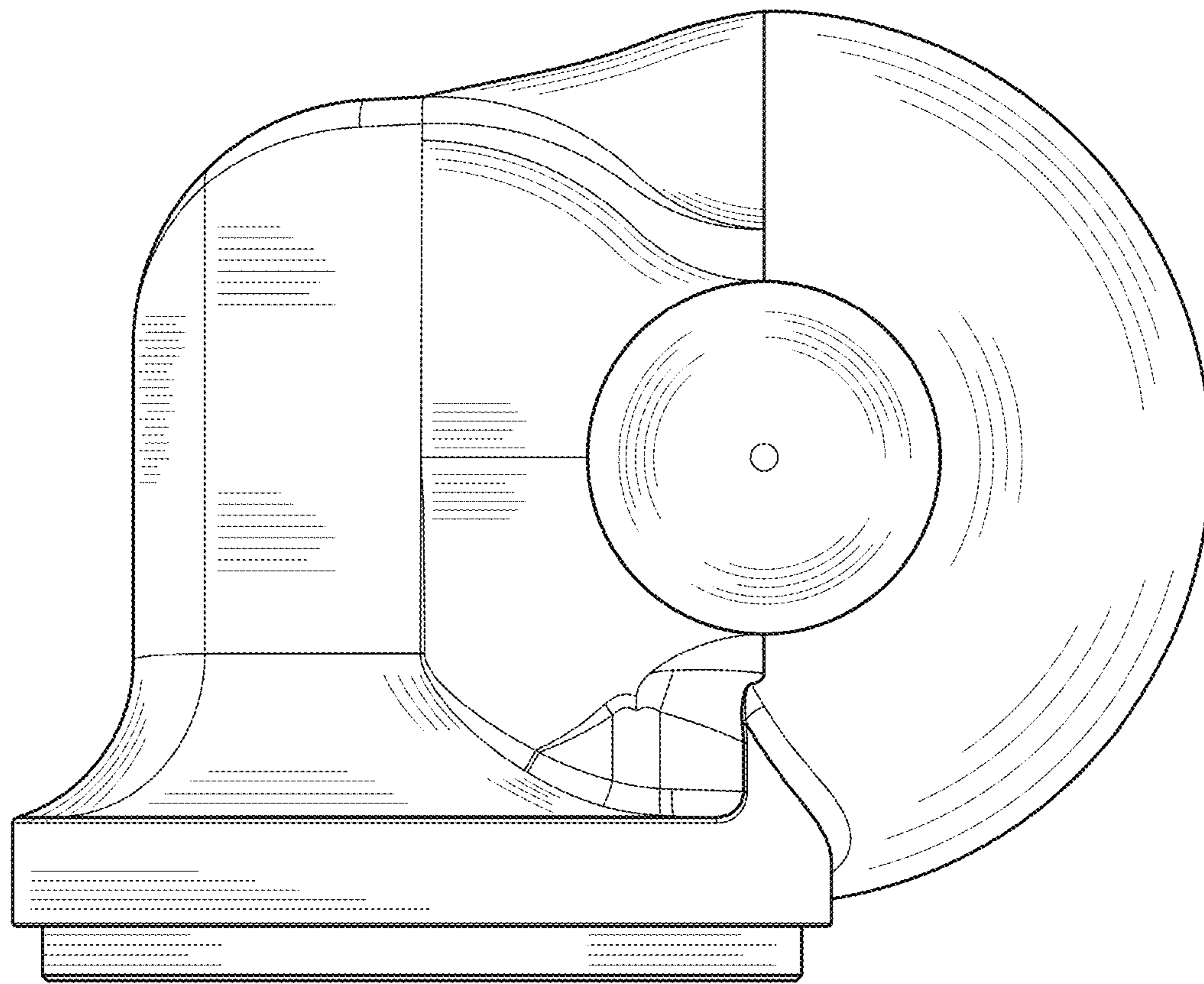


FIGURE 2

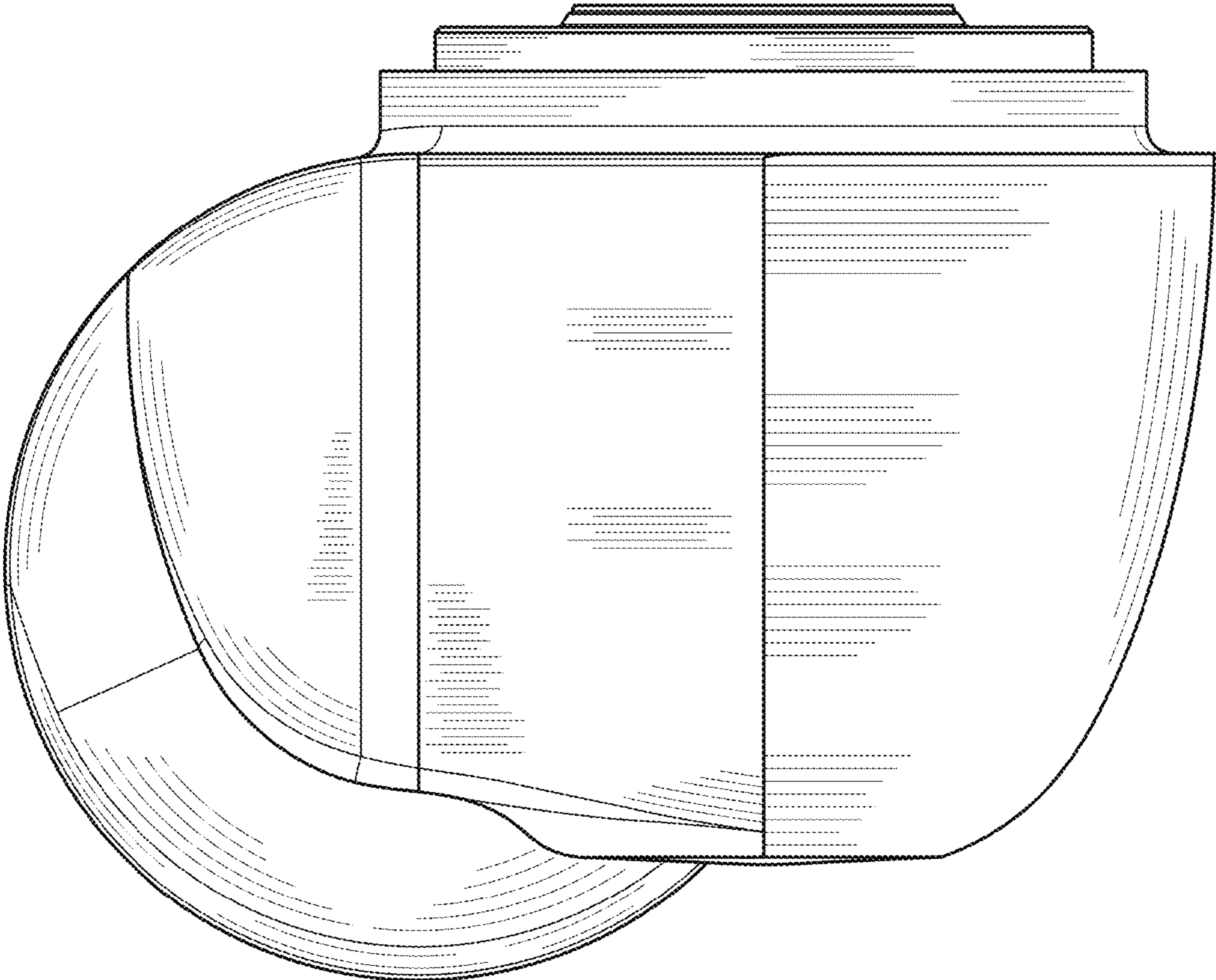


FIGURE 3

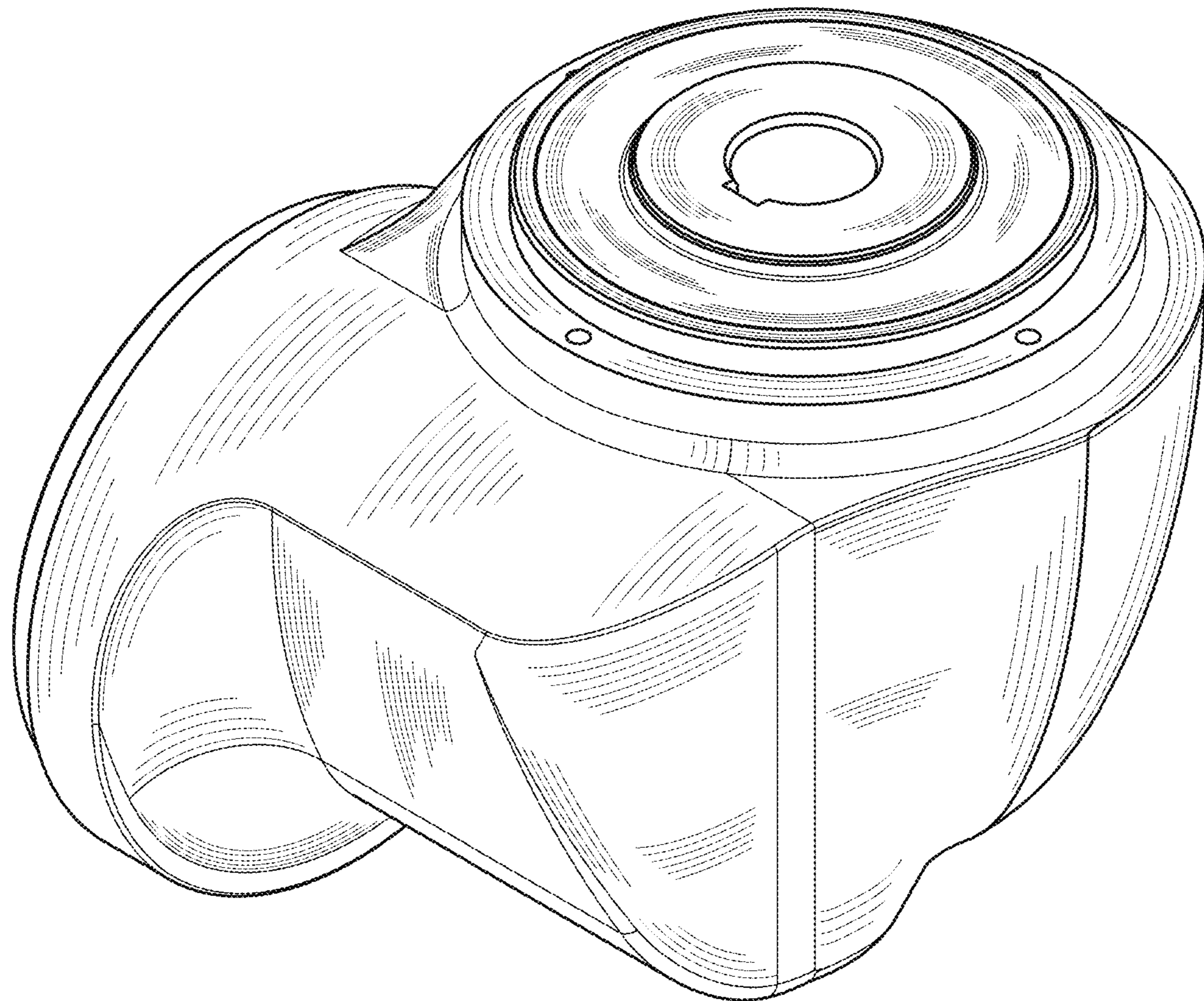


FIGURE 4

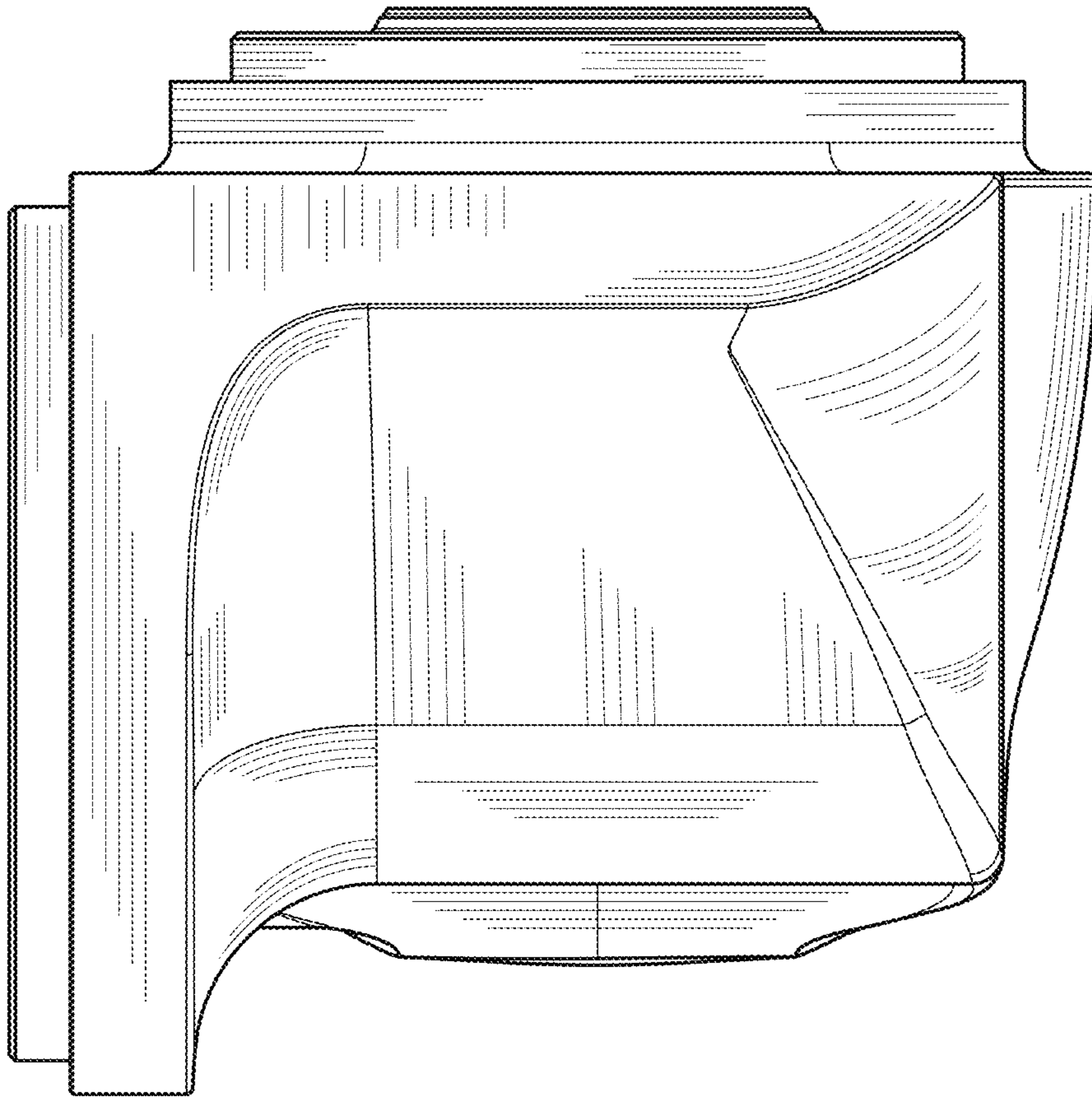


FIGURE 5

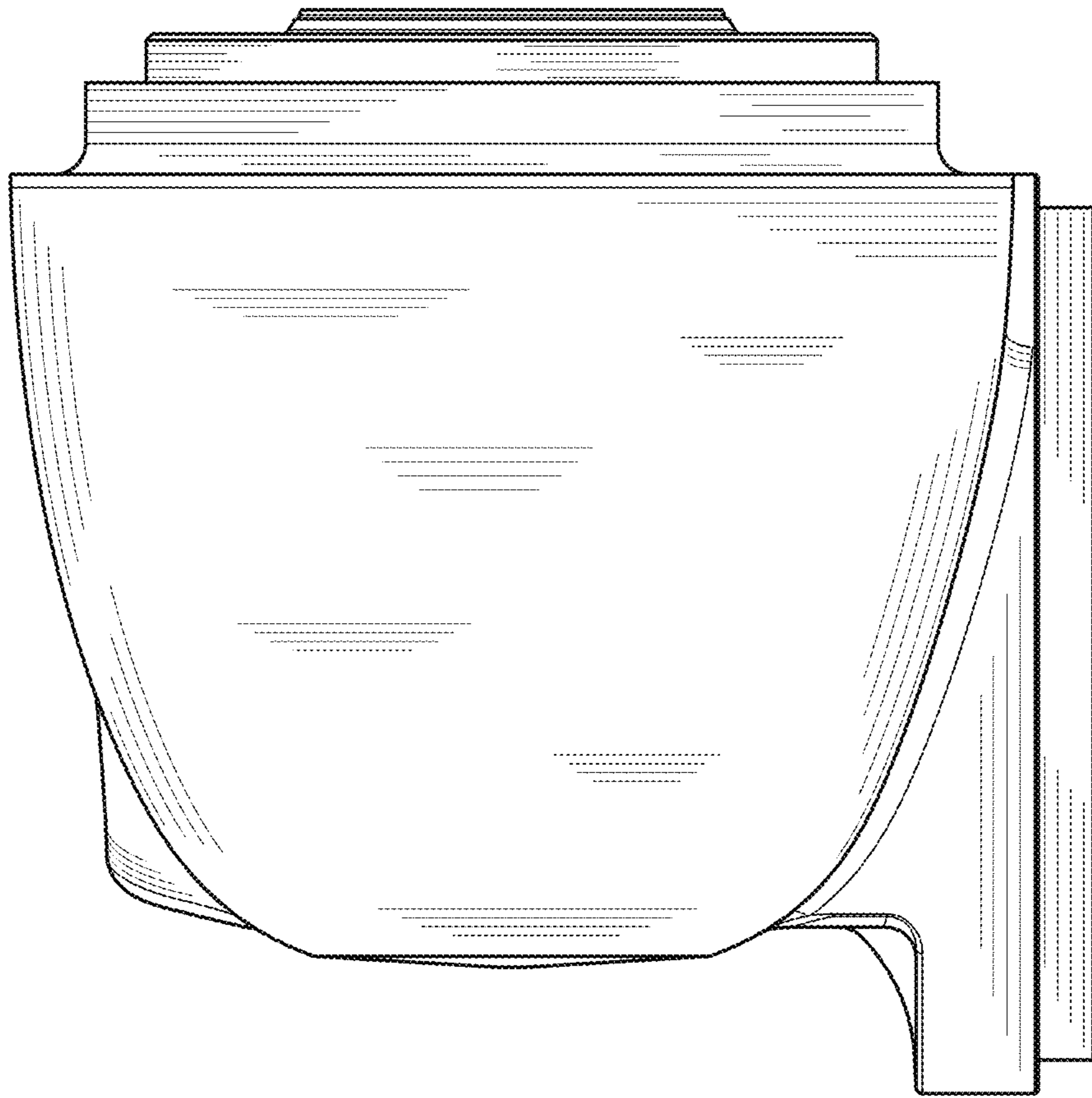


FIGURE 6

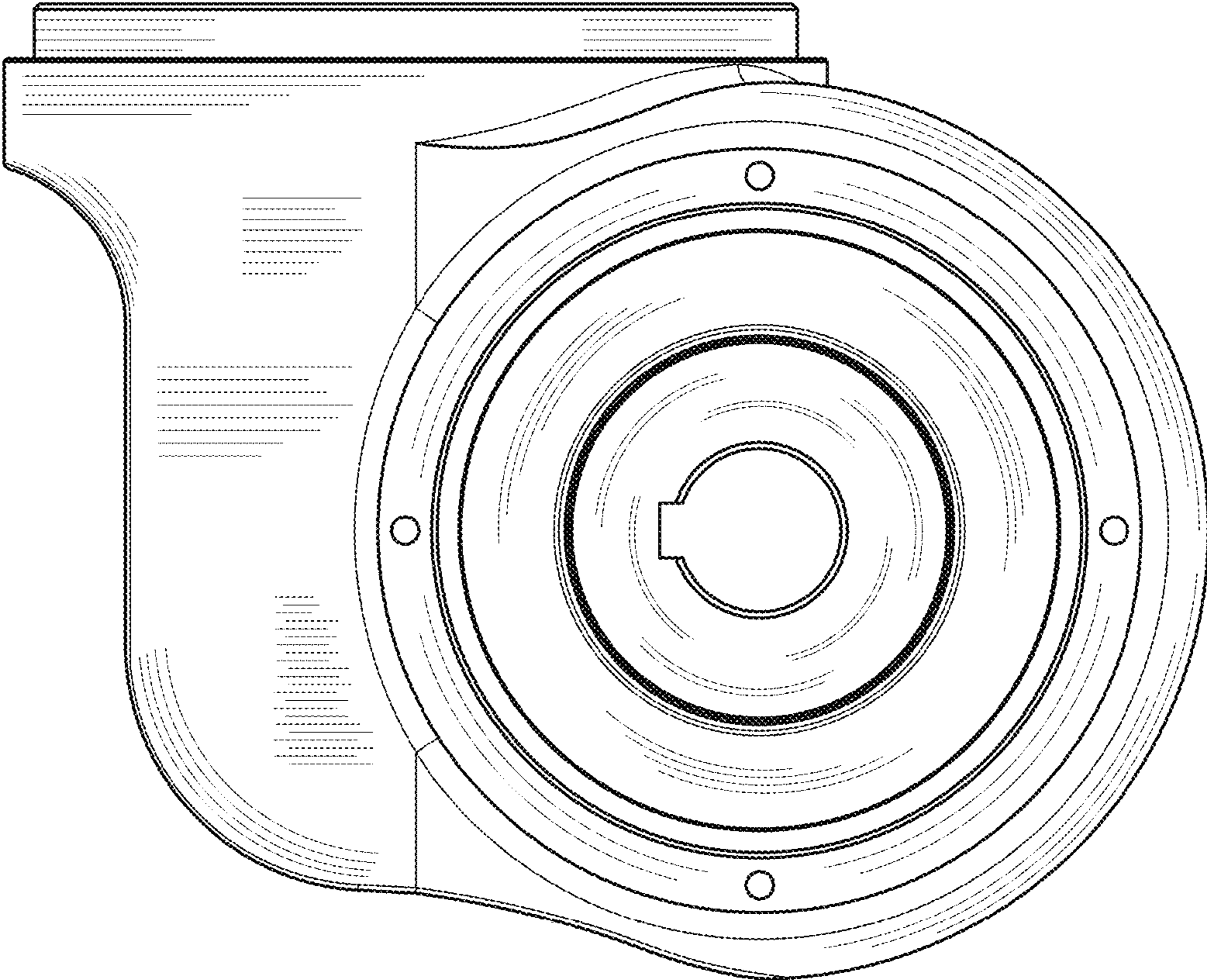


FIGURE 7