



US00D770550S

(12) **United States Design Patent** (10) **Patent No.:** **US D770,550 S**
Creager et al. (45) **Date of Patent:** **** Nov. 1, 2016**

(54) **HELICAL GEAR DIFFERENTIAL HOUSING**

(71) Applicant: **Eaton Corporation**, Cleveland, OH (US)

(72) Inventors: **Christopher Wayne Creager**, Ypsilanti, MI (US); **Michael David Green**, Clinton Township, MI (US)

(73) Assignee: **Eaton Corporation**, Cleveland, OH (US)

(**) Term: **14 Years**

(21) Appl. No.: **29/495,495**

(22) Filed: **Jul. 1, 2014**

Related U.S. Application Data

(63) Continuation of application No. 29/464,113, filed on Aug. 13, 2013, now Pat. No. Des. 711,445.

(51) **LOC (10) Cl.** **15-09**

(52) **U.S. Cl.**
USPC **D15/148**

(58) **Field of Classification Search**
USPC D15/5, 148, 149, 199; D12/122-127, D12/180
See application file for complete search history.

(56) **References Cited**

U.S. PATENT DOCUMENTS

2,000,223	A	5/1935	Du Pras
D402,354	S	12/1998	Strong et al.
6,053,838	A	4/2000	Gage
7,022,041	B2	4/2006	Valente
8,033,944	B2	10/2011	Weber et al.
D655,796	S	3/2012	Dewitt et al.
8,353,800	B2	1/2013	Kumar et al.
D690,336	S	9/2013	Gjertsen

D690,339	S	9/2013	Sigmund	
D711,445	S	8/2014	Creager	D15/148
2002/0025878	A1	2/2002	Kam	
2006/0037828	A1	2/2006	Monahan et al.	
2007/0191171	A1	8/2007	Pascoe et al.	
2007/0249458	A1	10/2007	Veldman et al.	
2008/0103010	A1	5/2008	Pontanari et al.	
2009/0203488	A1	8/2009	Hultgren	
2009/0211396	A1	8/2009	Gutmann et al.	
2009/0215574	A1	8/2009	Weber et al.	
2010/0151982	A1	6/2010	Waksmundzki	

* cited by examiner

Primary Examiner — Patricia Palasik

(74) *Attorney, Agent, or Firm* — Remarck Law Group PLC

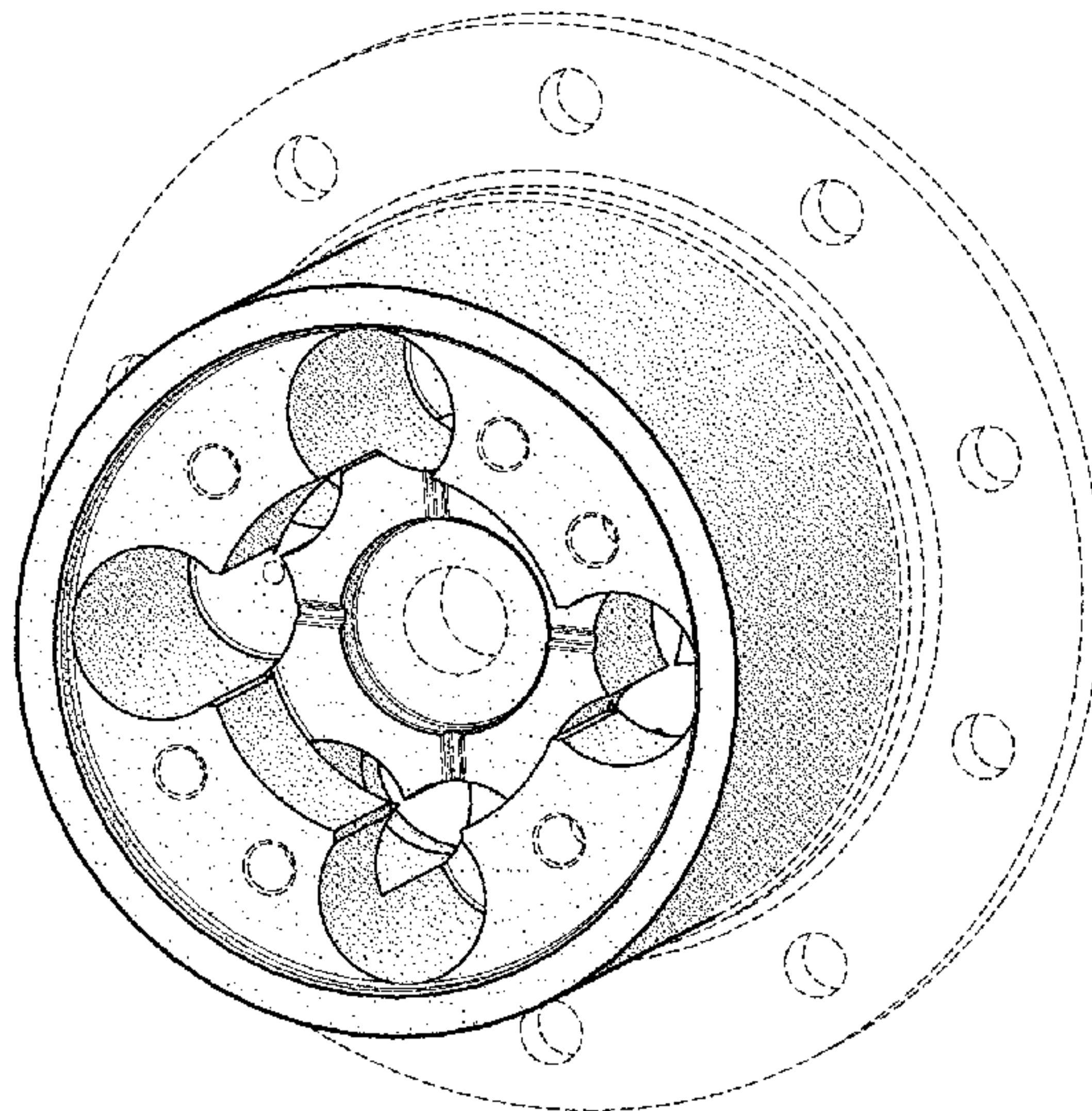
(57) **CLAIM**

The ornamental design for a helical gear differential housing, as shown and described.

DESCRIPTION

FIG. 1 is a front perspective view of a first embodiment of a helical gear differential housing showing the new design. FIG. 2 is a rear perspective view of the first embodiment of the helical gear differential housing of FIG. 1. FIG. 3 is a front view of the first embodiment of the helical gear differential housing of FIG. 1. FIG. 4 is a rear view of the first embodiment of the helical gear differential housing of FIG. 1. FIG. 5 is a first side view of the first embodiment of the helical gear differential housing of FIG. 1. FIG. 6 is a second side view of the first embodiment of the helical gear differential housing of FIG. 1; and, FIG. 7 is a third side view of the first embodiment of the helical gear differential housing of FIG. 1. Any portion of the helical gear differential housing shown in broken lines is for the purpose of illustrating environmental structure and forms no part of the claimed design.

1 Claim, 7 Drawing Sheets



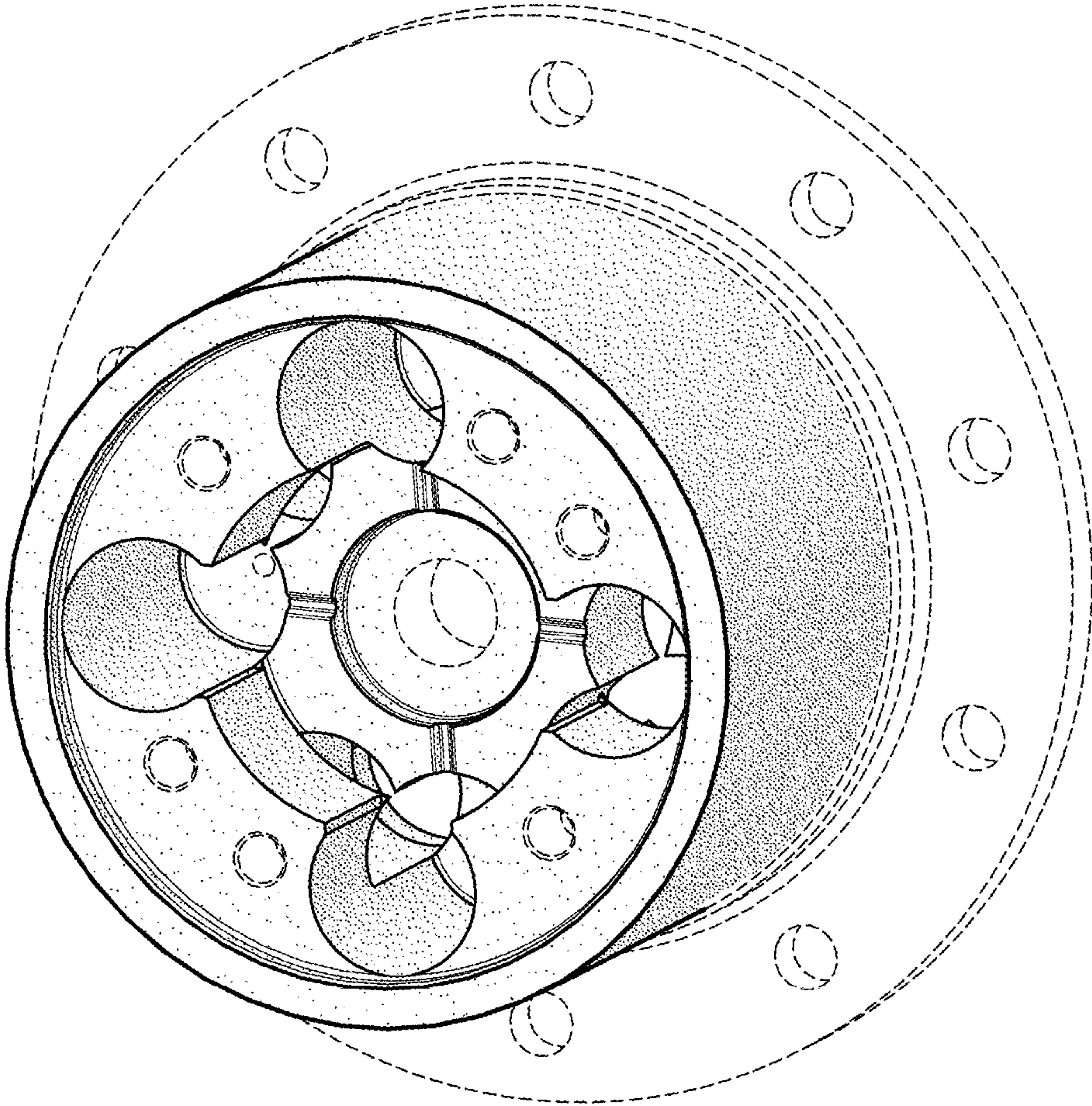


FIG.1

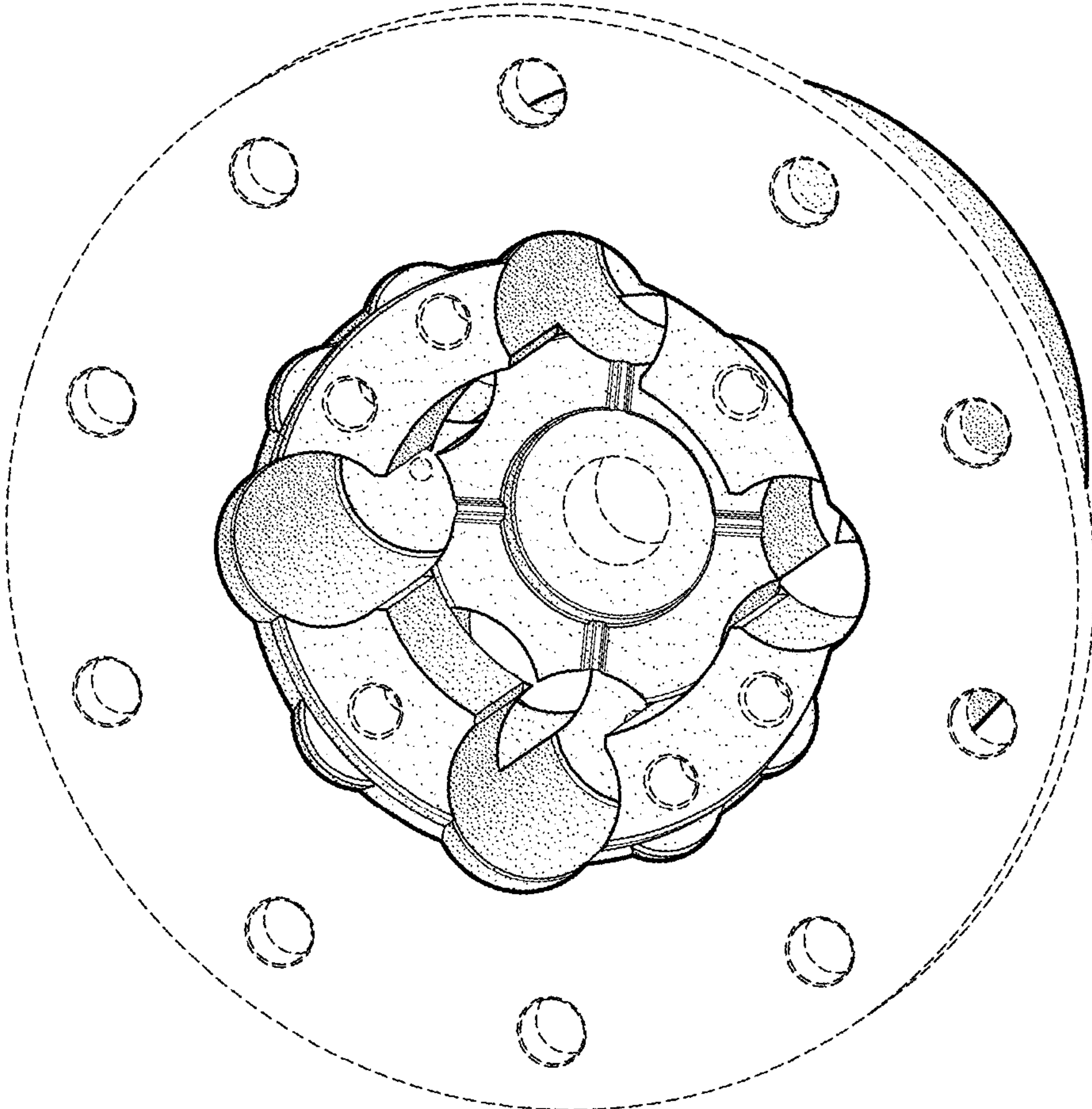


FIG. 2

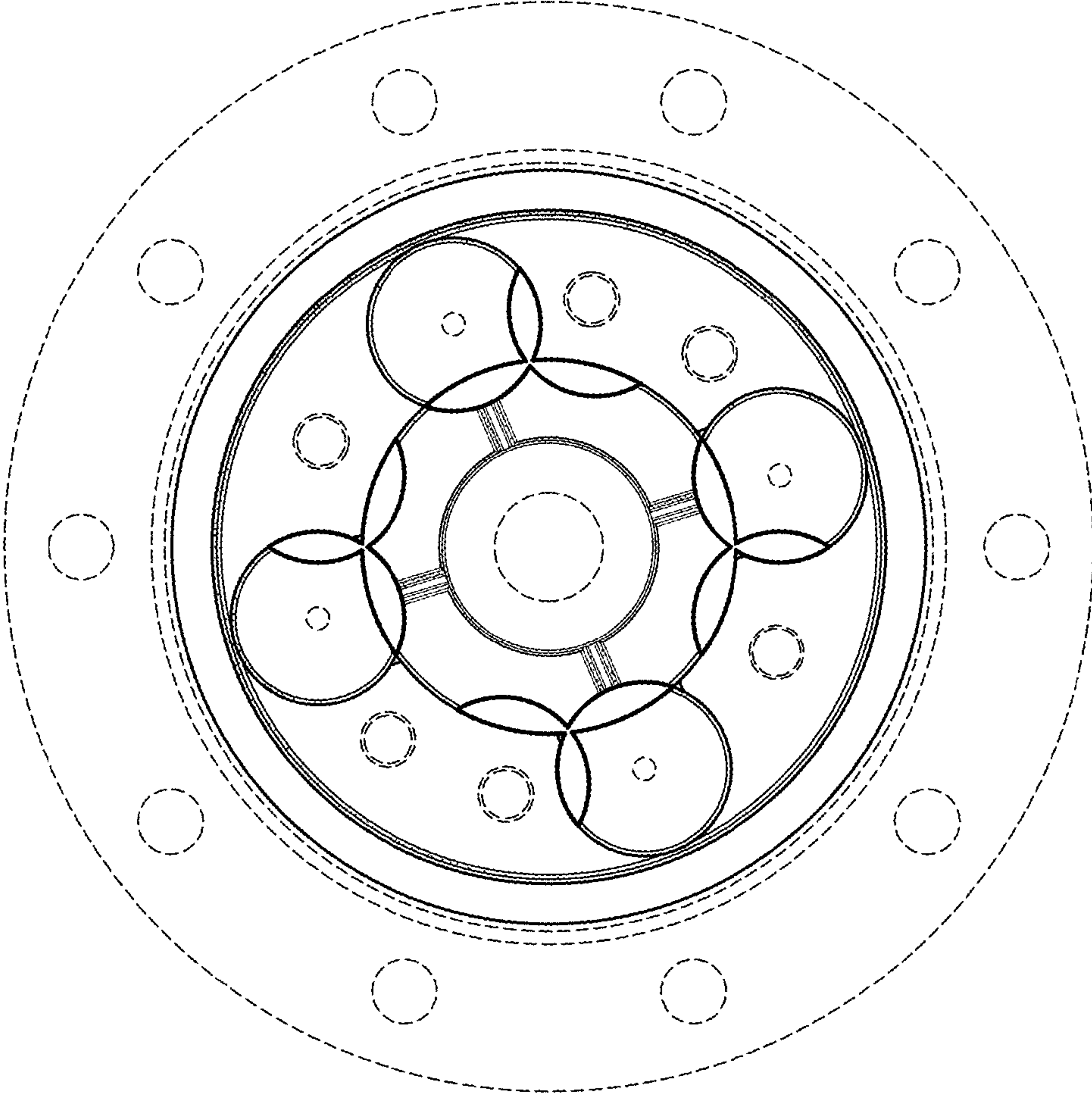


FIG.3

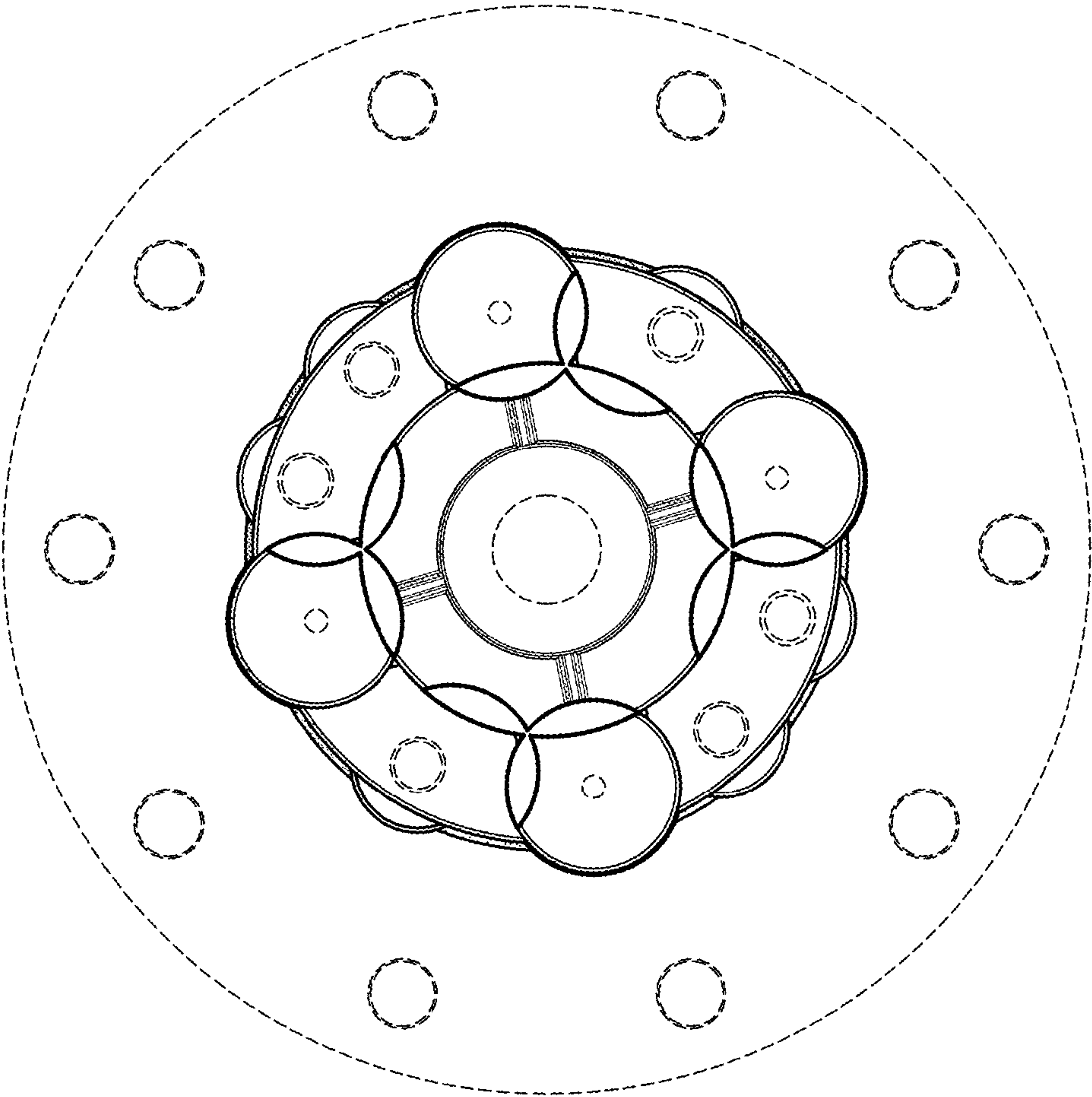


FIG.4

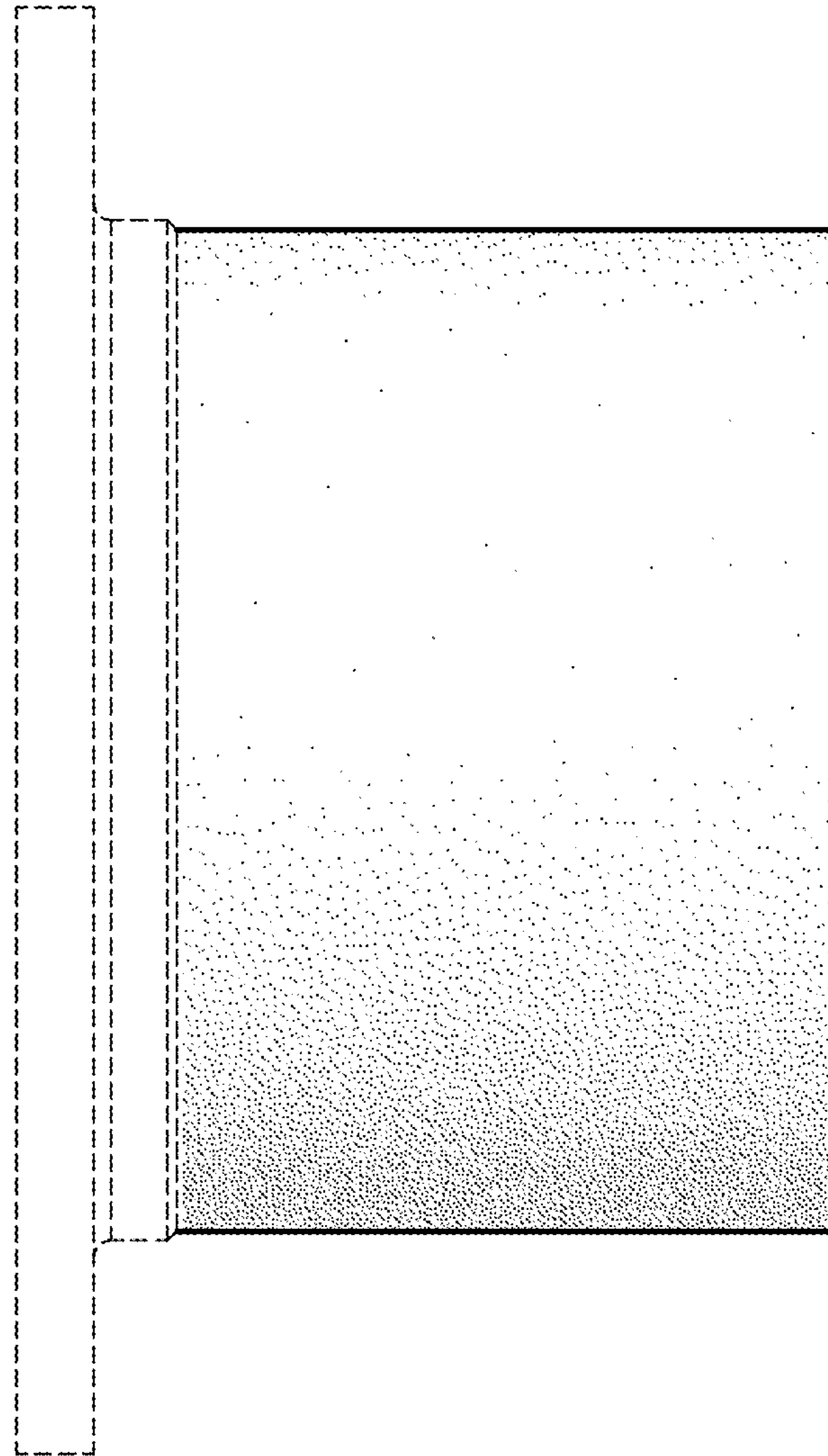


FIG. 5

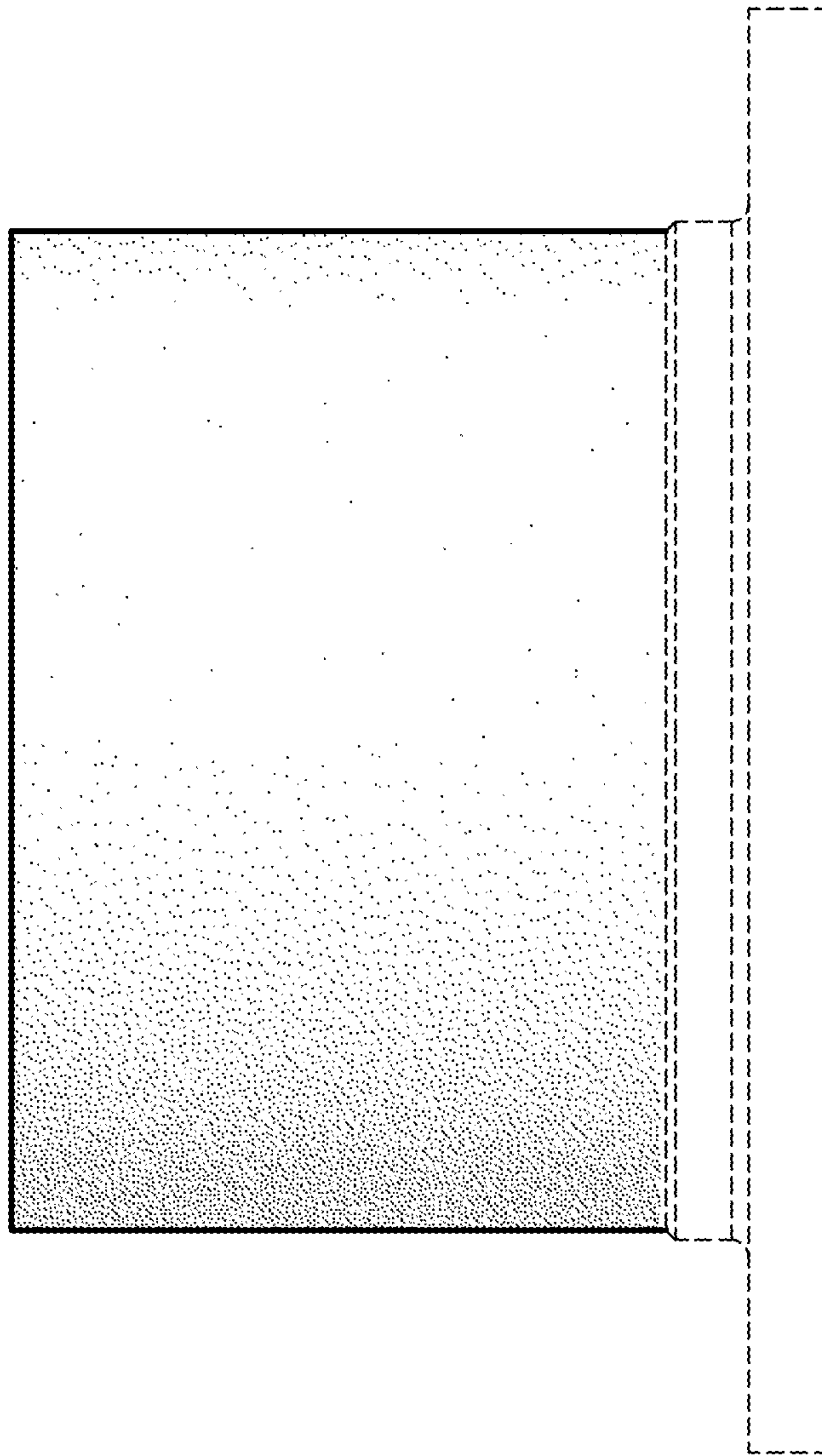


FIG. 6

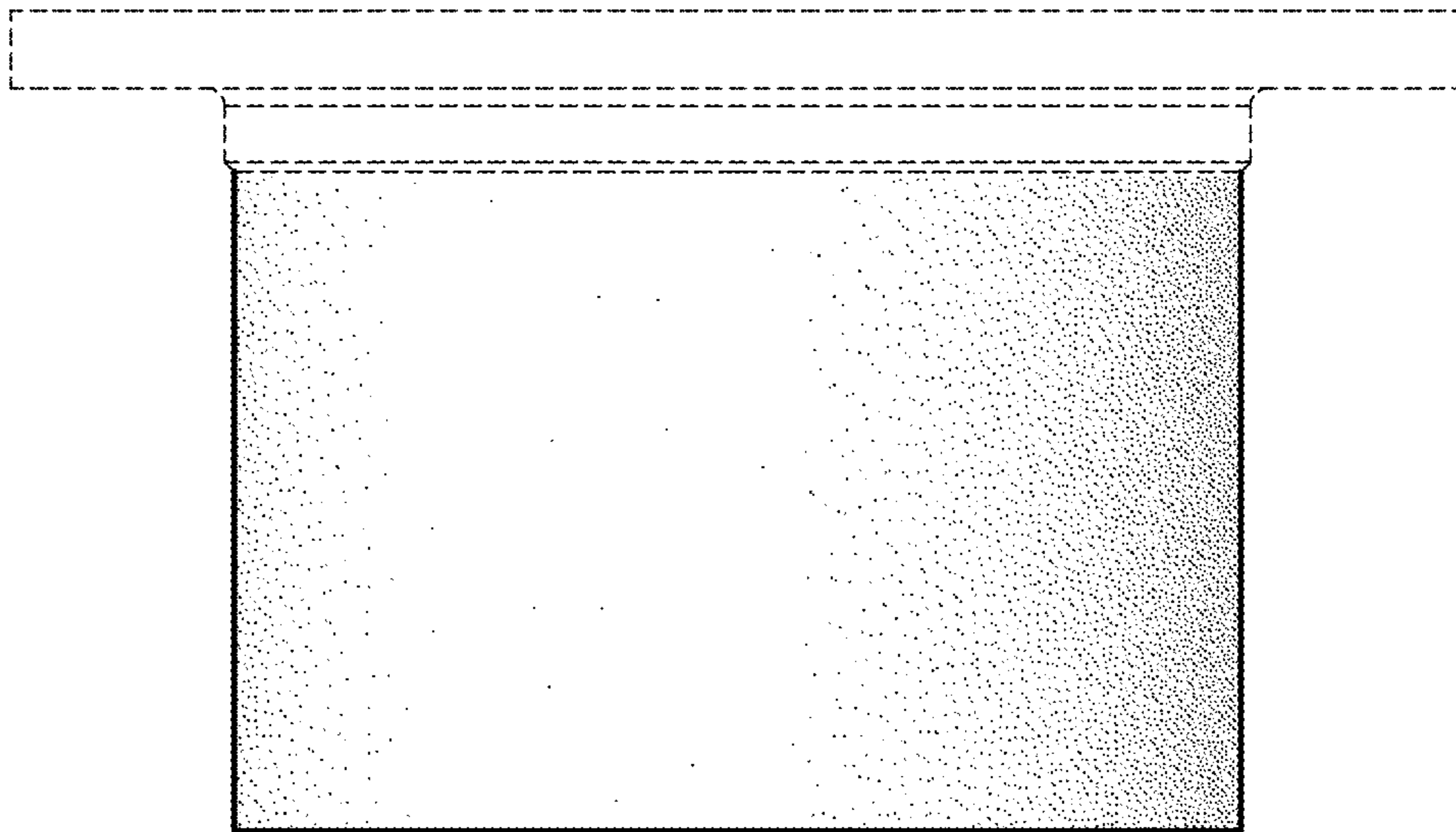


FIG. 7