



US00D770544S

(12) **United States Design Patent** (10) **Patent No.:** **US D770,544 S**
Lee et al. (45) **Date of Patent:** **** Nov. 1, 2016**

(54) **SHELF FOR WINE REFRIGERATOR**

(56) **References Cited**

(71) Applicant: **Samsung Electronics Co., Ltd.**,
Suwon-si (KR)

U.S. PATENT DOCUMENTS

(72) Inventors: **Jong-Hyub Lee**, Seoul (KR); **Seo-Jin Park**, Yongin-si (KR); **Young-Min Park**, Seoul (KR); **Binna Kim**, Seoul (KR)

D475,374 S	*	6/2003	Segers	D15/89
D551,263 S		9/2007	Becke		
D654,517 S	*	2/2012	Merritt	D15/90
D700,221 S	*	2/2014	Ringemann	D15/89
D723,593 S	*	3/2015	Ryu	D15/89
D724,631 S	*	3/2015	Kim	D15/89

(73) Assignee: **Samsung Electronics Co., Ltd.**,
Suwon-si (KR)

FOREIGN PATENT DOCUMENTS

(**) Term: **15 Years**

KR	3020120059153	2/2014
KR	3020140005510	10/2014

(21) Appl. No.: **29/531,790**

* cited by examiner

(22) Filed: **Jun. 30, 2015**

Primary Examiner — Daniel Bui
Assistant Examiner — Khawaja Anwar
(74) *Attorney, Agent, or Firm* — NSIP Law

(30) **Foreign Application Priority Data**

(57) **CLAIM**

Dec. 31, 2014 (KR) 30-2014-0064465

We claim the ornamental design for a shelf for wine refrigerator, as shown and described.

(51) **LOC (10) Cl.** **15-07**

DESCRIPTION

(52) **U.S. Cl.**
USPC **D15/89**

(58) **Field of Classification Search**
USPC D15/79-91
CPC F25D 23/028; F25D 23/02; F25D 25/025;
F25D 23/00; F25D 2323/021; F25D 11/00;
F25D 2323/024; F25D 23/04; F25D 29/00;
F25D 25/02; F25D 25/024; F25D 27/005;
F25D 23/12; F25D 29/005; F25D 17/042;
F25D 2325/021

FIG. 1 is a front perspective view of a shelf for wine refrigerator showing our new design;
FIG. 2 is a front view thereof;
FIG. 3 is a rear view thereof;
FIG. 4 is a left-side view thereof;
FIG. 5 is a right-side view thereof;
FIG. 6 is a top view thereof;
FIG. 7 is a bottom view thereof; and,
FIG. 8 is a cross-sectional view taken through the line 8-8 of FIG. 1.

See application file for complete search history.

1 Claim, 8 Drawing Sheets

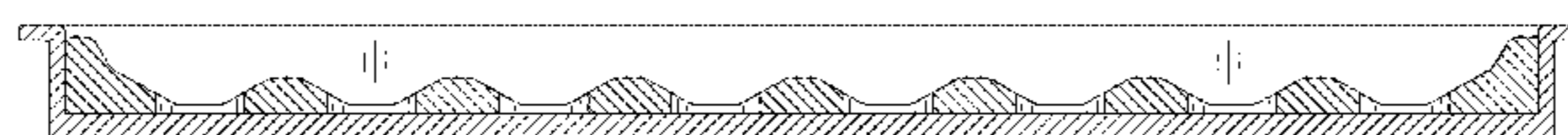
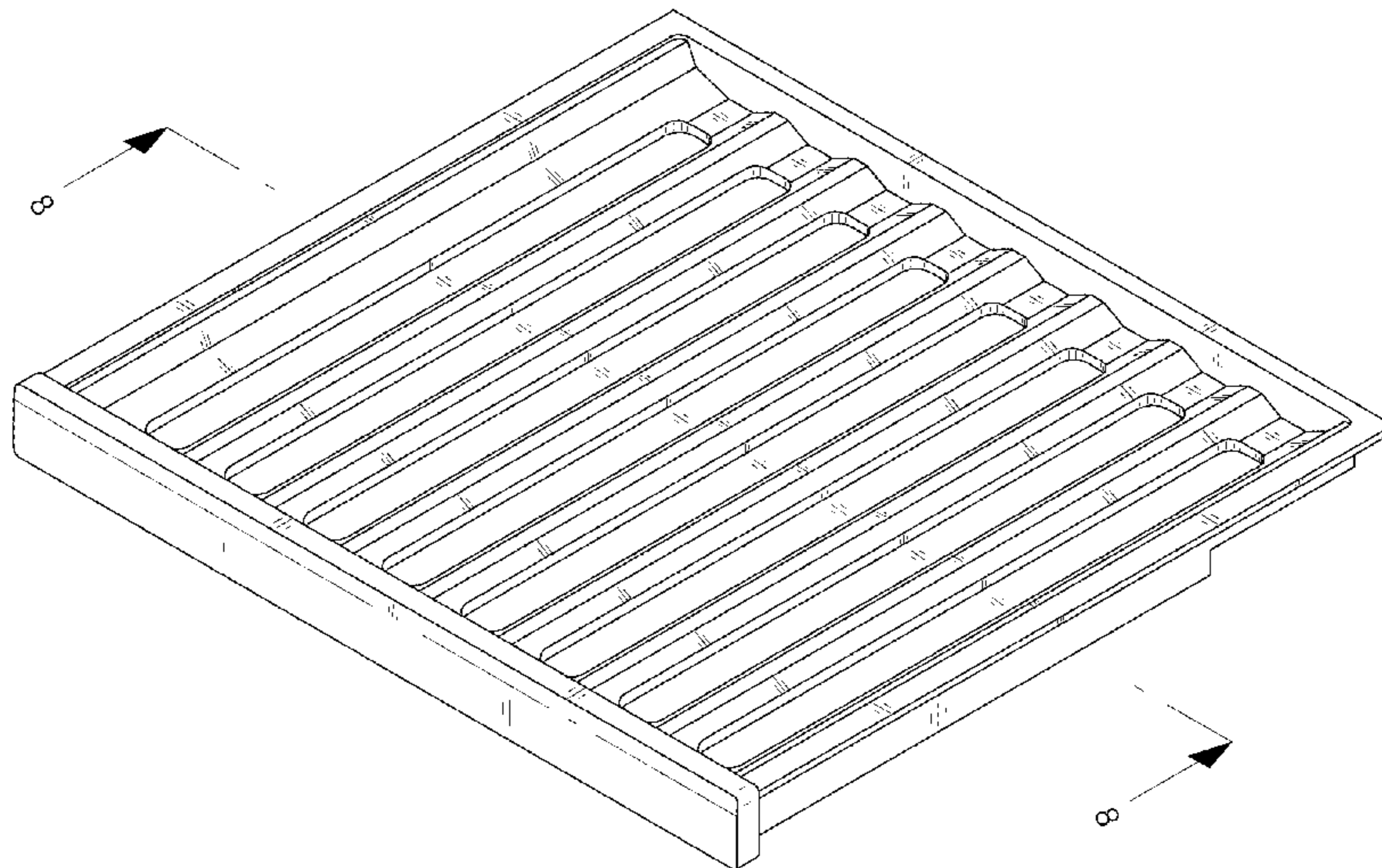


FIG. 1

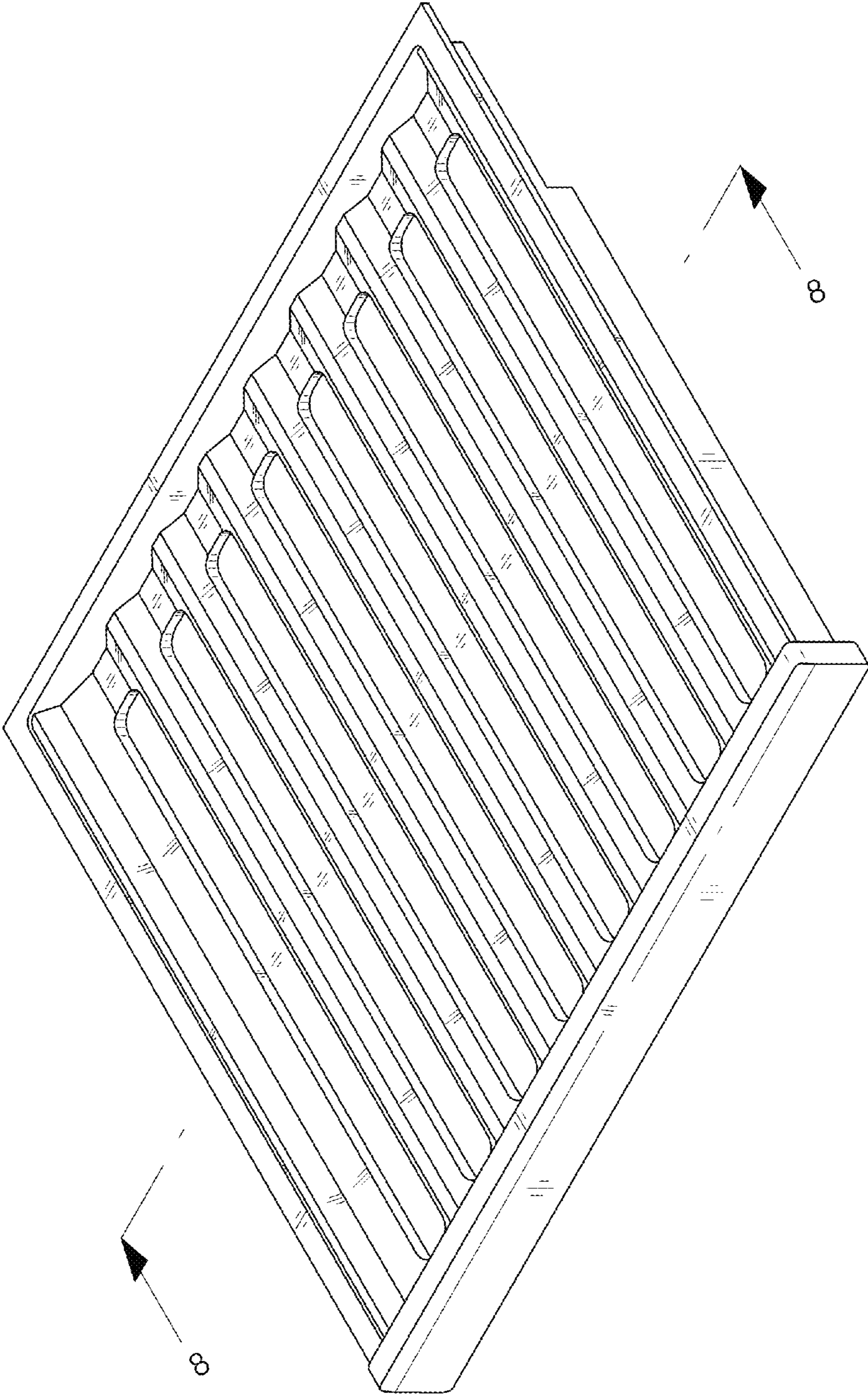


FIG. 2

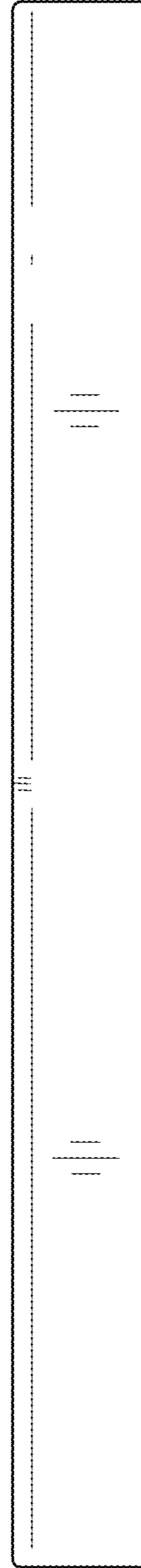


FIG. 3

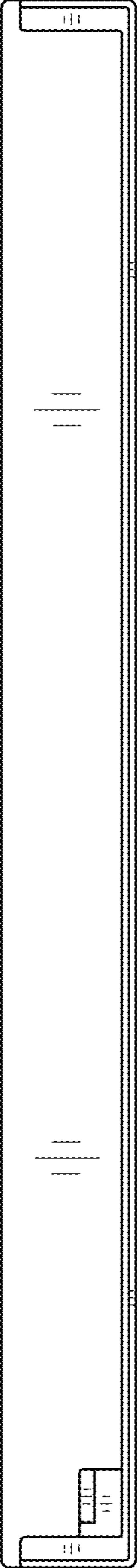


FIG. 4

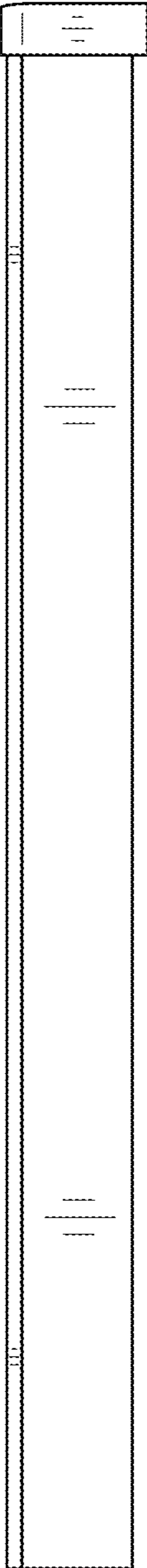


FIG. 5

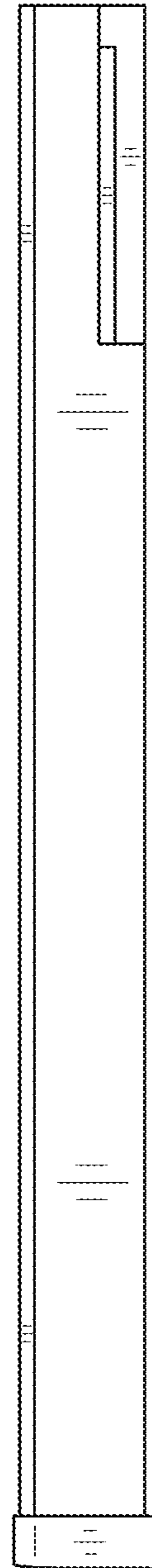


FIG. 6

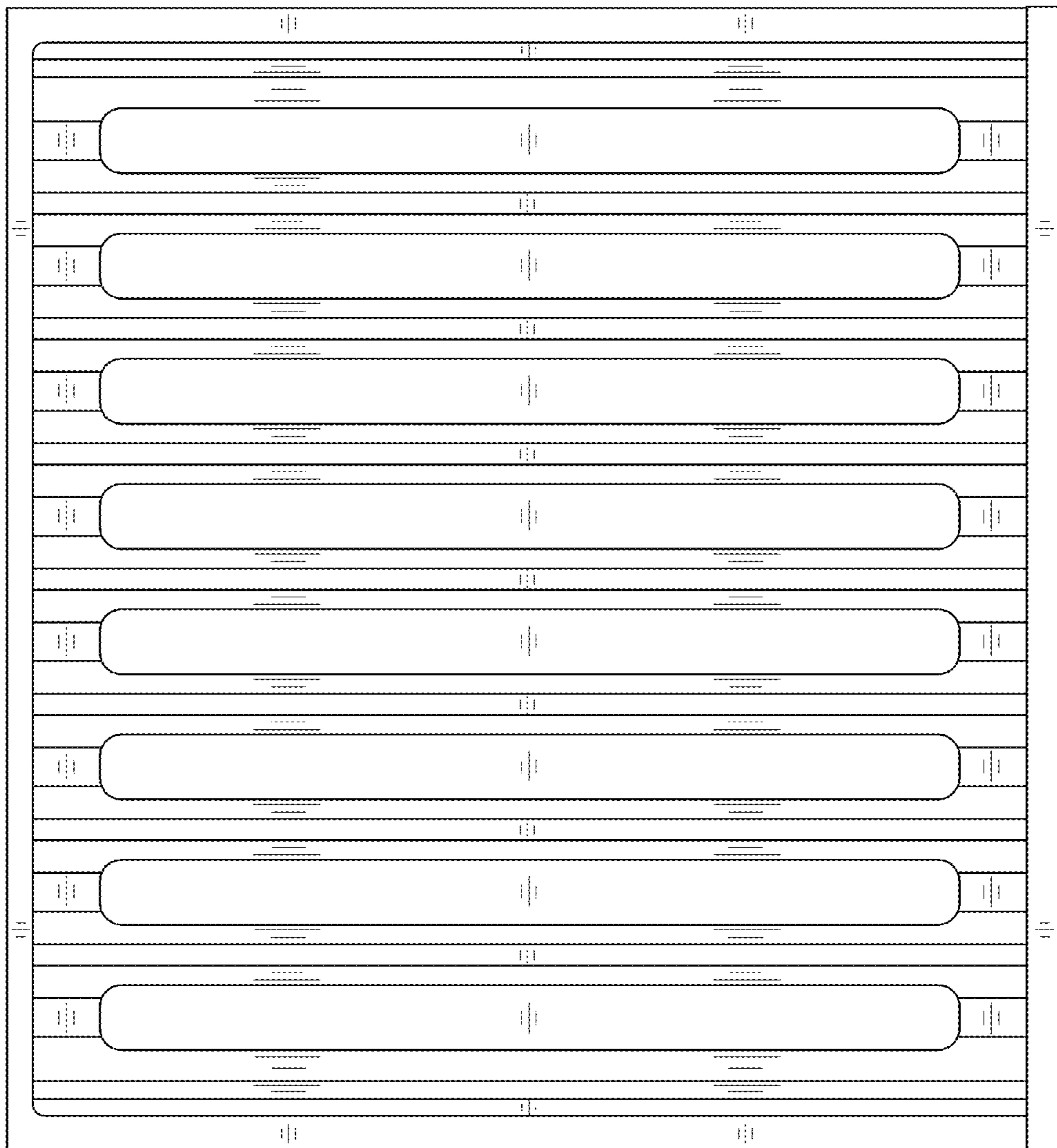


FIG. 7

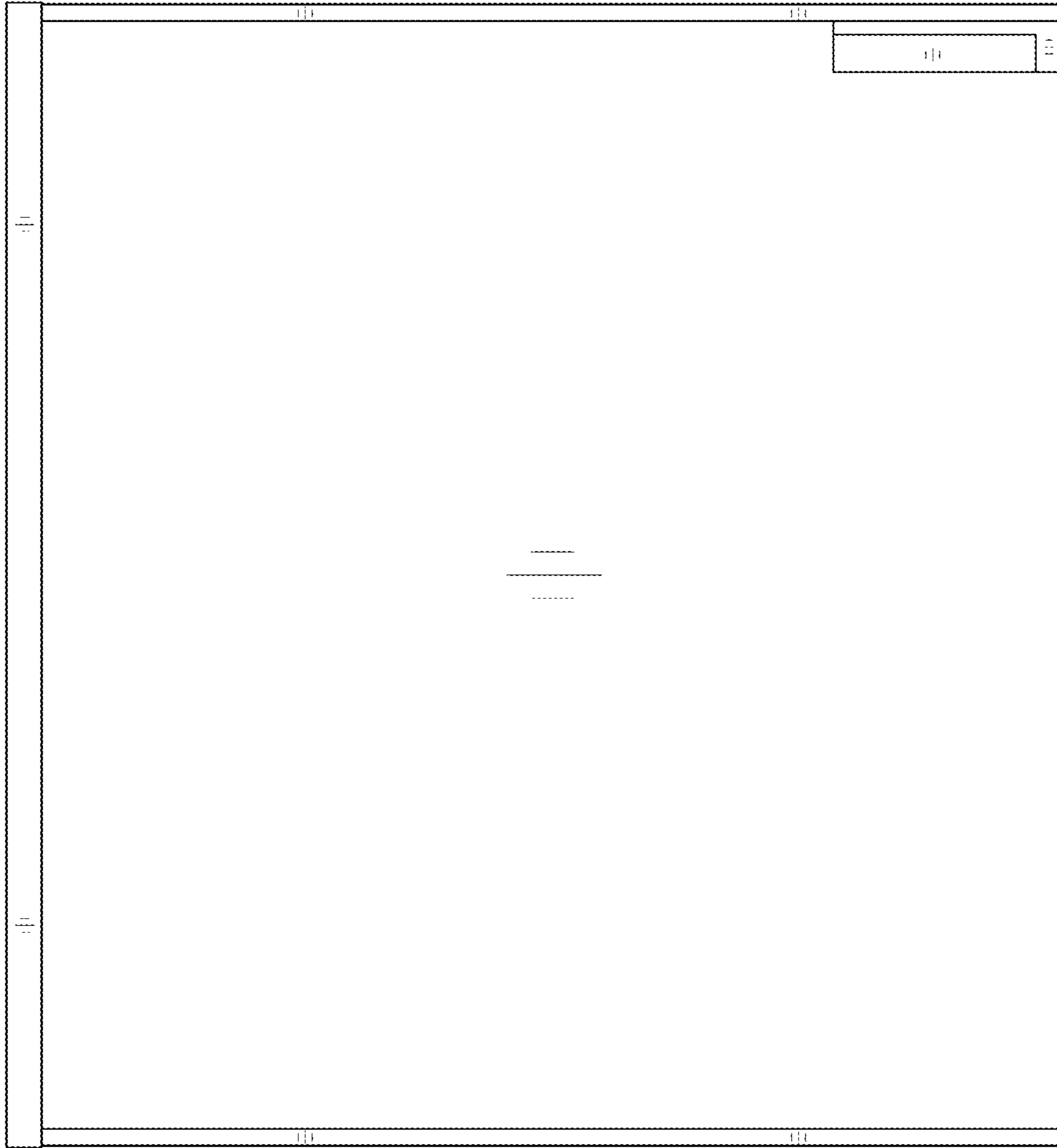


FIG. 8

