

US00D770542S

(12) **United States Design Patent** (10) **Patent No.:** **US D770,542 S**  
**Floeter Junior et al.** (45) **Date of Patent:** **\*\* Nov. 1, 2016**

(54) **DIFFUSER FOR REFRIGERATING APPLIANCE**

(71) Applicant: **Whirlpool S.A.**, São Paulo (BR)

(72) Inventors: **Rodolfo Floeter Junior**, Joinville (BR);  
**Thayane Vitola Rohn Micheviz**,  
Curitiba (BR); **Roberta Pinto**  
**Cavalcanti de Albuquerque**, Joinville  
(BR)

(73) Assignee: **WHIRLPOOL S.A.**, São Paulo (BR)

(\*\*) Term: **14 Years**

(21) Appl. No.: **29/510,192**

(22) Filed: **Nov. 25, 2014**

(30) **Foreign Application Priority Data**

May 26, 2014 (BR) ..... 30 2014 002408 6

(51) **LOC (10) Cl.** ..... **15-07**

(52) **U.S. Cl.**  
USPC ..... **D15/89**

(58) **Field of Classification Search**  
USPC ..... D15/79-91; D23/366, 388, 314, 358,  
D23/386, 499  
CPC .... F25D 23/028; F25D 23/02; F25D 25/025;  
F25D 23/00; F25D 2323/021; F25D 11/00;  
F25D 2323/024; F25D 23/04; F25D 29/00;  
F25D 25/02; F25D 25/024; F25D 27/005;  
F25D 23/12; F25D 29/005; F25D 17/042;  
F25D 2325/021

See application file for complete search history.

(56) **References Cited**

U.S. PATENT DOCUMENTS

2,109,986	A *	3/1938	Atchison .....	F25B 39/024 62/520
2,118,206	A *	5/1938	Kritzer .....	F28F 1/32 165/149
D253,783	S *	12/1979	Engalitcheff, Jr. ....	D23/351
D284,888	S *	7/1986	Morgan .....	D23/370
D511,178	S *	11/2005	Tunzi .....	D15/89
D528,136	S *	9/2006	Brockington .....	D15/89
D667,028	S *	9/2012	Headley, Sr. ....	D15/82
D698,431	S *	1/2014	Garbusi .....	D23/366
D744,012	S *	11/2015	Pfaff .....	D15/89
D744,013	S *	11/2015	Pfaff .....	D15/89
D750,216	S *	2/2016	Bakker, Jr. ....	D23/388
2015/0202942	A1 *	7/2015	Contento .....	B60H 1/00207 165/59

\* cited by examiner

*Primary Examiner* — Daniel Bui

*Assistant Examiner* — Khawaja Anwar

(74) *Attorney, Agent, or Firm* — Andrews Kurth Kenyon  
LLP

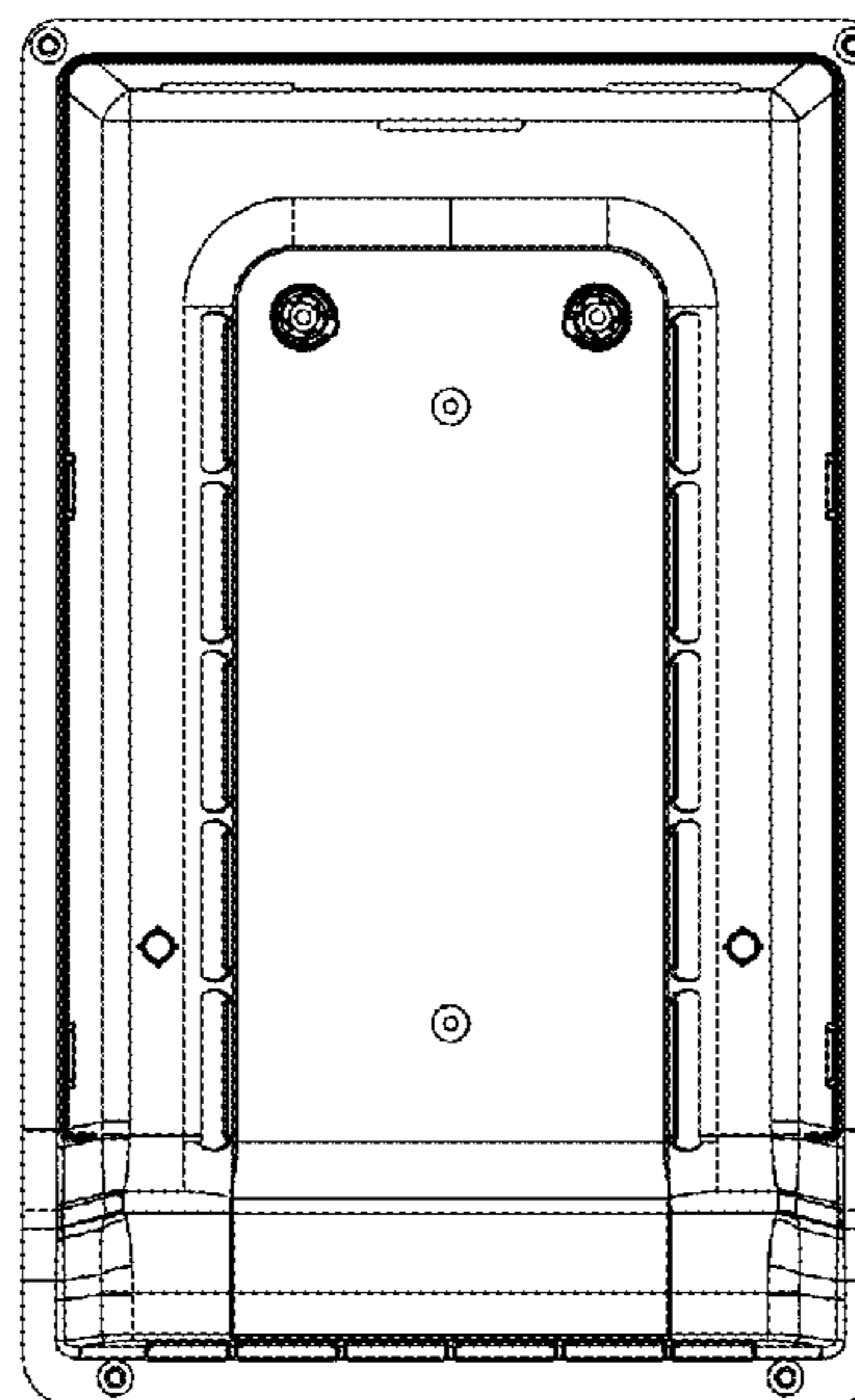
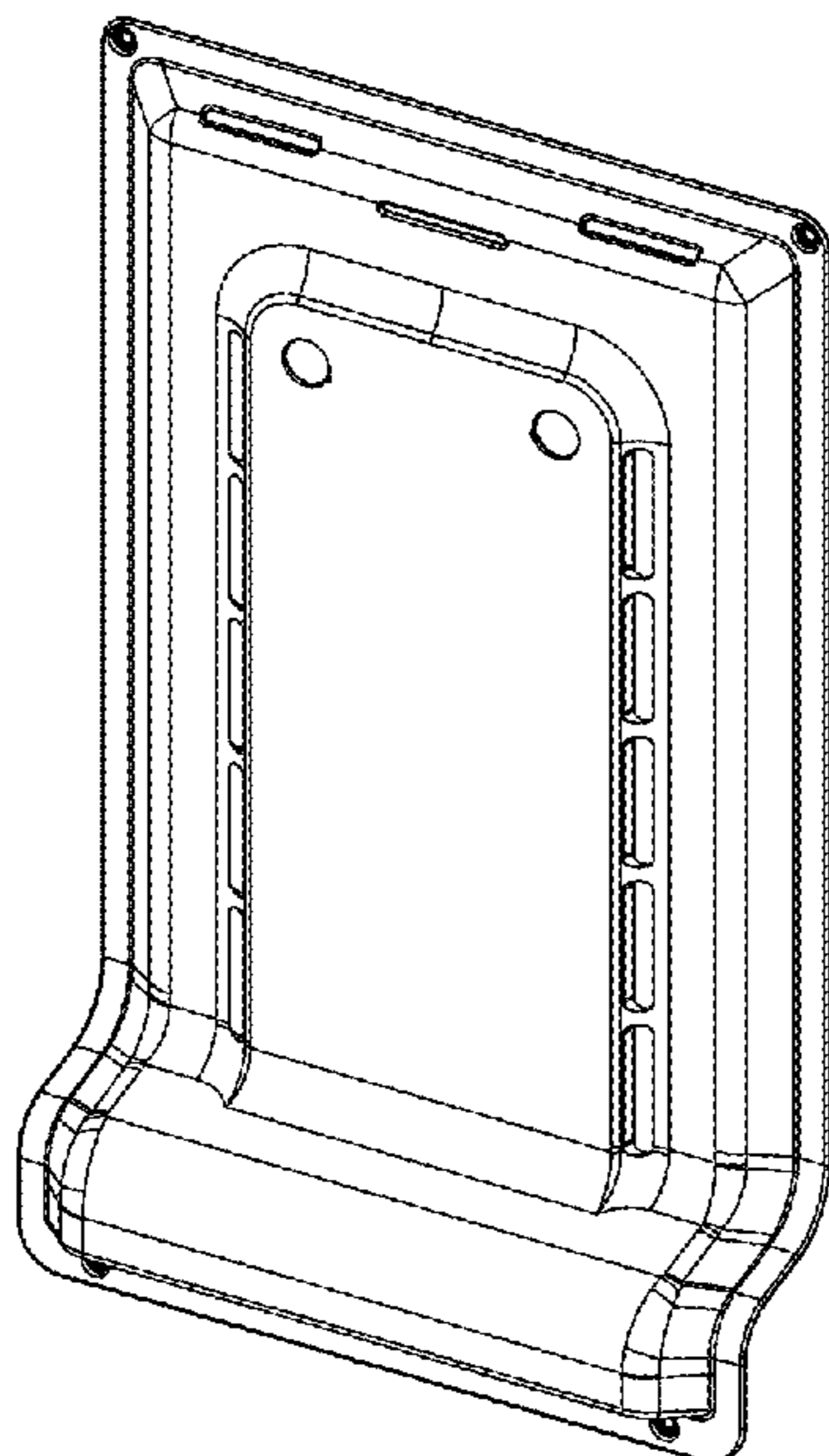
(57) **CLAIM**

The ornamental design for a diffuser for refrigerating appliance, as shown and described.

**DESCRIPTION**

FIG. 1 is a perspective view of a diffuser for a refrigerating appliance, showing our new design;  
FIG. 2 is a front elevation view thereof;  
FIG. 3 is a right side elevation view thereof;  
FIG. 4 is a left side elevation view thereof;  
FIG. 5 is a top plan view thereof;  
FIG. 6 is a back elevation view; and,  
FIG. 7 is a bottom plan view thereof.

**1 Claim, 4 Drawing Sheets**



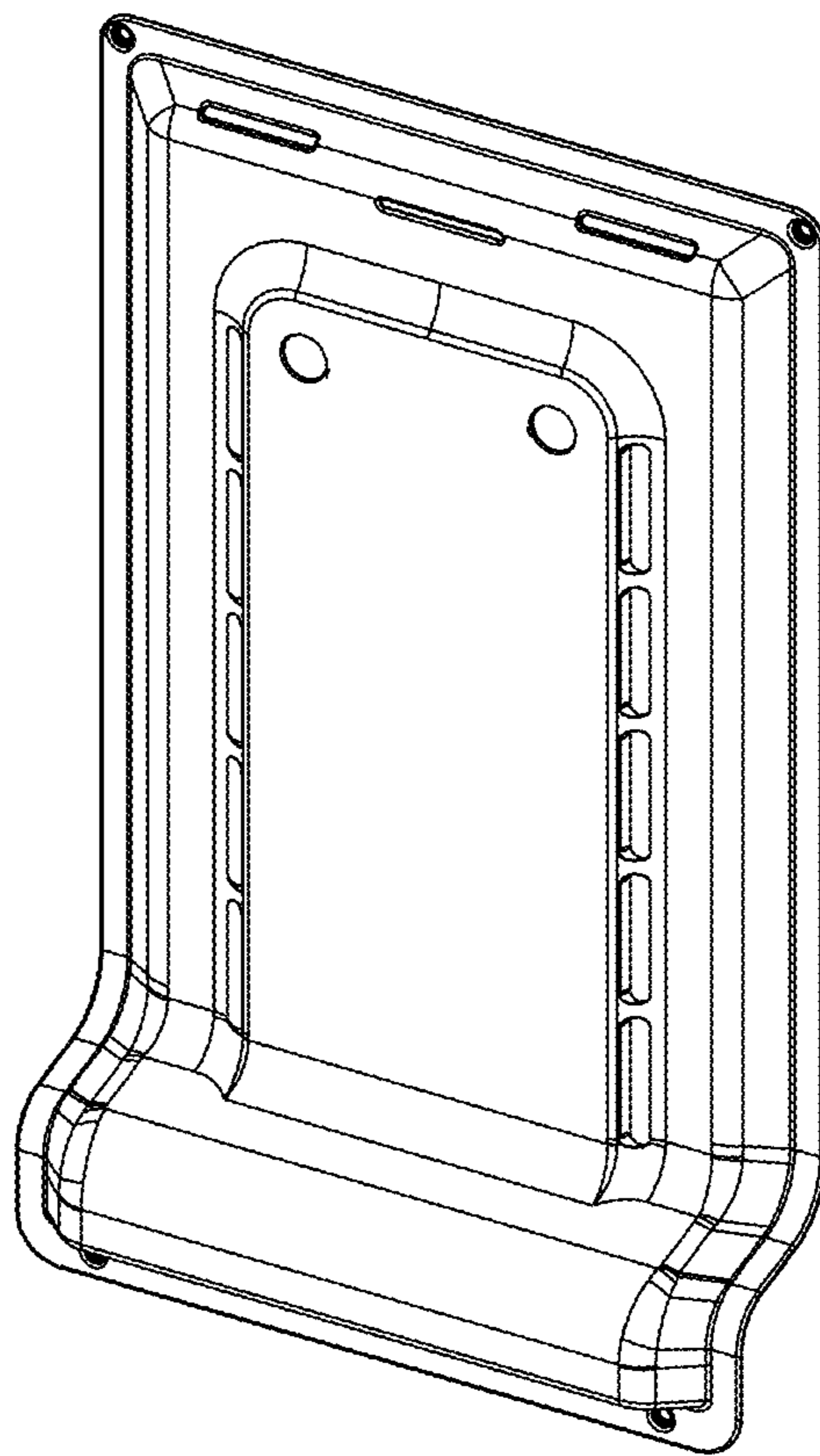


FIG. 1

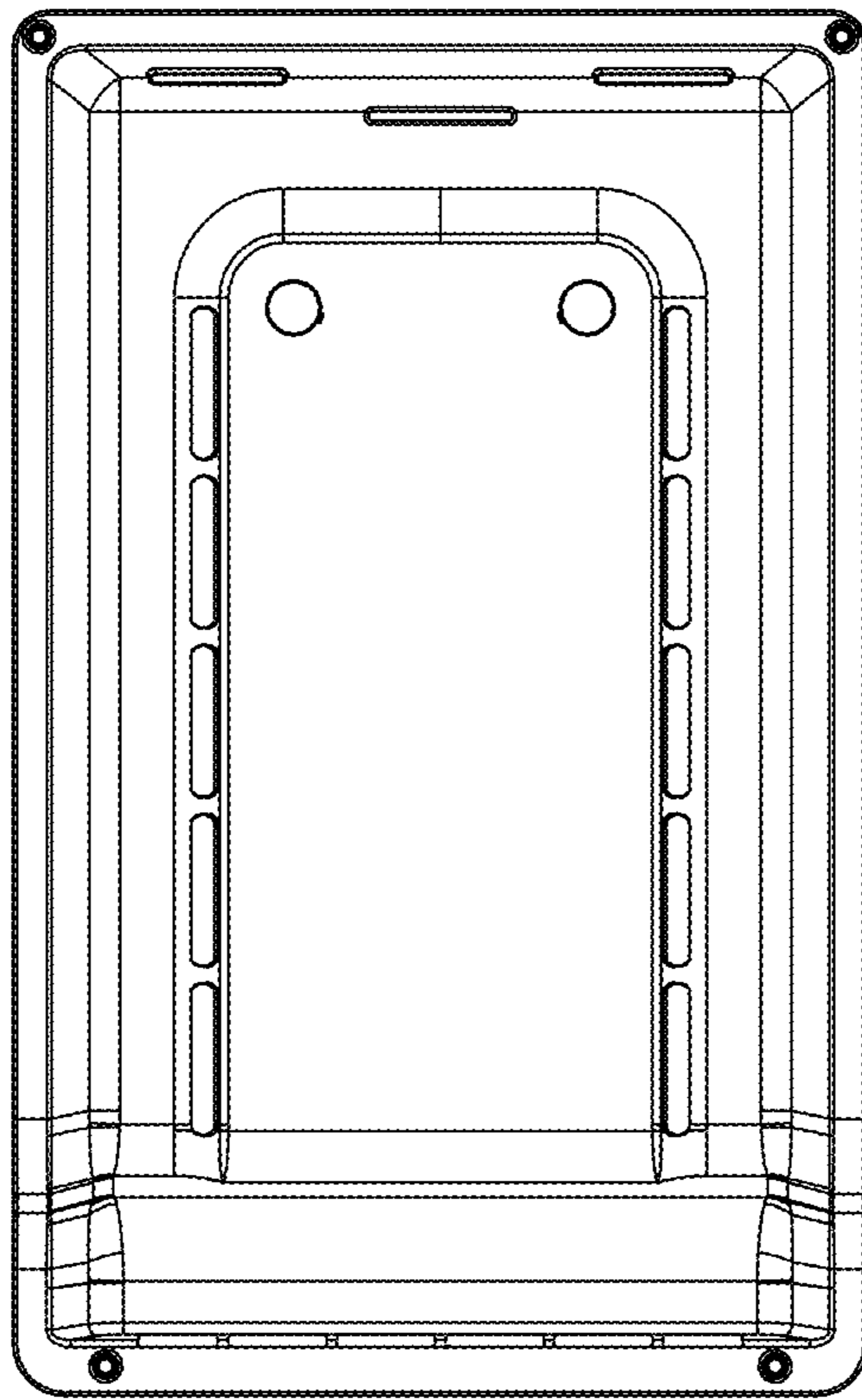


FIG. 2

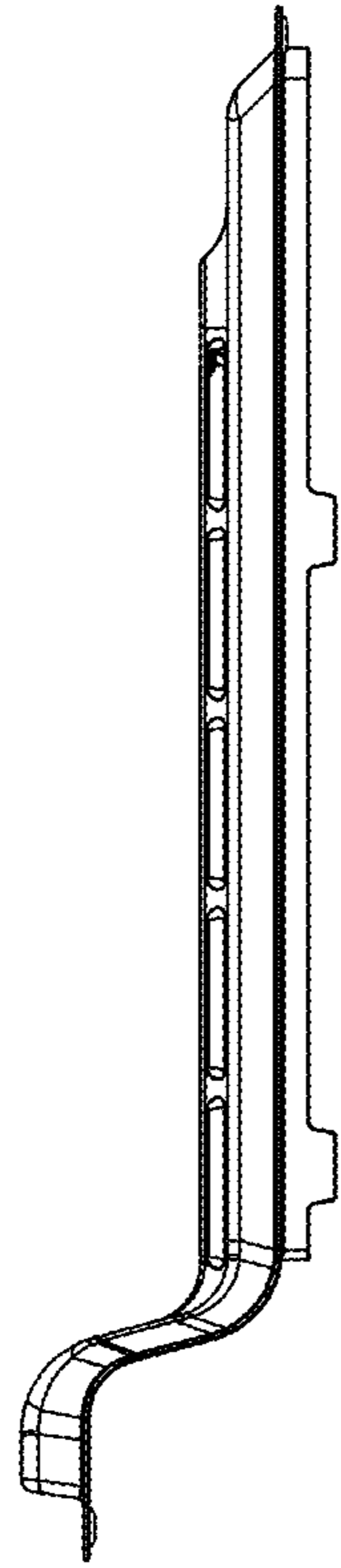


FIG. 3

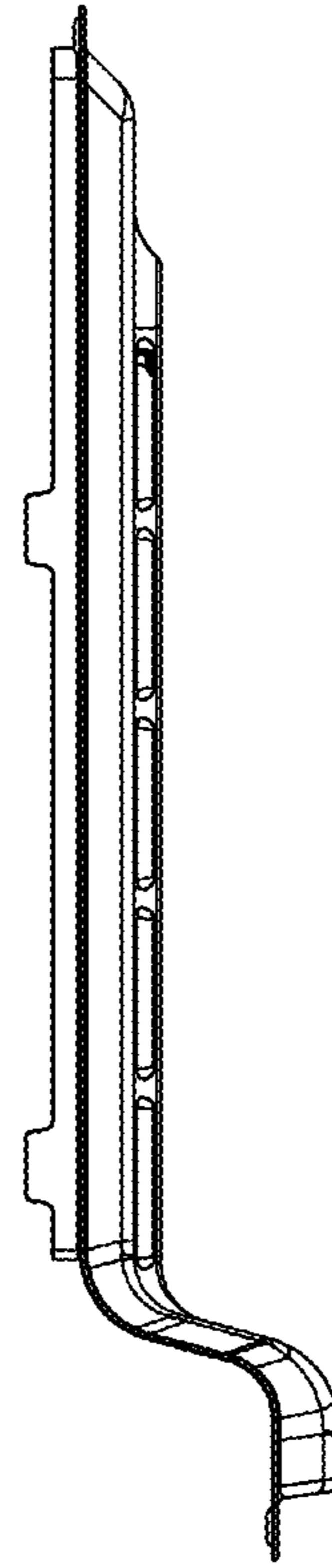


FIG. 4

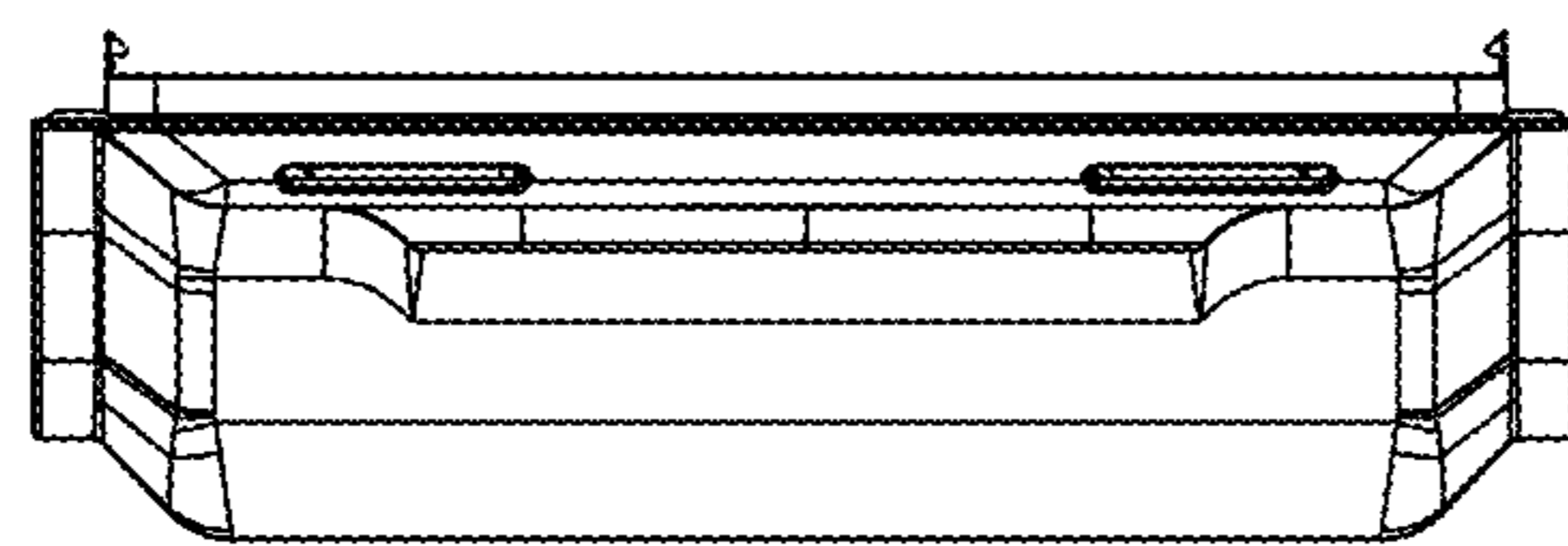


FIG. 5

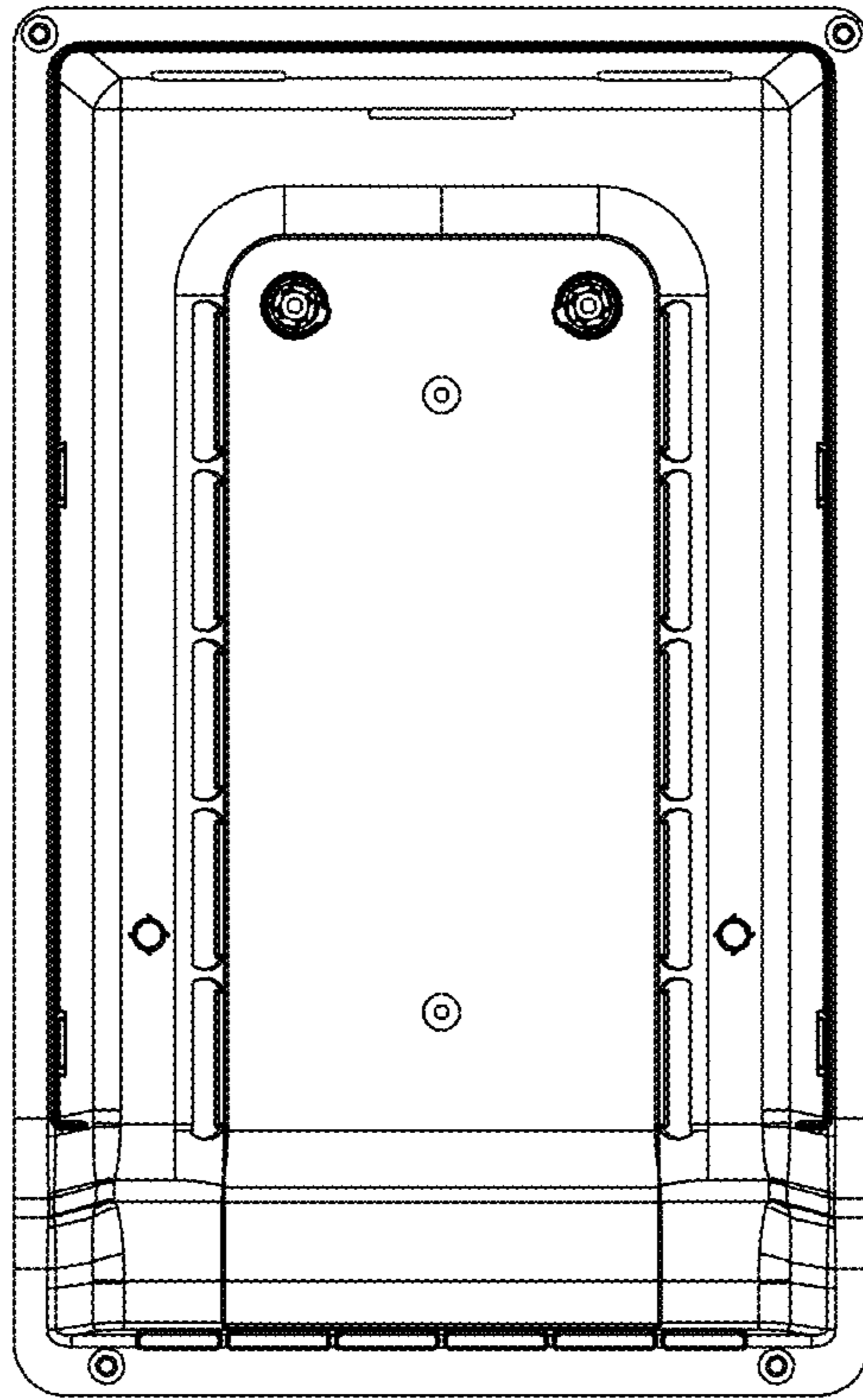


FIG. 6

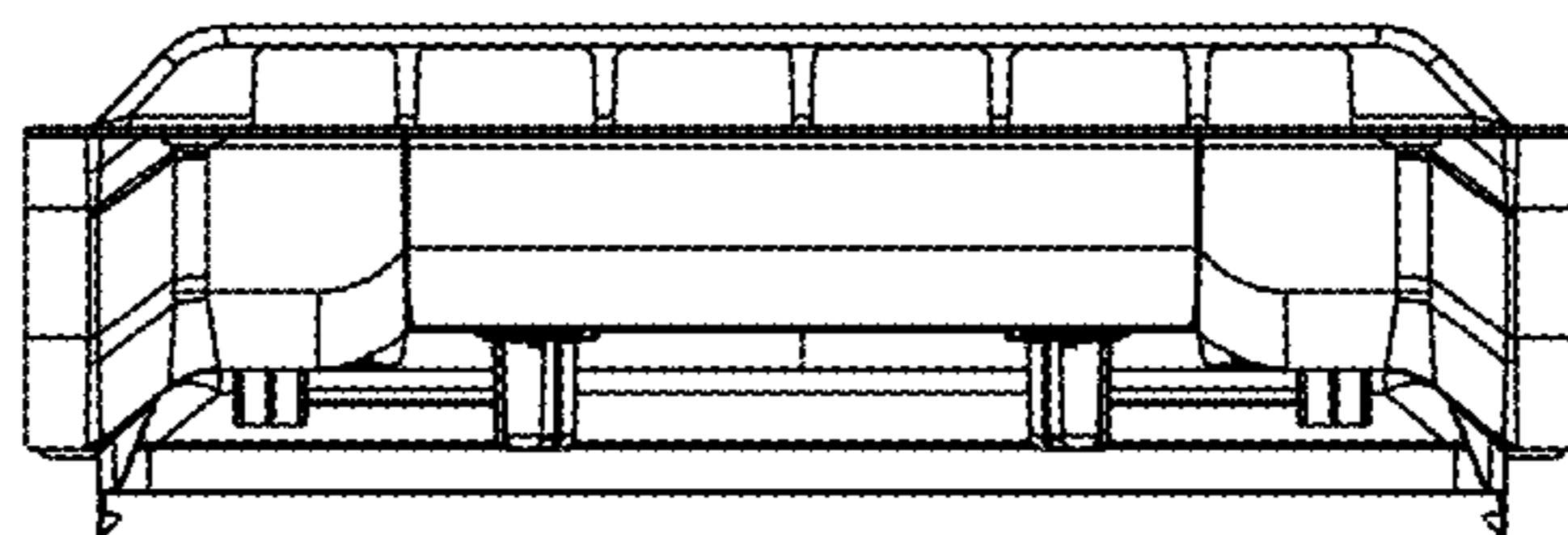


FIG. 7