



US00D770539S

(12) **United States Design Patent**  
**Mast**

(10) **Patent No.:** **US D770,539 S**

(45) **Date of Patent:** **\*\* Nov. 1, 2016**

- (54) **TIRE**
- (71) Applicants: **Compagnie Generale des Etablissements Michelin, Clermont-Ferrand (FR); Michelin Recherche et Technique S.A., Granges-Paccot (CH)**
- (72) Inventor: **Christopher Mast, Greenville, SC (US)**
- (73) Assignees: **Michelin Recherche et Technique S.A., Granges-Paccot (CH); Compagne Generale des Etablissements Michelin, Clermont-Ferrand (FR)**

- 6,279,630 B1 \* 8/2001 Herbert IMS ..... B60B 9/04 152/17
- 6,467,519 B1 \* 10/2002 Owen ..... B60B 15/00 152/323
- D466,962 S \* 12/2002 Chen ..... D21/779
- D470,452 S \* 2/2003 Flood ..... D12/501
- 6,615,885 B1 \* 9/2003 Ohm ..... B60B 9/26 152/11
- D480,436 S \* 10/2003 Hong ..... D21/423
- D491,132 S \* 6/2004 Brown ..... D12/570
- D497,590 S \* 10/2004 Brown ..... D12/570
- D523,805 S \* 6/2006 Martin ..... D12/501
- D530,726 S \* 10/2006 Martin ..... D12/592
- D596,550 S \* 7/2009 Marquette ..... D12/211
- D640,439 S \* 6/2011 Morris ..... D34/27
- 8,056,593 B2 \* 11/2011 Palinkas ..... B29D 30/02 152/323

(\*\*) Term: **15 Years**

(Continued)

(21) Appl. No.: **29/530,437**

(22) Filed: **Jun. 16, 2015**

(51) **LOC (10) Cl.** ..... **15-03**

(52) **U.S. Cl.**  
USPC ..... **D15/17**

(58) **Field of Classification Search**  
USPC ..... D15/14-18, 11, 28; D12/500, 570, 605, D12/501, 210, 592, 135, 209, 204; D21/779; 152/5, 84, 17, 74; 301/5.309  
CPC ..... B29C 41/38; B29C 41/042; B29D 30/02; B60B 9/26; B60B 9/00; B60B 9/04; B60C 7/14; B60C 7/22; B60C 7/00; B60C 7/12; B60C 2007/107; B60C 2007/146  
See application file for complete search history.

(56) **References Cited**

**U.S. PATENT DOCUMENTS**

- 2,742,941 A \* 4/1956 Johnson ..... B60C 7/12 152/326
- D249,678 S \* 9/1978 Rotheiser ..... D12/204
- 5,042,544 A \* 8/1991 Dehasse ..... B60C 7/12 152/302
- D325,011 S \* 3/1992 Markling ..... D12/210
- D328,053 S \* 7/1992 Markling ..... D12/501

**OTHER PUBLICATIONS**

Wheels! Shane Colter, Sep. 15, 2010; <http://scolton.blogspot.com/2010/09/wheels.html>.

(Continued)

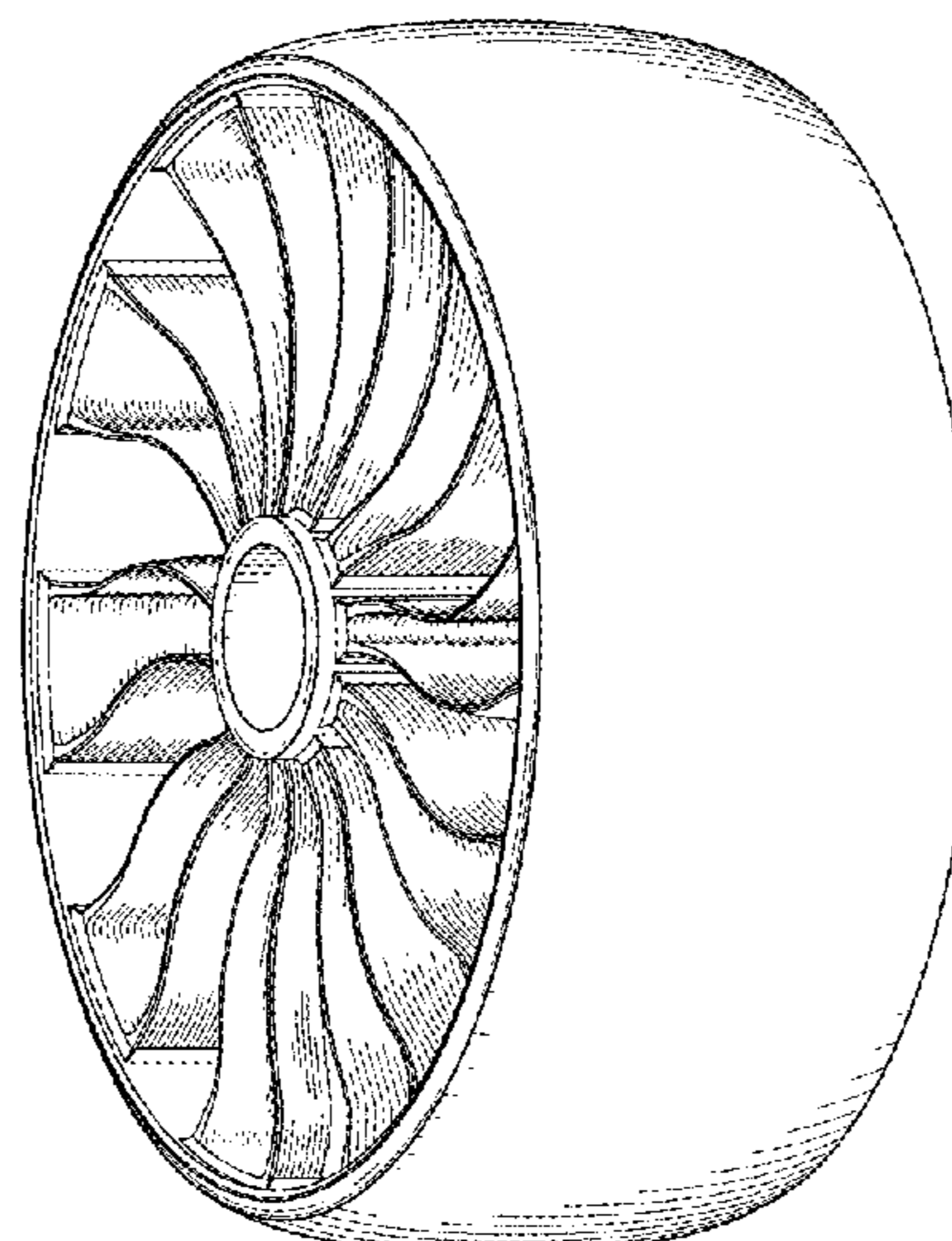
*Primary Examiner* — Mark Goodwin  
(74) *Attorney, Agent, or Firm* — John Steckler Schwab

(57) **CLAIM**  
The ornamental design for a tire, as shown and described.

**DESCRIPTION**

FIG. 1 is a front right perspective view of a tire showing our new design, the opposite side perspective being a mirror image thereof, it being understood that the tread forms no part of the claimed design;  
FIG. 2 is a front elevation view thereof;  
FIG. 3 is a rear elevation view thereof;  
FIG. 4 is a right elevation view thereof;  
FIG. 5 is a left elevation view thereof;  
FIG. 6 is a top elevation view thereof;  
FIG. 7 is a bottom elevation view thereof; and,  
FIG. 8 is a cross-sectional view taken along line 8-8 of FIG. 2.

**1 Claim, 4 Drawing Sheets**



(56)

References Cited

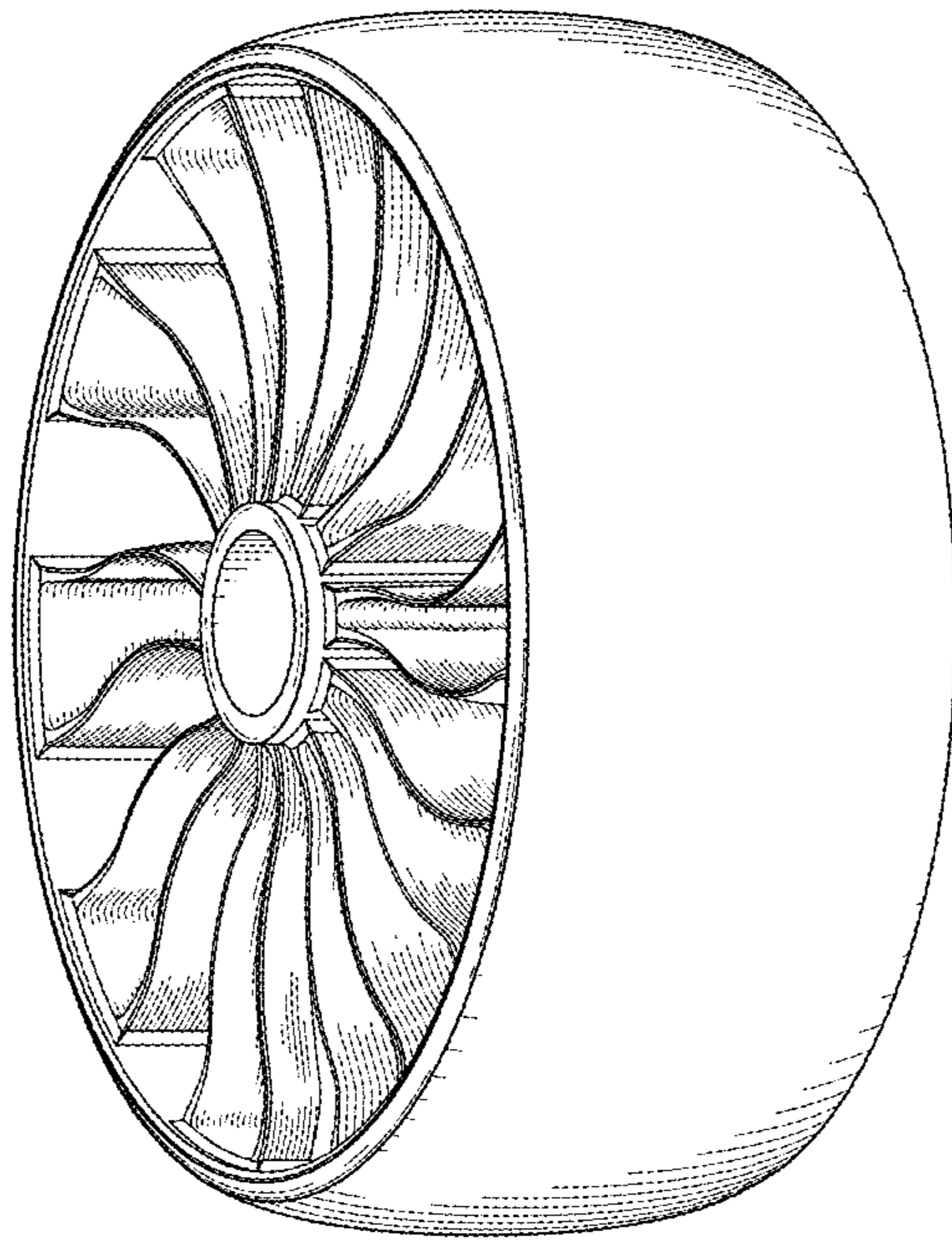
U.S. PATENT DOCUMENTS

8,061,398	B2 *	11/2011	Palinkas	.....	B29D 30/02 152/323
8,104,524	B2 *	1/2012	Manesh	.....	B60B 9/00 152/301
8,109,308	B2 *	2/2012	Manesh	.....	B60C 7/14 152/326
8,113,253	B2 *	2/2012	Arakawa	.....	B60B 9/10 152/11
8,176,957	B2 *	5/2012	Manesh	.....	B60C 7/12 152/301
8,609,220	B2 *	12/2013	Summers	.....	C22C 1/08 152/246
8,813,797	B2 *	8/2014	Anderson	.....	B60C 7/105 152/11
8,944,125	B2 *	2/2015	Manesh	.....	B60C 7/12 152/326
D727,247	S *	4/2015	Martin	.....	D12/570
9,004,127	B2 *	4/2015	Manesh	.....	B60B 9/00 152/301
D731,962	S *	6/2015	Martin	.....	D12/605
9,266,388	B2 *	2/2016	Schaedler	.....	B60B 9/26
2002/0096237	A1 *	7/2002	Burhoe	.....	B60B 9/00 152/11
2007/0215259	A1 *	9/2007	Burns	.....	B60C 7/10 152/302
2008/0314486	A1 *	12/2008	Manesh	.....	B60C 7/14 152/328
2009/0283185	A1 *	11/2009	Manesh	.....	B60B 9/00 152/11
2011/0011506	A1 *	1/2011	Manesh	.....	B60C 7/12 152/328
2011/0024008	A1 *	2/2011	Manesh	.....	B29D 30/02 152/5
2011/0079335	A1 *	4/2011	Manesh	.....	B60C 7/12 152/310
2011/0240193	A1 *	10/2011	Matsuda	.....	B29D 30/00 152/246
2012/0216932	A1 *	8/2012	Cron	.....	B60C 7/18 152/246
2013/0240097	A1	9/2013	Cron et al.		
2013/0278045	A1 *	10/2013	Dotson	.....	B29D 30/02 301/79
2013/0287982	A1	10/2013	Dotson		
2014/0238561	A1 *	8/2014	Choi	.....	B60C 7/18 152/17

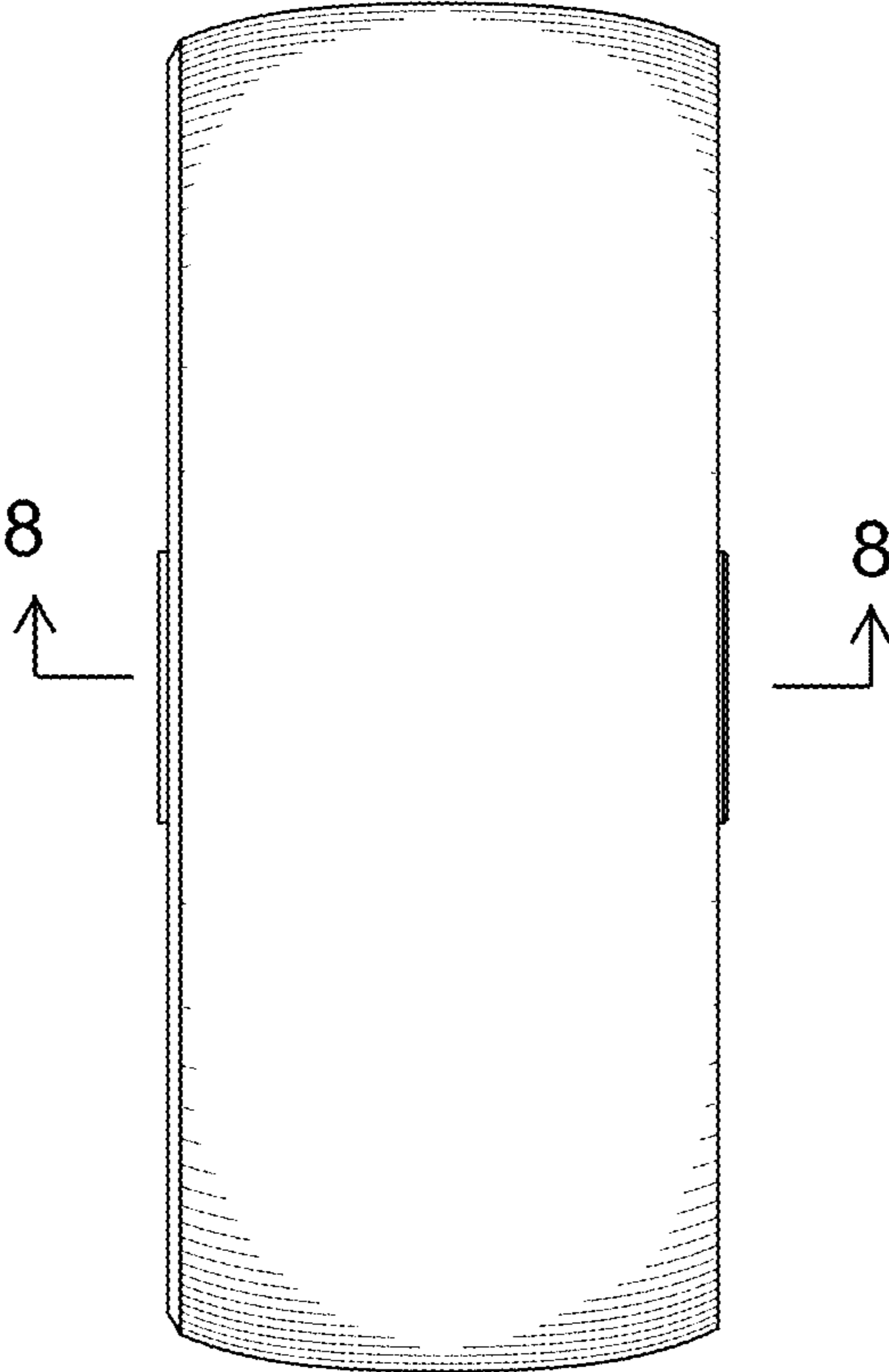
OTHER PUBLICATIONS

Polyurethane—Tread Wheels, McMaster-Carr; [www.mcmaster.com/#catalog/121/1393/=w8kb7x](http://www.mcmaster.com/#catalog/121/1393/=w8kb7x).  
Compliant Rollers, Silverlining WebGraphics; [http://www.urethaneservices.com/urethane/products/compliant\\_roller.html](http://www.urethaneservices.com/urethane/products/compliant_roller.html).

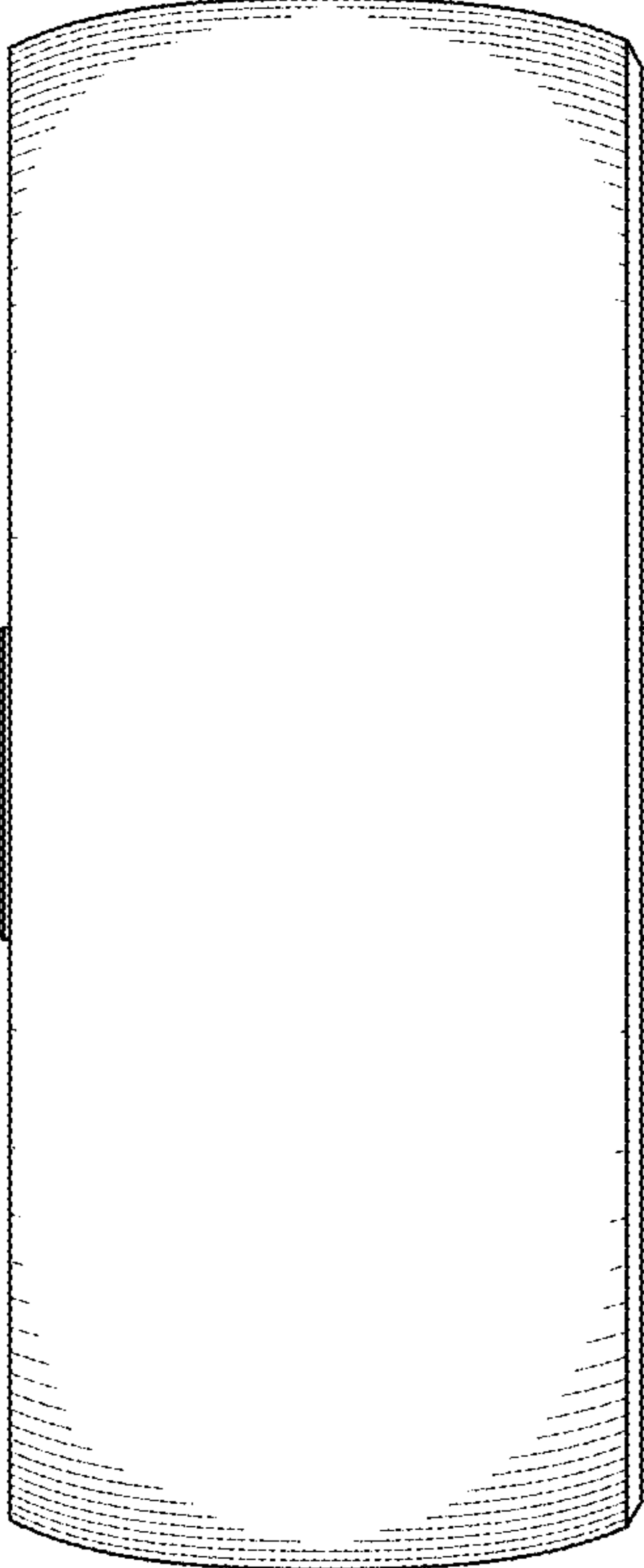
\* cited by examiner



**FIG. 1**

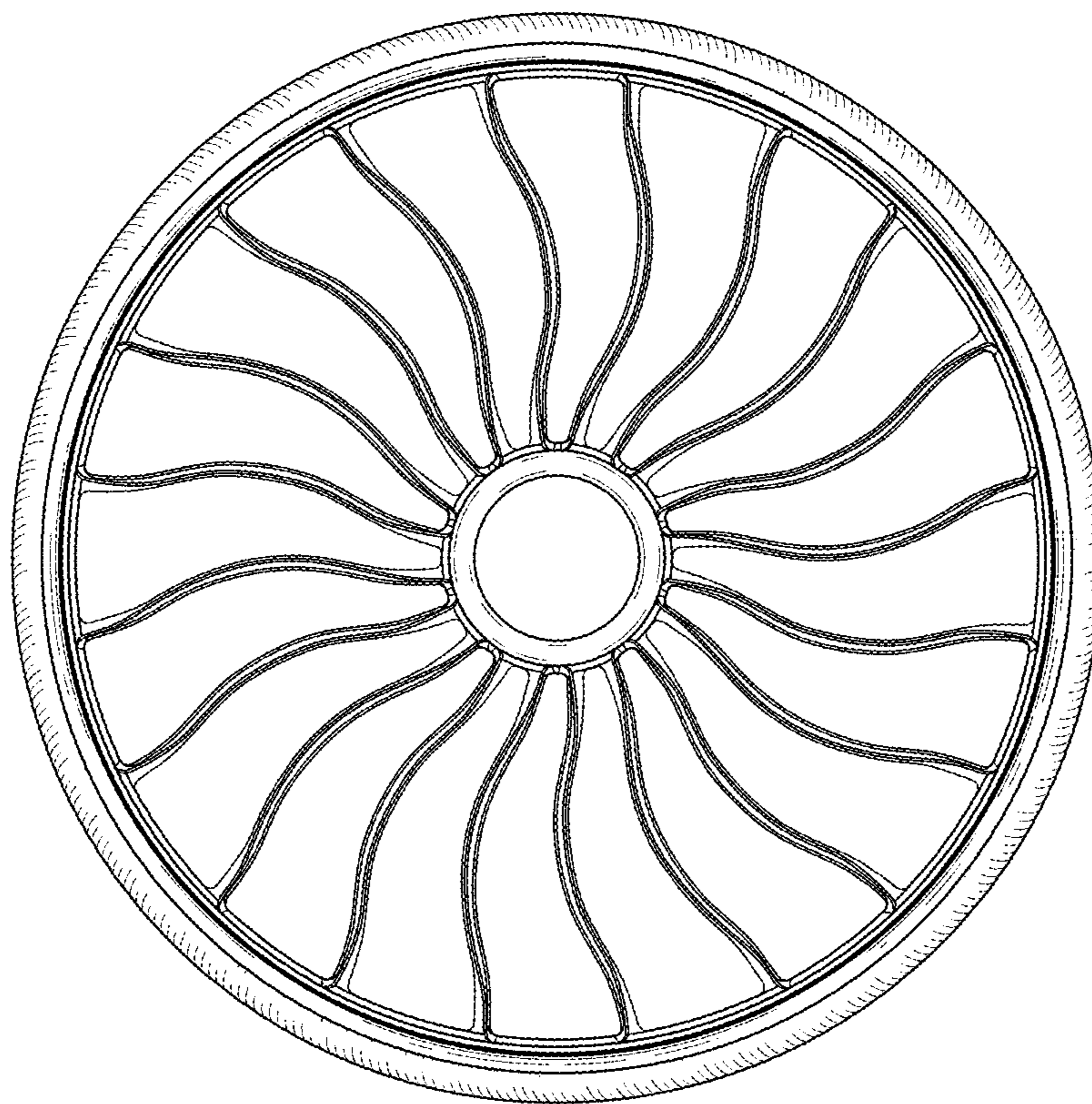


**FIG. 2**

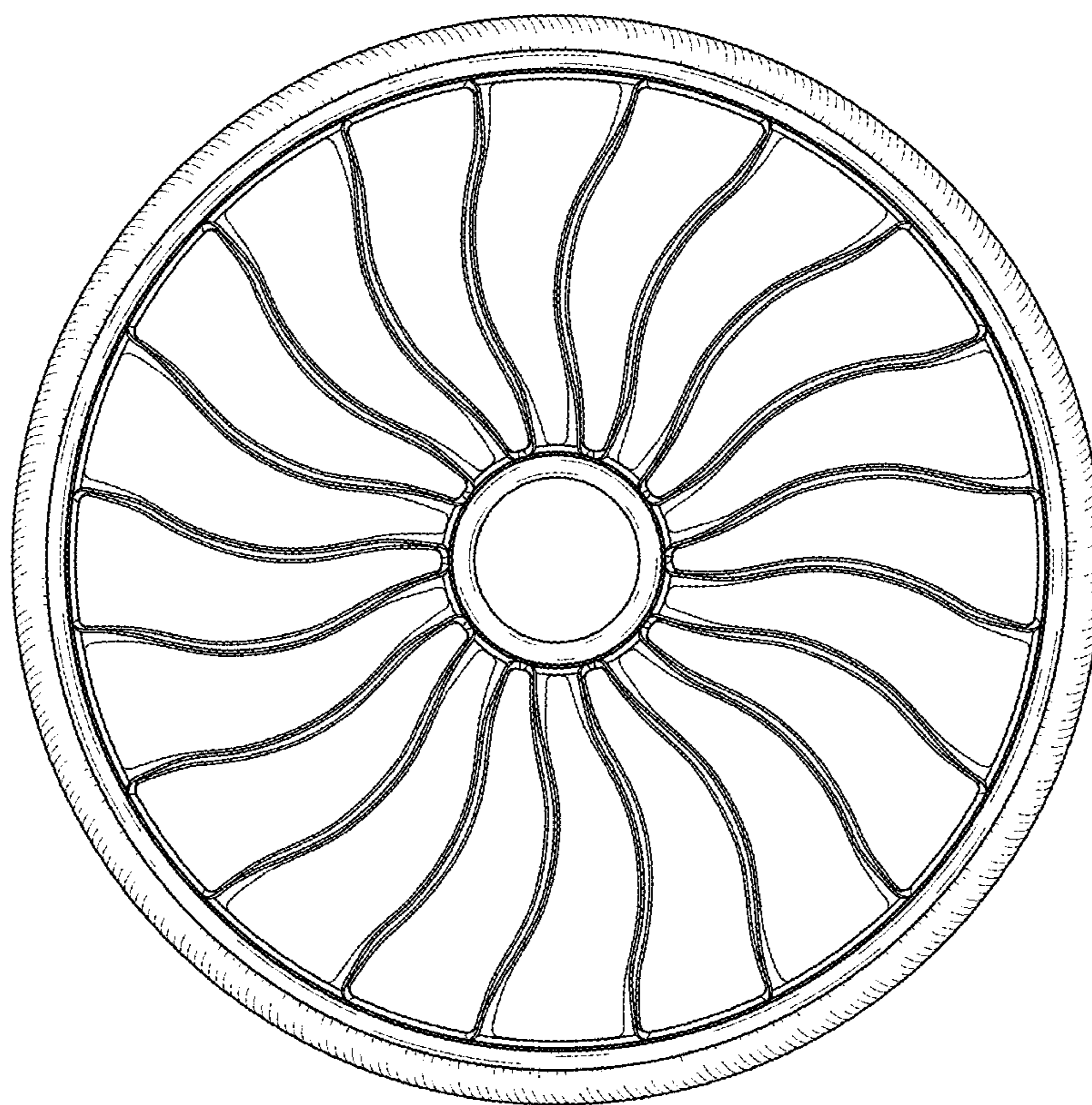


**FIG. 3**

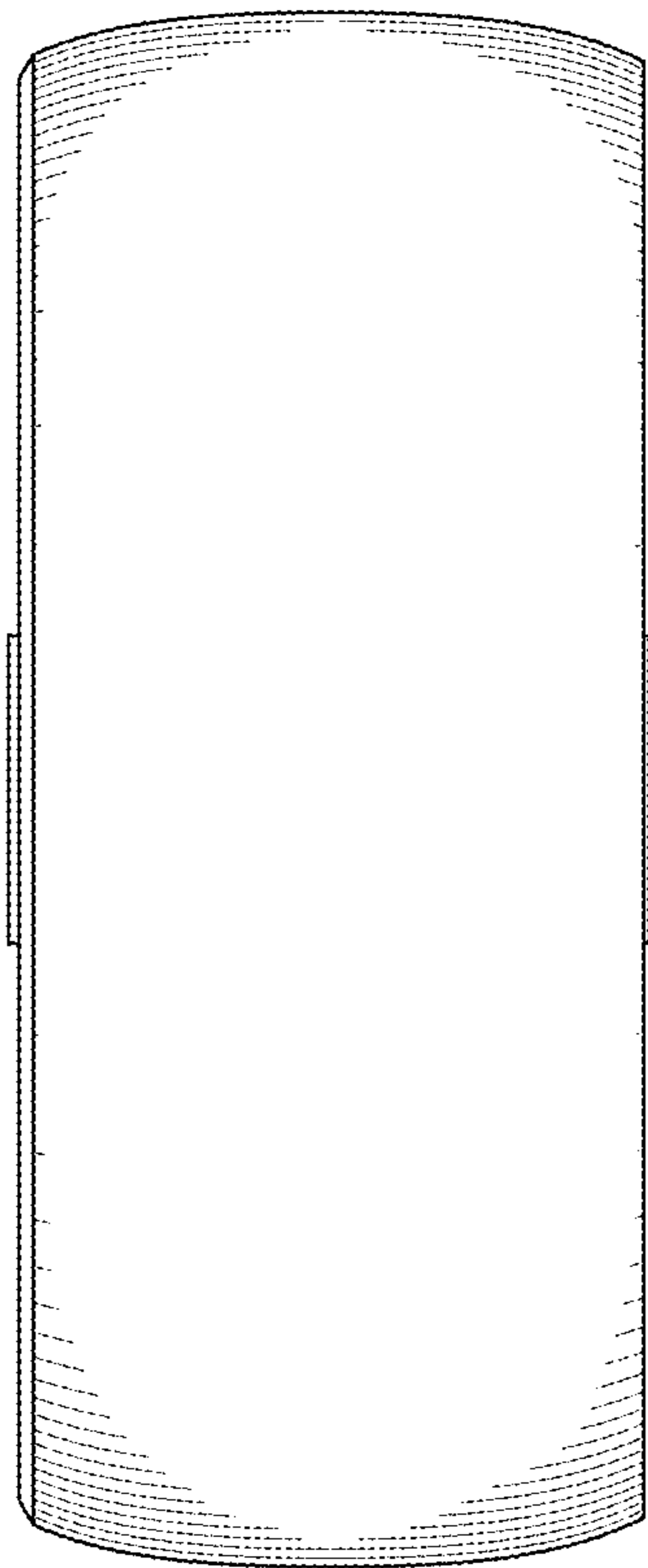




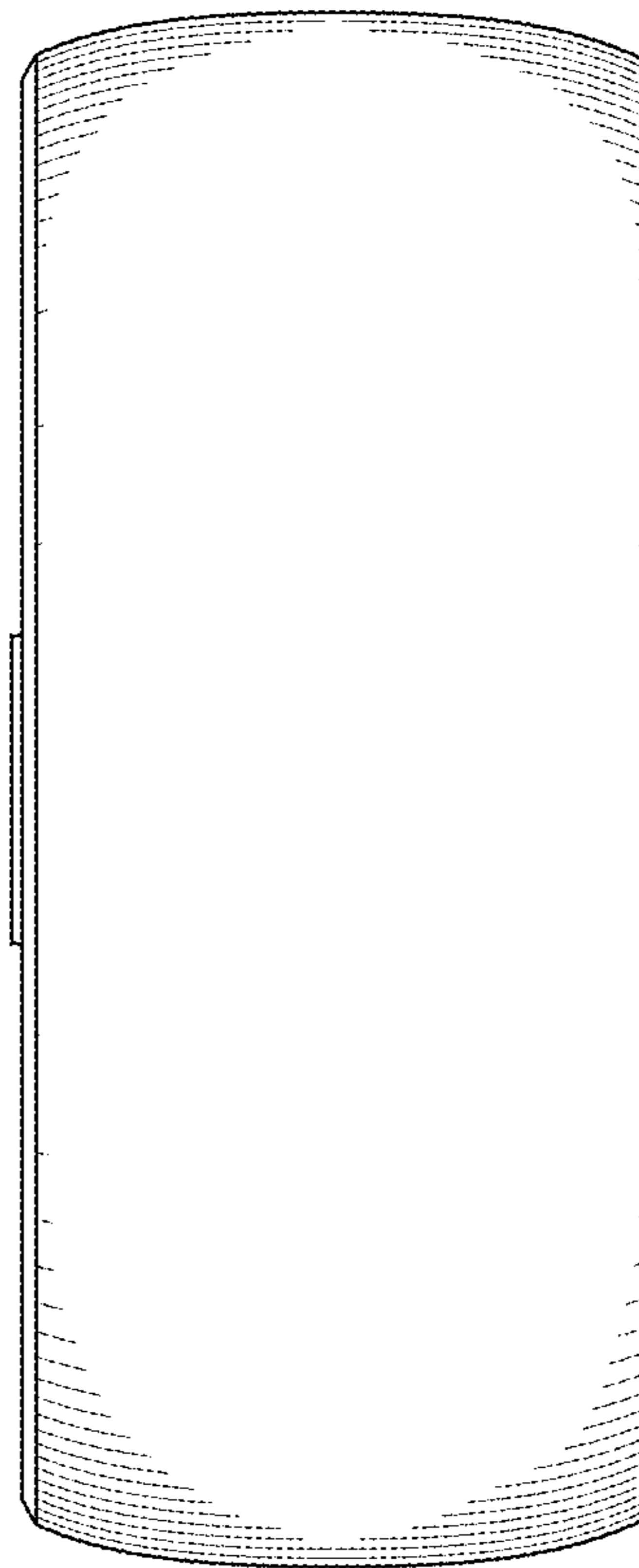
**FIG. 4**



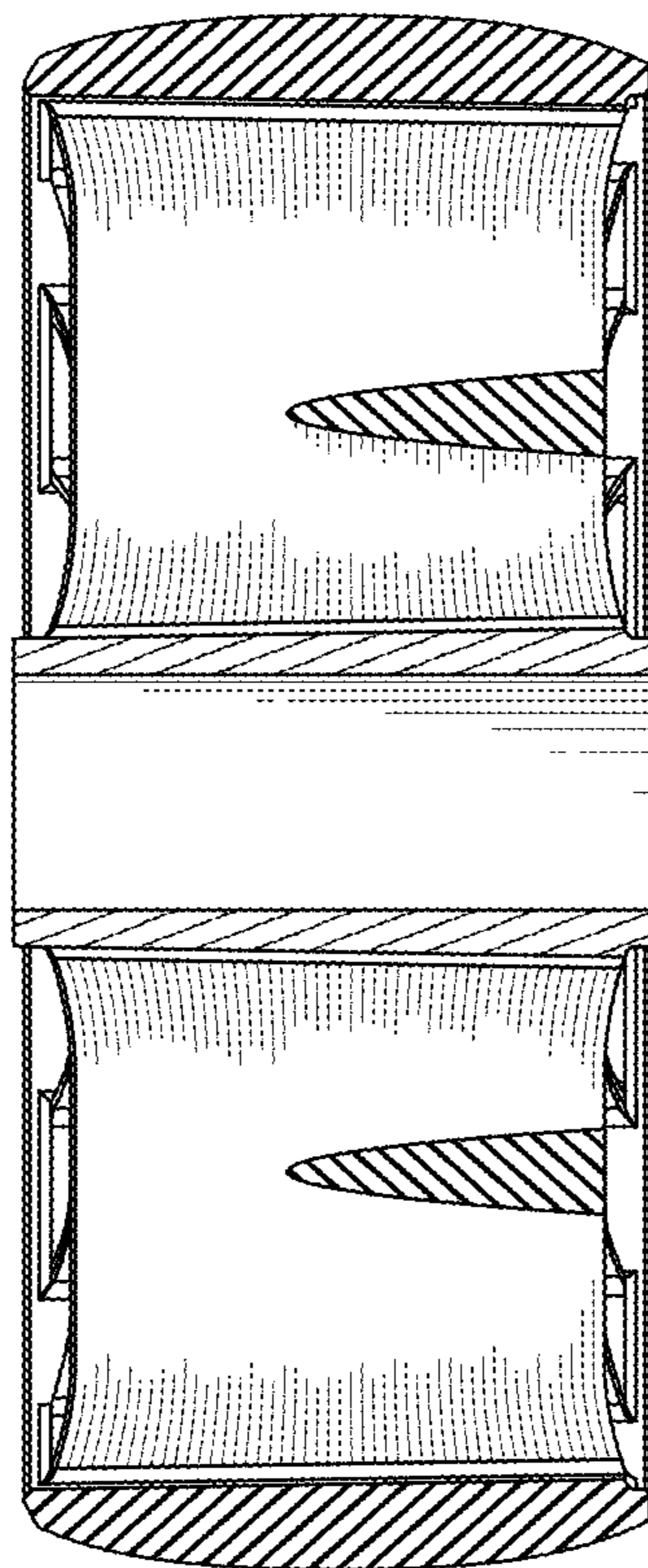
**FIG. 5**



**FIG. 6**



**FIG. 7**



**FIG. 8**