



US00D770538S

(12) **United States Design Patent** (10) **Patent No.:** **US D770,538 S**  
**Li** (45) **Date of Patent:** **\*\* Nov. 1, 2016**

(54) **REFRIGERANT COMPRESSOR**  
(71) Applicant: **Zhejiang Bolaite Refrigeration Equipment Co., Ltd., Shaoxing (CN)**  
(72) Inventor: **Yongda Li, Shaoxing (CN)**  
(73) Assignee: **Zhejiang Bolaite Refrigeration Equipment Co., Ltd., Shaoxing, Zhejiang (CN)**

(\*\*) Term: **15 Years**

(21) Appl. No.: **29/540,242**

(22) Filed: **Sep. 22, 2015**

(30) **Foreign Application Priority Data**  
Jul. 8, 2015 (CN) ..... 2015 3 0242574

(51) **LOC (10) Cl.** ..... **15-02**

(52) **U.S. Cl.**  
USPC ..... **D15/9**

(58) **Field of Classification Search**  
USPC ..... D15/7-9; D23/231, 232, 225; 417/60, 417/235, 265, 321, 355, 358, 363, 359, 417/410.1, 415-416, 405, 900, 423.14, 417/423.15, 423.9; 60/408, 412; 184/26-37; 415/140-147; 123/495, 123/509; 137/565.34  
CPC .. F02M 37/04; F02M 37/14; F04D 15/0218; F04D 9/02

See application file for complete search history.

(56) **References Cited**  
U.S. PATENT DOCUMENTS  
D394,068 S \* 5/1998 Pollrich ..... D15/9  
D479,247 S \* 9/2003 Ullrich ..... D15/9  
D485,565 S \* 1/2004 Martinello ..... D15/7  
D518,068 S \* 3/2006 Rodopoulos ..... D15/7  
D562,849 S \* 2/2008 Buitenhuis ..... D15/7  
D717,344 S \* 11/2014 Ohser ..... D15/9  
D733,764 S \* 7/2015 Ohser ..... D15/9  
D745,896 S \* 12/2015 Ohser ..... D15/9

\* cited by examiner

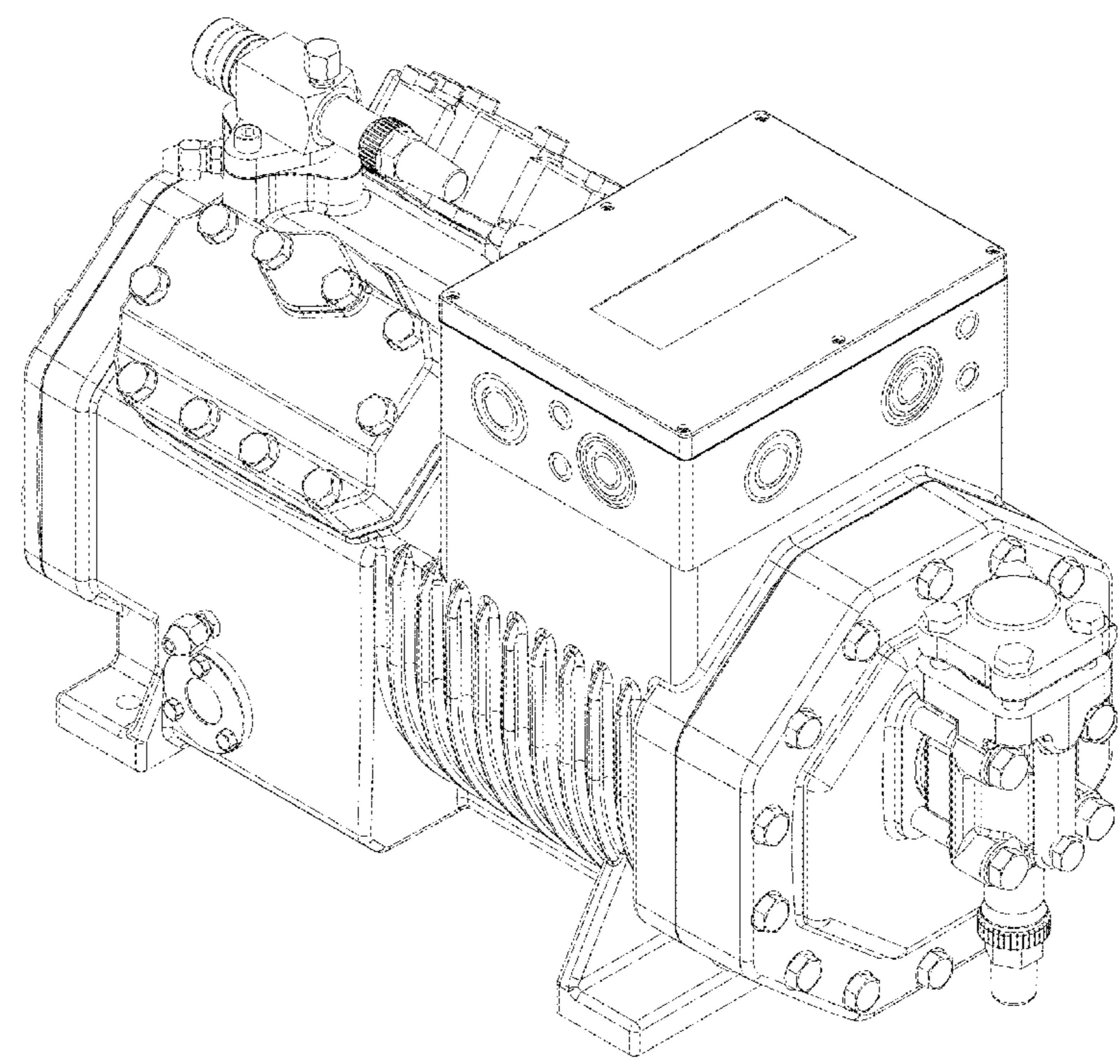
*Primary Examiner* — Ralf Seifert

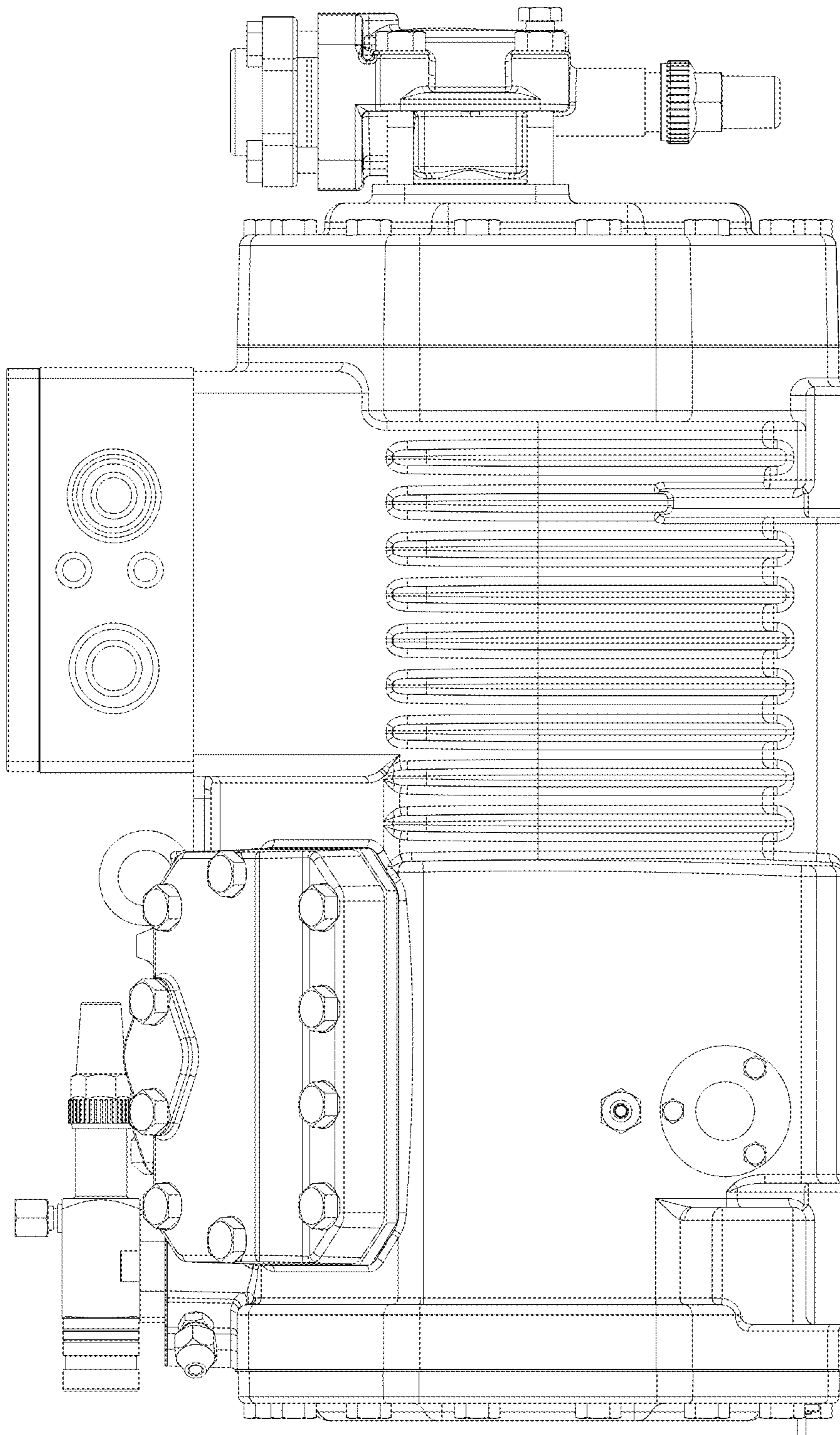
(57) **CLAIM**  
The ornamental design for a refrigerant compressor, as shown and described.

**DESCRIPTION**

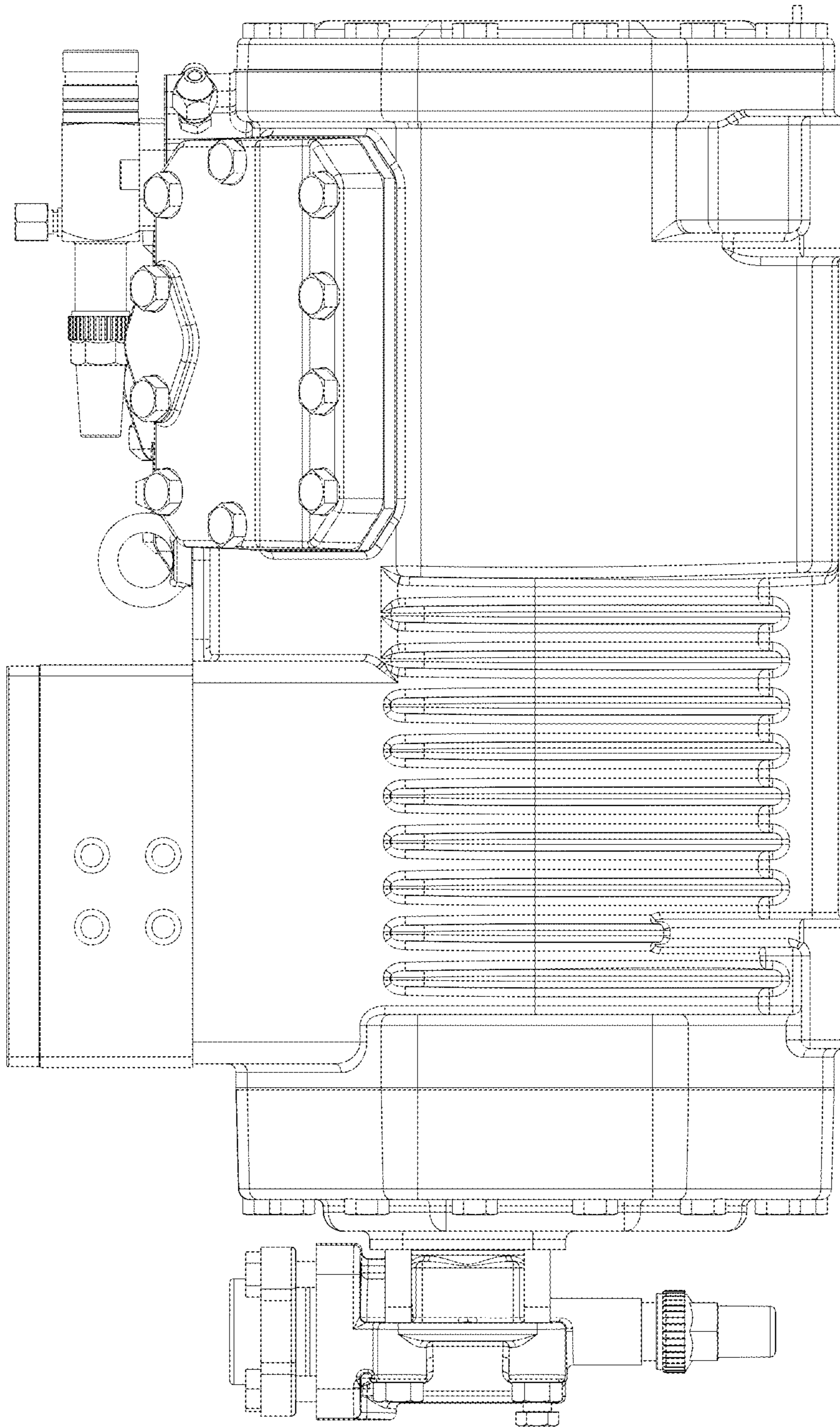
FIG. 1 is a front view of refrigerant compressor showing my present design;  
FIG. 2 is a rear view thereof;  
FIG. 3 is a left side view thereof;  
FIG. 4 is a right side view thereof;  
FIG. 5 is a top view thereof;  
FIG. 6 is a bottom view thereof;  
FIG. 7 is a perspective view thereof;  
FIG. 8 is a perspective view of another visual angle thereof;  
FIG. 9 is a perspective view of another visual angle thereof; and,  
FIG. 10 is a perspective view of a refrigerant compressor, showing my present design in another visual angle.

**1 Claim, 10 Drawing Sheets**

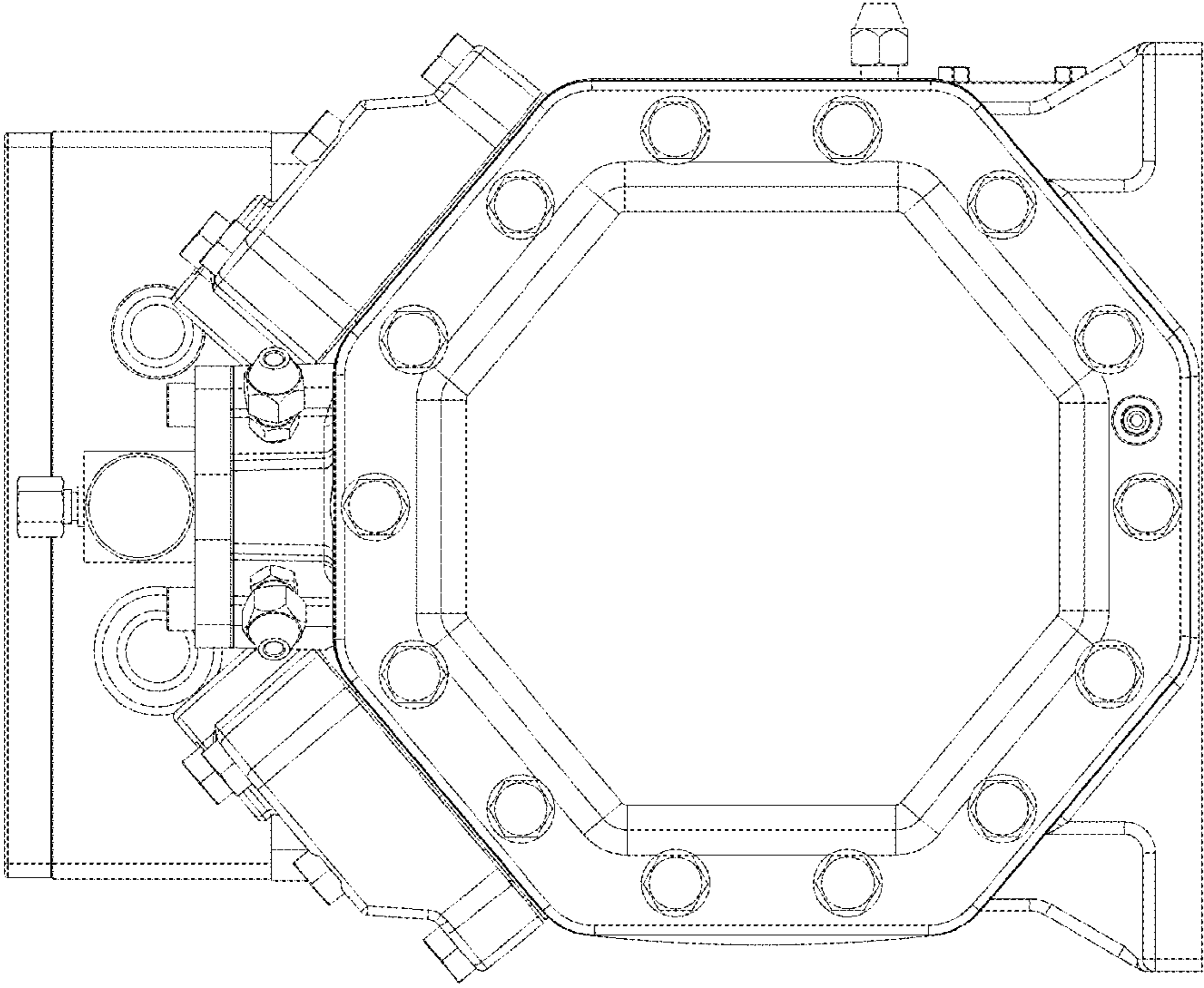




**FIG. 1**



**FIG. 2**



**FIG. 3**

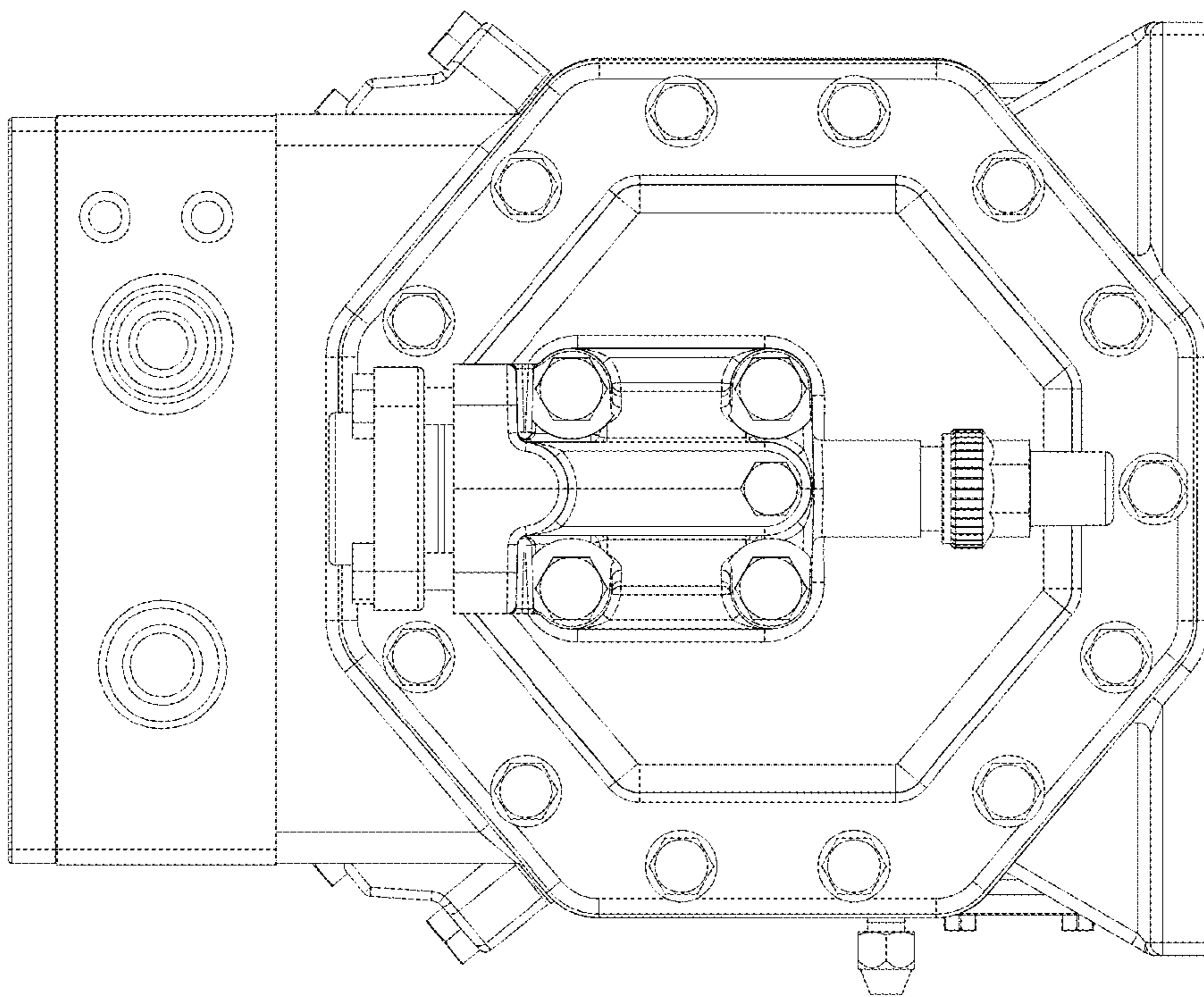


FIG. 4

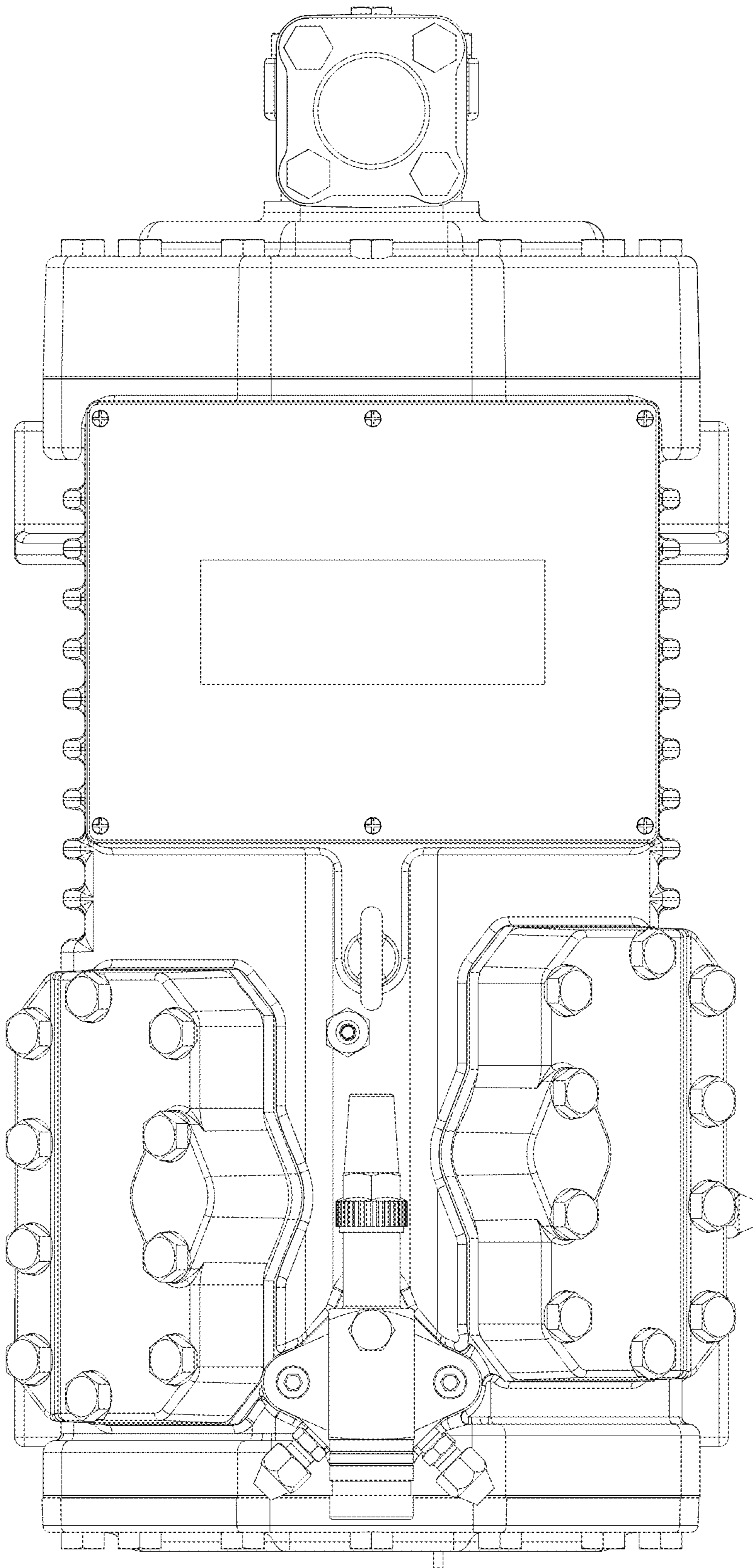
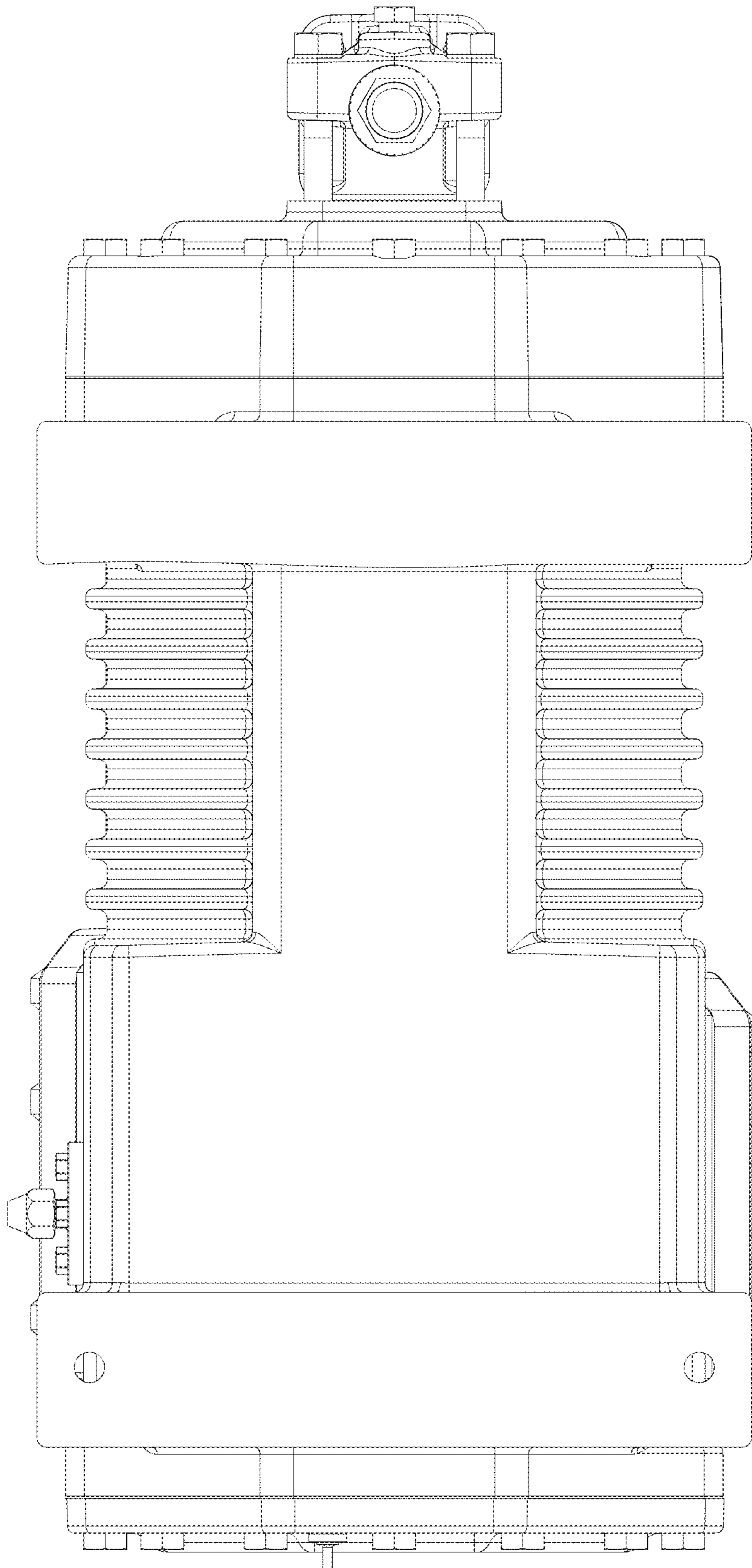


FIG. 5



**FIG. 6**

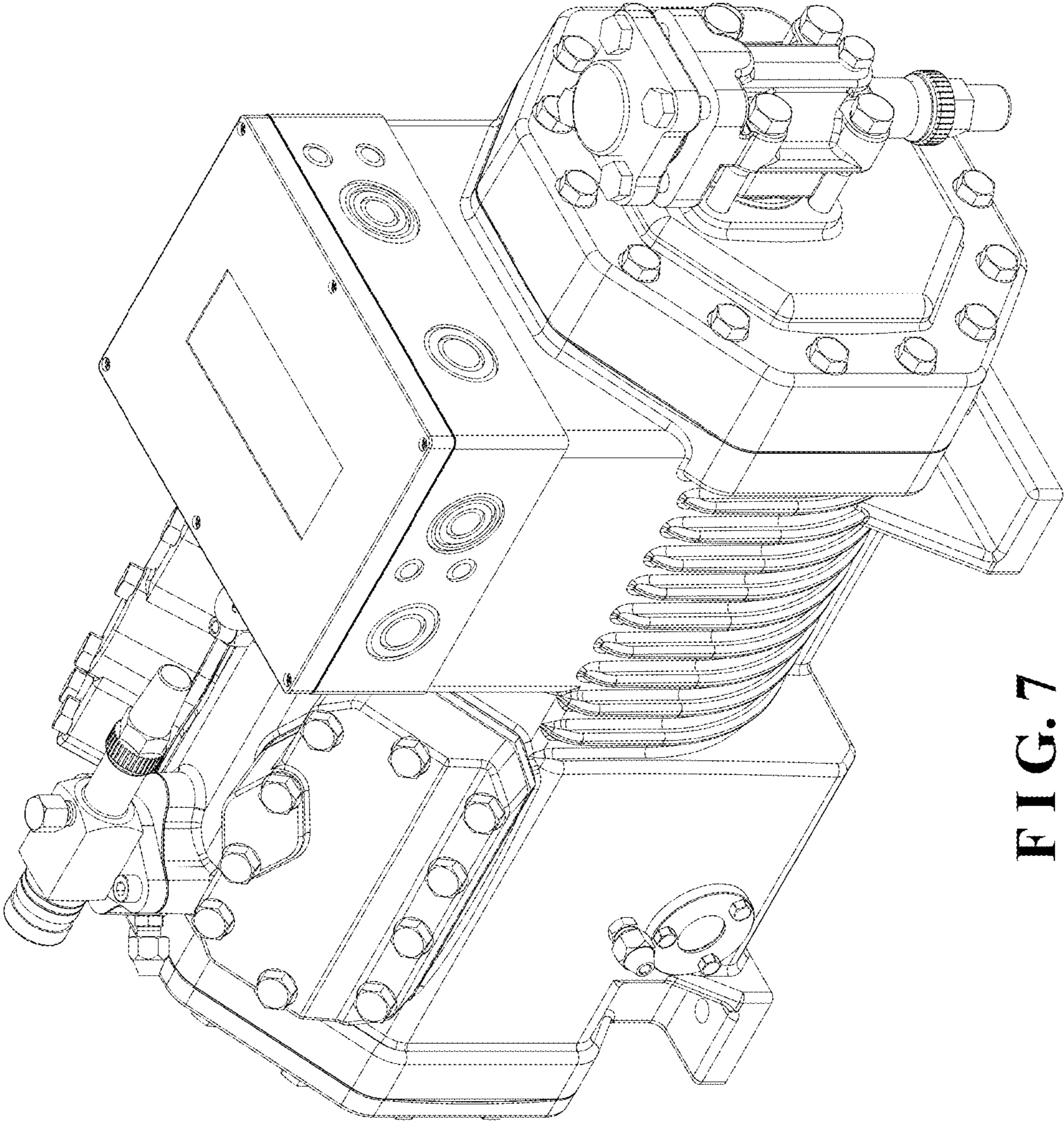


FIG. 7



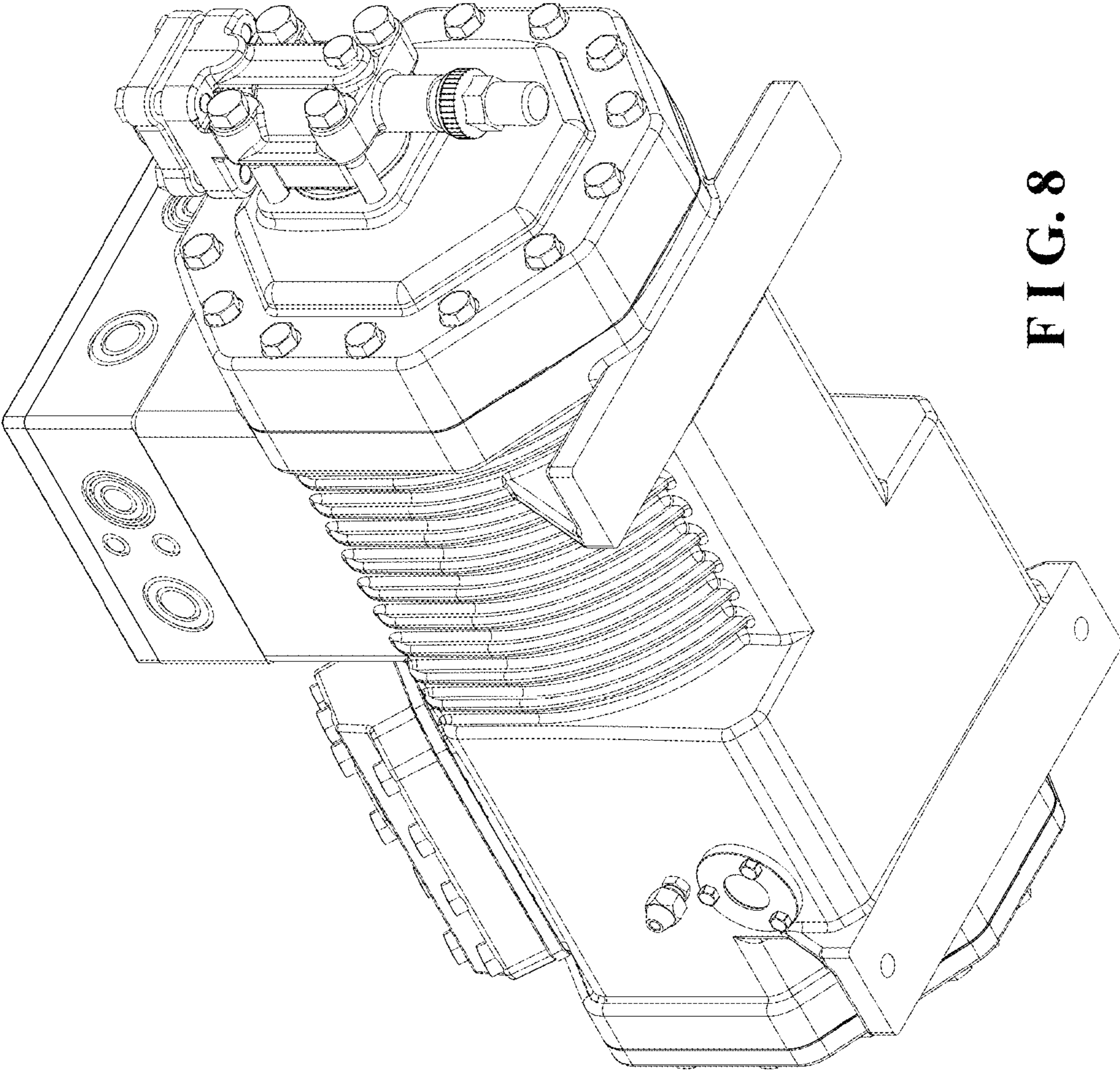


FIG. 8

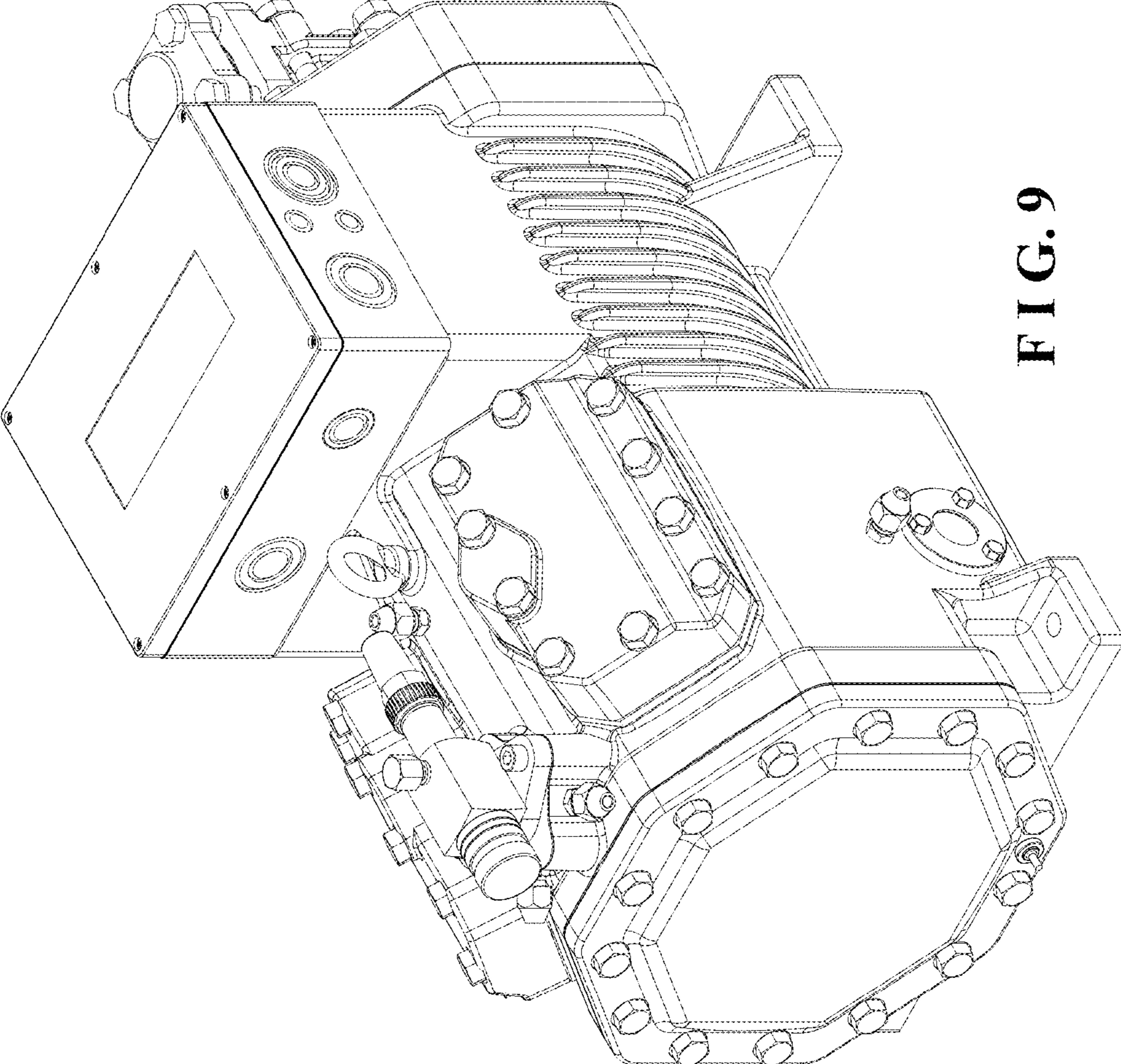
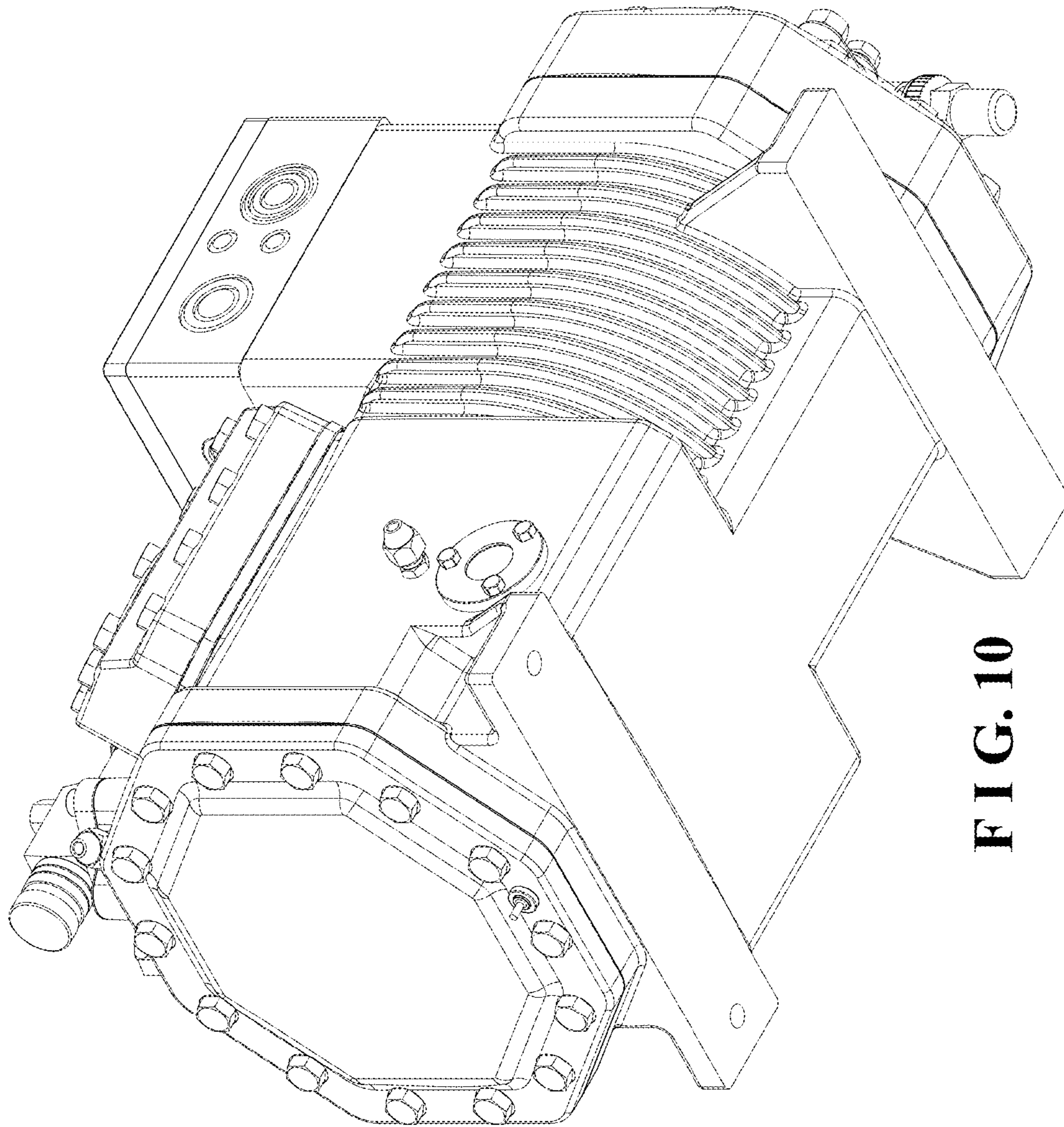


FIG. 9



**FIG. 10**