



US00D770536S

(12) **United States Design Patent** (10) **Patent No.:** **US D770,536 S**  
**Porojan et al.** (45) **Date of Patent:** **\*\* Nov. 1, 2016**

(54) **VALVE COVER**

OTHER PUBLICATIONS

(71) Applicant: **Caterpillar Inc.**, Peoria, IL (US)

Caterpillar production drawing 341-6804 of COVER GP-Mech-B dated Jan. 22, 2009.

(72) Inventors: **Adrian Porojan**, Peoria, IL (US);  
**Terril J. Johnson**, Washington, IL (US); **Andrew D. Schick**, Morton, IL (US); **Pravin B. Sondkar**, Peoria, IL (US); **Siva Naga Prasad Nalam Satyavara**, Dunlap, IL (US)

\* cited by examiner

*Primary Examiner* — T. Chase Nelson

*Assistant Examiner* — Ania Aman

(73) Assignee: **Caterpillar Inc.**, Peoria, IL (US)

(74) *Attorney, Agent, or Firm* — Finnegan, Henderson, Farabow, Garrett & Dunner, LLP

(\*\*) Term: **15 Years**

(21) Appl. No.: **29/527,109**

(57) **CLAIM**

We claim, the ornamental design for a valve cover, as shown and described.

(22) Filed: **May 15, 2015**

**Related U.S. Application Data**

**DESCRIPTION**

(62) Division of application No. 29/440,906, filed on Dec. 28, 2012, now Pat. No. Des. 732,083.

(51) **LOC (10) Cl.** ..... **15-01**

(52) **U.S. Cl.**  
USPC ..... **D15/5**

(58) **Field of Classification Search**  
USPC ..... D15/1-6; D12/400; 123/635, 195 C, 123/903.38, 573, 198 E, 90.37, 572, 90.27  
See application file for complete search history.

FIG. 1 is a front left perspective view of a valve cover showing our new design;  
FIG. 2 is a right side view thereof;  
FIG. 3 is a left side view thereof;  
FIG. 4 is a front view thereof;  
FIG. 5 is a rear view thereof; and,  
FIG. 6 is a top plan view thereof, the bottom view not being visible during ordinary use is not depicted.

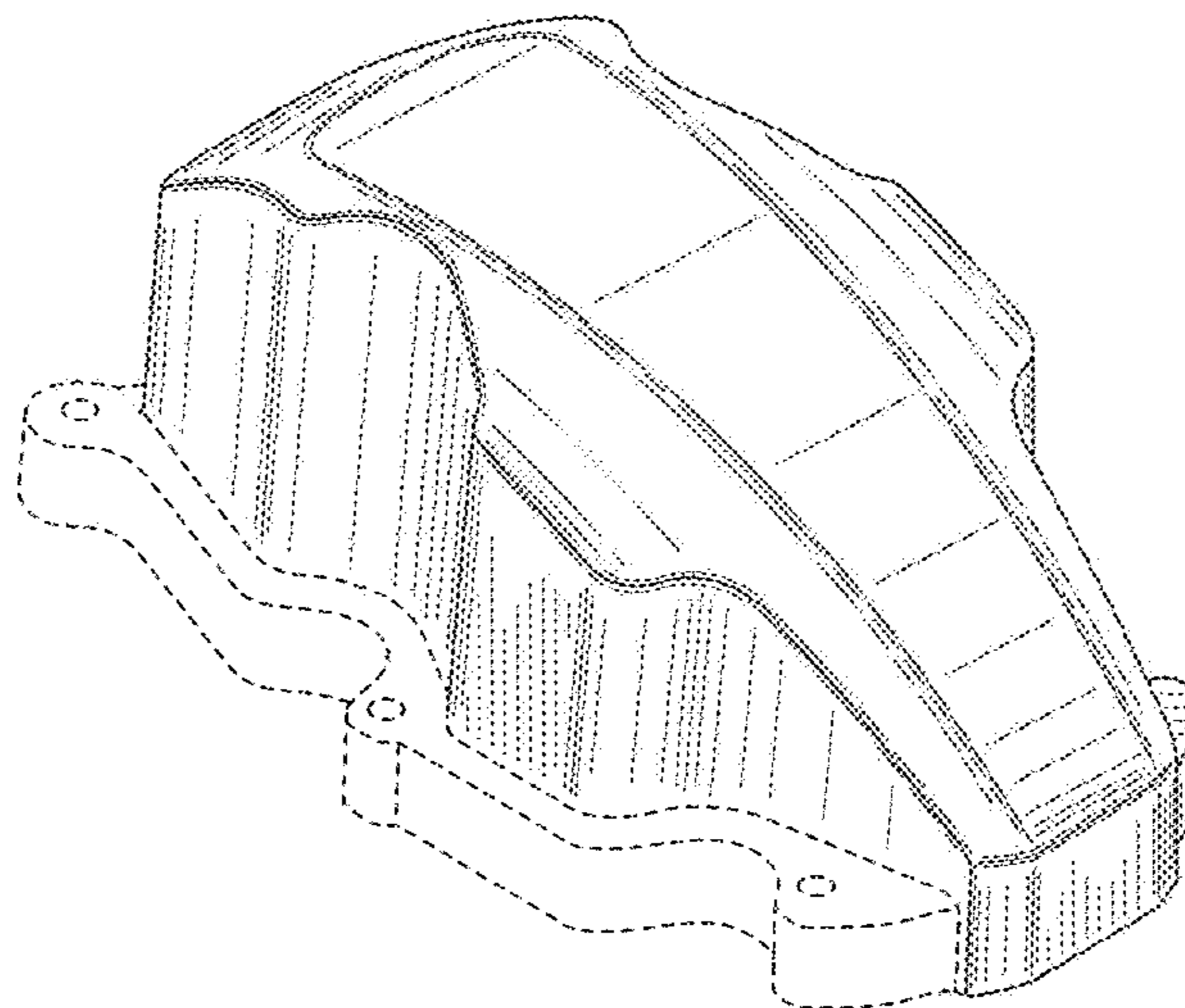
(56) **References Cited**

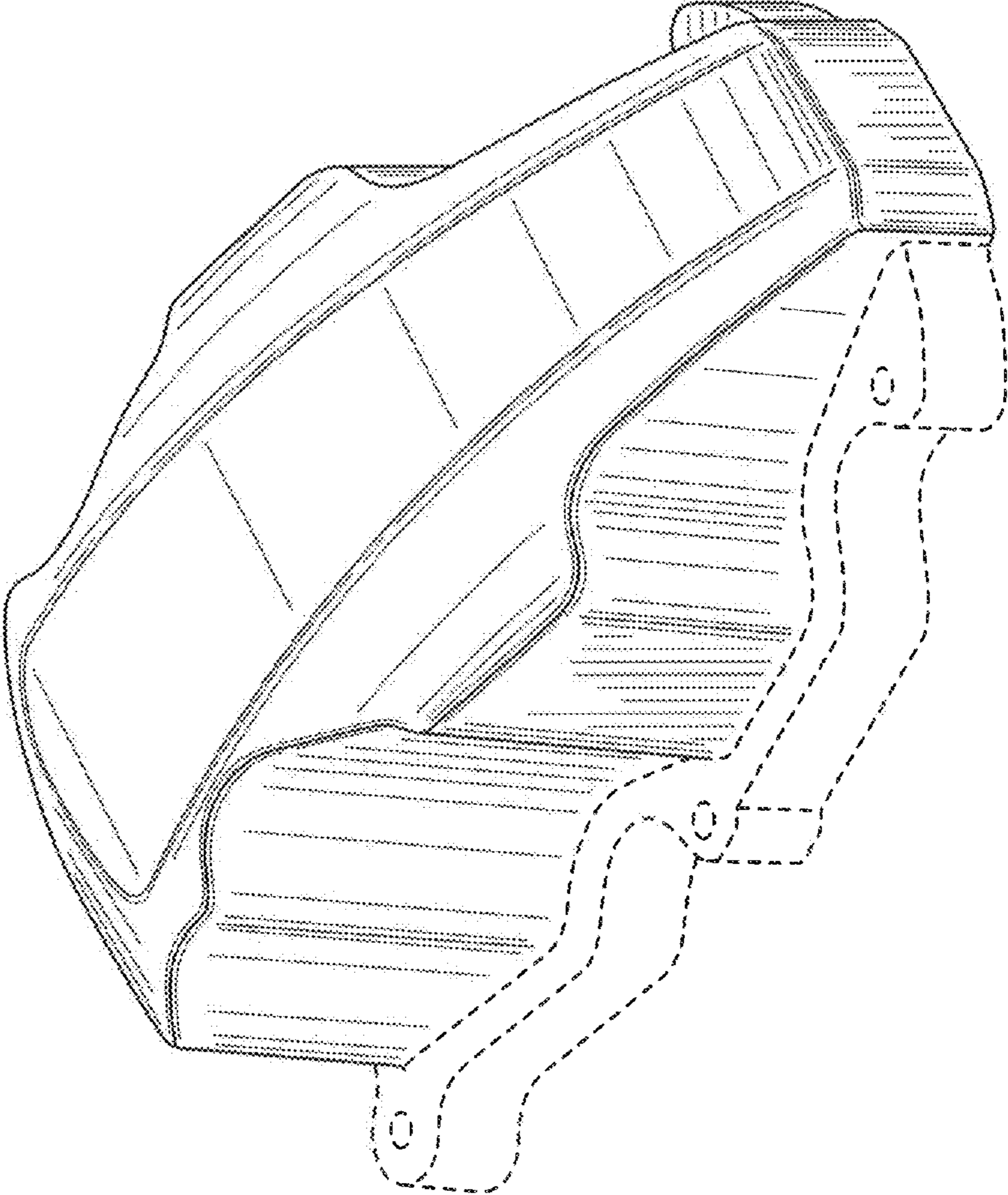
U.S. PATENT DOCUMENTS

D531,641 S \* 11/2006 Schultz ..... D15/5  
D732,082 S \* 6/2015 Porojan ..... D15/5  
2013/0298857 A1 \* 11/2013 Gillette, II ..... G01N 33/0009  
123/90.38  
2014/0290634 A1 \* 10/2014 Slaughter ..... F01M 13/0416  
123/573

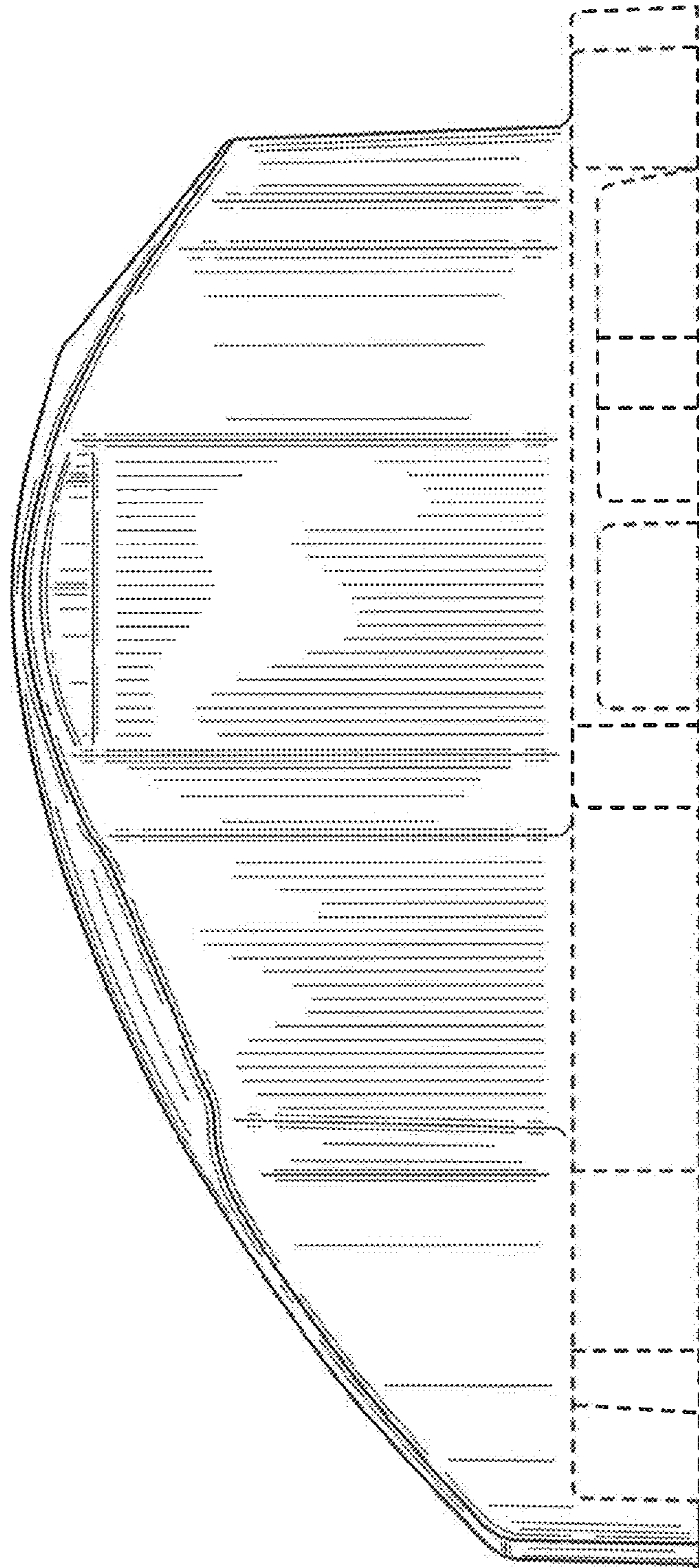
The bottom view of the valve cover forms no part of the claimed design. The broken lines shown in the drawing illustrate portion of the valve cover that form no part of the claimed design.

**1 Claim, 5 Drawing Sheets**

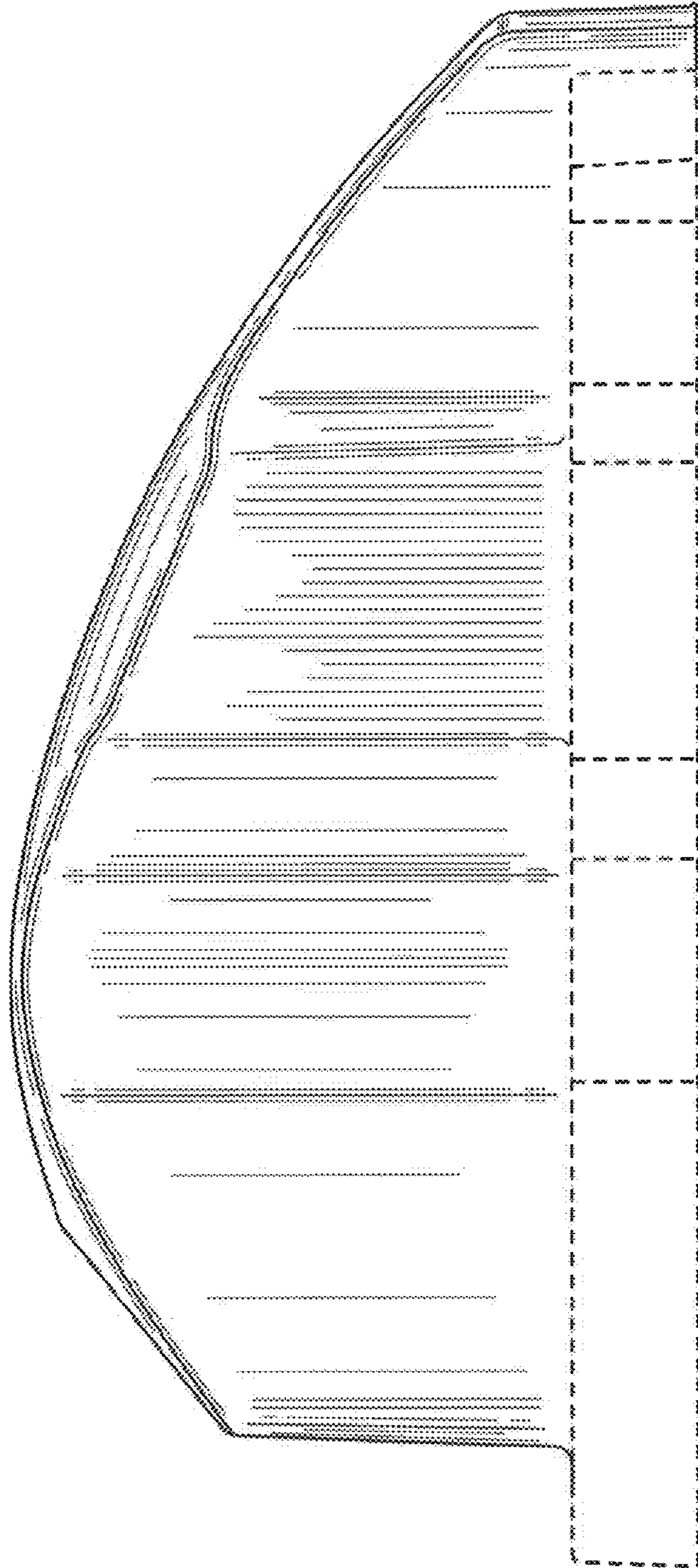




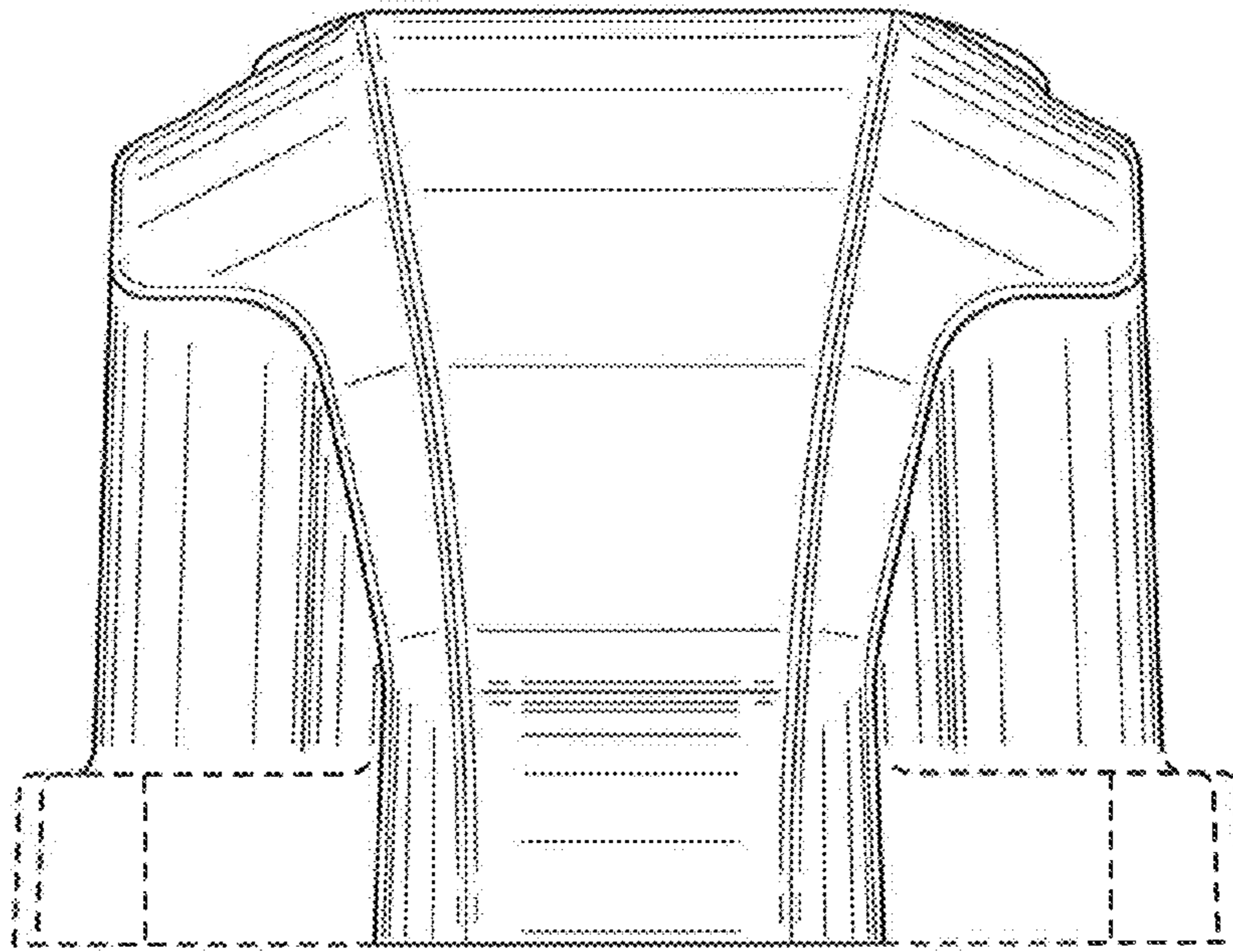
**FIG. 1**



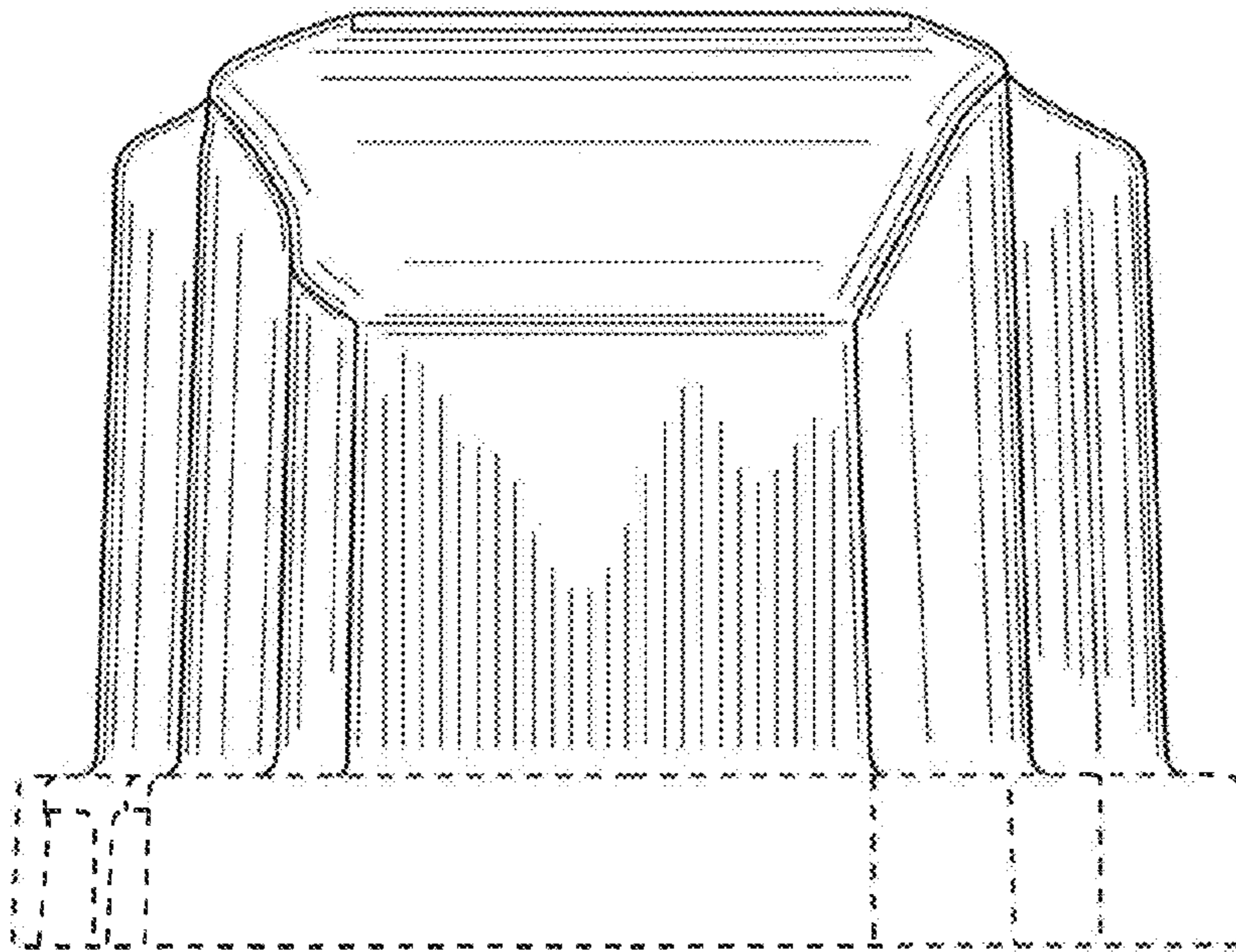
**FIG. 2**



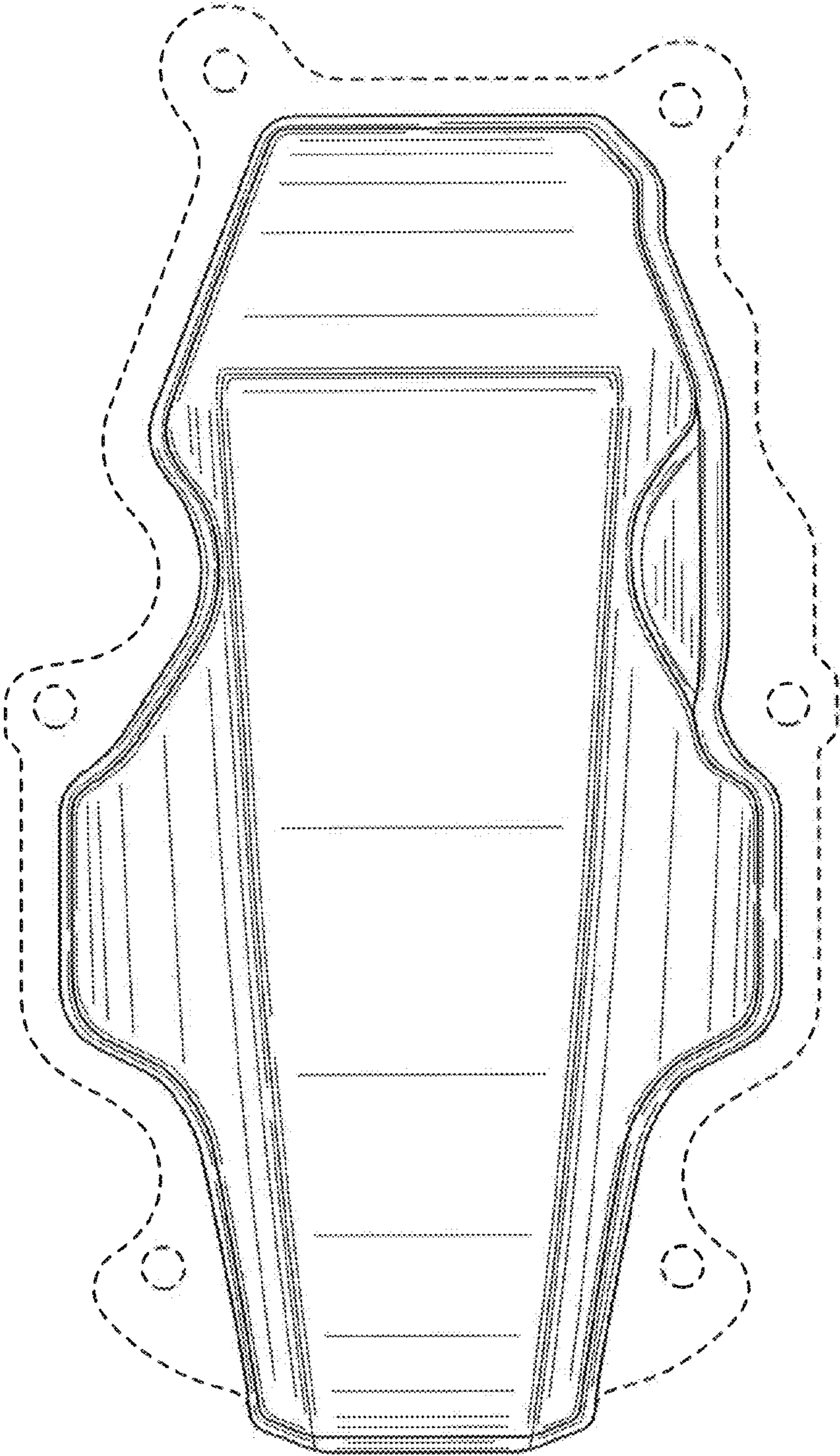
**FIG. 3**



**FIG. 4**



**FIG. 5**



**FIG. 6**