



US00D770535S

(12) **United States Design Patent**  
**Carbone et al.**

(10) **Patent No.:** **US D770,535 S**

(45) **Date of Patent:** **\*\* Nov. 1, 2016**

(54) **INTEGRATED AIR INTAKE MANIFOLD**

(71) Applicant: **Managed Programs, LLC**, Auburn Hills, MI (US)

(72) Inventors: **Donald Carbone**, Rochester Hills, MI (US); **Timothy Collins**, Oxford, MI (US)

(73) Assignee: **MANAGED PROGRAMS, LLC**, Auburn Hills, MI (US)

(\*\*) Term: **14 Years**

(21) Appl. No.: **29/498,239**

(22) Filed: **Aug. 1, 2014**

(51) **LOC (10) Cl.** ..... **15-01**

(52) **U.S. Cl.**  
USPC ..... **D15/5**

(58) **Field of Classification Search**  
USPC ..... D15/1-5, 6; D12/194, 400; 123/184.21, 123/198 E, 184.29, 184.46  
See application file for complete search history.

(56) **References Cited**

**U.S. PATENT DOCUMENTS**

6,182,628	B1 *	2/2001	Kochs	.....	F02M 35/10032	123/184.21
6,355,077	B1 *	3/2002	Chittenden	.....	B01D 46/0002	123/198 E
6,422,221	B2 *	7/2002	Pietrowski	.....	123/184.61	
7,032,556	B2 *	4/2006	Nakamura	.....	F02M 35/10111	123/184.24
7,089,921	B2 *	8/2006	Matsuoka	.....	F02B 27/02	123/184.24
D529,923	S *	10/2006	Liao	.....	D15/5	
7,198,040	B2 *	4/2007	Noda	.....	F02M 25/06	123/568.15
7,305,958	B2 *	12/2007	Doko	.....	F02M 35/10039	123/184.21
8,464,698	B2 *	6/2013	Durkin	.....	F01M 13/022	123/184.21
8,607,756	B1 *	12/2013	Kulkarni	.....	F02M 35/1045	123/184.21
2001/0025632	A1 *	10/2001	Pietrowski	.....	F02B 75/22	123/568.17
2004/0040527	A1 *	3/2004	Murphy	.....	F02D 9/08	123/184.21

2005/0103315	A1 *	5/2005	Kim	.....	F02M 25/06	123/572
2005/0263143	A1 *	12/2005	Matsuoka	.....	F02B 27/02	123/572
2007/0017490	A1 *	1/2007	Sasaki	.....	F02M 25/06	123/568.17
2009/0241886	A1 *	10/2009	Kameda	.....	F02M 35/10144	123/184.21
2010/0288247	A1 *	11/2010	Tanikawa	.....	F02M 35/10039	123/568.11
2011/0277716	A1 *	11/2011	Groleau	.....	F02M 35/10032	123/184.24
2012/0325186	A1 *	12/2012	Enami	.....	F02M 35/10222	123/568.17
2013/0220289	A1 *	8/2013	Maceroni	.....	F02M 35/10255	123/568.12
2014/0216387	A1 *	8/2014	Kulkarni	.....	F02M 35/1045	123/184.47

\* cited by examiner

*Primary Examiner* — T. Chase Nelson

*Assistant Examiner* — Ania Aman

(74) *Attorney, Agent, or Firm* — Jennifer Meredith, Esq.; Meredith & Keyhani, PLLC

(57) **CLAIM**

We claim the ornamental design for the integrated air intake manifold, as shown and described.

**DESCRIPTION**

FIG. 1 is a top view of the integrated air intake manifold with portions in dotted lines forming no portion of the claimed design;

FIG. 2 is a bottom view of the integrated air intake manifold with portions in dotted lines forming no portion of the claimed design;

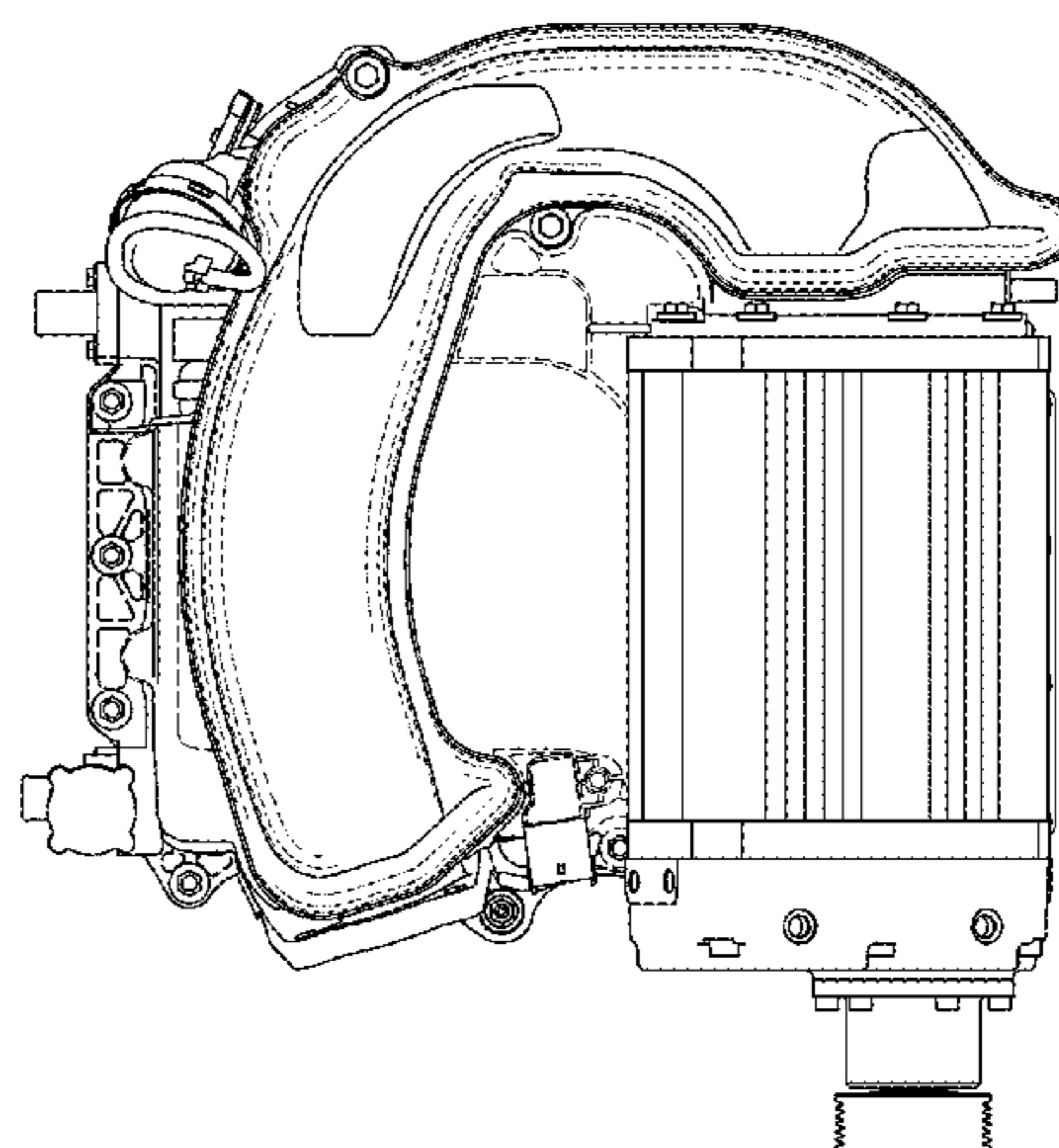
FIG. 3 is a left side view of the integrated air intake manifold with portions in dotted lines forming no portion of the claimed design;

FIG. 4 is a right side view of the integrated air intake manifold with portions in dotted lines forming no portion of the claimed design;

FIG. 5 is a front view of the integrated air intake manifold with portions in dotted lines forming no portion of the claimed design; and,

FIG. 6 is a back view of the integrated air intake manifold with portions in dotted lines forming no portion of the claimed design.

**1 Claim, 5 Drawing Sheets**



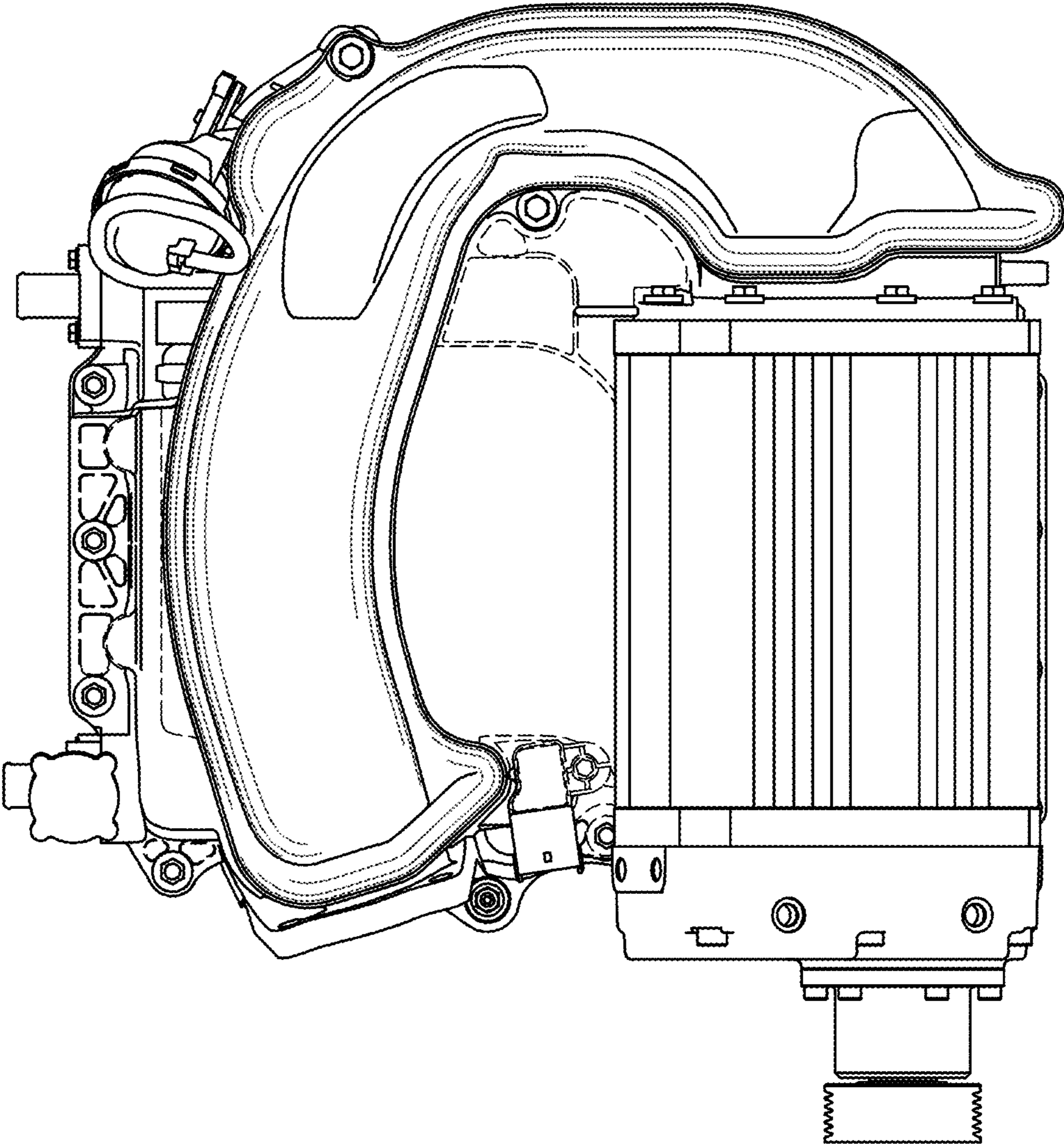


Fig. 1

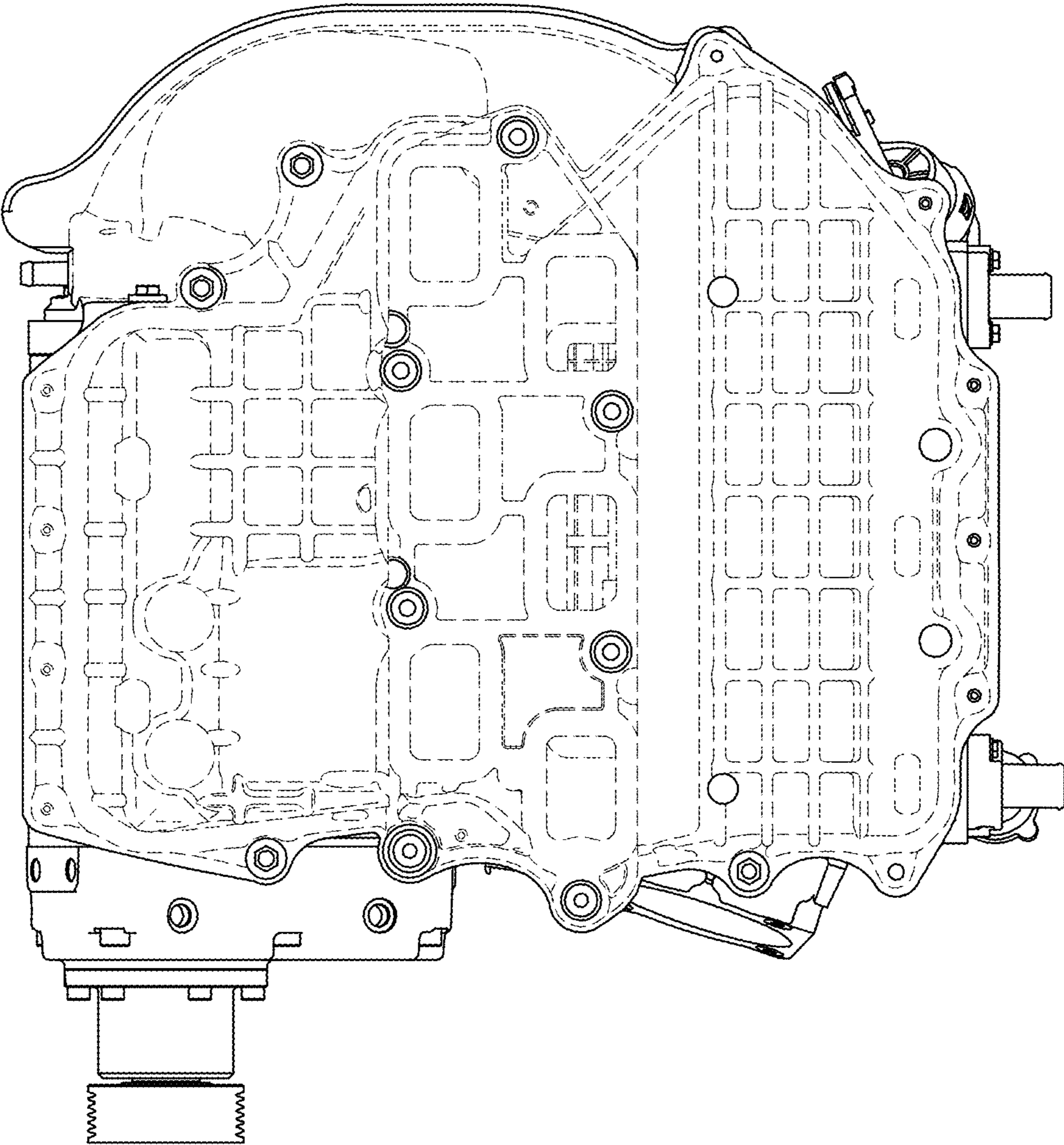


Fig. 2

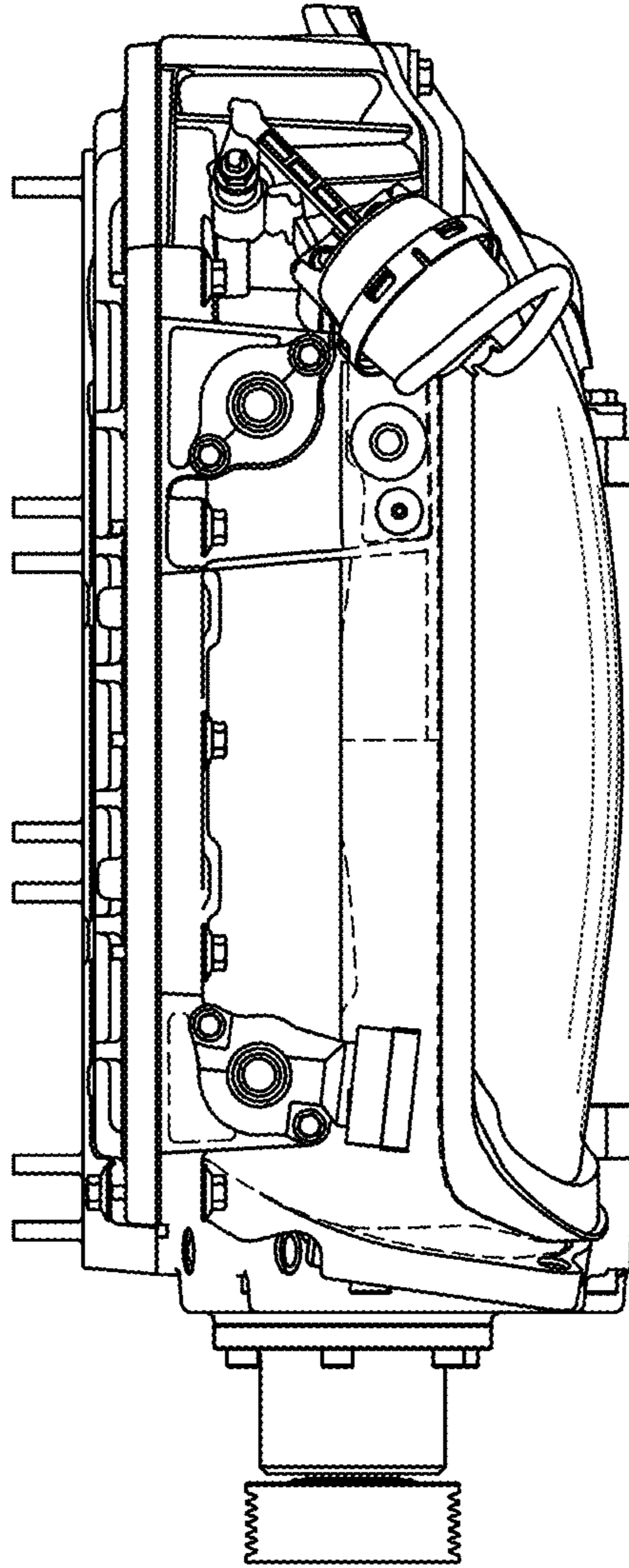


Fig. 3

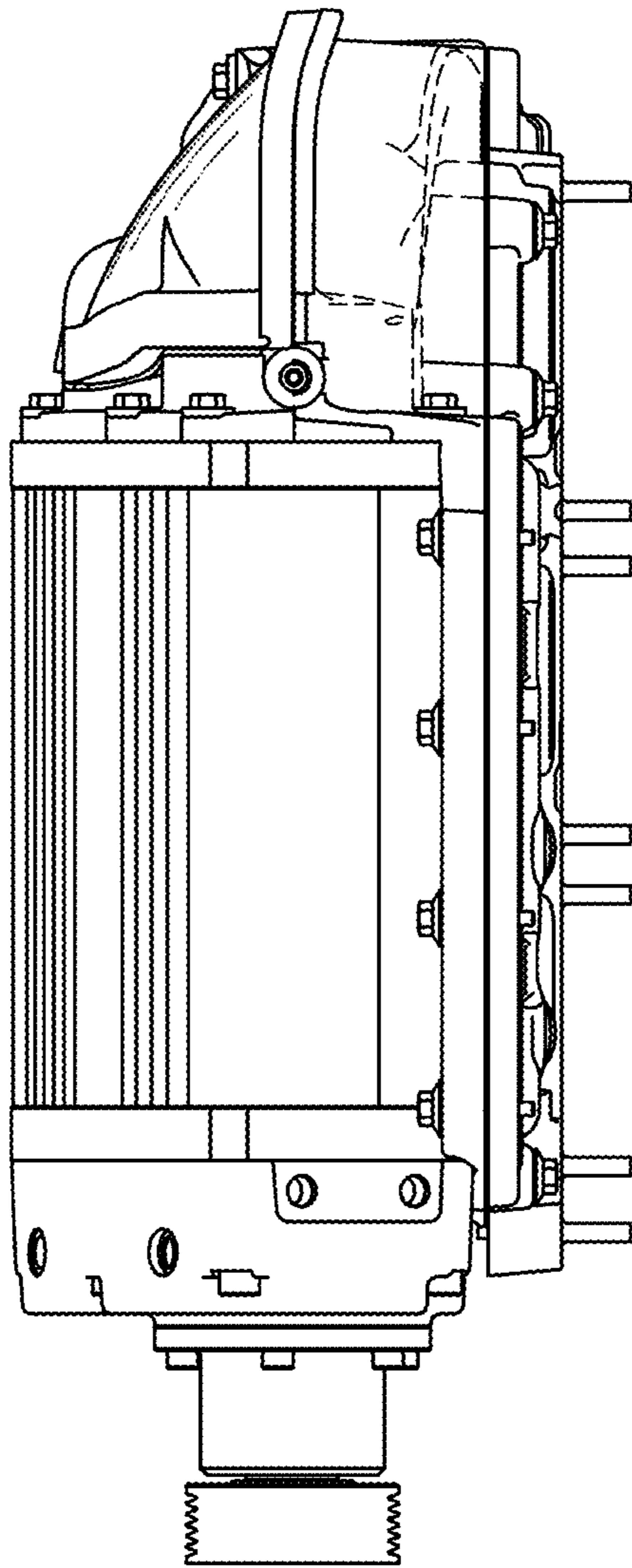


Fig. 4

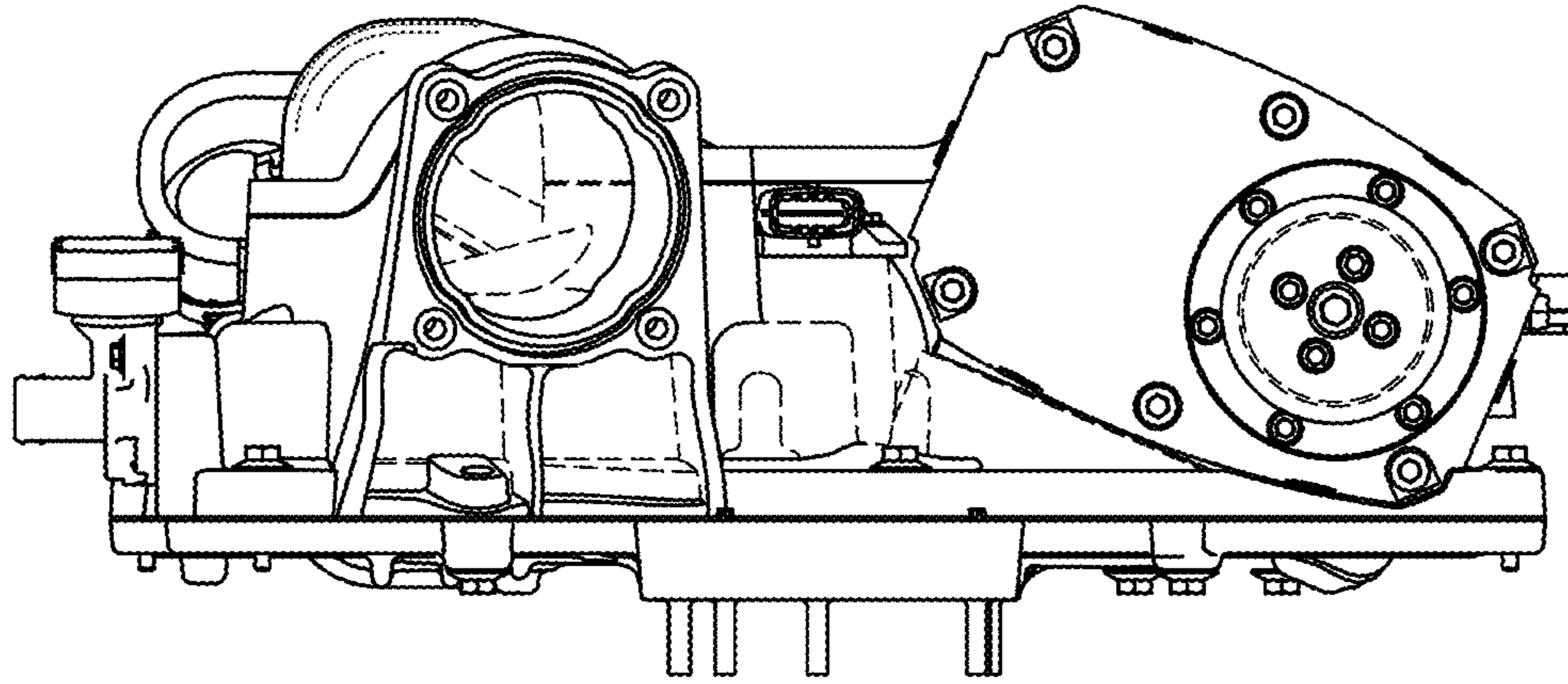


Fig. 5

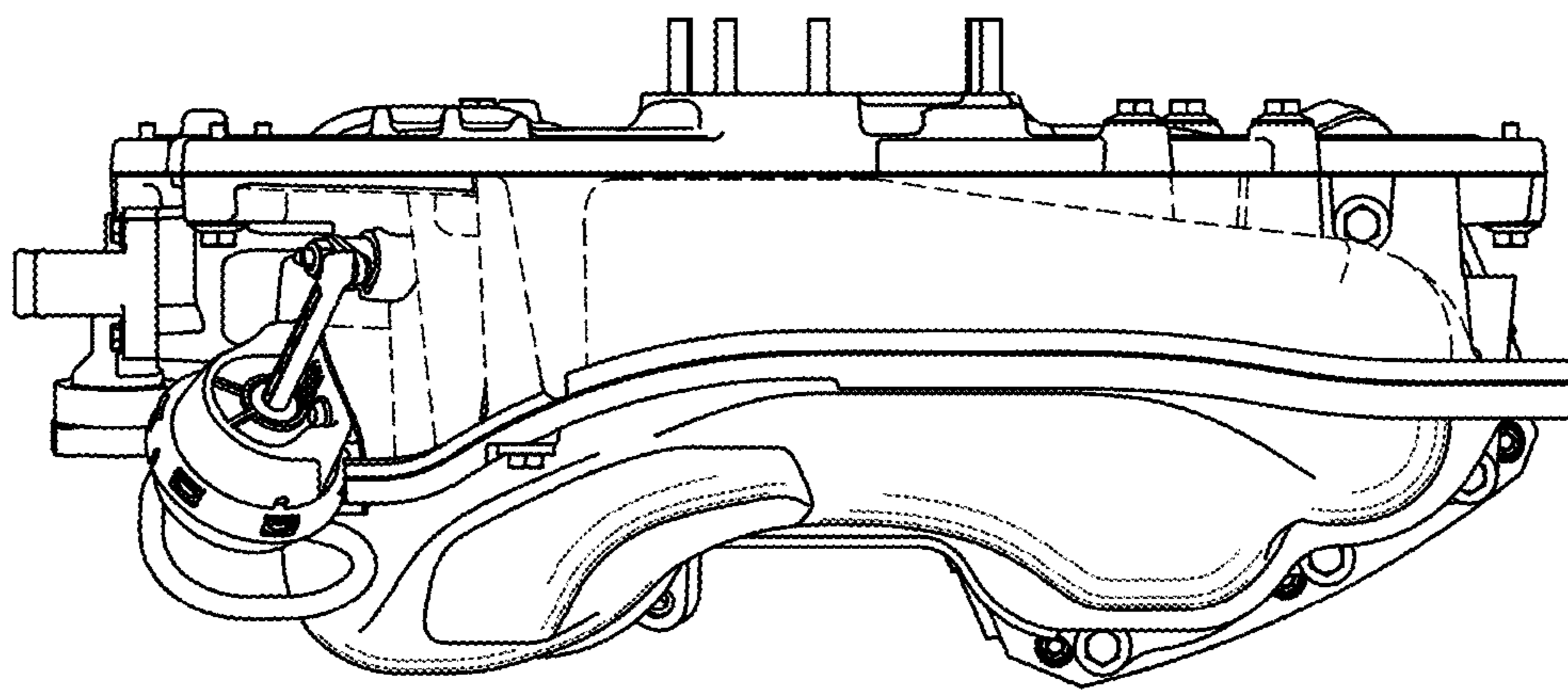


Fig. 6