



US00D770522S

(12) **United States Design Patent**
Crone et al.

(10) **Patent No.:** **US D770,522 S**
(45) **Date of Patent:** **** Nov. 1, 2016**

(54) **DISPLAY SCREEN OR PORTION THEREOF WITH GRAPHICAL USER INTERFACE**

(71) Applicant: **Fisher & Paykel Healthcare Limited**,
Auckland (NZ)

(72) Inventors: **Christopher Malcolm Crone**,
Auckland (NZ); **Christopher Simon**
James Quill, Auckland (NZ); **Jack**
Che-Wei Hsu, Manukau (NZ)

(73) Assignee: **Fisher & Paykel Healthcare Limited**,
Auckland (NZ)

(**) Term: **14 Years**

(21) Appl. No.: **29/459,895**

(22) Filed: **Jul. 3, 2013**

(51) **LOC (10) Cl.** **14-04**

(52) **U.S. Cl.**
USPC **D14/489**

(58) **Field of Classification Search**
USPC D14/485-495; 715/763, 810, 836, 837,
715/846, 847, 977
CPC A61H 31/02; A61H 2205/083; G06F 3/048;
G06F 3/0481; G06F 3/04812; G06F 3/04817;
G06F 3/0482; G06F 3/0483; G06F 3/0484;
G06F 3/04855

See application file for complete search history.

(56) **References Cited**

U.S. PATENT DOCUMENTS

D414,554 S *	9/1999	Salmon	D24/107
D432,100 S *	10/2000	Zink	D14/490
D523,868 S *	6/2006	Kuroda	D14/485
7,244,225 B2 *	7/2007	Loeb	A61H 9/0078 600/17
D549,721 S *	8/2007	Ito	D14/488
D549,722 S *	8/2007	Ito	D14/488
D552,121 S *	10/2007	Carl	D14/488
D552,122 S *	10/2007	Carl	D14/488
D563,977 S *	3/2008	Carl	D14/488
D585,903 S *	2/2009	Yamaoka	D14/485

D590,778 S *	4/2009	Drews	D13/162
D591,246 S *	4/2009	Drews	D13/162
D591,692 S *	5/2009	Drews	D13/162
D592,153 S *	5/2009	Engel	D13/162
D592,154 S *	5/2009	Drews	D13/162
D592,155 S *	5/2009	Drews	D13/162
D592,156 S *	5/2009	Drews	D13/162
D602,944 S *	10/2009	Barkhouse	D14/488
D623,194 S *	9/2010	Cook	D14/488
D626,560 S *	11/2010	Fitzmaurice	D14/488
D626,561 S *	11/2010	Batchelder	D14/488

(Continued)

OTHER PUBLICATIONS

“Idea: Design Award Winners, 2008.” Bloomberg Business. 2008.
Accessed Jan. 19, 2016. Available online at URL: <http://www.bloomberg.com/ss/08/07/0717_idea_winners/117.htm>.*

(Continued)

Primary Examiner — Eric Goodman

Assistant Examiner — Christian P McLean

(74) *Attorney, Agent, or Firm* — Knobbe, Martens, Olson
& Bear LLP

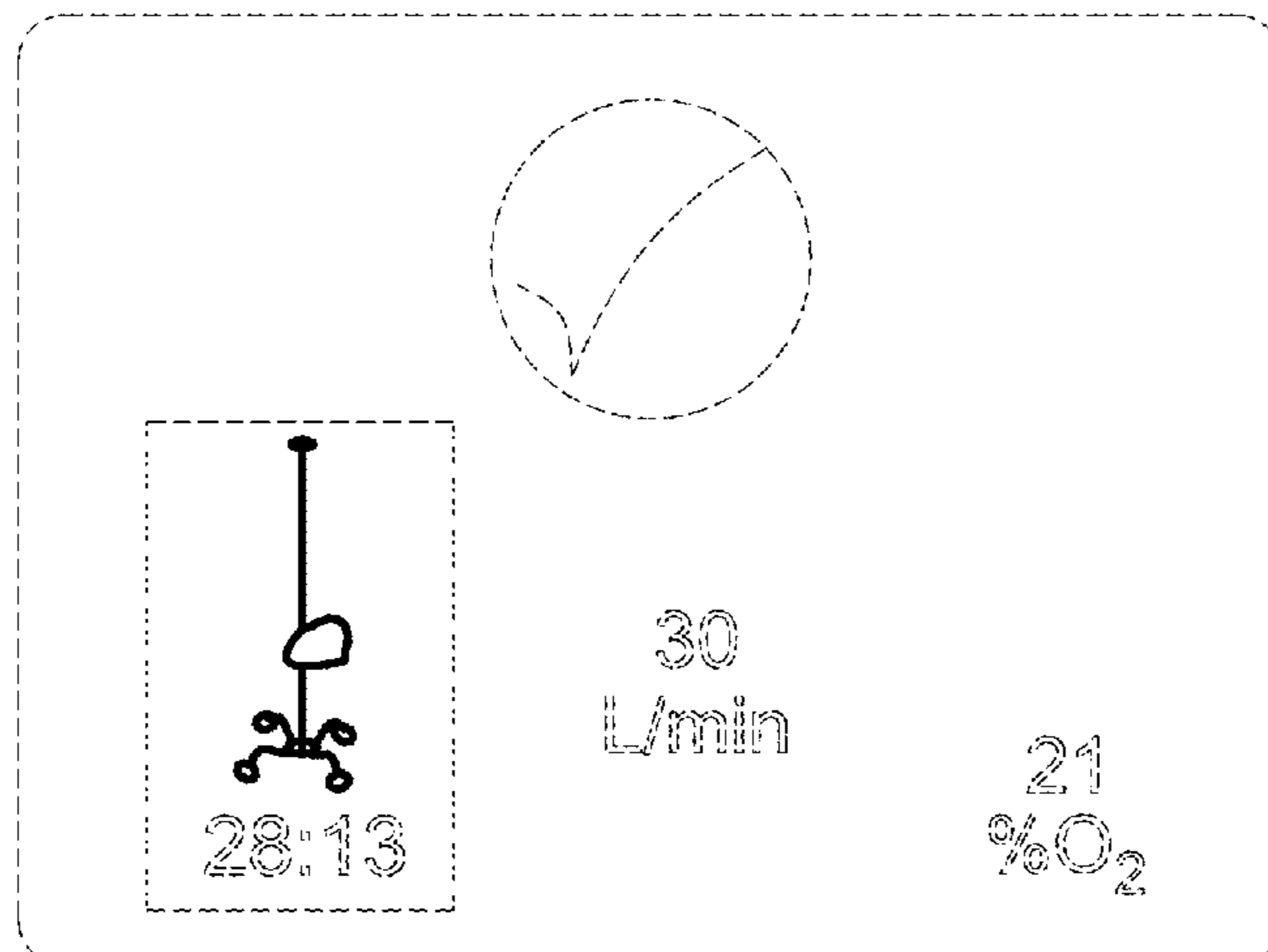
(57) **CLAIM**

The ornamental design for a display screen or portion thereof with graphical user interface, as shown and described.

DESCRIPTION

FIG. 1 is a front view of a display screen or portion thereof with graphical user interface showing our new design; FIG. 2 is a front view of FIG. 1 shown in a different environment; FIG. 3 is an enlarged front view of FIG. 1 shown removed from the environment; and, FIG. 4 is an enlarged view of FIG. 1 shown removed from the environment. The broken lines showing a display screen or portion thereof, text, and other elements form no part of the claimed design.

1 Claim, 3 Drawing Sheets



(56)

References Cited

U.S. PATENT DOCUMENTS

D637,607 S * 5/2011 Batchelder D14/488
 D637,608 S * 5/2011 Batchelder D14/488
 D637,609 S * 5/2011 Batchelder D14/488
 D637,610 S * 5/2011 Batchelder D14/488
 D637,611 S * 5/2011 Batchelder D14/488
 D637,612 S * 5/2011 Batchelder D14/488
 D637,613 S * 5/2011 Batchelder D14/488
 D637,614 S * 5/2011 Batchelder D14/488
 D637,615 S * 5/2011 Batchelder D14/488
 D638,028 S * 5/2011 Cook D14/488
 D647,102 S * 10/2011 Tokunaga D14/485
 D649,557 S * 11/2011 Duchene D14/488
 D657,368 S * 4/2012 Magee D14/486
 D667,837 S * 9/2012 Magee D14/486
 D667,838 S * 9/2012 Magee D14/486
 D678,302 S * 3/2013 Trumble D14/486
 8,460,223 B2 * 6/2013 Huster A61H 23/00
 601/149
 D686,240 S * 7/2013 Lin D14/488
 D687,445 S * 8/2013 Fuhrmann D14/485

D687,838 S * 8/2013 Poeppel D14/485
 D688,679 S * 8/2013 Osborne D14/486
 D711,419 S * 8/2014 Folken D14/487
 D711,904 S * 8/2014 Sundy D14/486
 D711,905 S * 8/2014 Morrison D14/486
 D717,811 S * 11/2014 Alldredge D14/485
 D737,284 S * 8/2015 Folken D14/485
 D737,285 S * 8/2015 Folken D14/485
 D737,286 S * 8/2015 Folken D14/485
 D737,287 S * 8/2015 Folken D14/485
 2009/0150807 A1 * 6/2009 George G06F 3/0482
 715/763

OTHER PUBLICATIONS

“3d render of saline stands.” dreamstime.com. Date not available.
 Accessed Jan. 19, 2016. Available online at URL: <<http://www.dreamstime.com/illustration/saline.html#details40047035>>.*
 “Stainless Steel IV Poles: C-IV-1001D.” Centicare Corporation.
 Date not available. Accessed Jan. 19, 2016. Available online at
 URL: <http://www.centricare.com/iv_1001D.html>.*

* cited by examiner

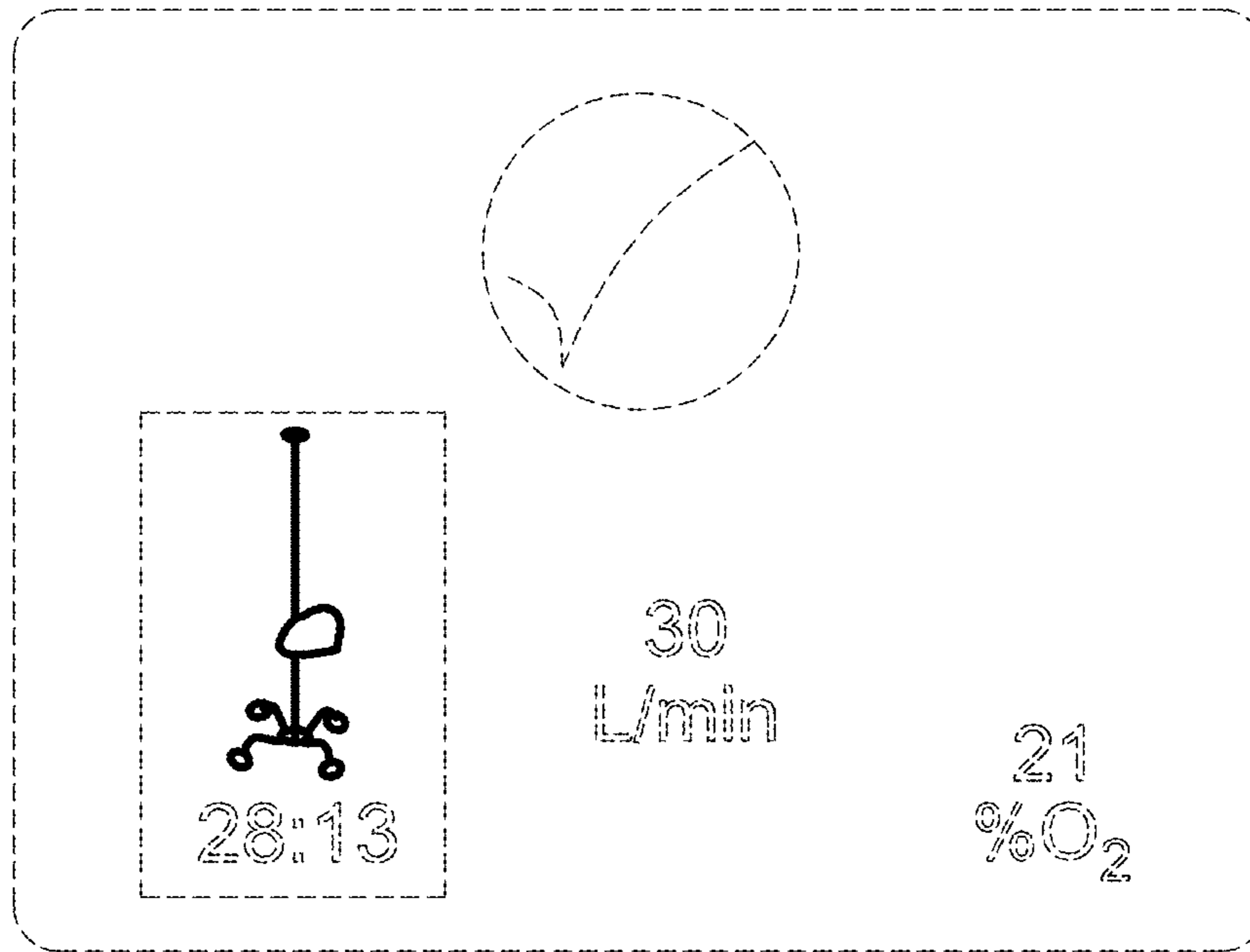


FIG. 1

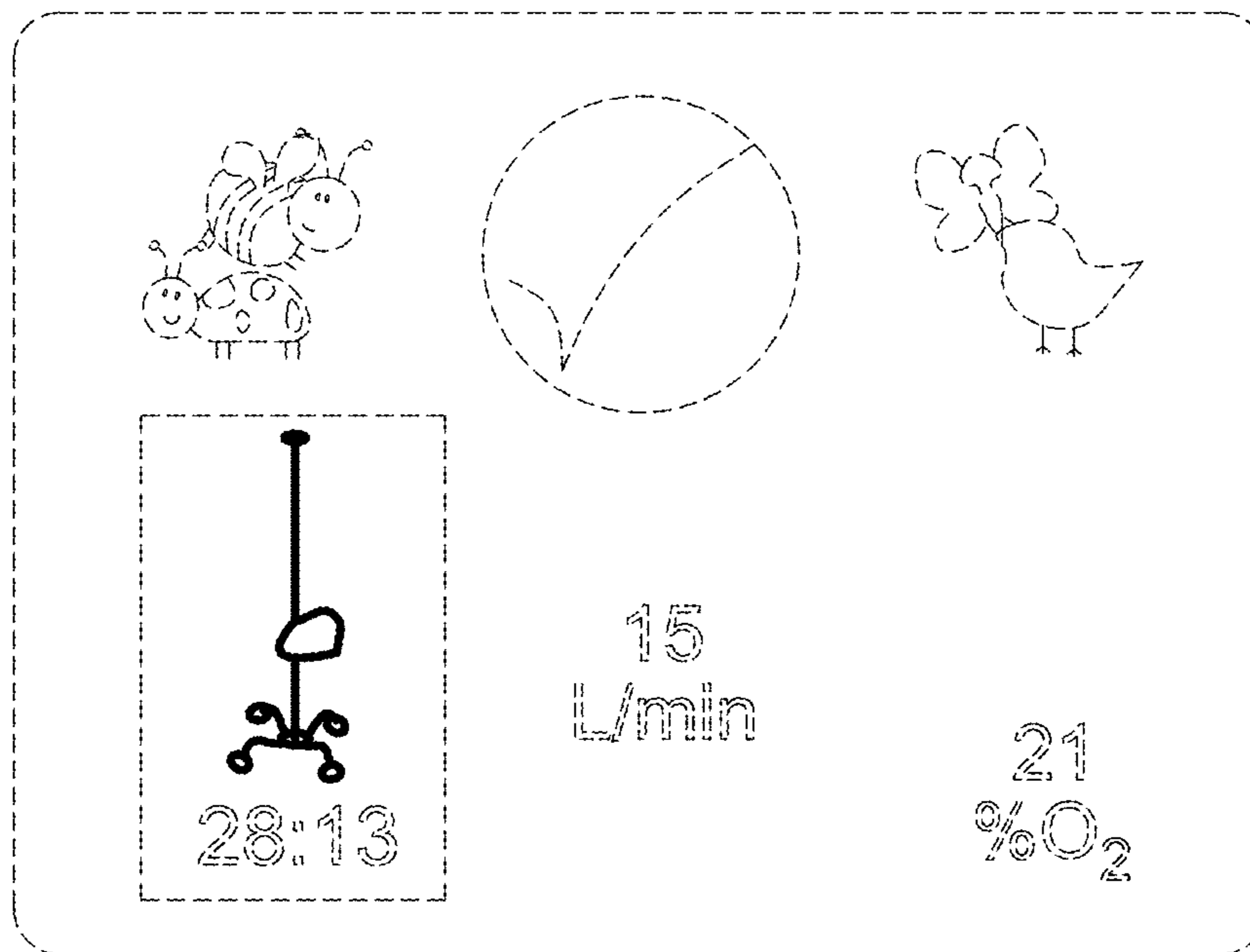


FIG. 2

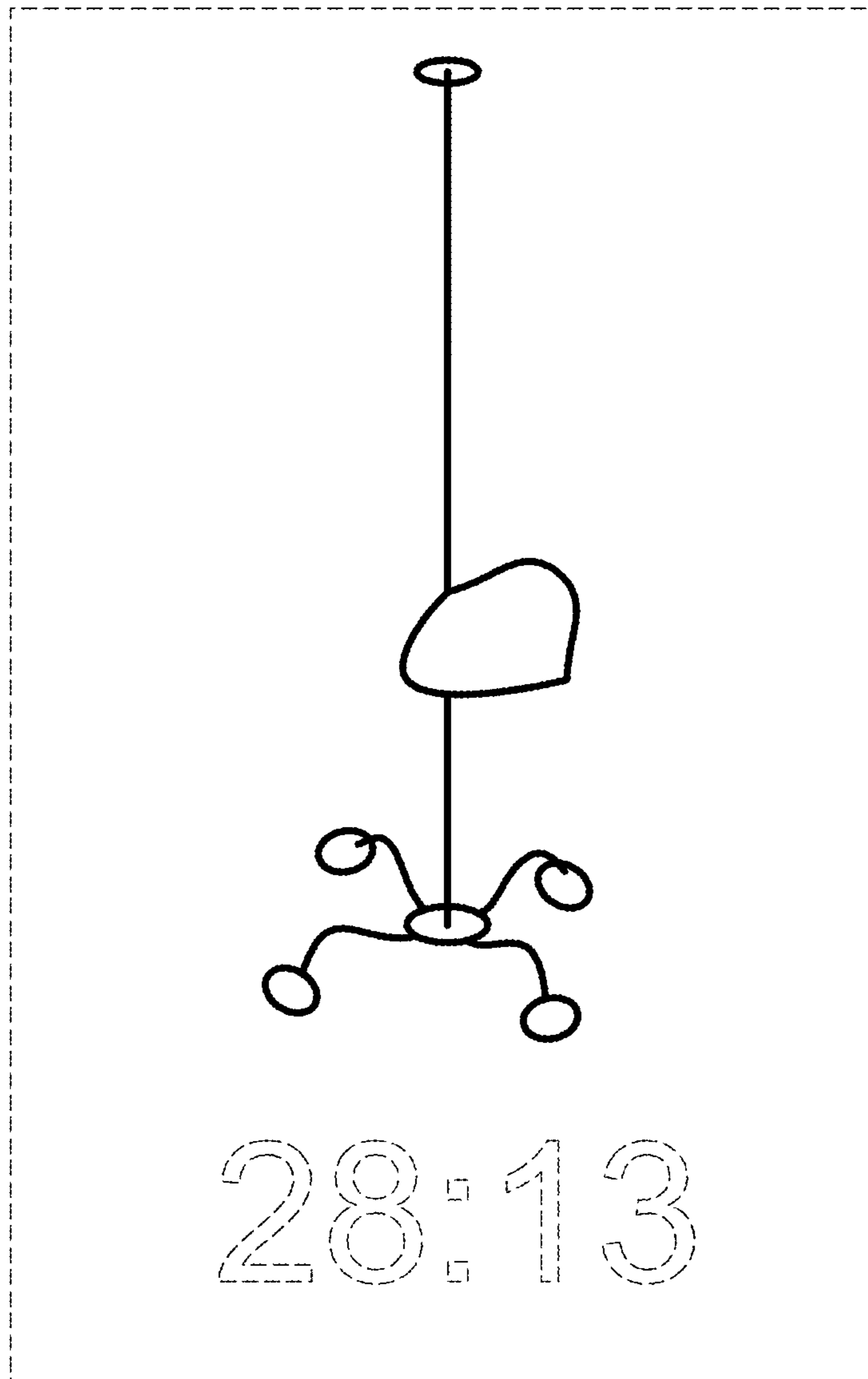


FIG. 3

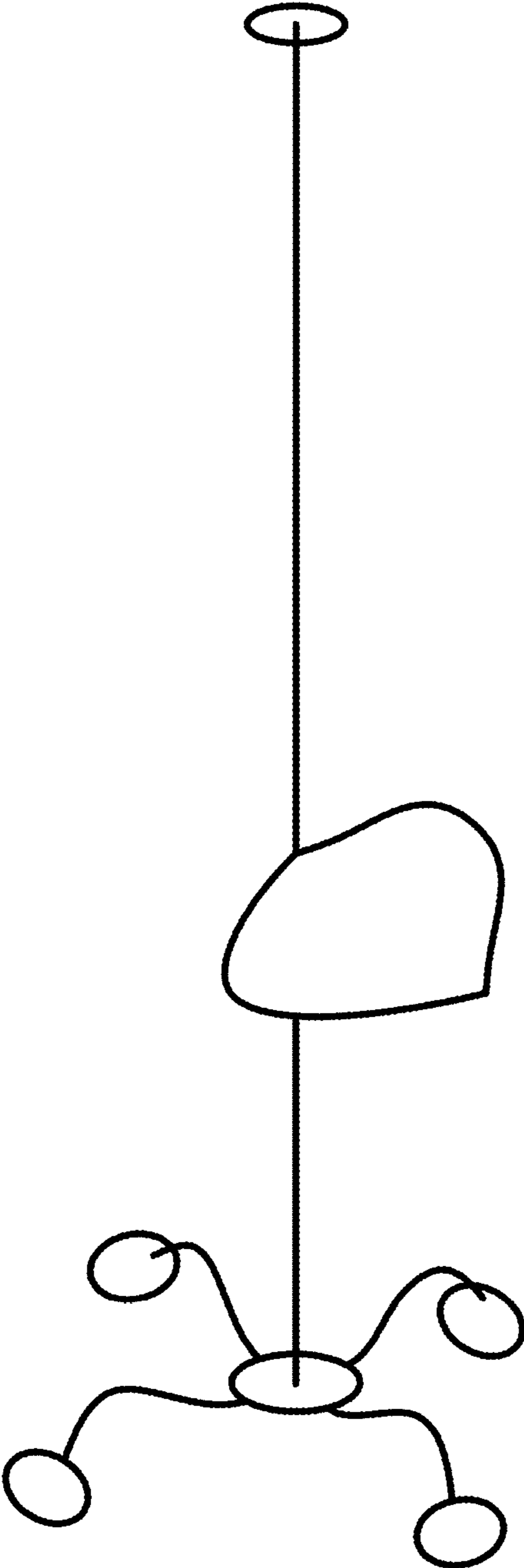


FIG. 4