



US00D770520S

(12) **United States Design Patent** (10) **Patent No.:** **US D770,520 S**
Rodriguez (45) **Date of Patent:** **** *Nov. 1, 2016**

(54) **DISPLAY SCREEN WITH ANIMATED GRAPHICAL USER INTERFACE**

D701,518 S * 3/2014 Thornton D14/486
D706,821 S * 6/2014 Park D14/489
D730,387 S * 5/2015 Park D14/488

(71) Applicant: **Microsoft Corporation**, Redmond, WA (US)

(Continued)

(72) Inventor: **Jose Alberto Rodriguez**, Seattle, WA (US)

OTHER PUBLICATIONS

Mar. 4, 2016—(US) Notice of Allowance—U.S. Appl. No. 29/515,126, filed Jan. 20, 2015; Inventor: Jose Alberto Rodriguez.

(73) Assignee: **Microsoft Corporation**, Redmond, WA (US)

(Continued)

(*) Notice: This patent is subject to a terminal disclaimer.

Primary Examiner — Cathron Brooks

Assistant Examiner — Andrew Nemeth

(74) *Attorney, Agent, or Firm* — Banner & Witcoff, Ltd.

(**) Term: **14 Years**

(57) **CLAIM**

The ornamental design for a display screen with animated graphical user interface, as shown and described.

(21) Appl. No.: **29/515,141**

DESCRIPTION

(22) Filed: **Jan. 20, 2015**

(51) **LOC (10) Cl.** **14-04**

(52) **U.S. Cl.**
USPC **D14/488**

(58) **Field of Classification Search**
USPC D14/485–495
CPC . G06F 3/0482; G06F 3/0481; G06F 3/04883
See application file for complete search history.

FIG. 1 is the first image in a sequence for a display screen with animated graphical user interface showing my new design;

FIG. 2 is the second image thereof;

FIG. 3 is the third image thereof;

FIG. 4 is the fourth image thereof;

FIG. 5 is the fifth image thereof;

FIG. 6 is the sixth image thereof; and,

FIG. 7 is the seventh image thereof.

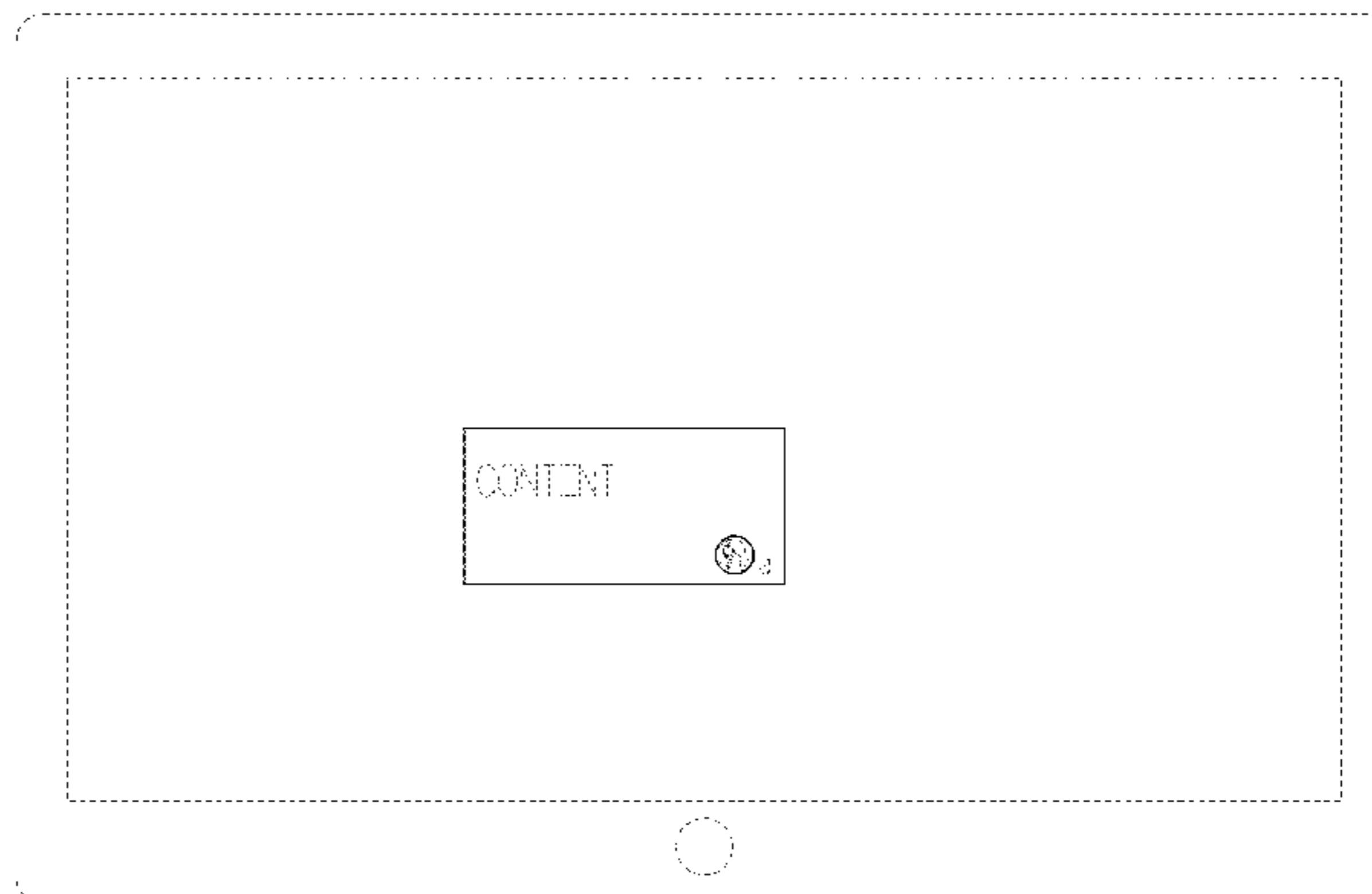
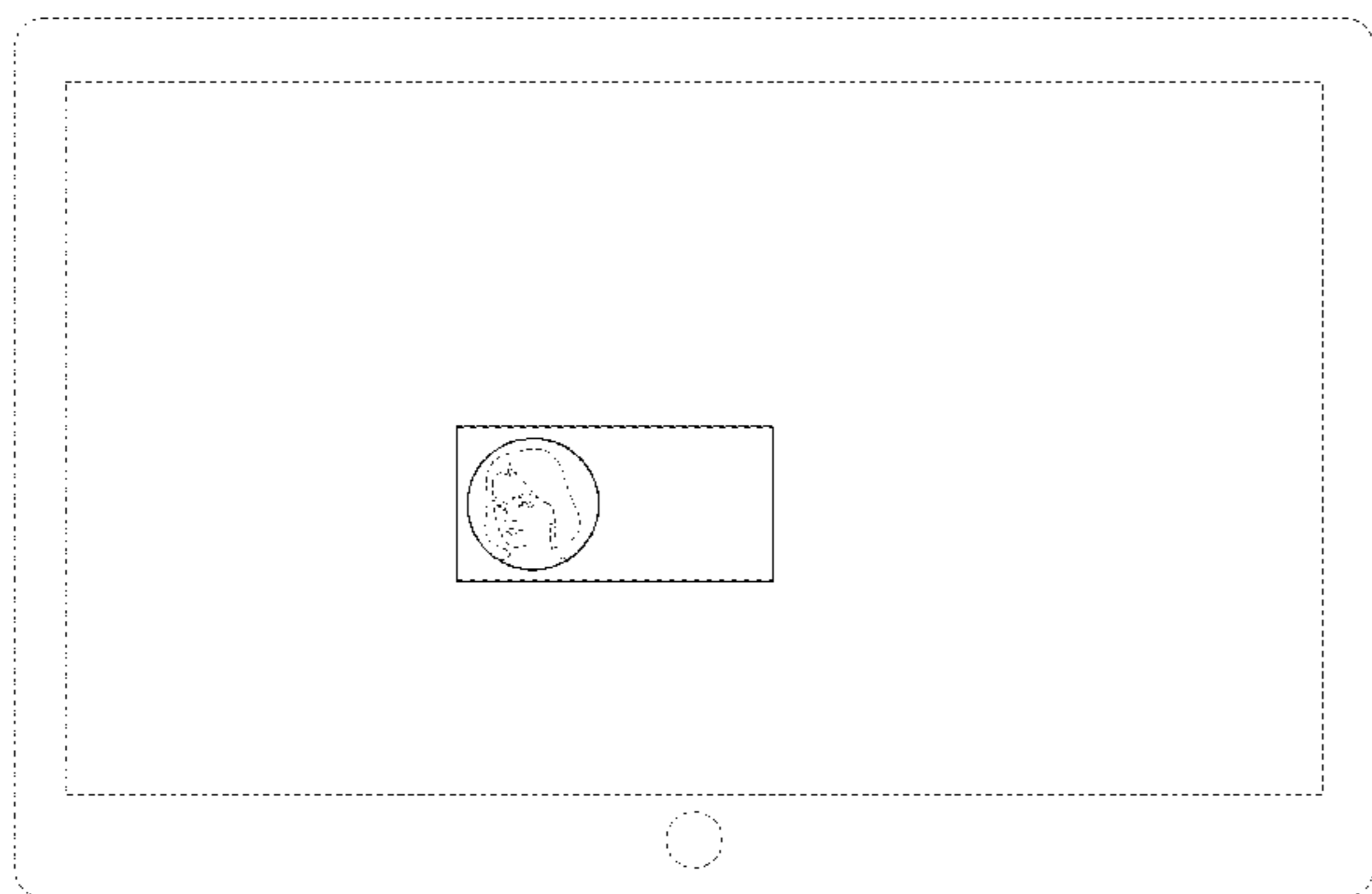
The appearance of the animated graphical user interface sequentially transitions between the images shown in FIGS. 1-7. The process or period in which one image transitions to another forms no part of the claimed design. The broken line showing of the text, the humanoid, the numeral shown in FIG. 7, the remainder of the animated graphical user interface and the remainder of the display screen, illustrate portions of the display screen with animated graphical user interface, forms no part of the claimed design. The broken line showing of an electronic device is for the purpose of illustrating environmental structure, and forms no part of the claimed design.

(56) **References Cited**

U.S. PATENT DOCUMENTS

- D576,635 S * 9/2008 Nathan D14/488
- D613,300 S 4/2010 Chaudhri
- D624,932 S 10/2010 Chaudhri
- D637,606 S * 5/2011 Luke D14/488
- D640,283 S * 6/2011 Woo D14/487
- D640,284 S * 6/2011 Woo D14/487
- D651,608 S * 1/2012 Allen D14/485
- D668,671 S 10/2012 Zaman et al.
- D681,657 S * 5/2013 Deng D14/486
- D682,874 S * 5/2013 Frijlink D14/488
- D688,264 S 8/2013 Zaman et al.
- D699,751 S 2/2014 Pearson et al.

1 Claim, 7 Drawing Sheets



(56)

References Cited

U.S. PATENT DOCUMENTS

D738,395 S * 9/2015 Barcheck D14/486
 D747,332 S * 1/2016 Sic D14/486
 2009/0049412 A1* 2/2009 Lee G06F 3/0482
 715/841
 2012/0254791 A1* 10/2012 Jackson G06F 3/0482
 715/781
 2013/0198682 A1* 8/2013 Matas G06T 11/60
 715/784
 2013/0332850 A1* 12/2013 Bovet G06F 3/0488
 715/752
 2014/0337773 A1 11/2014 Phang et al.
 2015/0062052 A1 3/2015 Bernstein et al.
 2015/0234548 A1* 8/2015 Pierre G06F 3/0482
 715/768

2015/0234568 A1* 8/2015 Jackson G06F 3/04815
 715/822
 2015/0286350 A1* 10/2015 Gu G06F 3/0482
 715/748
 2015/0286351 A1* 10/2015 Gu G06F 3/0481
 715/841
 2015/0286352 A1* 10/2015 Gu G06F 3/04842
 715/841
 2016/0041750 A1* 2/2016 Cieplinski G06F 3/04883
 715/716

OTHER PUBLICATIONS

Feb. 25, 2016—(US) Non-Final Office Action—U.S. Appl. No. 29/515,157, filed Jan. 20, 2015 Inventor: Jose Alberto Rodriguez.

* cited by examiner

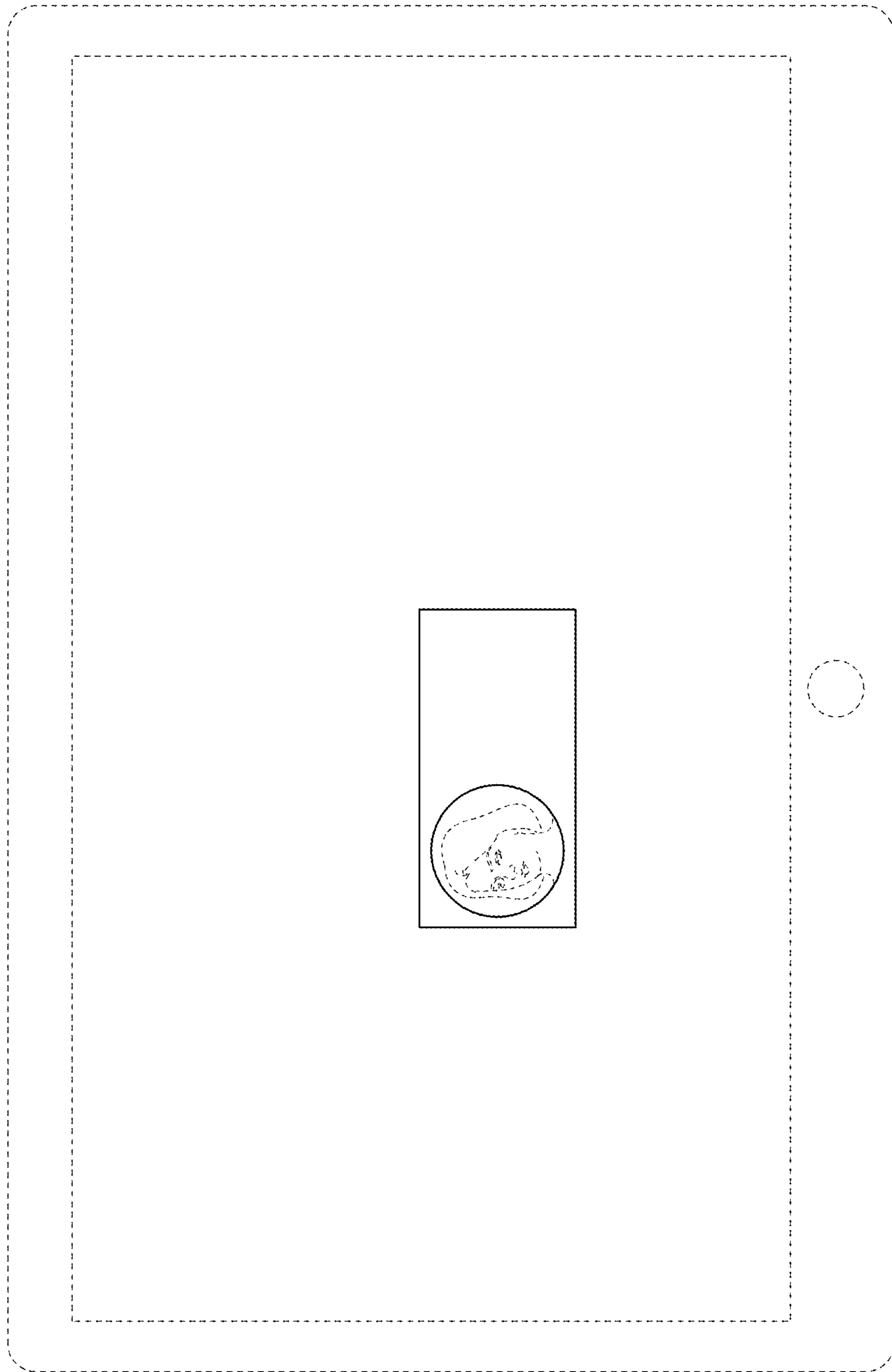


FIG. 1

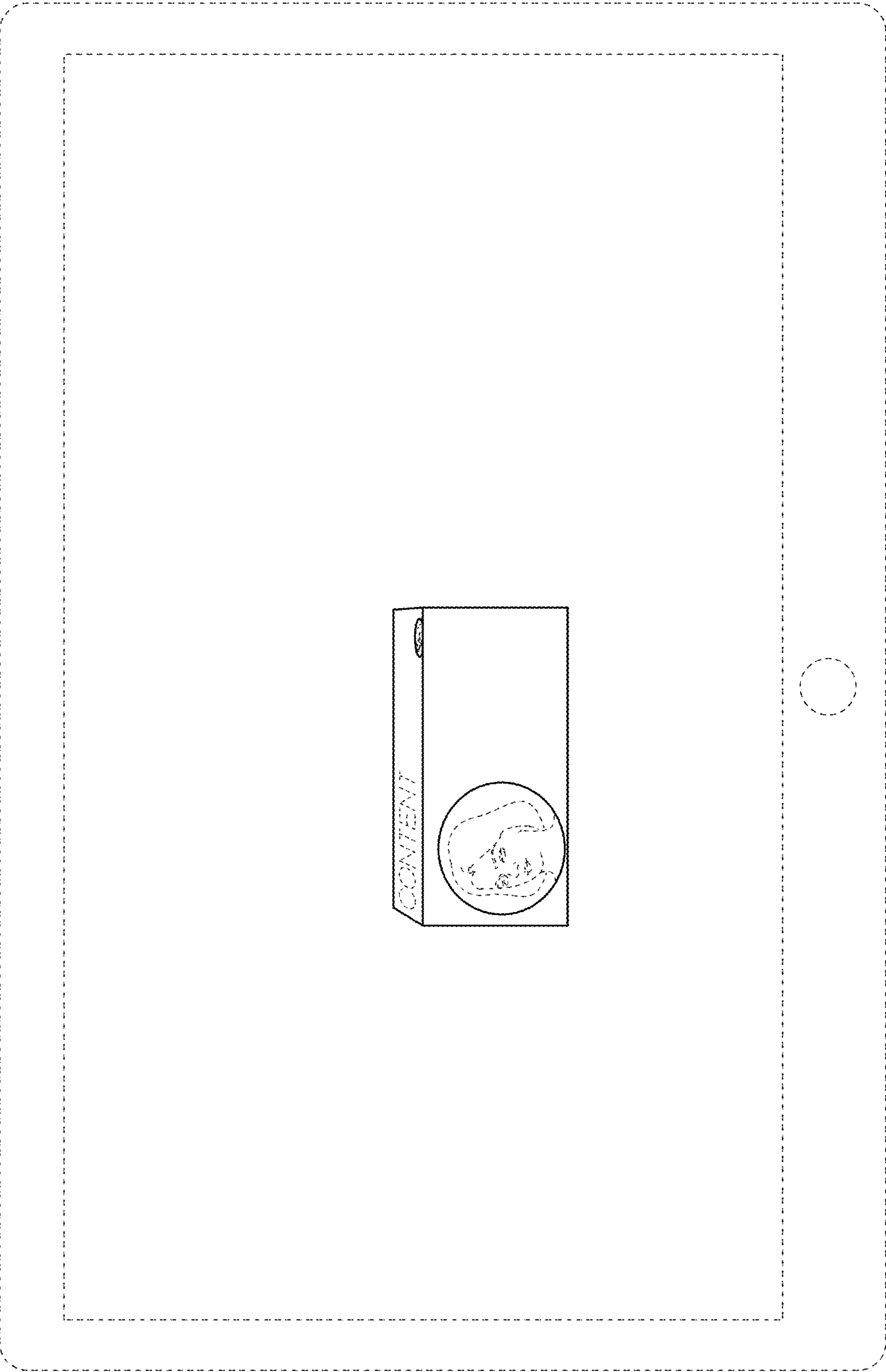


FIG. 2

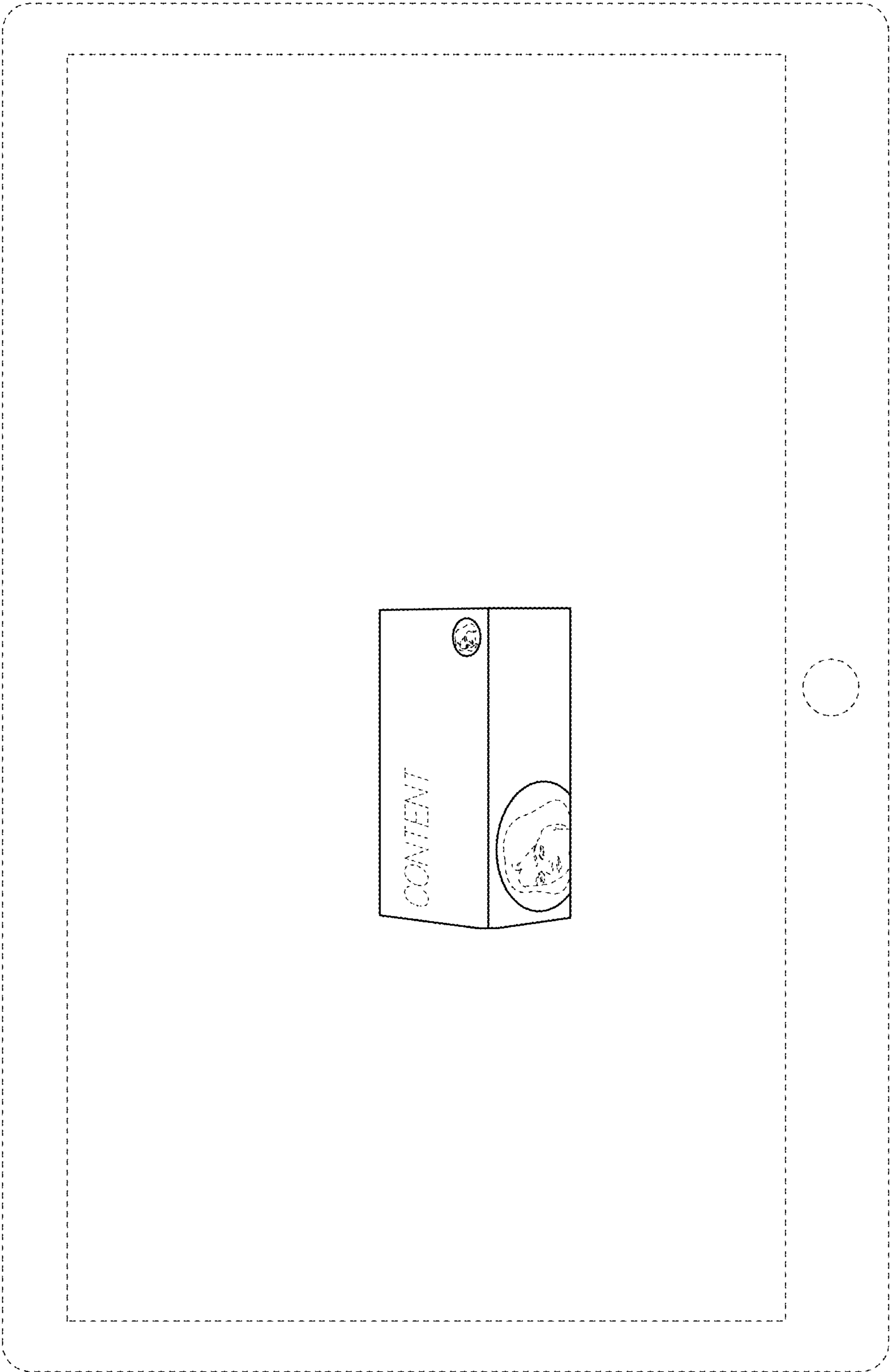


FIG. 3

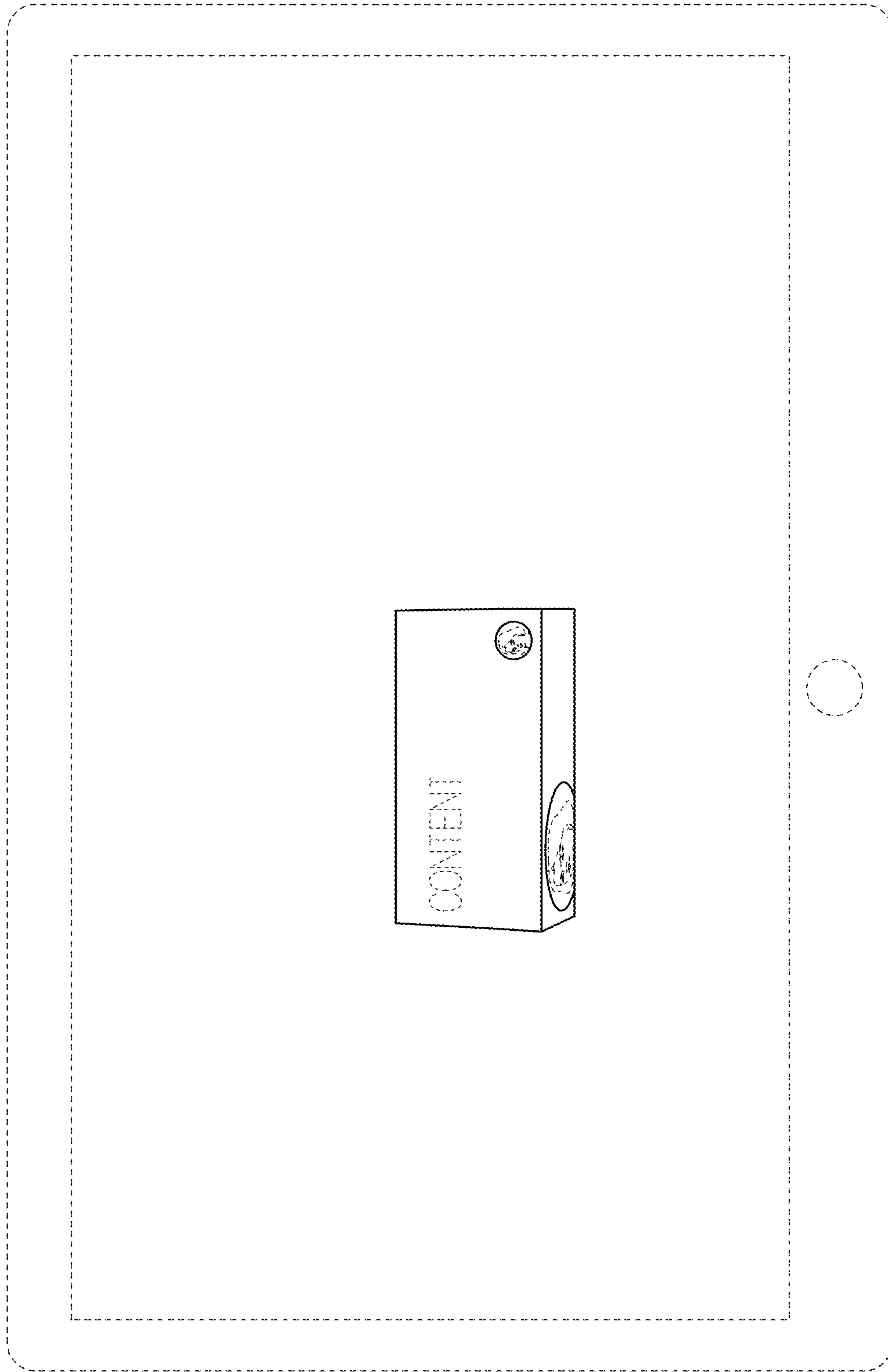


FIG. 4

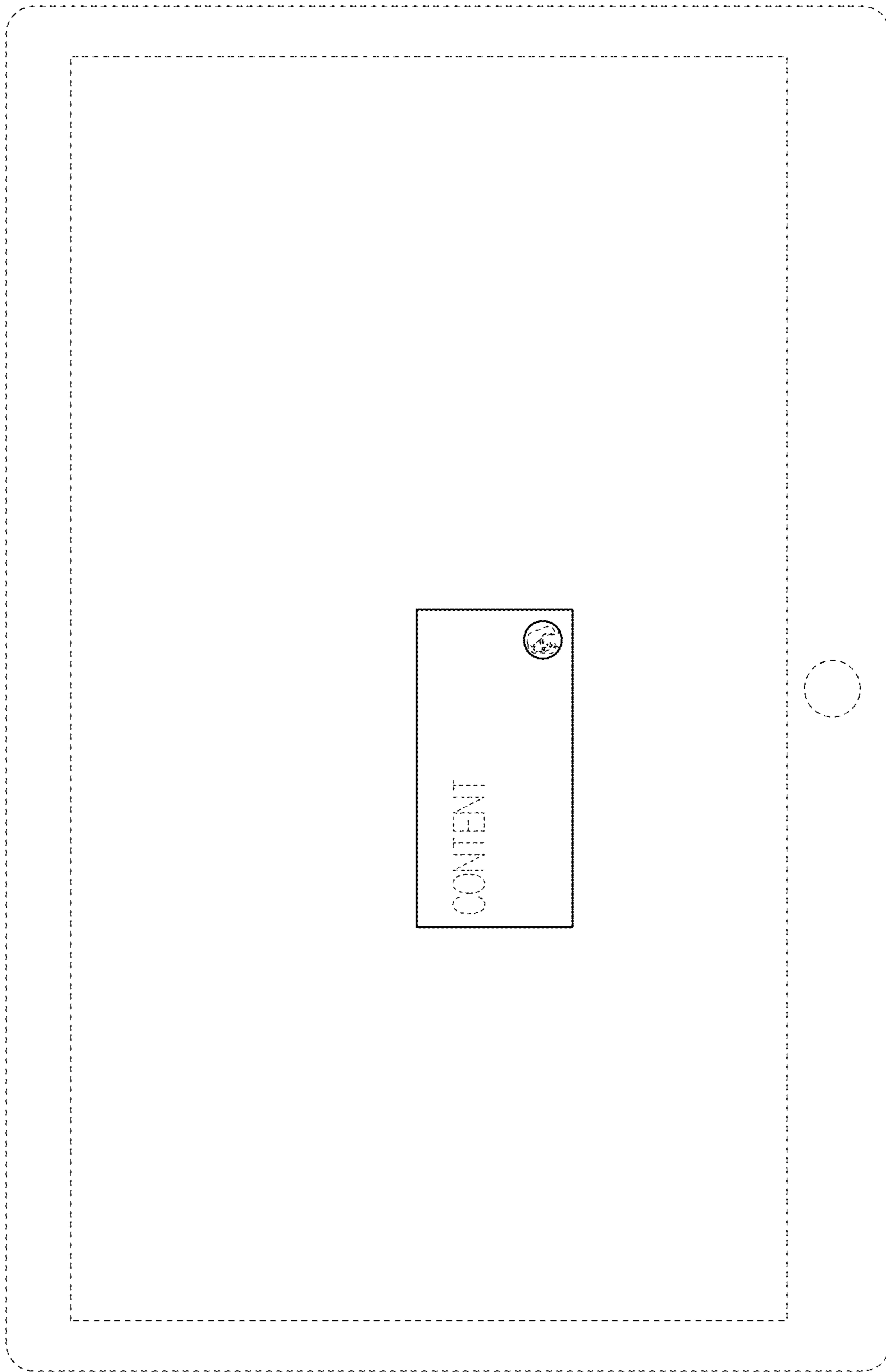


FIG. 5

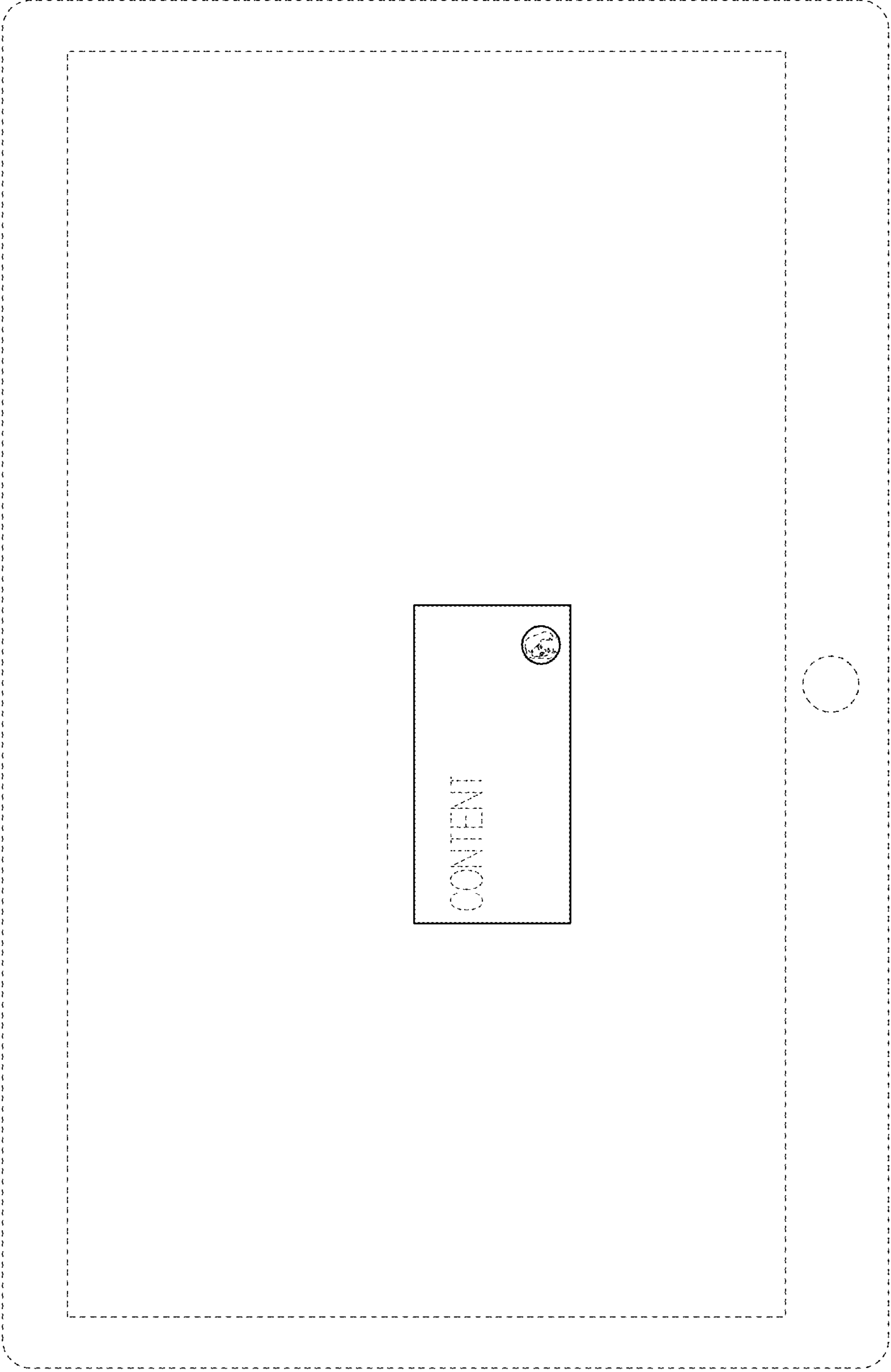


FIG. 6

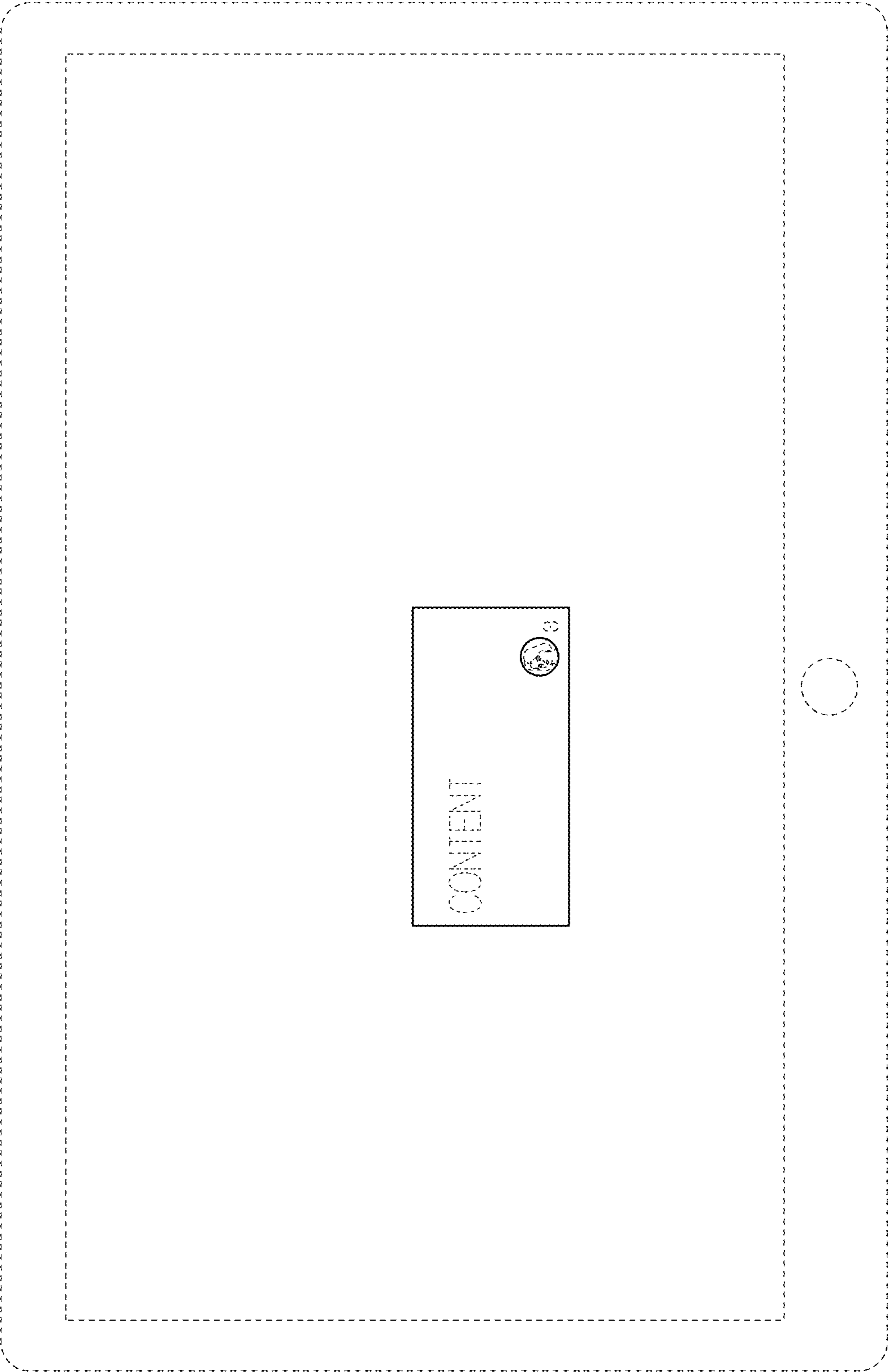


FIG. 7