



US00D770513S

(12) **United States Design Patent**  
**Choi et al.**

(10) **Patent No.:** **US D770,513 S**

(45) **Date of Patent:** **\*\* Nov. 1, 2016**

(54) **DISPLAY SCREEN OR PORTION THEREOF WITH AN ANIMATED GRAPHICAL USER INTERFACE**

FOREIGN PATENT DOCUMENTS

EM	001349823-0002	10/2012
EM	001392781-0028	10/2013
KR	30-2012-0029226	10/2012

(71) Applicant: **Samsung Electronics Co., Ltd.**,  
Suwon-si (KR)

OTHER PUBLICATIONS

(72) Inventors: **Hyun-Woo Choi**, Seoul (KR); **Jong-Il Jeong**, Seoul (KR); **Sook-Kyung Lee**, Gwangmyeong-si (KR); **Ji-Hye Myung**, Yongin-si (KR); **Bong-Hee Han**, Suwon-si (KR)

Binary Game Mental Calculation, posted at CraniumCode.com, posted Feb. 23, 2015, © 2015 CraniumCode, [site visited Apr. 28, 2016]. Available from internet: <<http://www.craniumcode.com/app-reviews/binary-game-mental-calculation-review#comments>>.\*

(Continued)

(73) Assignee: **Samsung Electronics Co., Ltd.**,  
Suwon-si (KR)

*Primary Examiner* — Karen E Kearney

*Assistant Examiner* — Alyse Joseph

(74) *Attorney, Agent, or Firm* — NSIP Law

(\*\*) Term: **15 Years**

(57) **CLAIM**

(21) Appl. No.: **29/526,945**

We claim the ornamental design for a display screen or portion thereof with an animated graphical user interface, as shown and described.

(22) Filed: **May 14, 2015**

**DESCRIPTION**

(30) **Foreign Application Priority Data**

Nov. 28, 2014 (KR) ..... 30-2014-0057775

(51) **LOC (10) Cl.** ..... **14-04**

(52) **U.S. Cl.**  
USPC ..... **D14/487**; D14/486

(58) **Field of Classification Search**  
USPC ..... D14/485–495  
CPC ..... A63F 13/53; A63F 2300/66; A63F 2300/308; A63F 2300/8082; G06F 3/04845  
See application file for complete search history.

FIG. 1 is a front view of a first image in a sequence for a display screen or portion thereof with an animated graphical user interface, showing our new design; FIG. 2 is a second image thereof; FIG. 3 is a third image thereof; FIG. 4 is a fourth image thereof; FIG. 5 is a fifth image thereof; FIG. 6 is a sixth image thereof; and, FIG. 7 is a seventh image thereof.

The dot-dash lines in the figures represent a display screen or portion thereof and a boundary line and form no part of the claimed design. The remaining broken lines, showing portions of the animated graphical user interface, form no part of the claimed design.

The appearance of the animated user interface sequentially transitions between the images shown in FIGS. 1-7. The process or period in which one image transitions to another forms no part of the claimed design.

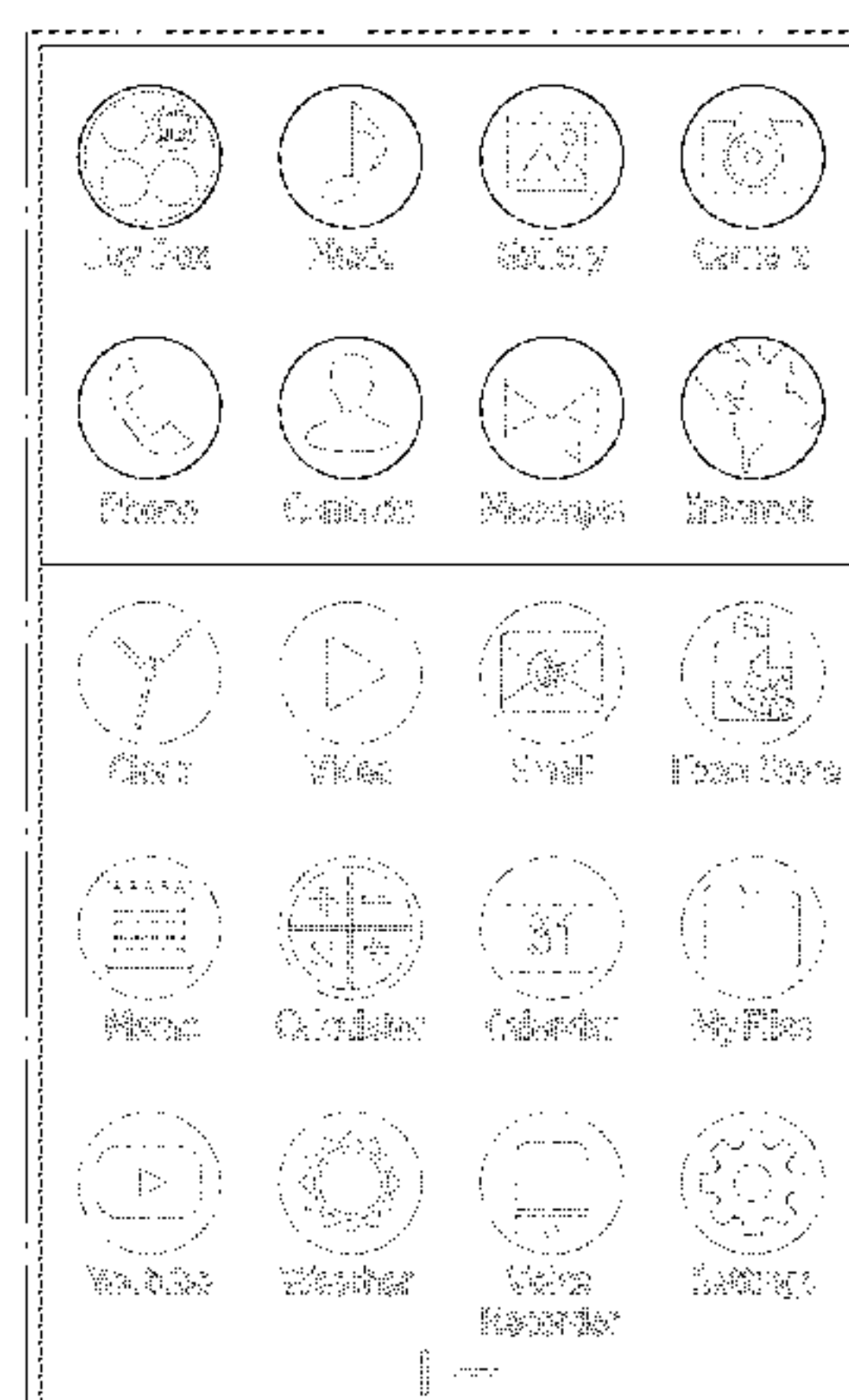
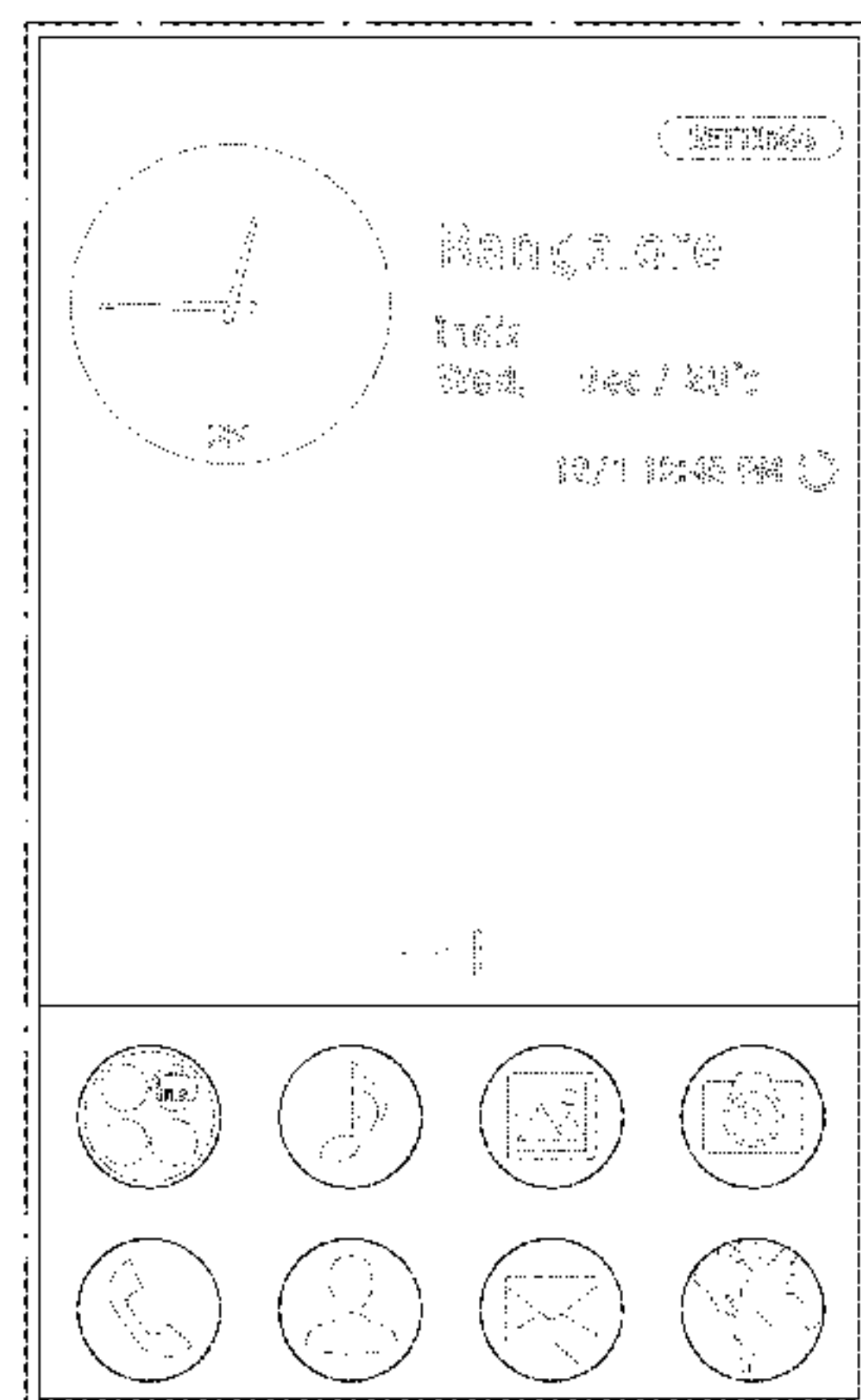
(56) **References Cited**

U.S. PATENT DOCUMENTS

D648,735 S	*	11/2011	Arnold	.....	D14/486
D673,167 S	*	12/2012	Woo	.....	D14/487
D680,125 S		4/2013	Chaudhri et al.		

(Continued)

**1 Claim, 7 Drawing Sheets**



(56)

References Cited

U.S. PATENT DOCUMENTS

D689,889	S *	9/2013	Frijlink .....	D14/486
D699,739	S *	2/2014	Voreis .....	D14/486
D714,821	S *	10/2014	Chand .....	D14/487
D718,781	S *	12/2014	Arnold .....	D14/486
D723,057	S *	2/2015	Scott .....	D14/487
D724,617	S *	3/2015	Shin .....	D14/487
D739,425	S *	9/2015	Shawki .....	D14/486
D741,353	S *	10/2015	Anzures .....	D14/487
D741,896	S *	10/2015	Park .....	D14/487
D749,107	S *	2/2016	Amiya .....	D14/486
2015/0046877	A1 *	2/2015	Cuppari .....	B67D 1/0015 715/834
2015/0052461	A1 *	2/2015	Sullivan .....	G06F 3/04845 715/765
2015/0134492	A1 *	5/2015	Harrison .....	G06F 3/04845 705/27.2
2015/0346976	A1 *	12/2015	Karunamuni .....	G06F 3/04817 715/765
2016/0092082	A1 *	3/2016	Manzari .....	G06F 3/04845 715/753

OTHER PUBLICATIONS

Xbox Support Site Reveals Upcoming Music App Design for Windows 10 Devices, posted at mspoweruser.com by Microsoft News, posted May 25, 2015, [site visited Apr. 28, 2016]. Available from internet: <<http://mspoweruser.com/xbox-support-site-reveals-upcoming-music-app-design-for-windows-10-devices/>>.\*

Modernizing the home screen, posted at 9to5mac.com by Michael Steeber, posted Oct. 22, 2014, [site visited Apr. 28, 2016]. Available from internet: <<http://9to5mac.com/2014/10/22/apple-watch-home-screen-design-iphone/>>.\*

FaceScan App Concept, posted at dribbble.com by George Frigo, posted Feb. 26, 2014, © 2009-2016 Dribbble LLC., [site visited Apr. 28, 2016]. Available from internet: <<https://dribbble.com/shots/1439846-FaceScan-app-concept>>.\*

Hutchinson, Roland "iPhone IOS 4Hands On." [2010] www.geeky-gadgets.com Jun. 22, 2010 <<http://www.geeky-gadgets.com/iphone-ios-4-hands-on-22-06-2010/>>.

\* cited by examiner

FIG. 1

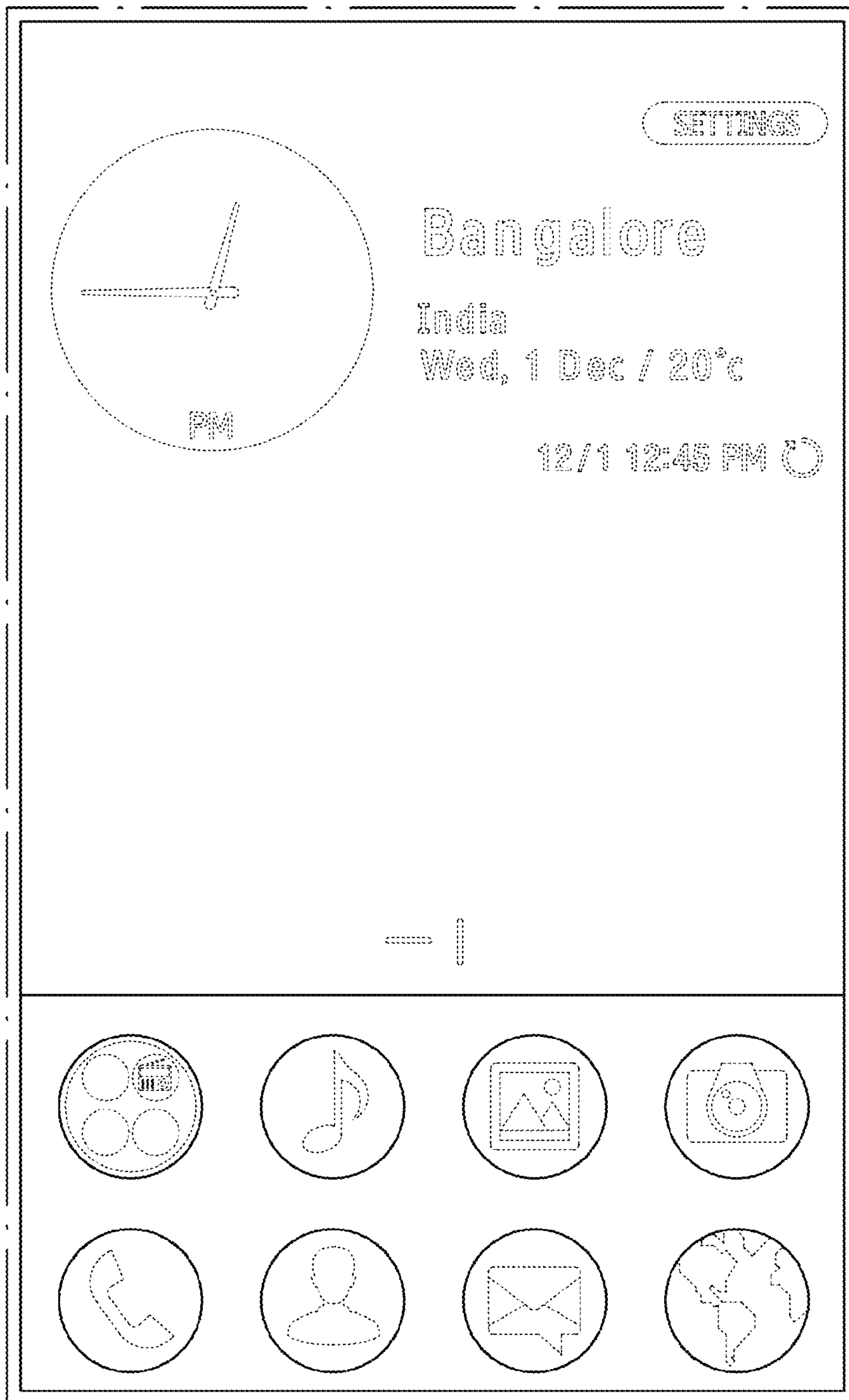


FIG. 2

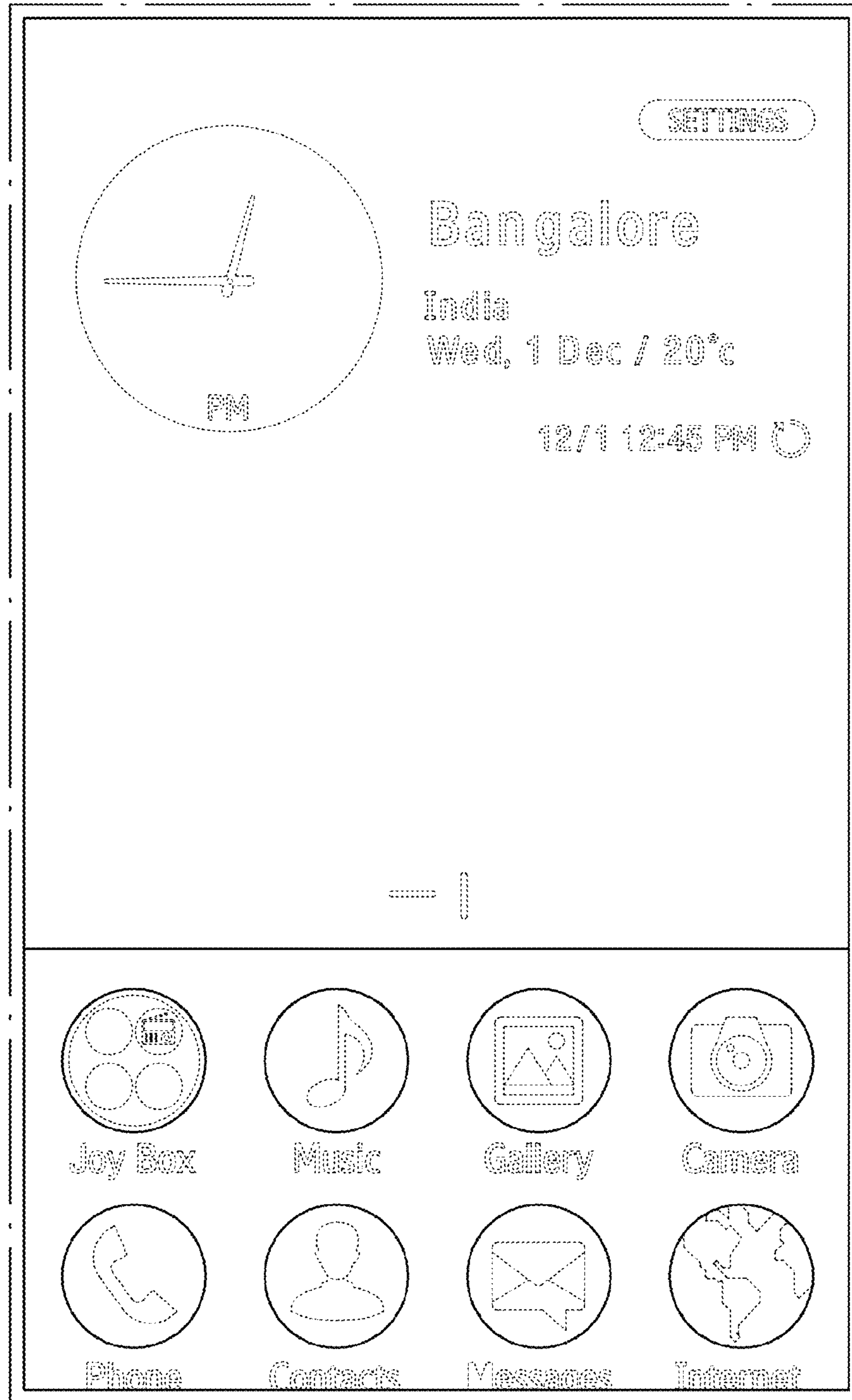




FIG. 3

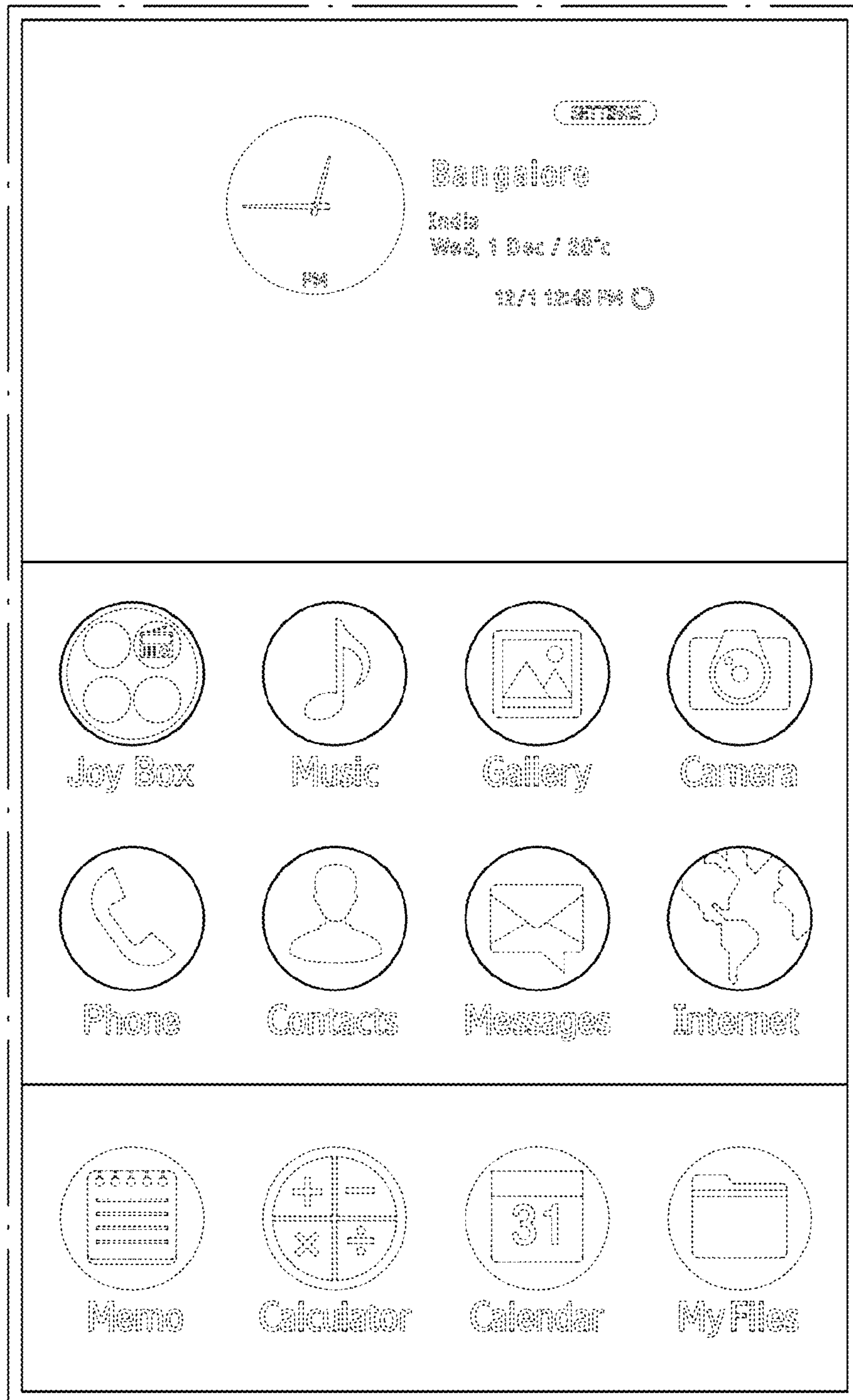


FIG. 4

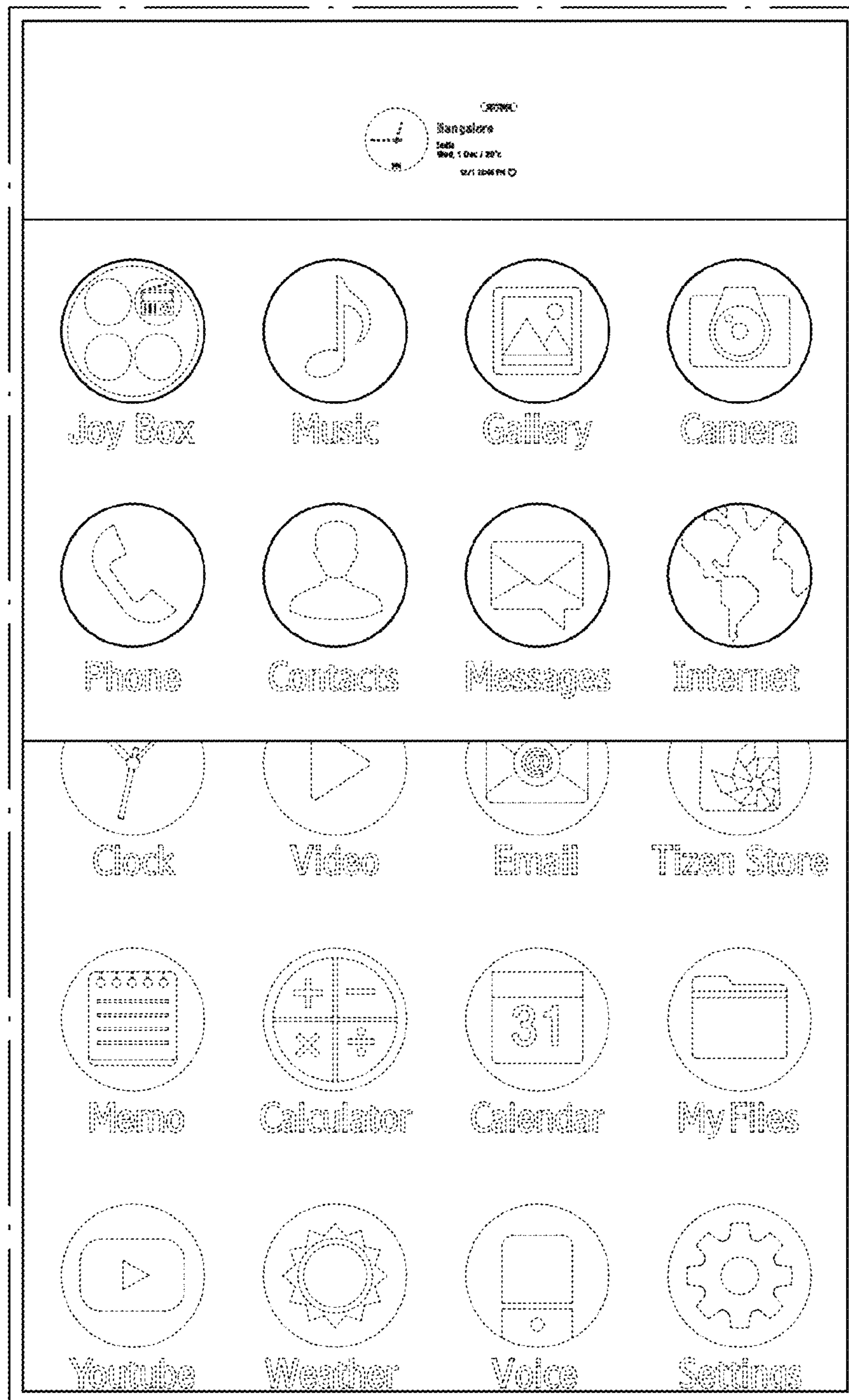


FIG. 5



FIG. 6

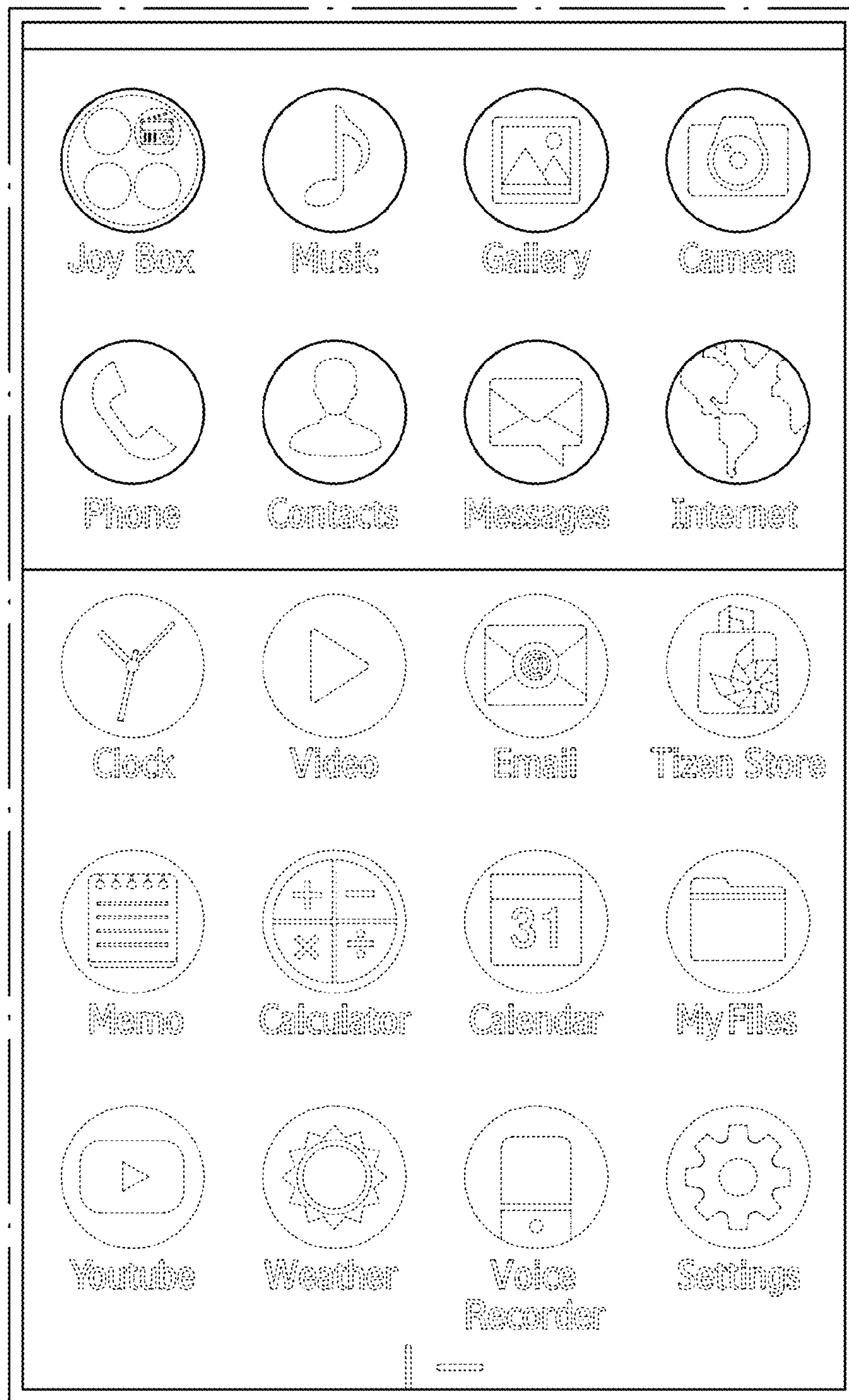




FIG. 7

