



US00D770475S

(12) **United States Design Patent**  
**Choi et al.**

(10) **Patent No.:** **US D770,475 S**  
(45) **Date of Patent:** **\*\* Nov. 1, 2016**

(54) **DISPLAY SCREEN OR PORTION THEREOF WITH AN ANIMATED GRAPHICAL USER INTERFACE**

(71) Applicant: **Samsung Electronics Co., Ltd.**,  
Suwon-si (KR)

(72) Inventors: **Hyun-Woo Choi**, Seoul (KR); **Jong-Il Jeong**, Seoul (KR); **Sook-Kyung Lee**, Gwangmyeong-si (KR); **Ji-Hye Myung**, Yongin-si (KR); **Bong-Hee Han**, Suwon-si (KR)

(73) Assignee: **Samsung Electronics Co., Ltd.**,  
Suwon-si (KR)

(\*\*) Term: **14 Years**

(21) Appl. No.: **29/526,641**

(22) Filed: **May 12, 2015**

(30) **Foreign Application Priority Data**

Nov. 28, 2014 (KR) ..... 30-2014-0057776

(51) **LOC (10) Cl.** ..... **14-04**

(52) **U.S. Cl.**  
USPC ..... **D14/485**

(58) **Field of Classification Search**  
USPC ..... D14/485-495  
CPC ..... G06T 1/0007; G06T 13/80; G06T 15/02;  
G06T 11/001-11/003; G06T 11/20-11/80;  
G06Q 50/01; H04N 1/00477; H04N 1/00408;  
G11B 27/34; H04L 51/32; H04L 441/145;  
H04L 29/08694; H04L 12/5815; G06F  
2/0485; G06F 2203/04806; G06F  
2203/04807; G06F 3/0482; G06F 17/212;  
G06F 2206/1008; H04M 1/26-1/274583;  
H04M 1/2477

See application file for complete search history.

(56) **References Cited**

U.S. PATENT DOCUMENTS

D627,790 S \* 11/2010 Chaudhri ..... D14/486  
D691,156 S \* 10/2013 AeJung ..... D14/486

(Continued)

FOREIGN PATENT DOCUMENTS

EM 001297964-0170 9/2011  
EM 002186775-0007 2/2013  
KR 30-2011-0024508 8/2011

OTHER PUBLICATIONS

Spradlin, Liam. "Stock Android Isn't Perfect: 4.4 KitKat Edition." Android Police, posted Dec. 1, 2013 (retrieved from the Internet Jun. 8, 2016). Internet URL: <<http://www.androidpolice.com/2013/12/01/stock-android-isnt-perfect-4-4-kitkat-edition/>>.\*

(Continued)

*Primary Examiner* — Eric Goodman

*Assistant Examiner* — Rachel Voorhies

(74) *Attorney, Agent, or Firm* — NSIP Law

(57) **CLAIM**

We claim the ornamental design for a display screen or portion thereof with an animated graphical user interface, as shown and described.

DESCRIPTION

FIG. 1 is a front view of a display screen or portion thereof with an animated graphical user interface showing our new design;

FIG. 2 is a second image thereof;

FIG. 3 is a third image thereof;

FIG. 4 is a fourth image thereof;

FIG. 5 is a fifth image thereof;

FIG. 6 is a sixth image thereof; and,

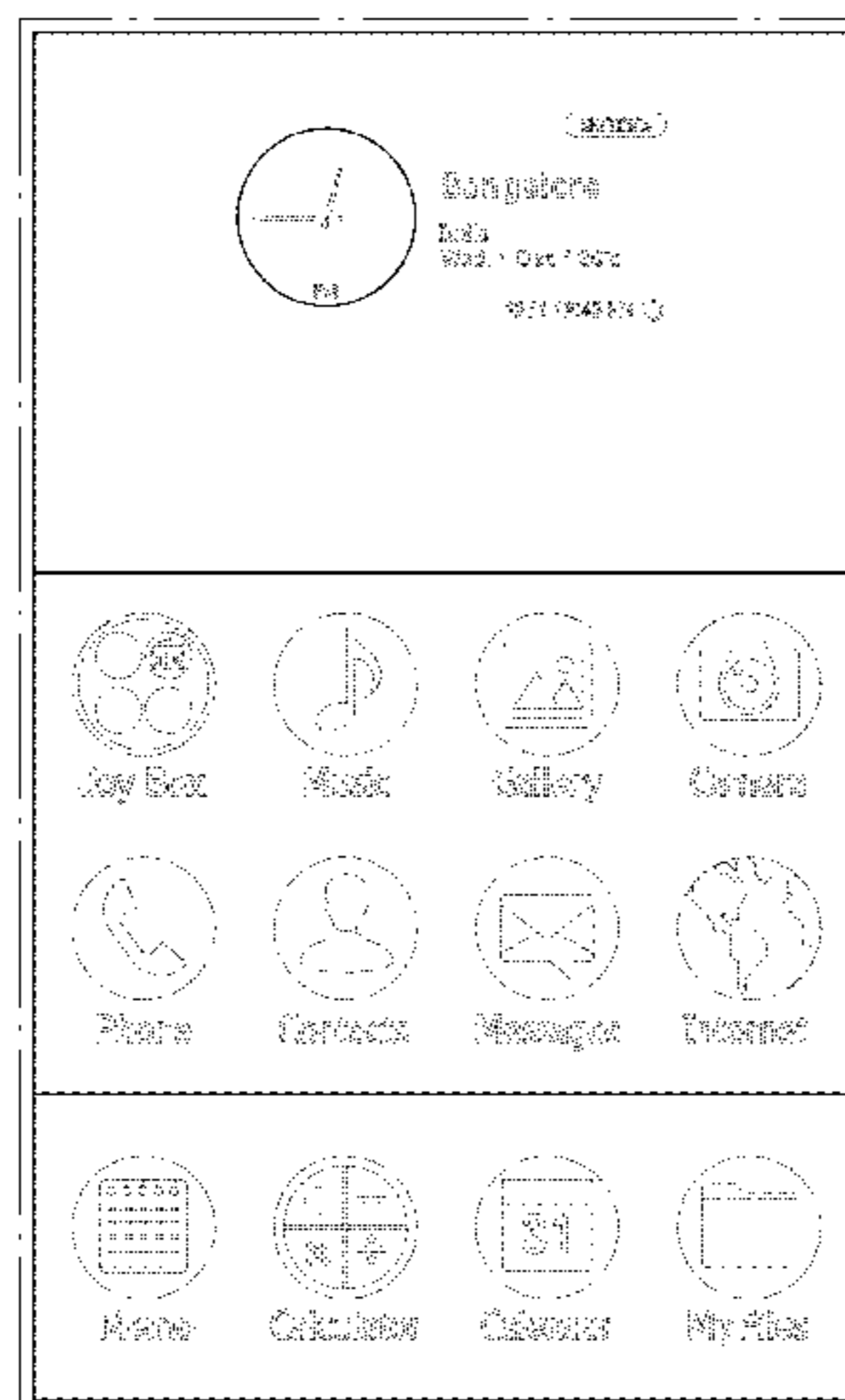
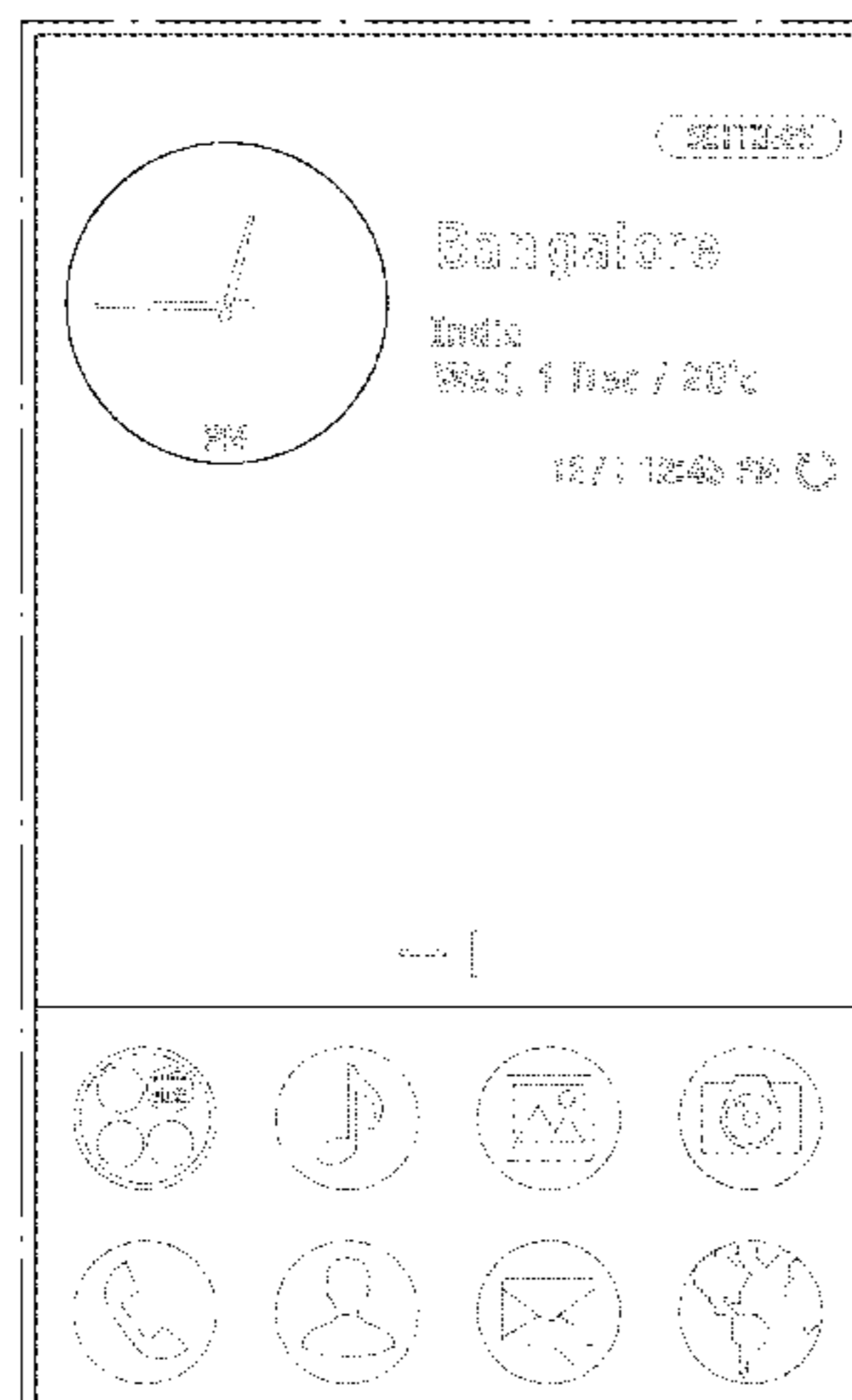
FIG. 7 is a seventh image thereof.

The broken lines in the figures show portions of the display screen or portion thereof with an animated graphical user interface which form no part of the claimed design.

The dot-dash lines in the figures represent a display screen and boundary line and form no part of the claimed design.

The appearance of the animated user interface sequentially transitions between the images shown in FIGS. 1-7. The process or period in which one image transitions to another forms no part of the claimed design.

**1 Claim, 7 Drawing Sheets**



(56)

**References Cited**

U.S. PATENT DOCUMENTS

D695,300 S 12/2013 Lee et al.  
D703,221 S \* 4/2014 Park ..... D14/486  
D711,897 S \* 8/2014 Chaudhri ..... D14/486  
D746,296 S \* 12/2015 Tanaka ..... D14/485  
2013/0252595 A1\* 9/2013 Mairs ..... H04L 67/14  
455/415  
2013/0321340 A1\* 12/2013 Seo ..... G06F 1/1641  
345/174  
2013/0326421 A1\* 12/2013 Jo ..... G06F 3/0482  
715/841  
2014/0192090 A1\* 7/2014 Park ..... G06F 3/0481  
345/672

2014/0298253 A1\* 10/2014 Jin ..... G06F 3/04842  
715/790  
2015/0007066 A1\* 1/2015 Joo ..... G06F 3/0481  
715/761  
2015/0033175 A1\* 1/2015 Wu ..... G06F 3/0481  
715/771  
2015/0346976 A1\* 12/2015 Karunamuni ..... G06F 3/04817  
715/765

OTHER PUBLICATIONS

Treasure D. "LG Optimus EX Android 4.0 ICS upgraded old video"  
[2013]. www.youtube.com. Feb. 4, 2013. <<http://www.youtube.com/watch?v=12jv7OU8DIA#t=86>>.

\* cited by examiner

FIG. 1

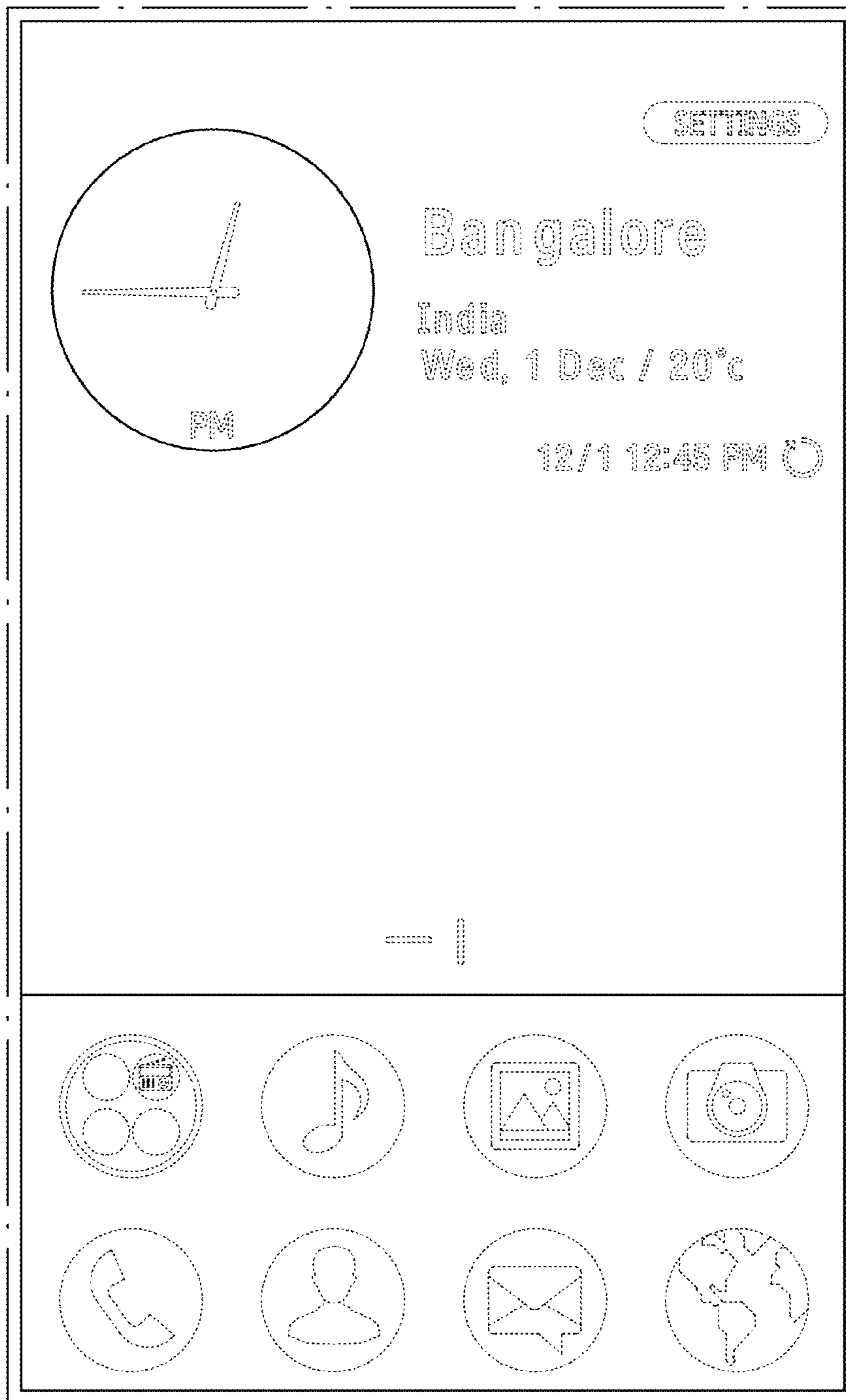


FIG. 2

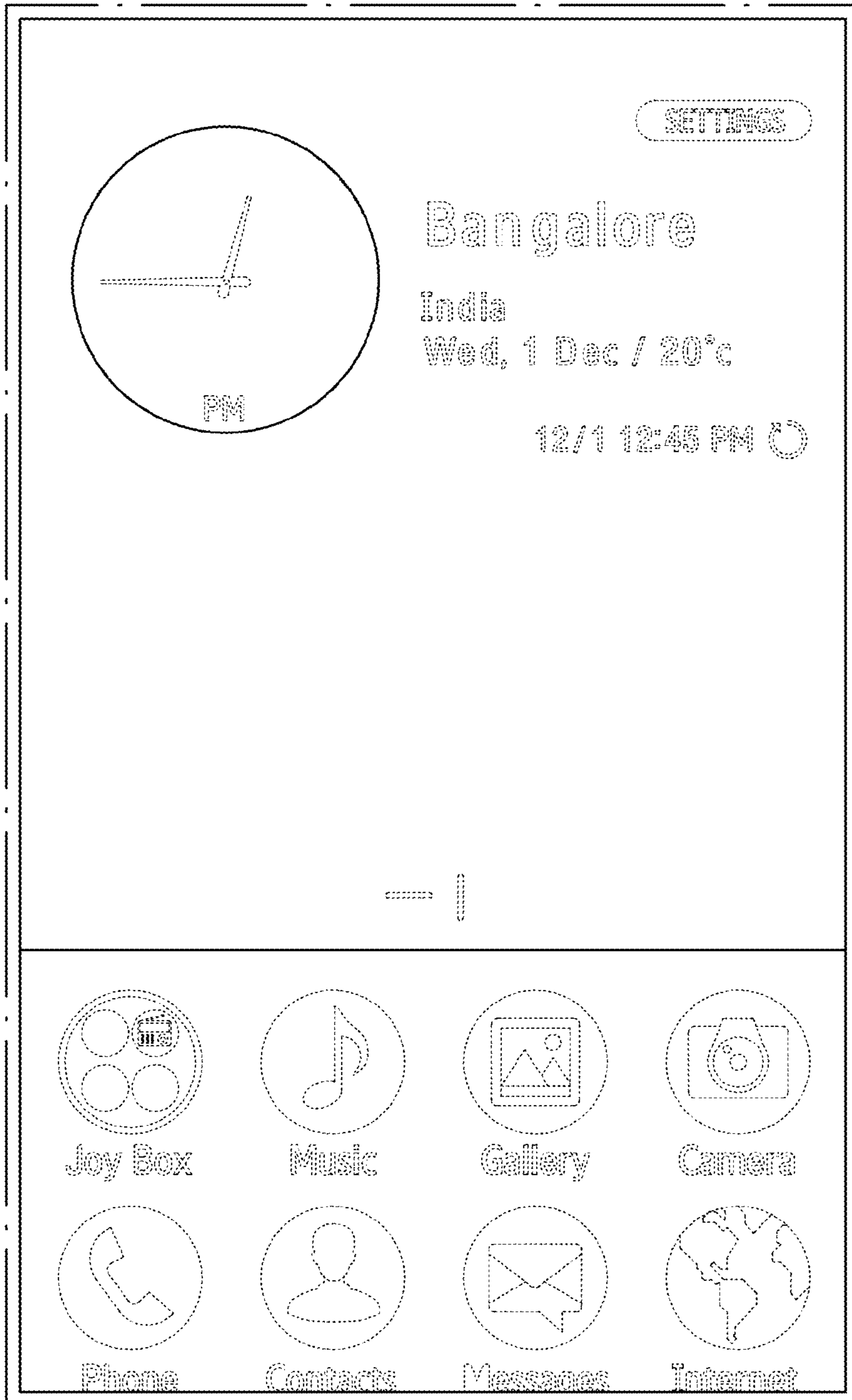


FIG. 3

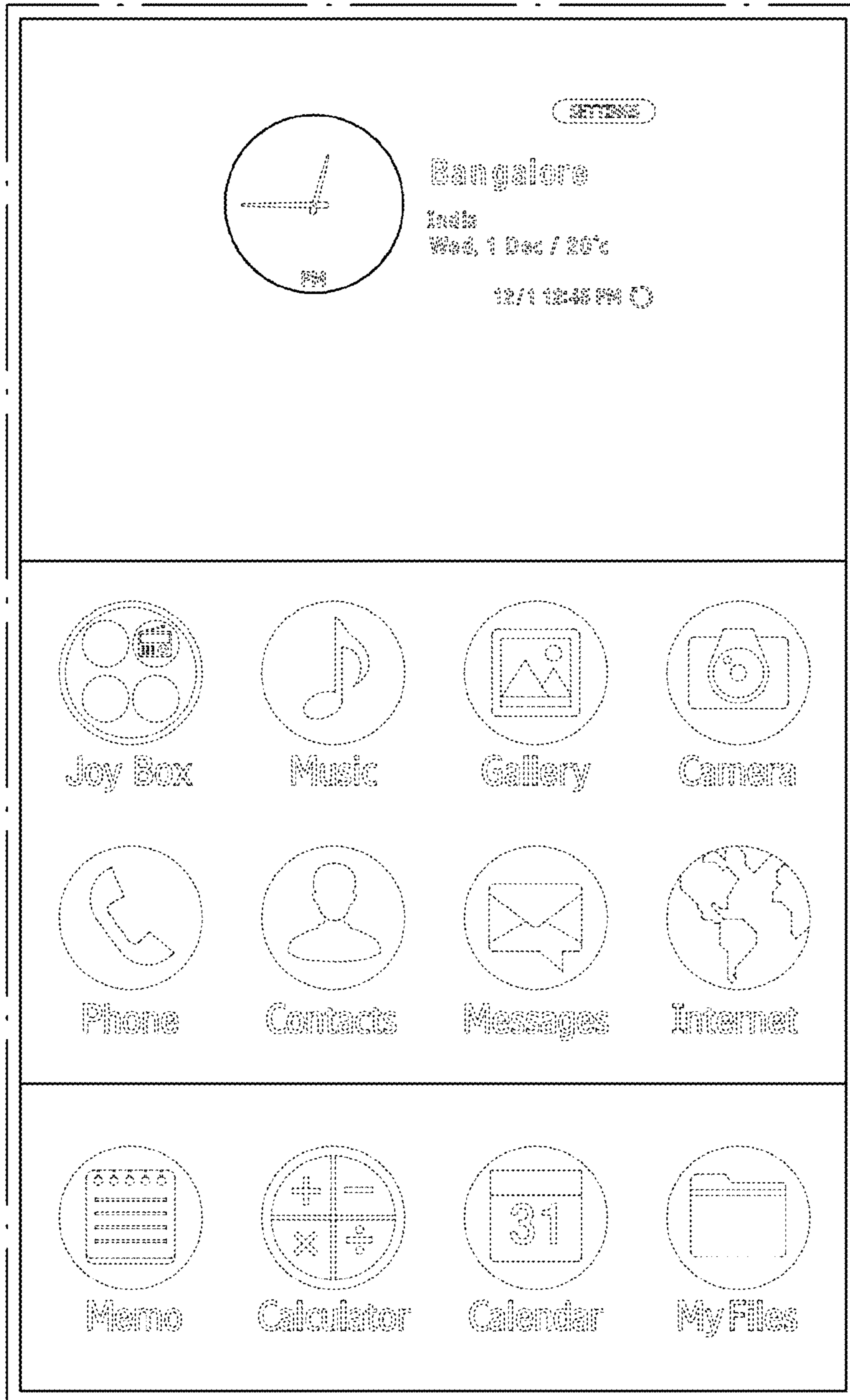


FIG. 4

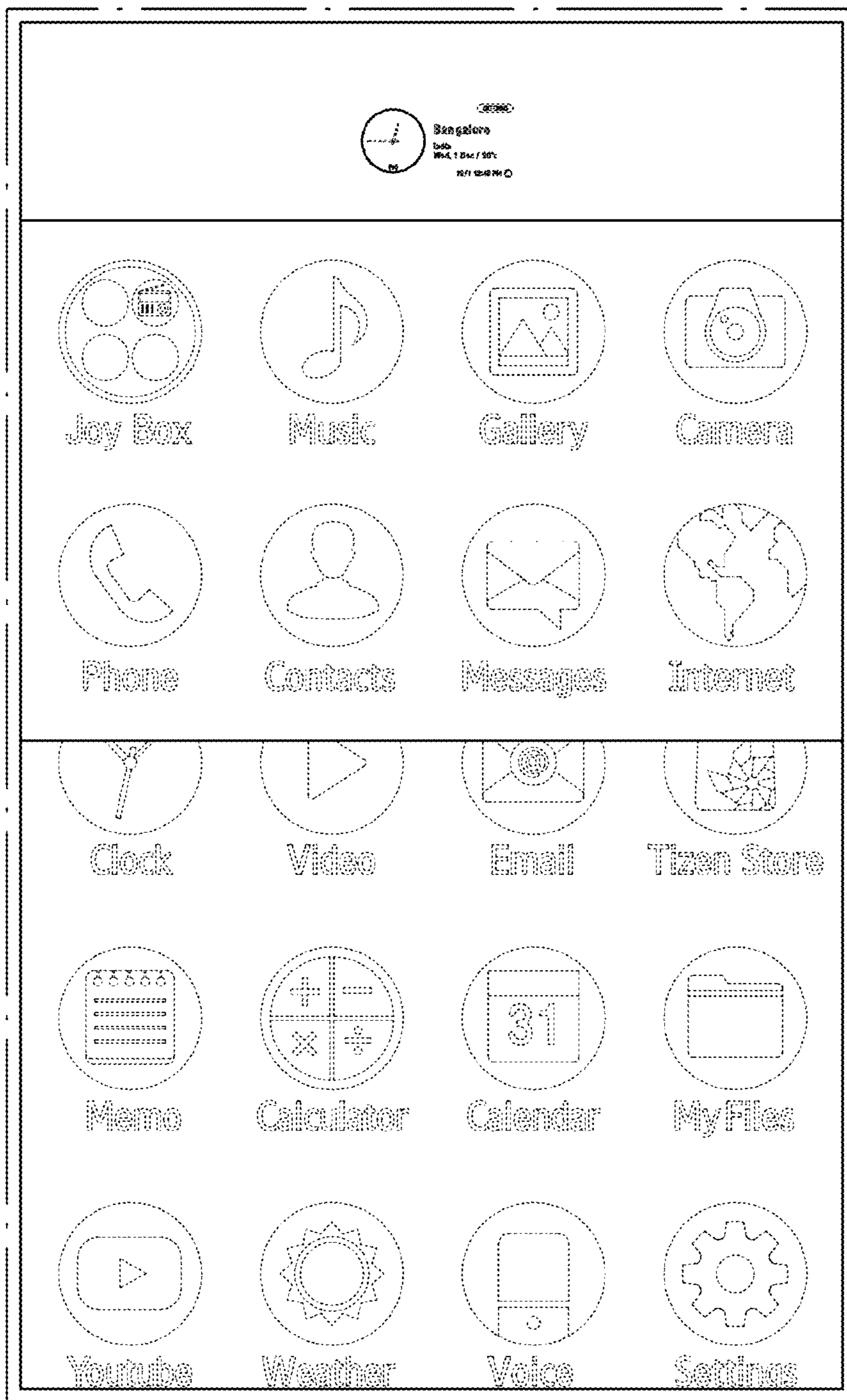


FIG. 5

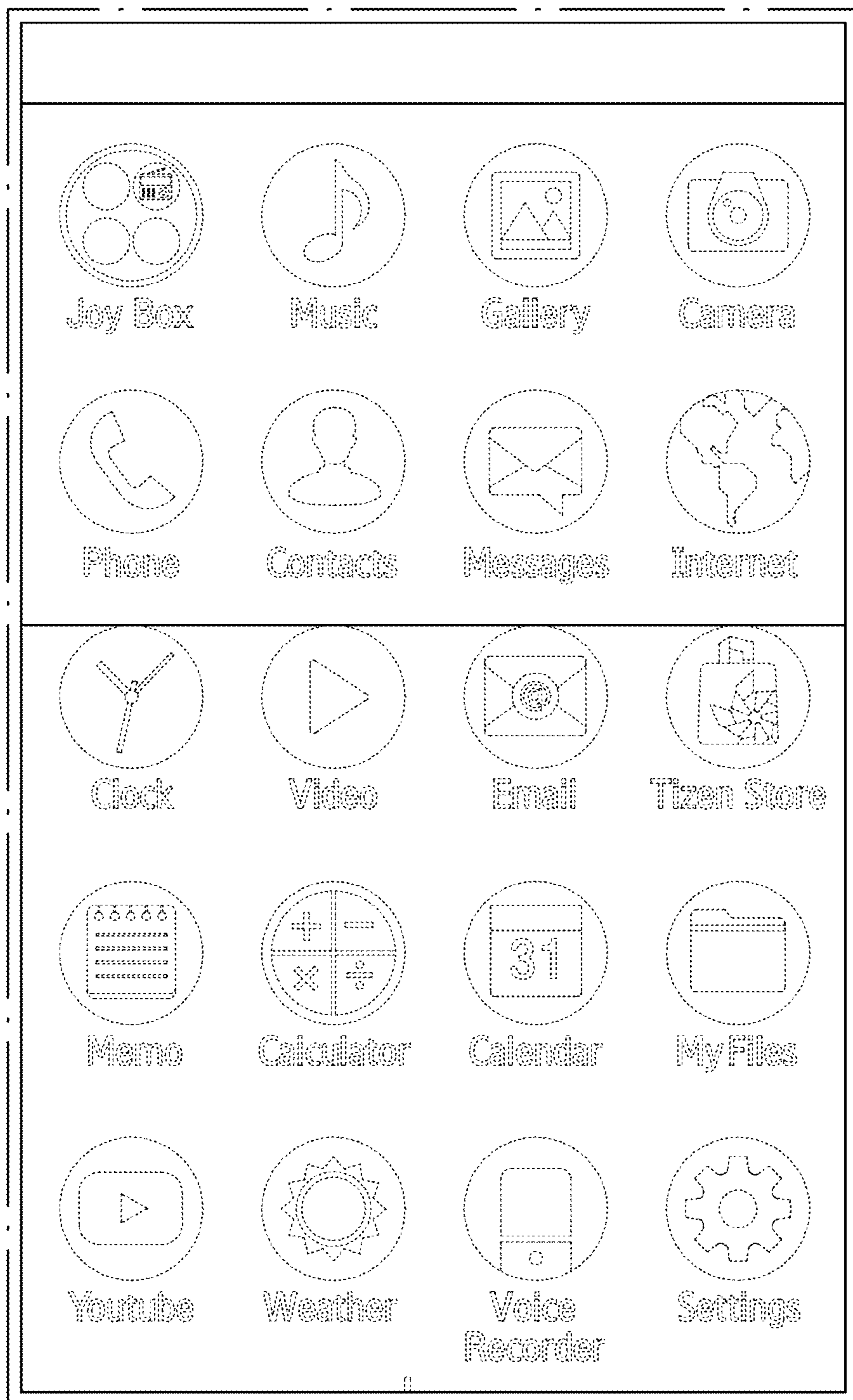


FIG. 6





FIG. 7

