



US00D770459S

(12) **United States Design Patent** (10) **Patent No.:** **US D770,459 S**
Yoo et al. (45) **Date of Patent:** **** Nov. 1, 2016**

(54) **PORTABLE WORKSURFACE**
(71) Applicant: **Steelcase Inc.**, Grand Rapids, MI (US)
(72) Inventors: **Hyun Yoo**, Grand Rapids, MI (US);
Michael Held, Quarry Bay (HK); **Siu Cho Ho**, Fanling (HK); **Mark William Spoelhof**, Grand Rapids, MI (US)
(73) Assignee: **Steelcase Inc.**, Grand Rapids, MI (US)
(**) Term: **15 Years**

6,471,164 B2 10/2002 DiOrio
6,994,336 B2 2/2006 Loo
D574,375 S * 8/2008 Prest D14/217
D579,455 S * 10/2008 Chu D14/447
D620,942 S * 8/2010 Huang D14/447
D626,129 S * 10/2010 Lutz D14/447
D663,726 S * 7/2012 Gourley D14/251
D692,437 S 10/2013 Sugino et al.
D695,748 S * 12/2013 Morris D14/447
8,740,166 B2 6/2014 Hamilton et al.
9,089,208 B2 7/2015 Zimmerman
D737,829 S * 9/2015 Lee D14/447
D739,858 S * 9/2015 Matias D14/457
2009/0107368 A1 4/2009 Austin

(21) Appl. No.: **29/549,125**
(22) Filed: **Dec. 18, 2015**
(51) **LOC (10) Cl.** **08-07**
(52) **U.S. Cl.**
USPC **D14/447**
(58) **Field of Classification Search**
USPC D14/447, 432, 434, 439, 440, 451, 452,
D14/457, 250, 251, 253; D3/218; D6/406.3,
D6/406.4, 406.5, 406.6
CPC A45C 2011/003; A45C 2011/002;
A45C 13/002; A47B 2023/049; A47B
2097/005; A47B 2097/006; A47B 21/04;
A47B 23/00; A47B 23/043; A47B
2021/0307; A47B 2023/005; F16M 2200/00;
H04B 1/3888; H04M 1/185; H04M 1/04
See application file for complete search history.

FOREIGN PATENT DOCUMENTS

DE 20200800851 10/2008
FR 2568462 12/1986
GB 2169794 7/1986

* cited by examiner

Primary Examiner — Angela J Lee
(74) *Attorney, Agent, or Firm* — Price Heneveld LLP

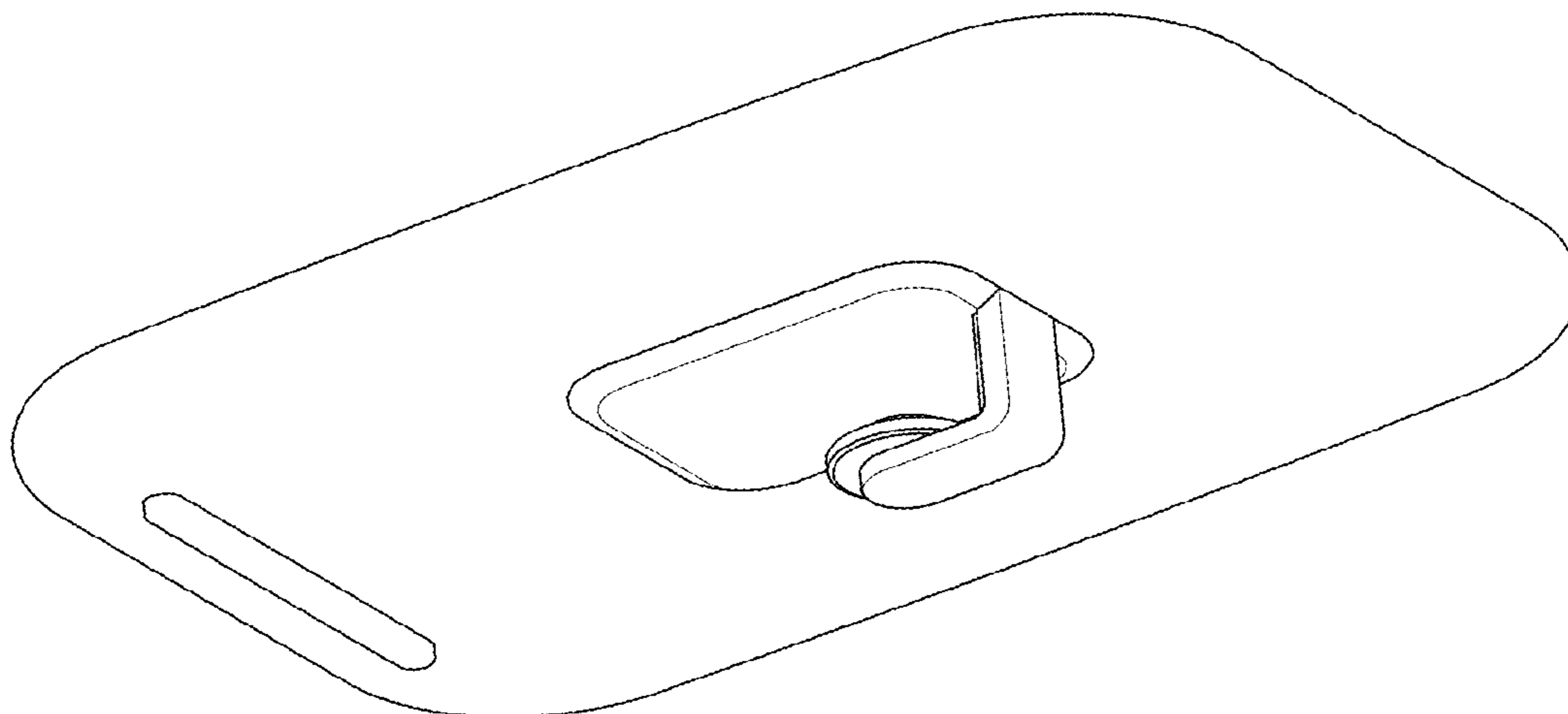
(57) **CLAIM**
The ornamental design for the portable worksurface, as shown and described herein.

DESCRIPTION

FIG. 1 is a top perspective view of a portable worksurface embodying the present invention;
FIG. 2 is a bottom perspective view of the portable worksurface;
FIG. 3 is side elevational view of the portable worksurface;
FIG. 4 is a front elevational view of the portable worksurface;
FIG. 5 is a rear elevational view of the portable worksurface;
FIG. 6 is a top plan view of the portable worksurface; and,
FIG. 7 is a bottom plan view of the portable worksurface.

1 Claim, 4 Drawing Sheets

(56) **References Cited**
U.S. PATENT DOCUMENTS
1,223,637 A 4/1917 Swain
4,088,081 A 5/1978 D'Arca
4,836,113 A 6/1989 Waddell et al.
D347,360 S * 5/1994 Wheeler D19/113
D354,636 S * 1/1995 Cable D19/113
D359,425 S 6/1995 Meeker et al.
D427,573 S * 7/2000 Wiggins D14/457



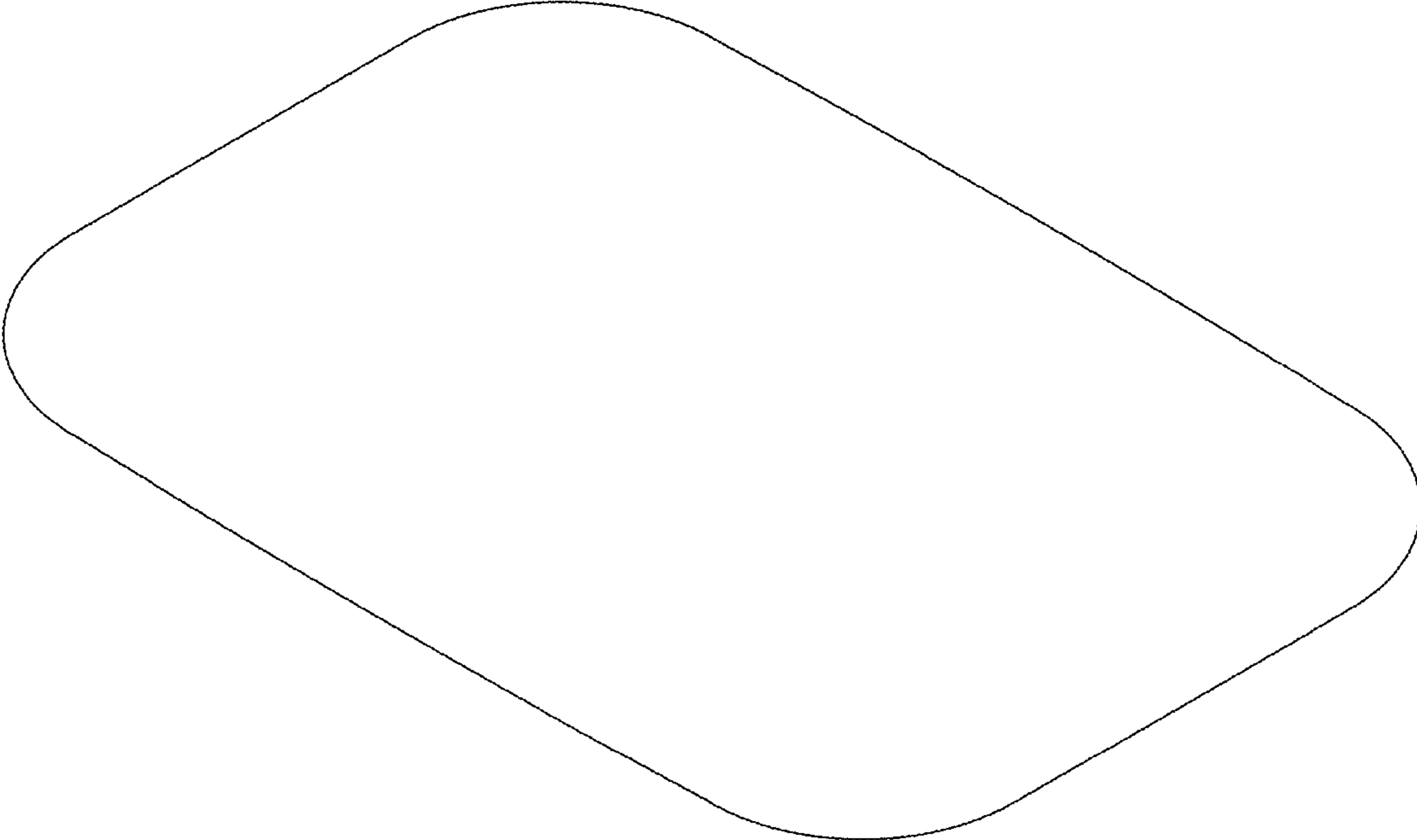


FIG. 1

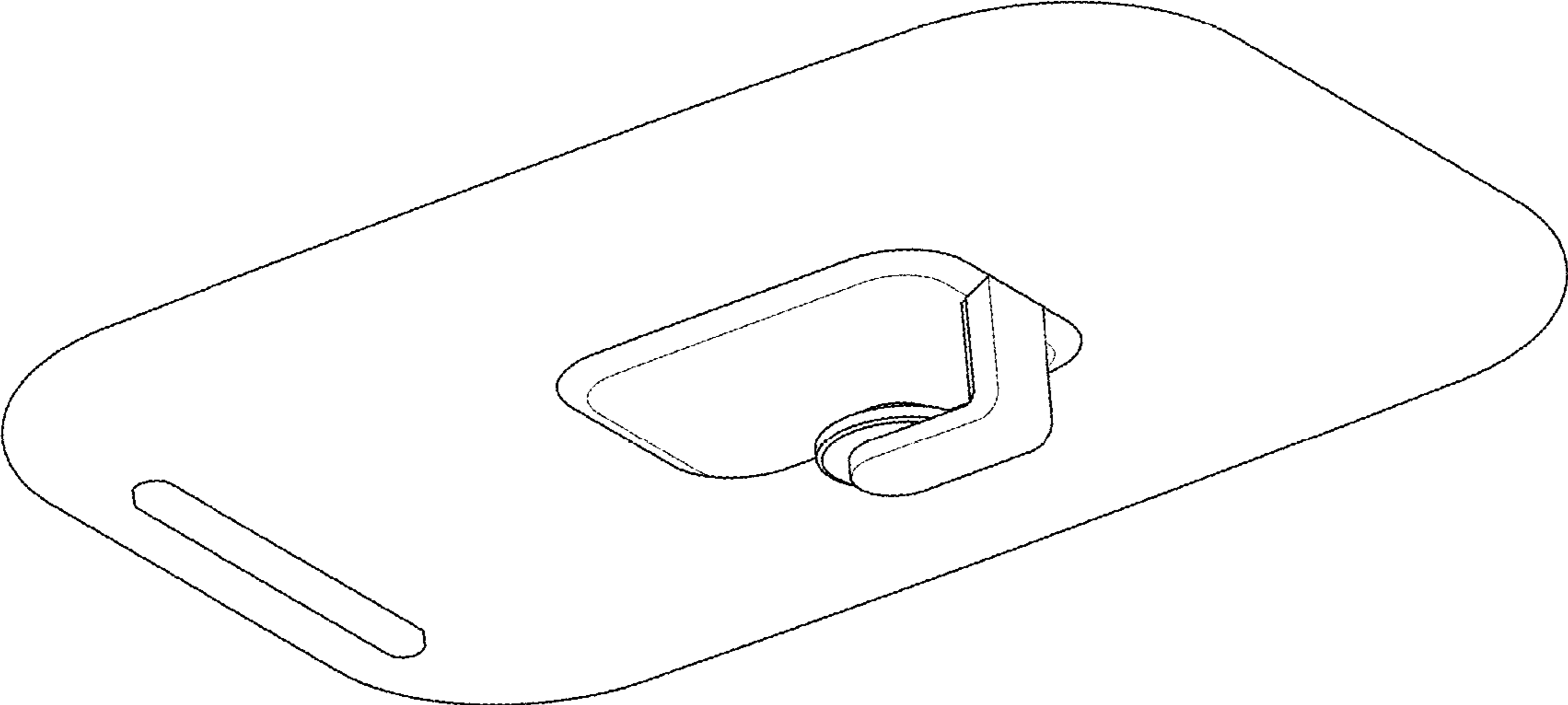


FIG. 2

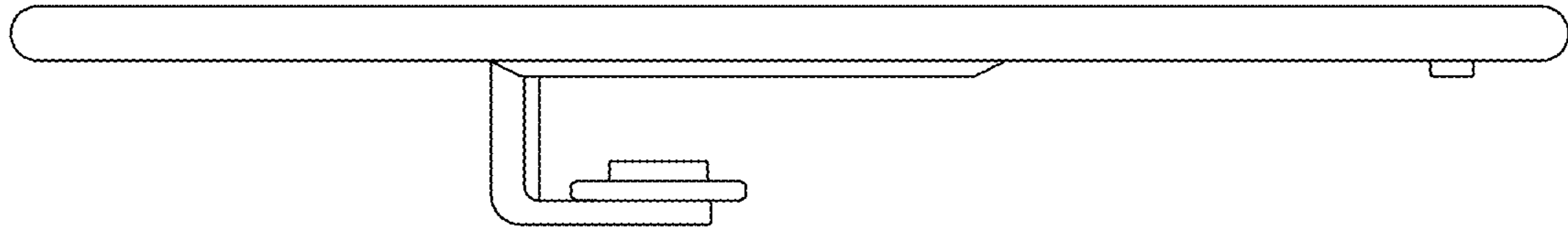


FIG. 3

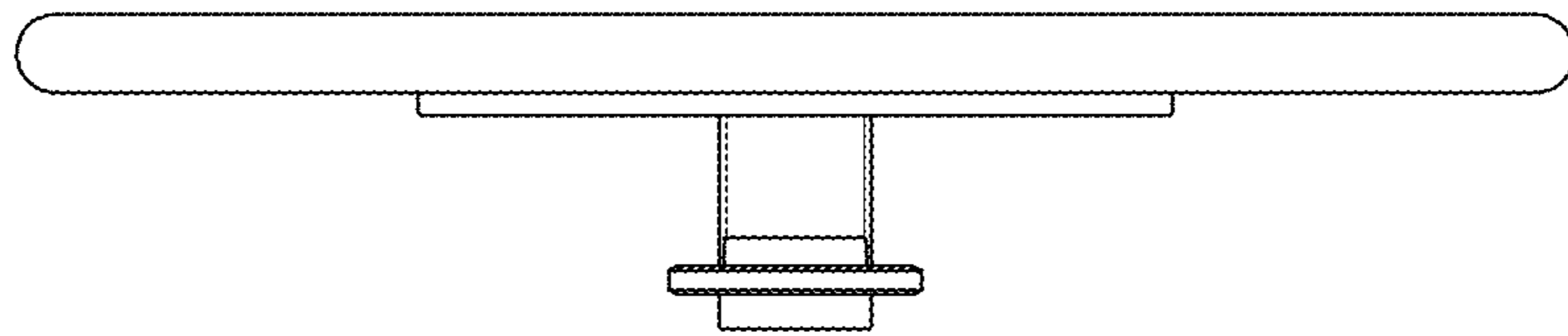


FIG. 4

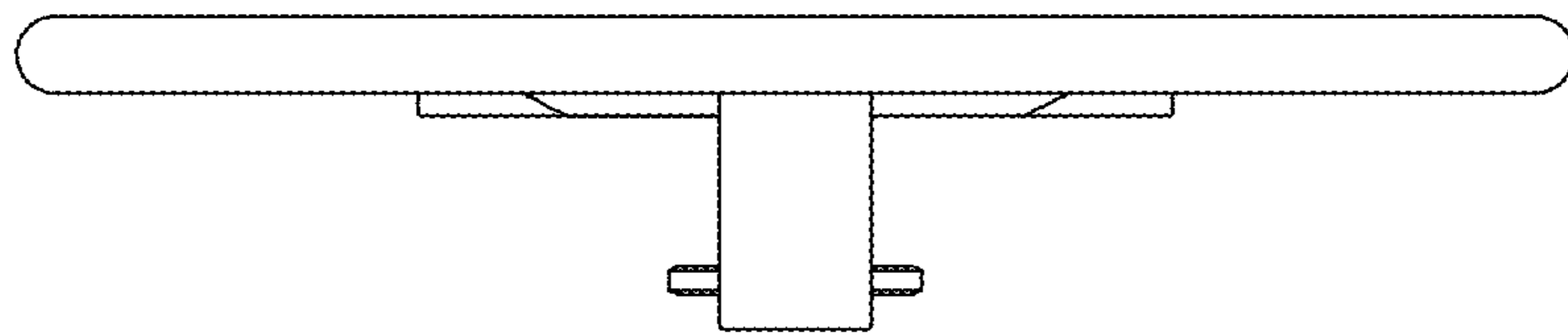


FIG. 5

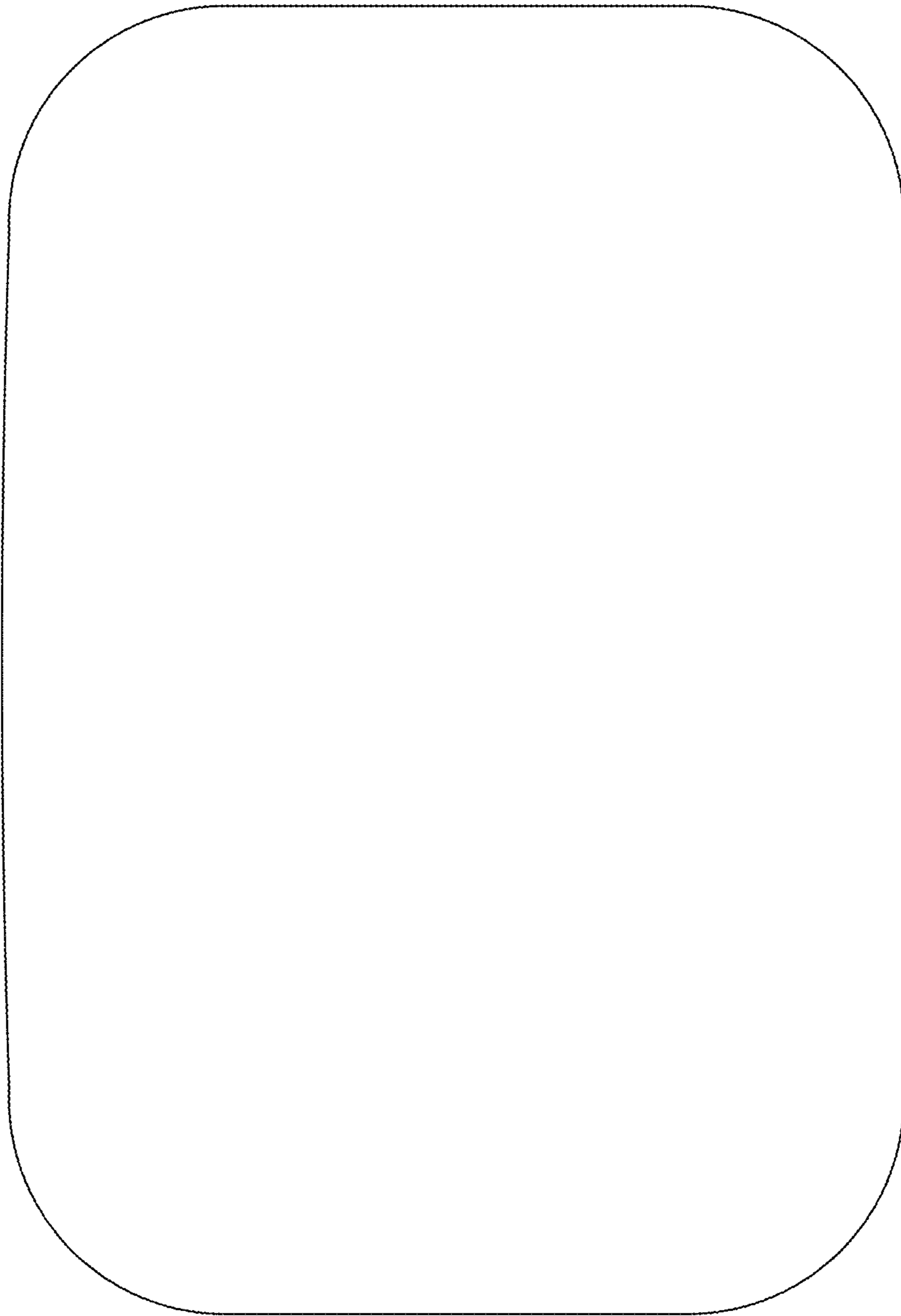


FIG. 6

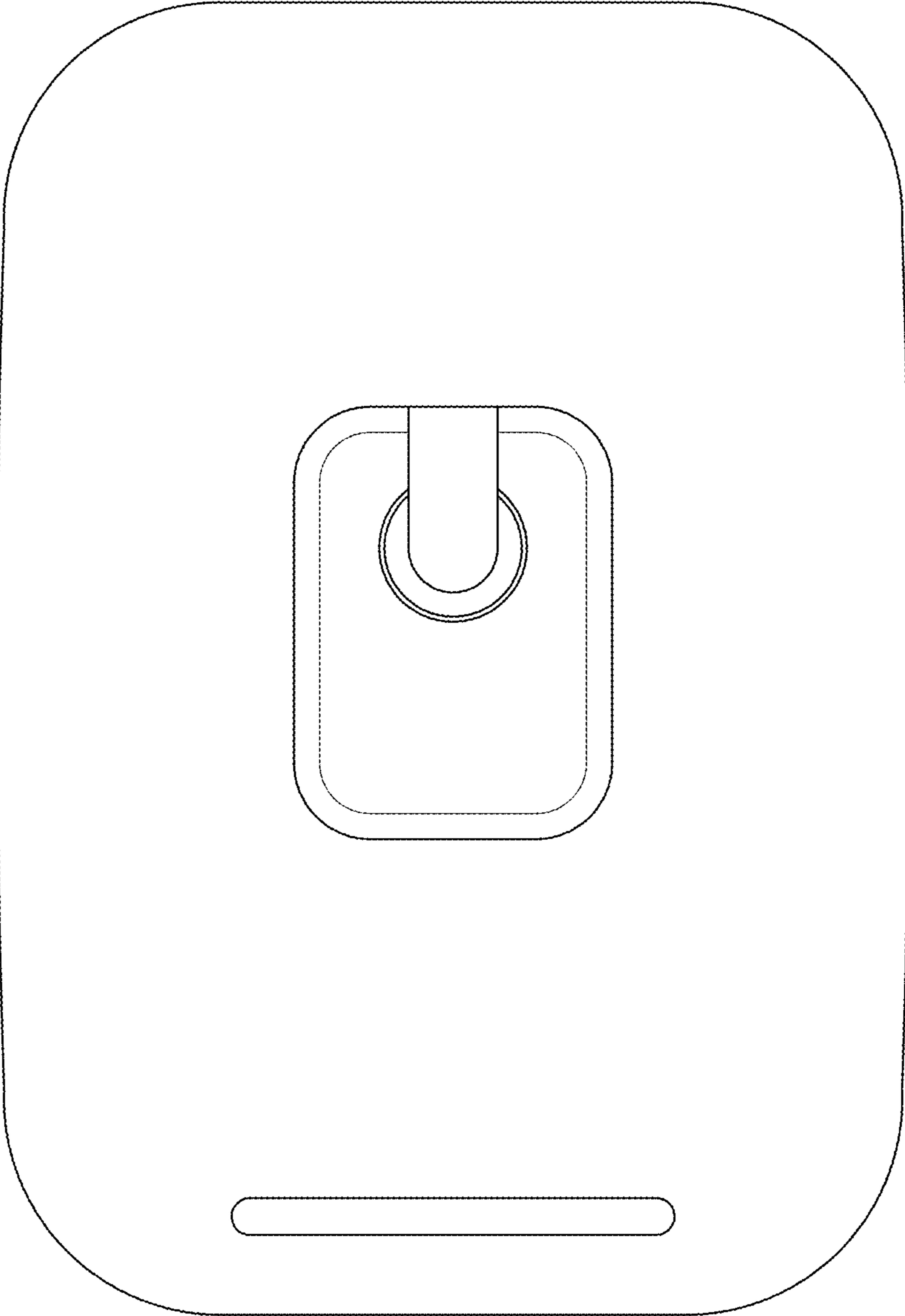


FIG. 7