



US00D770455S

(12) **United States Design Patent** (10) **Patent No.:** **US D770,455 S**
Lee et al. (45) **Date of Patent:** **** Nov. 1, 2016**

(54) **BLUETOOTH DONGLE**

(71) Applicant: **LG ELECTRONICS INC.**, Seoul (KR)

(72) Inventors: **Jonghak Lee**, Seoul (KR); **Eunseok Choi**, Seoul (KR); **Kyubong Choi**, Seoul (KR)

(73) Assignee: **LG Electronics Inc.**, Seoul (KR)

(**) Term: **15 Years**

(21) Appl. No.: **29/534,396**

(22) Filed: **Jul. 28, 2015**

(30) **Foreign Application Priority Data**

Jan. 29, 2015 (KR) 30-2015-0004982

(51) **LOC (10) Cl.** **14-02**

(52) **U.S. Cl.**
USPC **D14/433; D14/155**

(58) **Field of Classification Search**
USPC D14/356, 432-434, 453, 454, 511, D14/203.8, 209.1, 238.1, 240, 125; 439/638, 928, 105, 502; 710/303, 304; 361/679.41, 679.55, 679.56; D13/110, D13/133, 146
CPC .. G06Q 20/202; G06Q 20/322; G06Q 20/32; G06Q 20/20; G06Q 20/327
See application file for complete search history.

(56) **References Cited**

U.S. PATENT DOCUMENTS

D325,581 S * 4/1992 Schwartz D13/168
D488,795 S * 4/2004 Christianson D14/155

D534,150 S * 12/2006 Griffin D14/155
D594,440 S * 6/2009 Hyncek D14/155
D619,558 S * 7/2010 Seil D14/155
D624,920 S * 10/2010 Sheppard D14/435.1
D670,297 S * 11/2012 Huang D14/480.5
D722,584 S * 2/2015 Chen D14/155
D726,681 S * 4/2015 Liu D14/155
D730,904 S * 6/2015 Liu D14/433
D738,347 S * 9/2015 Reimer D14/155
D741,865 S * 10/2015 Sundermeyer D14/433
D746,252 S * 12/2015 Reimer D14/155

* cited by examiner

Primary Examiner — Austin Murphy

(74) *Attorney, Agent, or Firm* — Birch, Stewart, Kolasch & Birch, LLP

(57) **CLAIM**

The ornamental design for a bluetooth dongle, as shown and described.

DESCRIPTION

FIG. 1 is a perspective view of the bluetooth dongle showing our new design;
FIG. 2 is a front view thereof;
FIG. 3 is a rear view thereof;
FIG. 4 is a left side view thereof where the right side view is a mirror image;
FIG. 5 is a top plan view thereof;
FIG. 6 is a bottom plan view thereof;
FIG. 7 is a reference view thereof showing the state that the earphone is attached to the subject design; and,
FIG. 8 is a reference view thereof showing the state that the subject design is attached to the case.
The broken lines depict portions of the bluetooth dongle that form no part of the claimed design.

1 Claim, 7 Drawing Sheets

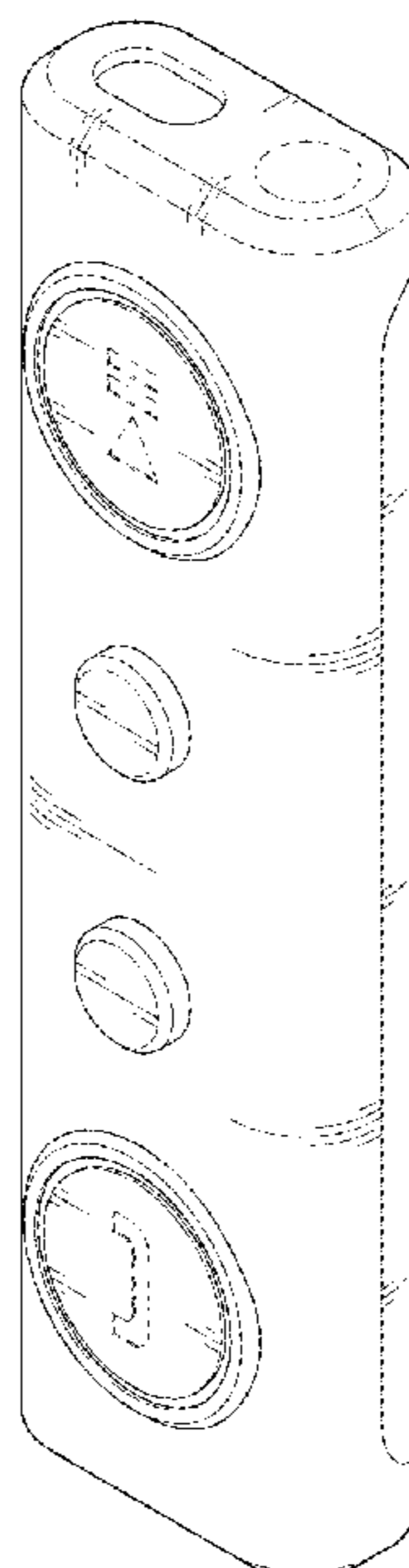


FIG. 1

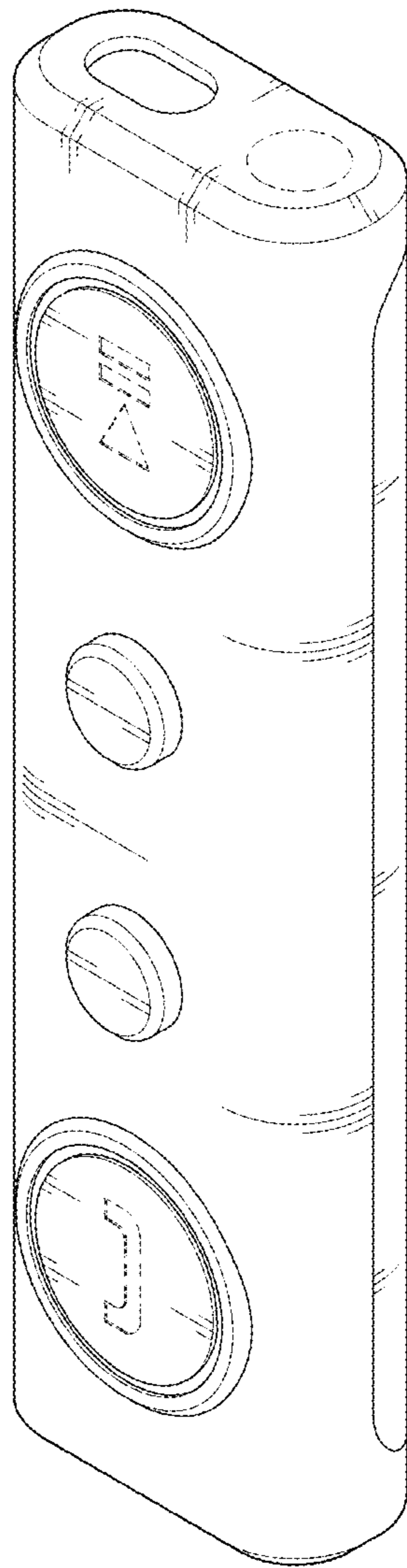


FIG. 2

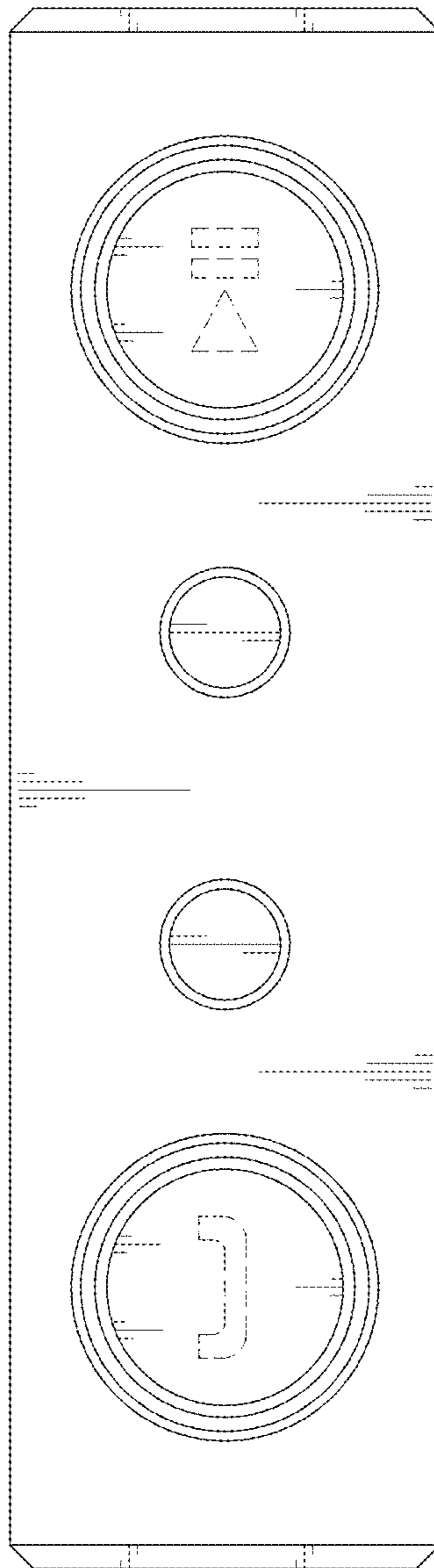


FIG. 3

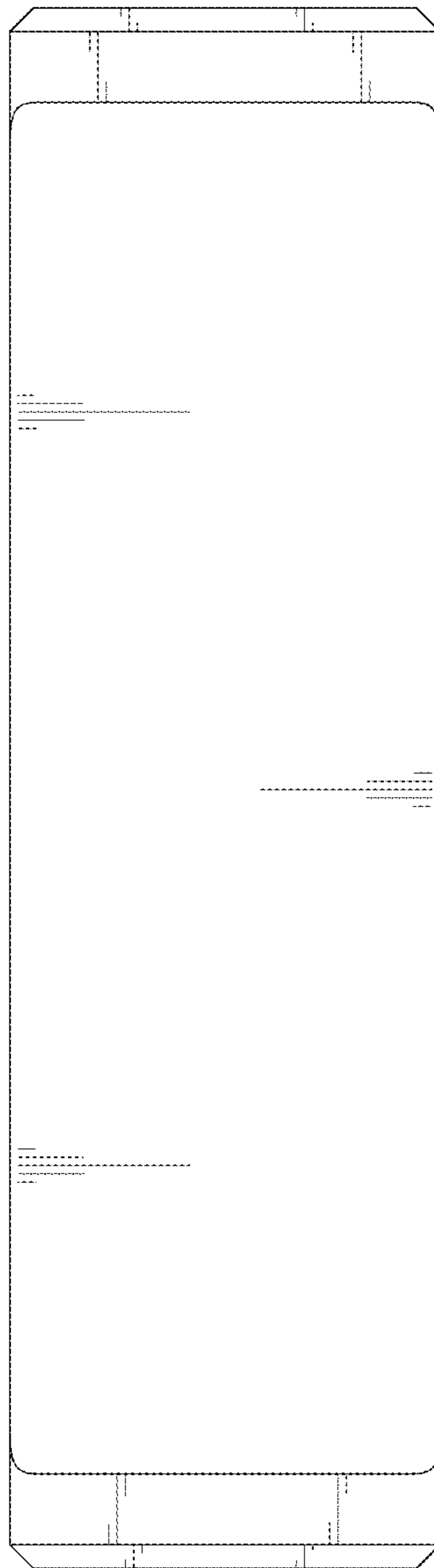


FIG. 4

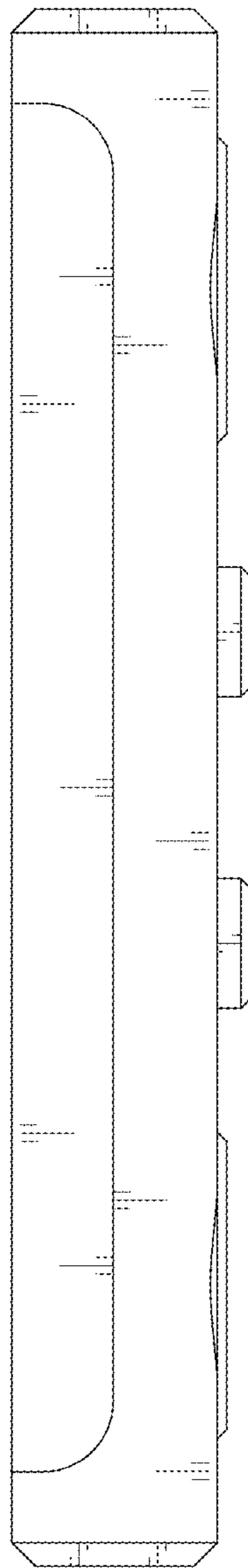


FIG. 5

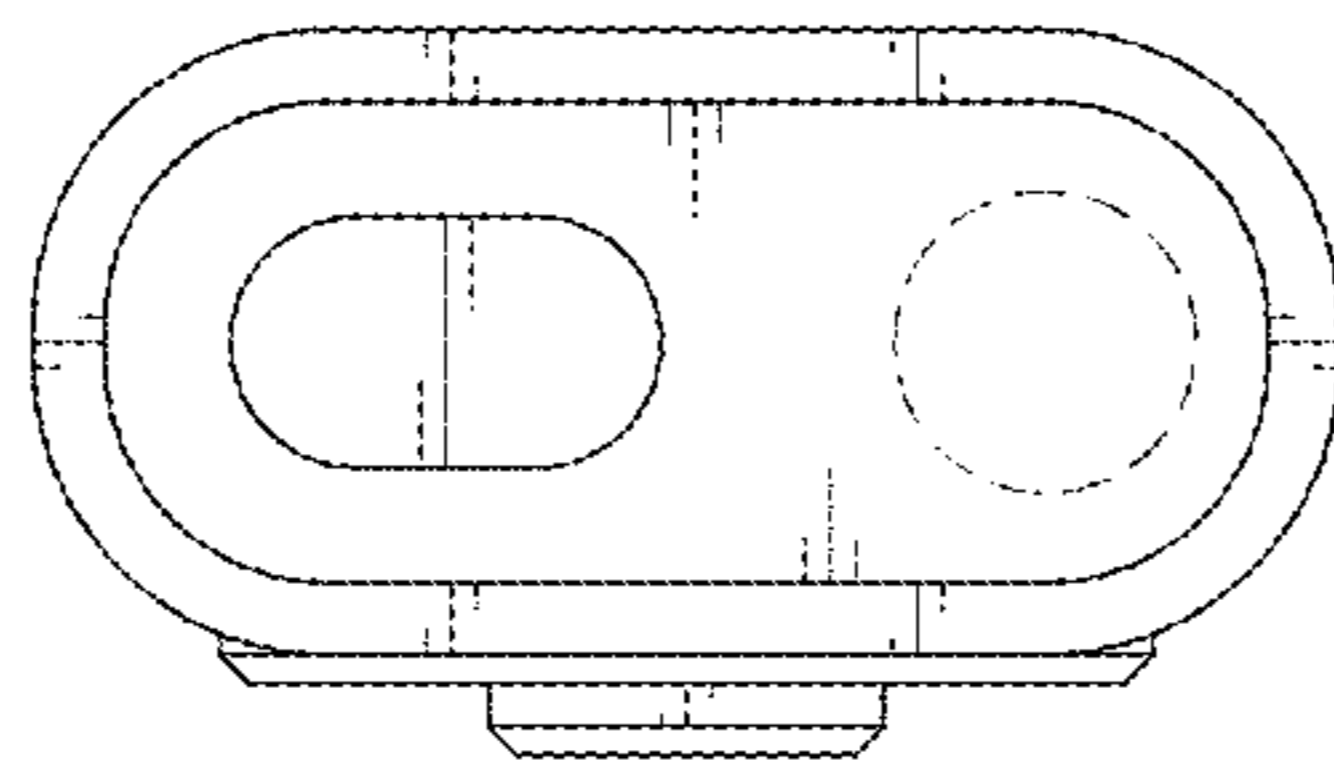


FIG. 6

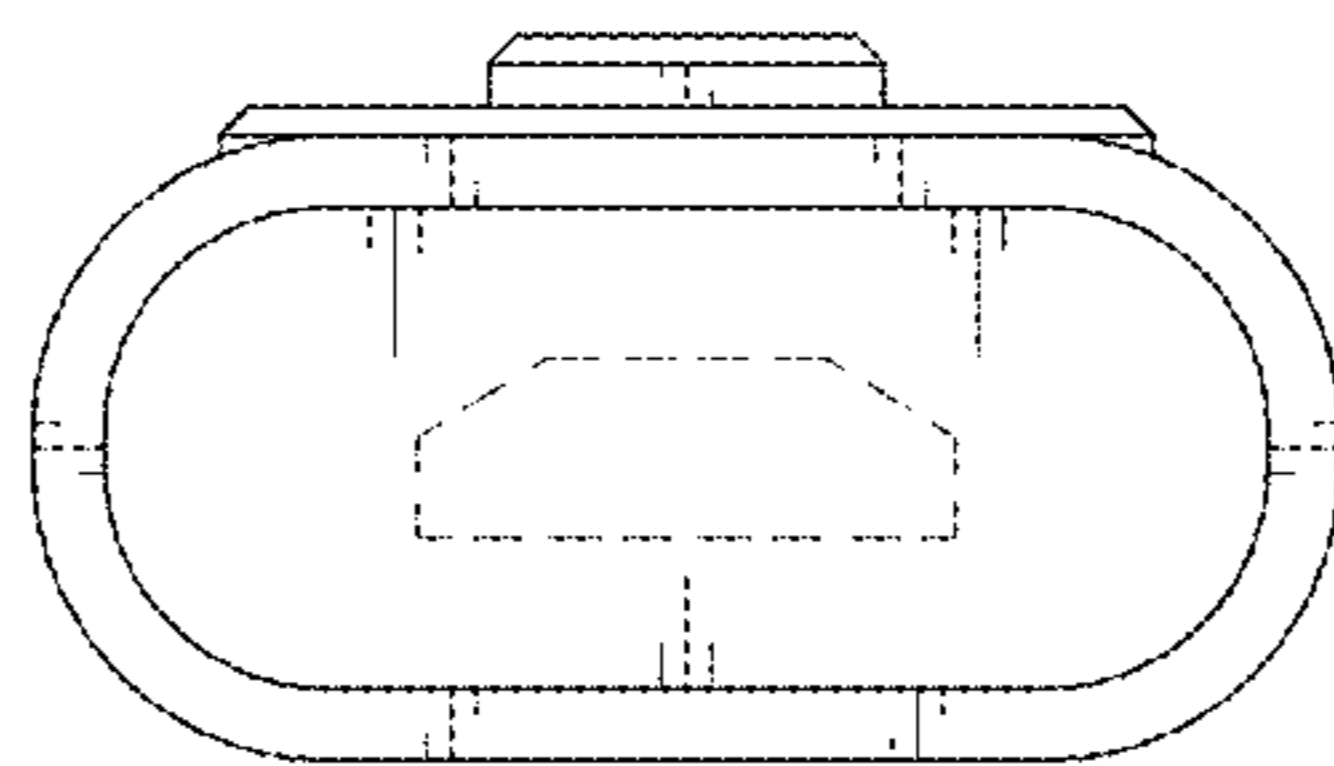


FIG. 7

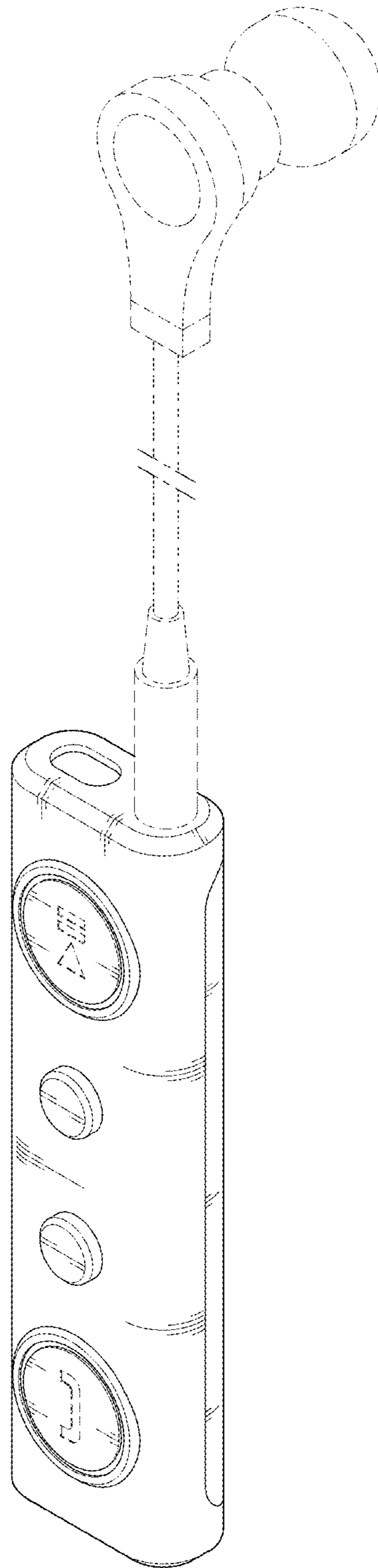


FIG. 8

