



US00D770446S

(12) **United States Design Patent** (10) **Patent No.:** **US D770,446 S**  
**Cho et al.** (45) **Date of Patent:** **\*\* Nov. 1, 2016**

(54) **ELECTRONIC DEVICE**

(71) Applicant: **Samsung Electronics Co., Ltd.**,  
Suwon-si, Gyeonggi-do (KR)

(72) Inventors: **Chul-Yong Cho**, Seoul (KR); **Dae Kyung Ahn**, Seoul (KR); **Sangmin Hyun**, Seoul (KR); **Eun Vit Chung**, Seoul (KR)

(73) Assignee: **SAMSUNG ELECTRONICS CO., LTD.** (KR)

(\*\*) Term: **15 Years**

(21) Appl. No.: **29/545,260**

(22) Filed: **Nov. 11, 2015**

**Related U.S. Application Data**

(63) Continuation of application No. 29/462,289, filed on Aug. 1, 2013, now Pat. No. Des. 745,001.

(30) **Foreign Application Priority Data**

Feb. 1, 2013 (KR) ..... 30-2013-0005876

(51) **LOC (10) Cl.** ..... **14-02**

(52) **U.S. Cl.**  
USPC ..... **D14/341**

(58) **Field of Classification Search**  
USPC ..... D14/315-318, 341-347, 420, 426, 129,  
D14/130, 496, 137, 138 R, 138 AA, 138 C,  
D14/138 G, 147, 203.1, 203.3, 204.4, 203.7,  
D14/218, 248, 388, 389; D10/50, 65, 104.1;  
D21/329, 330; D6/308, 310  
CPC .. G06F 3/0485; G06F 3/0488; G06F 1/1613;  
G06F 1/1624; G06F 1/1626; G06F 1/165;  
H04M 1/0202; H04M 1/0264; H04M 1/0214;  
H04M 1/0279; H04M 1/0281; H04M 1/0283;  
H04M 1/72544

See application file for complete search history.

(56) **References Cited**

U.S. PATENT DOCUMENTS

D347,832 S *	6/1994	Kaye .....	D14/389
5,987,704 A *	11/1999	Tang .....	G06F 1/1681 16/342
D425,558 S	5/2000	Tarpenning et al.	
D534,545 S *	1/2007	Leija .....	D14/496
D591,283 S *	4/2009	Luminosu .....	D14/318
D641,016 S *	7/2011	Takahashi .....	D14/341
D649,966 S	12/2011	Chiu	
D656,137 S	3/2012	Chung et al.	
D665,799 S	8/2012	Massaro	

(Continued)

*Primary Examiner* — Barbara Fox

*Assistant Examiner* — Dana K Weiland

(74) *Attorney, Agent, or Firm* — Cantor Colburn LLP

(57) **CLAIM**

We claim the ornamental design for an electronic device, as shown and described.

**DESCRIPTION**

FIG. 1 is a front perspective view of an electronic device showing our new design;

FIG. 2 is a front view thereof;

FIG. 3 is a rear view thereof;

FIG. 4 is a left-side view thereof;

FIG. 5 is a right-side view thereof;

FIG. 6 is the top plan view thereof;

FIG. 7 is the bottom plan view thereof;

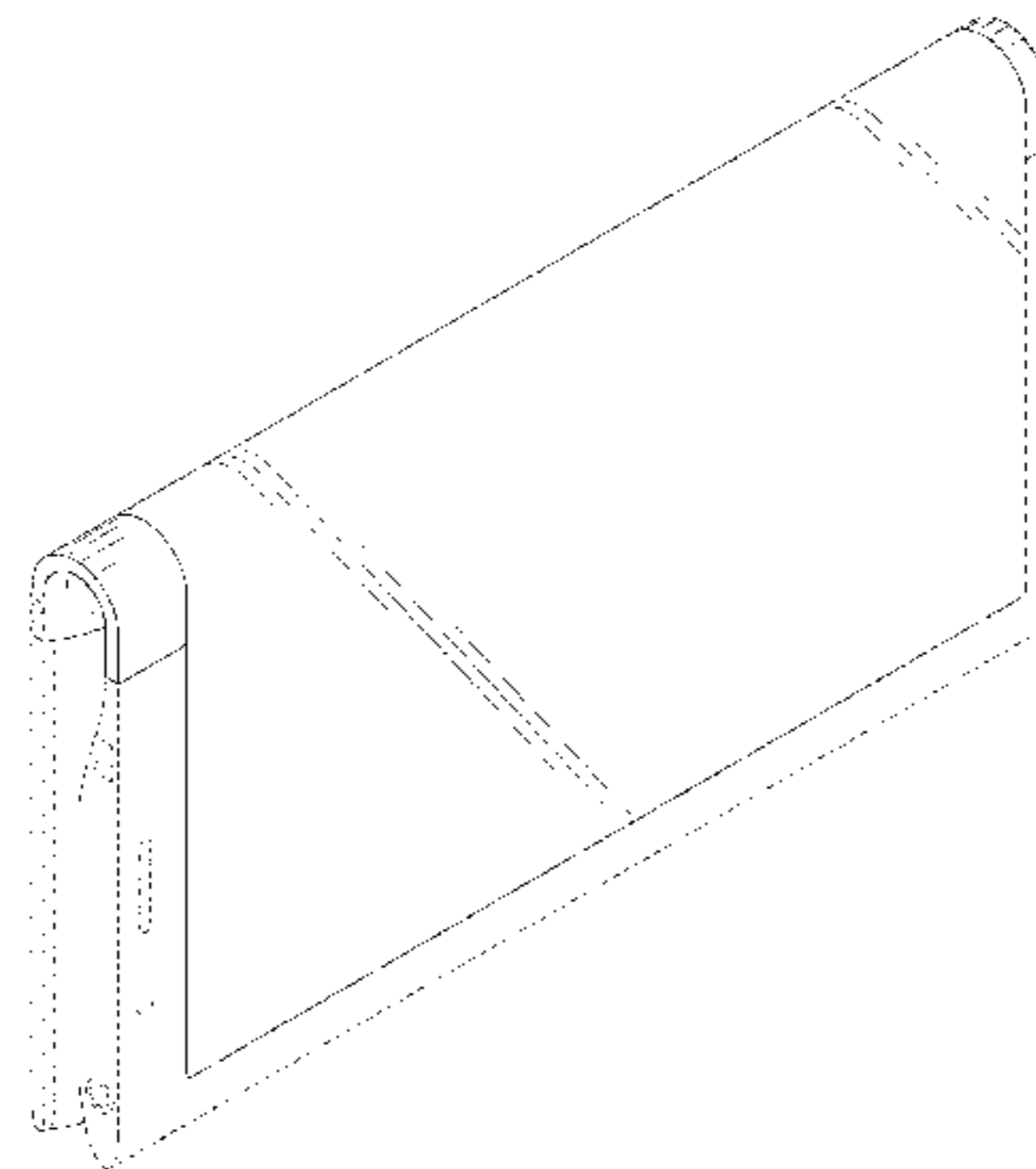
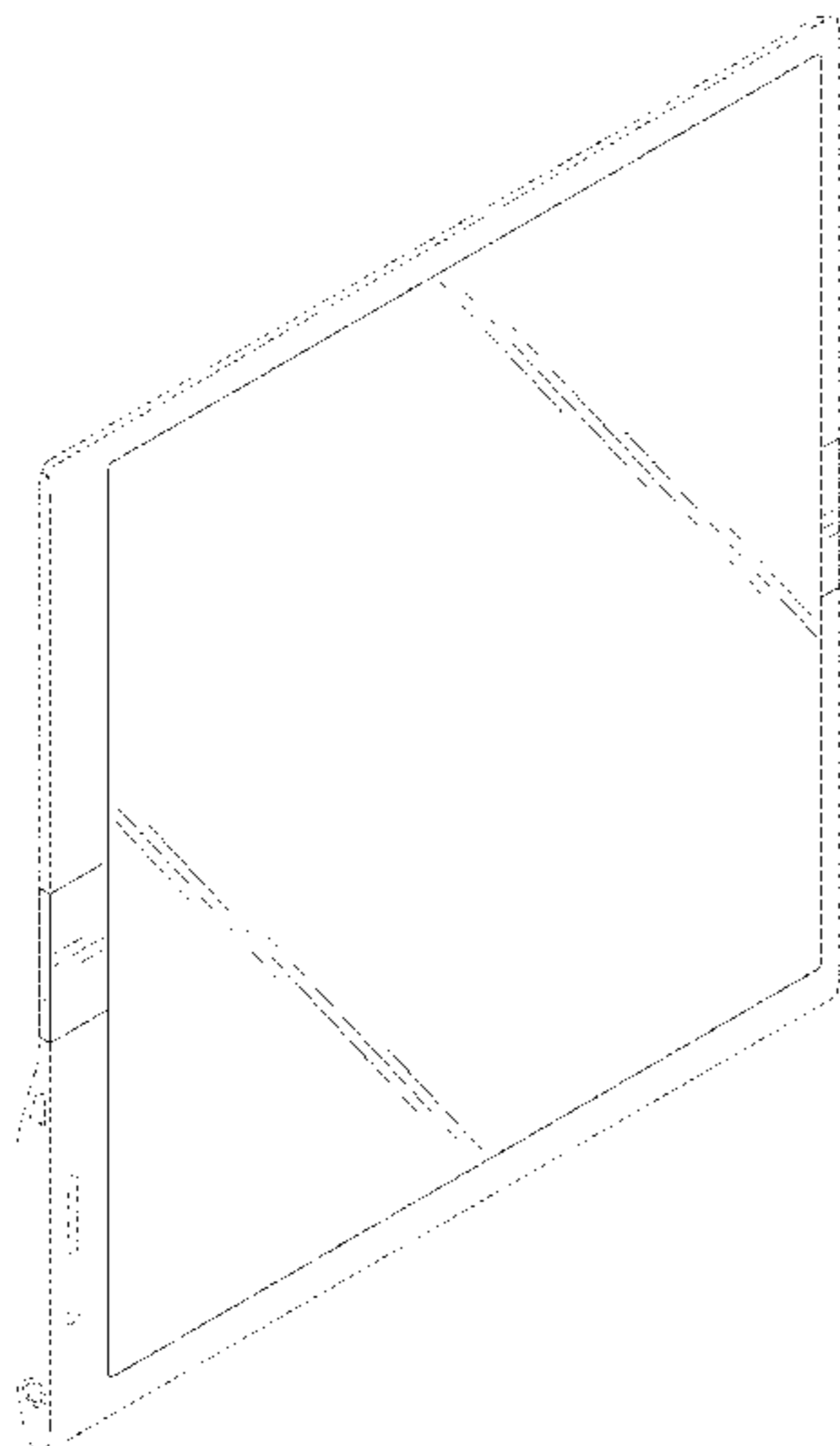
FIG. 8 is a perspective view thereof, with the electronic device being folded;

FIG. 9 is a left side view thereof, with the electronic device being folded; and,

FIG. 10 is a back perspective view thereof, with the stand popped out.

The broken lines shown in the drawings illustrate portions of the electronic device that form no part of the claimed design.

**1 Claim, 9 Drawing Sheets**



(56)

**References Cited**

U.S. PATENT DOCUMENTS

D675,613 S	2/2013	Chu et al.					
D676,044 S *	2/2013	Nakagawa .....	D14/341				
D680,529 S	4/2013	Reeves et al.					
D681,054 S	4/2013	Koh et al.					
D691,132 S *	10/2013	Sharma .....	D14/341				
D691,980 S *	10/2013	Park .....	D14/138 G				
D695,287 S *	12/2013	Chang .....	D14/315				
D699,240 S	2/2014	Kim et al.					
D708,606 S	7/2014	Kim					
D709,492 S	7/2014	Ahn et al.					
D710,354 S	8/2014	Ahn et al.					
D711,871 S *	8/2014	Daniel .....	D14/341				
D714,286 S	9/2014	Kim et al.					
D718,308 S	11/2014	Nishizawa					
				D719,540 S	12/2014	Lee et al.	
				D721,670 S	1/2015	Lee et al.	
				D723,541 S *	3/2015	Sohn .....	D14/315
				D723,542 S *	3/2015	Sohn .....	D14/315
				D724,064 S *	3/2015	Lee .....	D14/248
				D745,001 S *	12/2015	Cho .....	D14/341
				D749,542 S *	2/2016	Ahn .....	D14/204
				D749,572 S *	2/2016	Park .....	D14/345
				2012/0262870 A1	10/2012	Leung	
				2013/0010405 A1	1/2013	Rothkopf et al.	
				2015/0022472 A1 *	1/2015	Jung .....	G06F 3/0487 345/173
				2016/0070306 A1 *	3/2016	Shin .....	G06F 1/1652 361/679.27
				2016/0128182 A1 *	5/2016	Park .....	H05K 1/0283 174/254

\* cited by examiner

FIG. 1

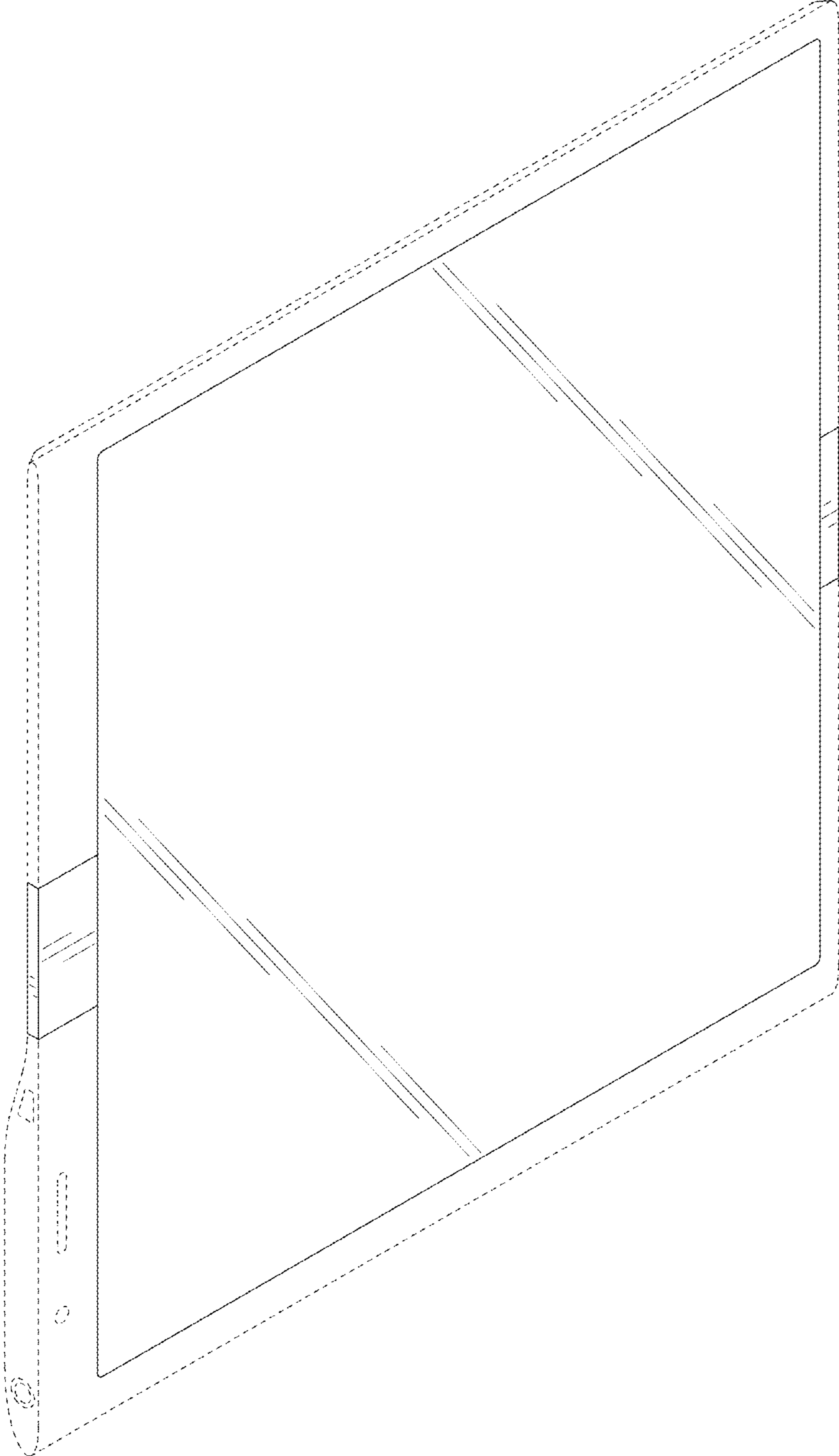


FIG. 2

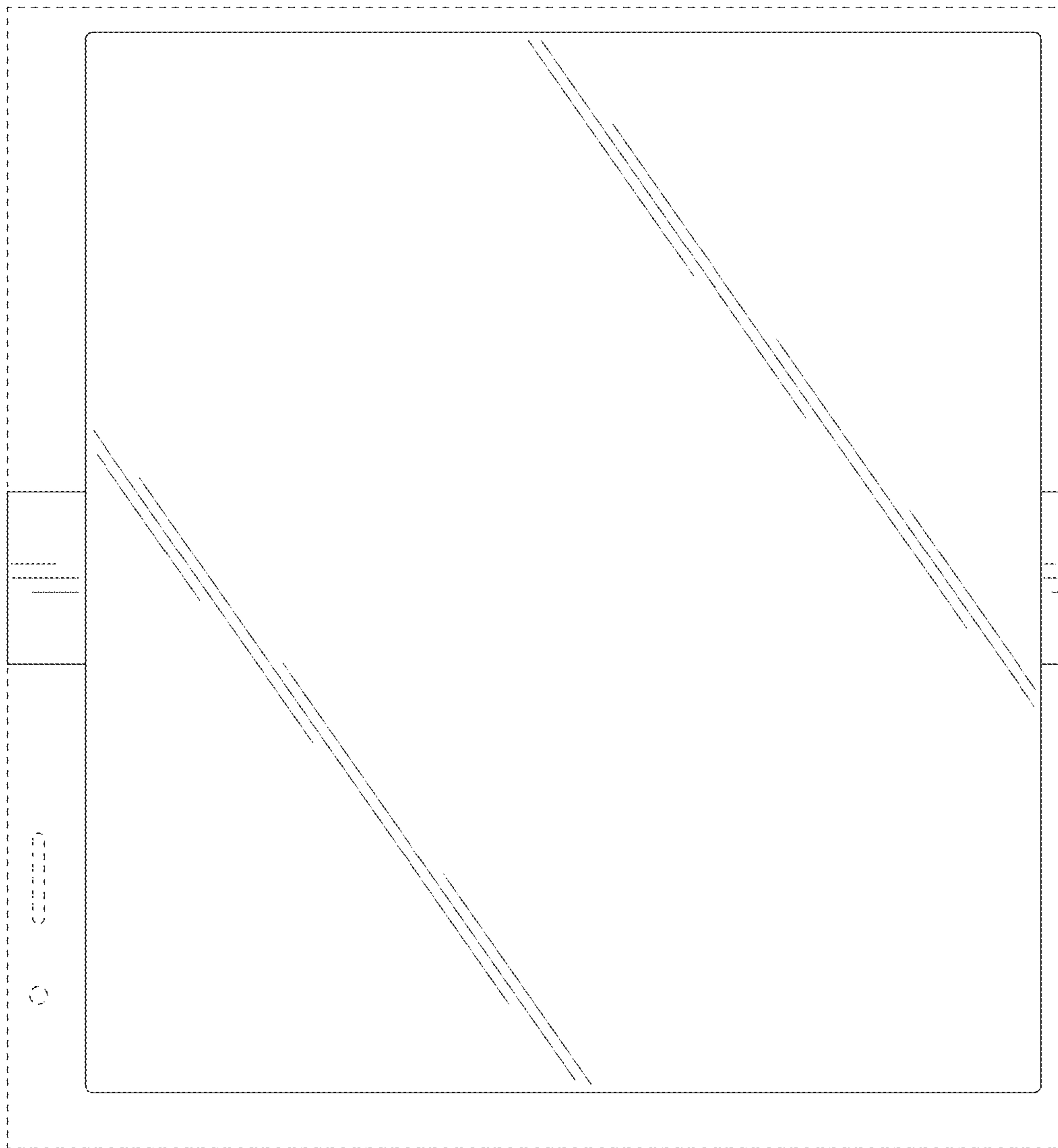


FIG. 3

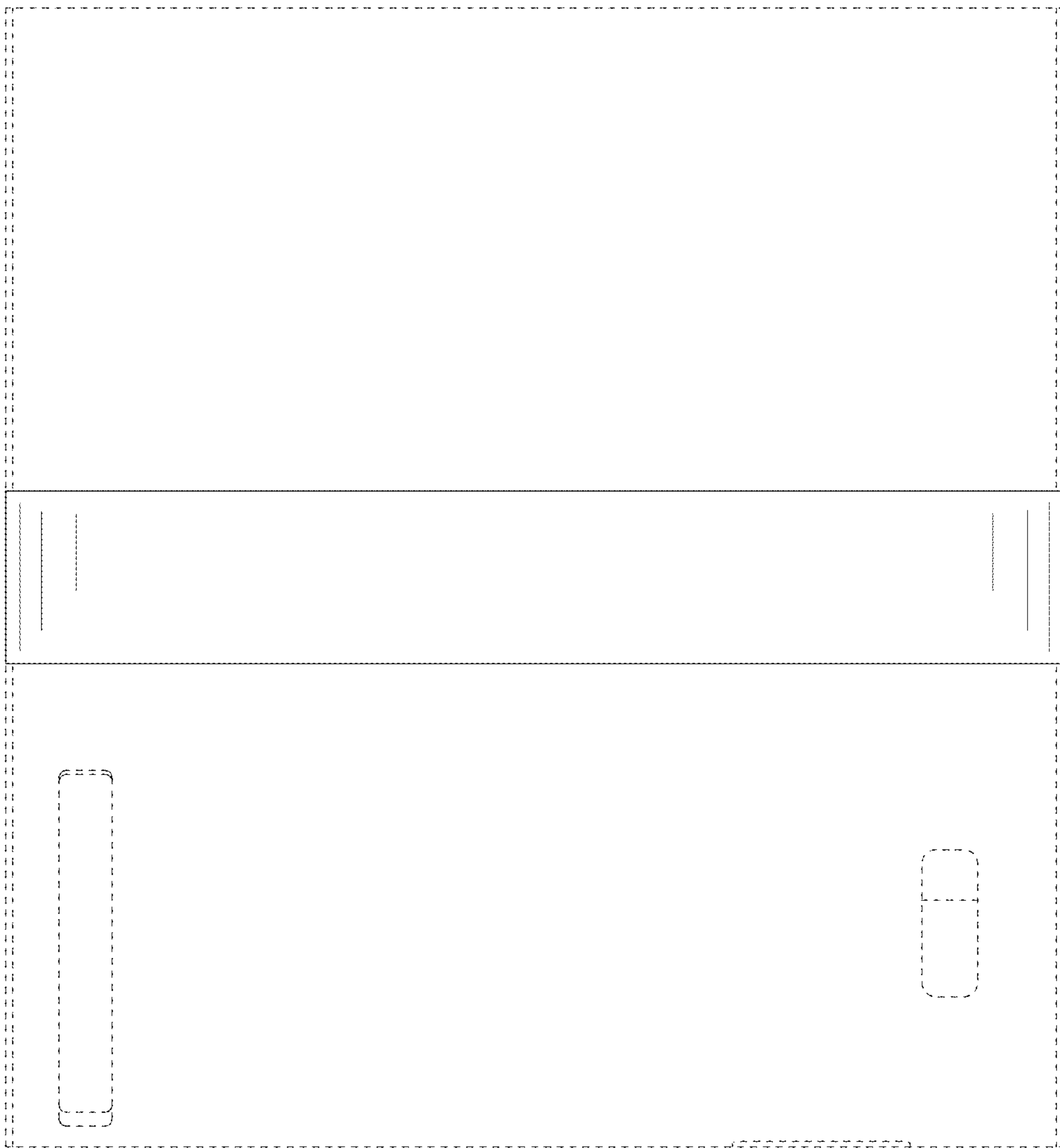


FIG. 4

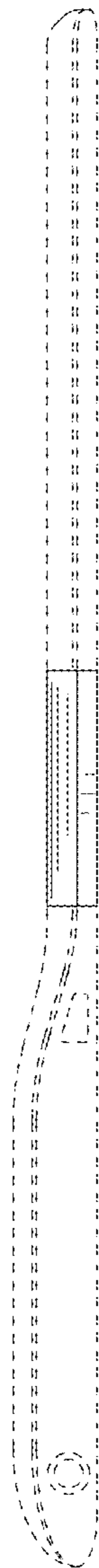


FIG. 5

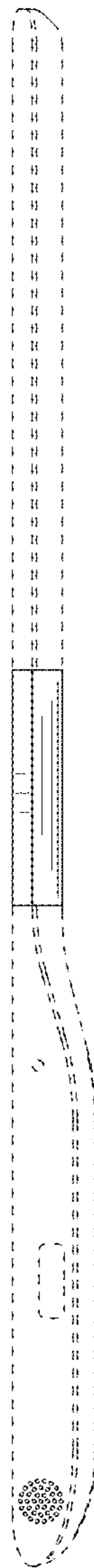


FIG. 6

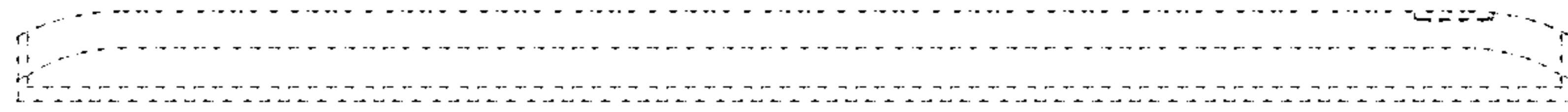


FIG. 7

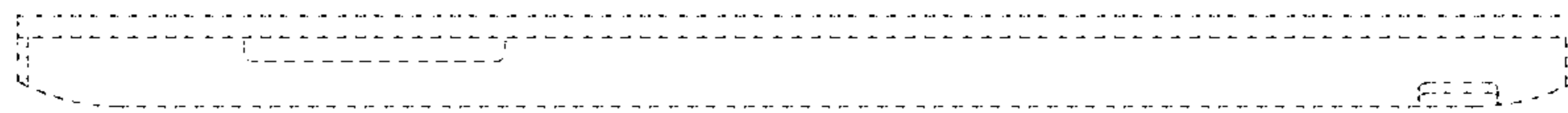




FIG. 8

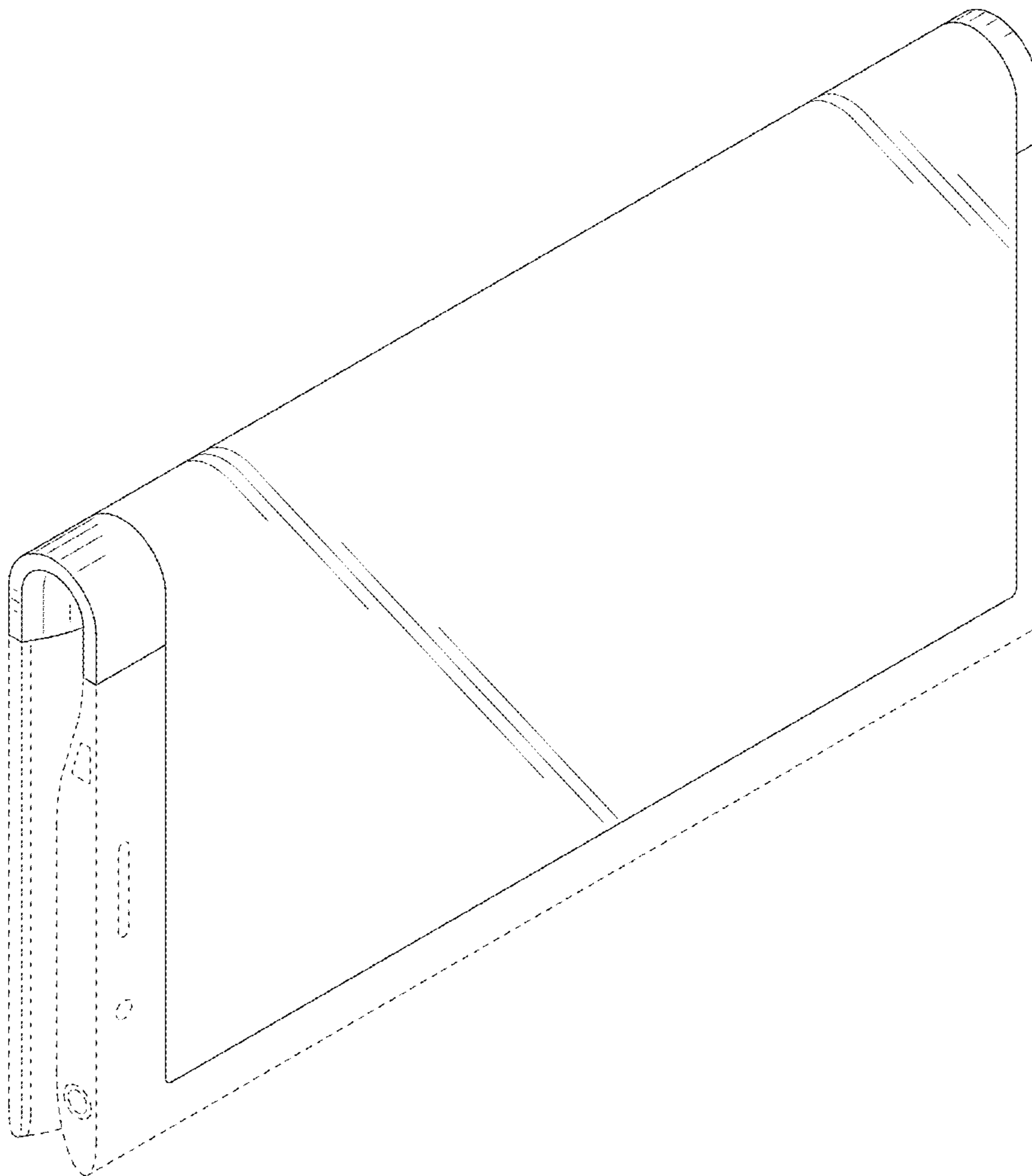


FIG. 9

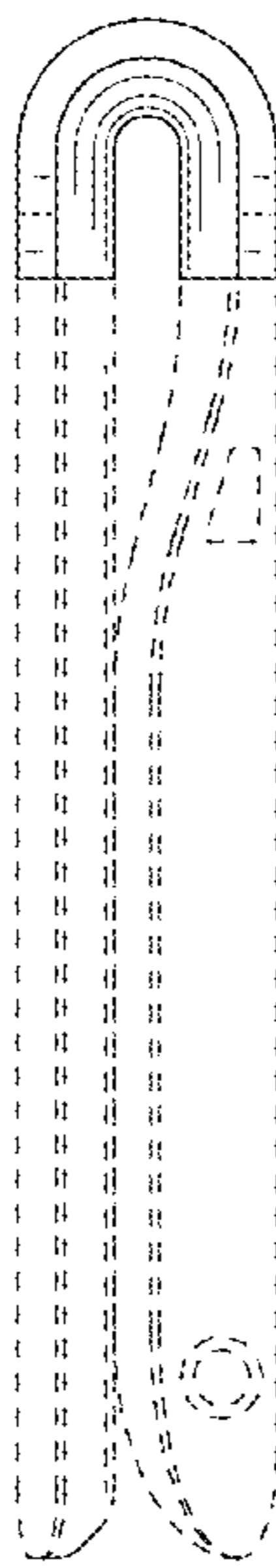


FIG. 10

