



US00D770443S

(12) **United States Design Patent** (10) **Patent No.:** **US D770,443 S**
Francis et al. (45) **Date of Patent:** **** Nov. 1, 2016**

(54) **WEARABLE ELECTRONIC DISPLAY DEVICE**

G04B 37/0008; G04B 37/12; G04B 37/1486;
G04G 17/08; G09F 3/005; H04M 1/0268
See application file for complete search history.

(71) Applicant: **Intel Corporation**, Santa Clara, CA (US)

(56) **References Cited**

(72) Inventors: **Mark R. Francis**, Portland, OR (US);
Maria Pitallano, Santa Clara, CA (US);
Gregory A. Peek, North Plains, OR (US);
Andy S. Idsinga, Portland, OR (US);
Mark Pontarelli, Lake Oswego, OR (US);
Katie Dill, San Francisco, CA (US);
Gordon A. Wilde, Lake Oswego, CA (US);
James Dorenkamp, Portland, OR (US);
Xiaoxia Li, Beijing (CN)

U.S. PATENT DOCUMENTS

4,972,684 A * 11/1990 Aitken 63/8
D363,271 S 10/1995 Peterson

(Continued)

OTHER PUBLICATIONS

Intel MICA (the gadgeteer), available Nov. 21, 2014, [online], [site visited Jun. 9, 2015]. Available from internet, <URL: <http://the-gadgeteer.com/2014/11/21/intel-introduces-mica-for-the-stylish-connected-woman/>>.*

(Continued)

(73) Assignee: **Intel Corporation**, Santa Clara, CA (US)

Primary Examiner — Cathron Brooks

Assistant Examiner — Teddy Falloway

(**) Term: **14 Years**

(74) *Attorney, Agent, or Firm* — International IP Law Group, P.L.L.C.

(21) Appl. No.: **29/477,908**

(22) Filed: **Dec. 28, 2013**

(51) **LOC (10) Cl.** **14-02**

(52) **U.S. Cl.**

USPC **D14/341**; D14/344

(58) **Field of Classification Search**

USPC D14/315–318, 341–344, 129, 130, 496,
D14/137, 138 R, 138 AA, 138 C, 138 G,
D14/138 AB, 147, 203.1, 203.3, 203.4,
D14/203.7, 247, 389; D6/300–302, 308,
D6/310, 312, 332; D18/6, 7; D21/324,
D21/329, 330, 332, 478–480, 484, 491, 492,
D21/500–502; 455/556.2, 566; 379/916,
379/433.04, 433.1; 345/901, 905, 173;
361/679.26, 679.3, 679.55, 679.56;
D25/48.4, 58; 297/17, 16.1, 45;
D20/10, 21; 52/234; 160/118;
D10/30–33, 38, 39, 1, 2, 6, 15, 21, 24,
D10/25, 27, 28; D11/1–8, 19–25, 11–13,
D11/93, 94; 368/281, 282, 295, 276, 277;
63/3, 3.1, 7, 1.13

CPC A44C 5/0007; A44C 5/0015;
A44C 5/0084; A44C 5/00; A44C 5/102;
A44C 5/2066; A44C 5/2076; A44C 5/24;
A44C 9/0053; H04B 1/385; H04B 2001/3861;

(57) **CLAIM**

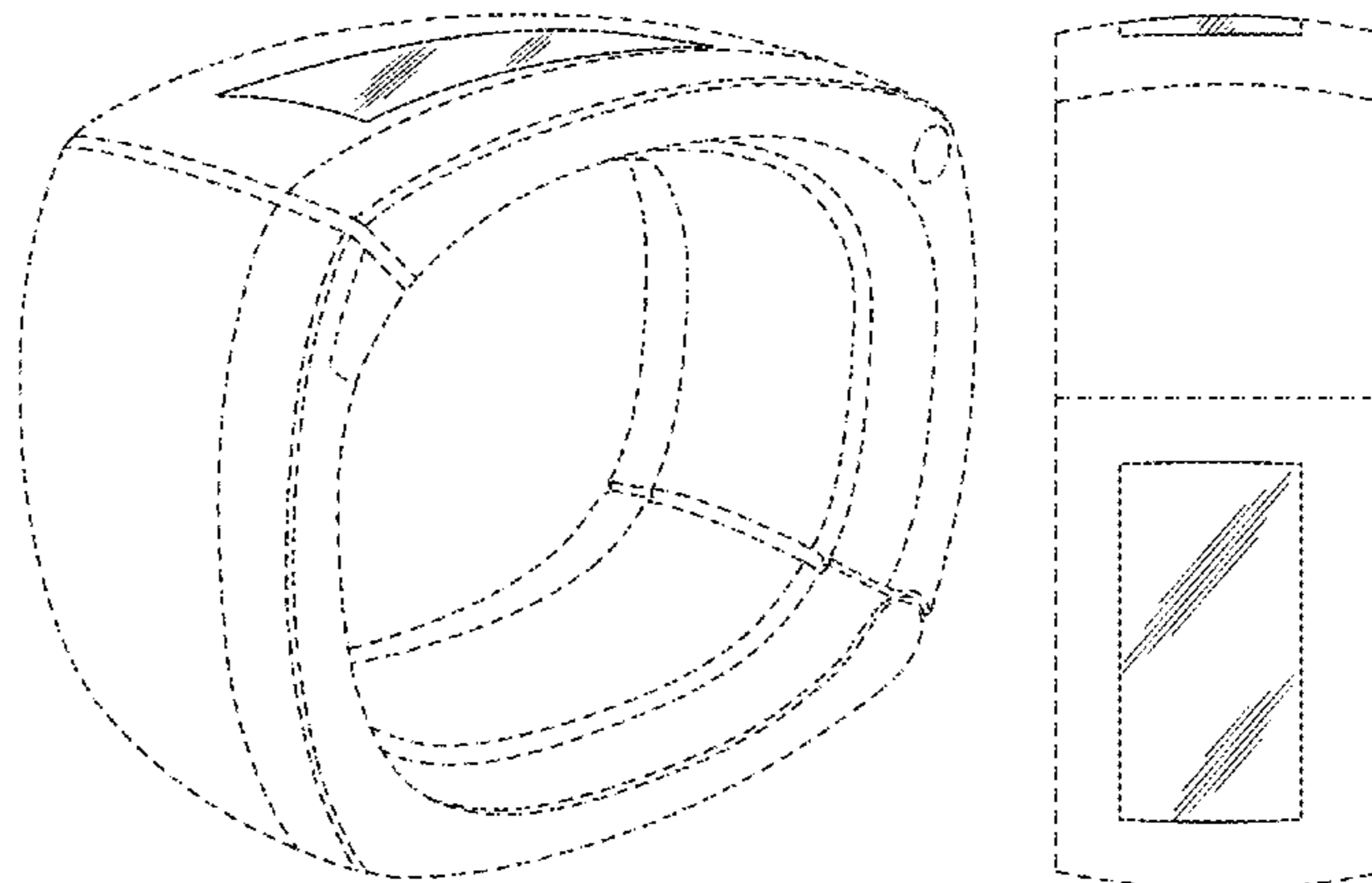
The ornamental design for a wearable electronic display device, as shown and described in FIGS. 1-12.

DESCRIPTION

FIG. 1 is a left front perspective view of a wearable electronic display device;
FIG. 2 is a right front perspective view thereof;
FIG. 3 is a bottom front perspective view thereof;
FIG. 4 is a rear view thereof;
FIG. 5 is a top front perspective view thereof; and
FIG. 6 is a left side elevation thereof.
FIG. 7 is a right front perspective view of a wearable electronic display device of FIG. 1, shown in an alternate position;
FIG. 8 is a top perspective view of FIG. 7;
FIG. 9 is a side elevation thereof;
FIG. 10 is a top view thereof;
FIG. 11 is a bottom view thereof; and
FIG. 12 is an alternative perspective view thereof.

The broken lines shown are included for the purpose of illustrating portions of the wearable electronic display device that form no part of the claimed design. Line shading represents contours and not surface ornamentation.

1 Claim, 12 Drawing Sheets



(56)

References Cited

U.S. PATENT DOCUMENTS

- D388,333 S * 12/1997 Wunderman D10/32
D405,381 S * 2/1999 Perrin et al. D11/4
D413,531 S * 9/1999 Philippe D10/32
D442,508 S * 5/2001 Torres D11/4
D451,116 S * 11/2001 Kono et al. D16/202
D456,296 S * 4/2002 Ambar D11/4
D457,087 S * 5/2002 Torres D11/4
D457,088 S * 5/2002 Torres D11/4
D471,471 S * 3/2003 Fu et al. D10/32
D526,885 S * 8/2006 Kellegan D8/356
D543,192 S * 5/2007 Jung D14/138 R
D556,194 S * 11/2007 Rambosek et al. D14/480.3
D558,198 S * 12/2007 Blankenship et al. D14/480.5
D565,427 S * 4/2008 Ellner et al. D10/31
D567,227 S * 4/2008 Hada D14/218
D568,768 S * 5/2008 Tang D10/30
D576,501 S * 9/2008 Tang D10/32
D589,374 S * 3/2009 Tang D10/32
D643,428 S * 8/2011 Janky et al. D14/358
D661,275 S * 6/2012 Roka D14/138 R
D703,069 S * 4/2014 Adams et al. D10/31
D710,220 S * 8/2014 Daniel D10/70
D710,235 S * 8/2014 Rummonds D11/2
D713,281 S * 9/2014 Chen et al. D11/3
D714,179 S * 9/2014 Park et al. D11/3
D721,599 S * 1/2015 Gruosi D10/32
D721,701 S * 1/2015 Al-Nasser D14/344
D724,468 S * 3/2015 Tan et al. D11/3
D726,572 S * 4/2015 Walters et al. D11/3
D727,194 S * 4/2015 Wilson D11/3
D729,650 S * 5/2015 Phillips et al. D10/70
D729,651 S * 5/2015 Nuovo et al. D10/70
D730,347 S * 5/2015 Jung et al. D14/344
9,152,129 B2 * 10/2015 Modaragamage A44C 5/24
D750,070 S * 2/2016 Magi D14/344
D750,623 S * 3/2016 Park D10/38
D751,069 S * 3/2016 Choi D10/32
D752,042 S * 3/2016 Fujita D10/38
D752,580 S * 3/2016 Choi D10/32
D752,582 S * 3/2016 Jung D14/138 R
D753,108 S * 4/2016 Kuwabara D11/26
D753,625 S * 4/2016 Young D14/203.5
D753,654 S * 4/2016 Eastwood D11/4
D754,127 S * 4/2016 Jung D14/344
D755,176 S * 5/2016 Jung D14/344
D755,177 S * 5/2016 Jung D14/344
2003/0174589 A1 * 9/2003 Kawamata et al. 368/282
2006/0203621 A1 * 9/2006 Brodmann 368/281
2006/0219742 A1 * 10/2006 Chen 224/148.4
2008/0236195 A1 * 10/2008 Woebke 63/1.14
2011/0209374 A1 * 9/2011 Padgett et al. 40/633
2012/0036893 A1 * 2/2012 Forero et al. 63/3
2012/0182677 A1 * 7/2012 Seo 361/679.01
2012/0201104 A1 * 8/2012 Amenduni Gresele 368/239
2012/0318019 A1 * 12/2012 Cho 63/3.2
2013/0104599 A1 * 5/2013 Beldiman 63/1.14
2014/0049946 A1 * 2/2014 Schrimmer 362/103
2014/0298858 A1 * 10/2014 Chang et al. 63/1.13
2014/0318180 A1 * 10/2014 Cabe 63/5.1
2015/0065204 A1 * 3/2015 Sung et al. 455/573
2015/0085623 A1 * 3/2015 Modaragamage 368/10

OTHER PUBLICATIONS

Bowflex Boost Fitness Band, available Aug. 24, 2013, [online], [site visited Jun. 11, 2015]. Available from internet, <URL: <http://technabob.com/blog/2013/08/24/bowflex-boost-fitness-band/>>.*

Samsung Gear Fit, available Feb. 24, 2014, [online], [site visited Jun. 11, 2015]. Available from internet, <URL: <http://www.talkandroid.com/197629-samsung-announces-gear-fit-fitness-band/>>.*

Samsung Smartwatch, available Aug. 19, 2013, [online], [site visited Jun. 11, 2015]. Available from internet, <URL: <http://blog.laptopmag.com/samsung-smartwatch-specs-rumor/>>.*

Puls, available Oct. 10, 2014, [online], [site visited Jun. 11, 2015]. Available from internet, <URL: <http://www.dezeen.com/2014/10/20/will-i-am-zaha-hadid-puls-smartwatch-cuff/>>.*

Carunda24 wrist band, available Oct. 8, 2013, [online], [site visited Jun. 11, 2015]. Available from internet, <URL: <http://www.dpaonthenet.net/article/62365/Crowdfunding-sought-for-novel-BP-monitoring-wrist-band.aspx>>.*

Philippe Starck Fossil Watch, available Apr. 11, 2006, [on line], [site visited Jan. 11, 2016]. Available from internet, <URL: http://www.storm-from-the-east.com/2006/04/starck_watch_up.html>, 2 pages.

Bar Watch, available Jun. 3, 2013, [on line], [site visited Jan. 11, 2016]. Available from internet, <URL: <http://blog.tokyoflash.com/2013/06/03/bar-watch-bold-e-paper-watch-design/>>, 10 pages.

Pedometer wrist watch, available May 8, 2014, [on line], [site visited Jan. 11, 2016]. Available from internet, <URL: <http://www.chipchick.com/2014/05/pedometer-wrist-watch.html>>, 4 pages.

Phosphor DH03 Digital Watch, available Feb. 25, 2010, [on line], [site visited Jan. 11, 2016]. Available from internet, <URL: http://www.amazon.com/gp/product/B002NU6LT4/ref=as_li_ss_tl?ie=UTF8&camp=1789&creative=390957&creativeASIN=B002NU6LT4&linkCode=as2&tag=arctpala-20>, 6 pages.

TIMA watch concept, available Apr. 29, 2009, [on line], [site visited Jun. 11, 2015]. Available from internet, <URL: <http://www.webdesignerdepot.com/2009/04/100-amazing-futuristic-design-concepts-w-wish-were-real/>>, 1 page.

Apple iWatch concept, available Feb. 18, 2013, [on line], [site visited Jan. 11, 2016]. Available from internet, <URL: <http://www.cultofmac.com/216376/imagining-an-apple-iwatch-with-a-curved-glass-display-concepts/>>, 15 pages.

Phosphor World Time Watch, available Dec. 20, 2010, [on line], [site visited Jan. 11, 2016]. Available from internet, <URL: <http://www.ablogtowatch.com/phosphor-world-time-watch-review/>>, 7 pages.

* cited by examiner

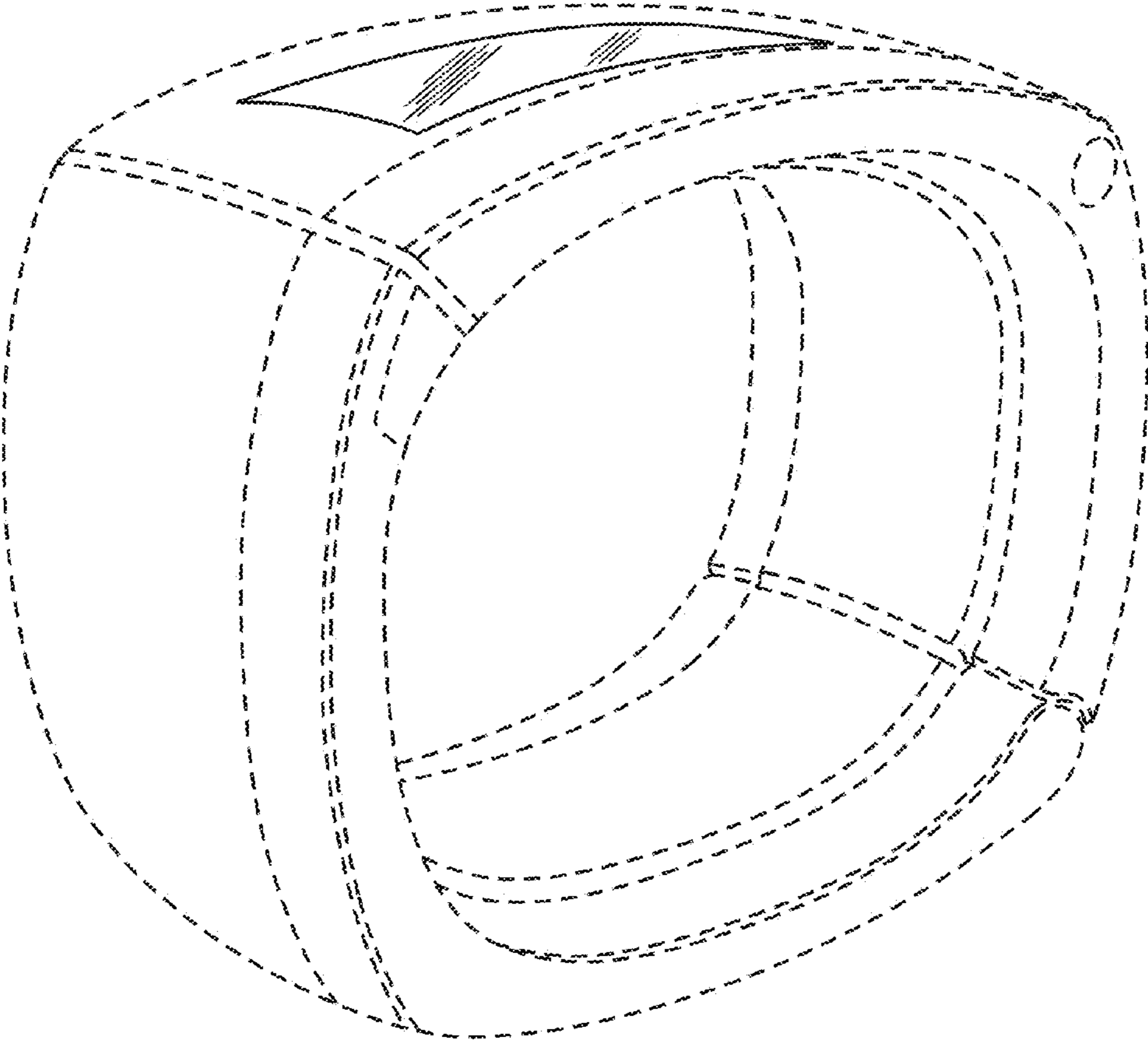


FIG. 1

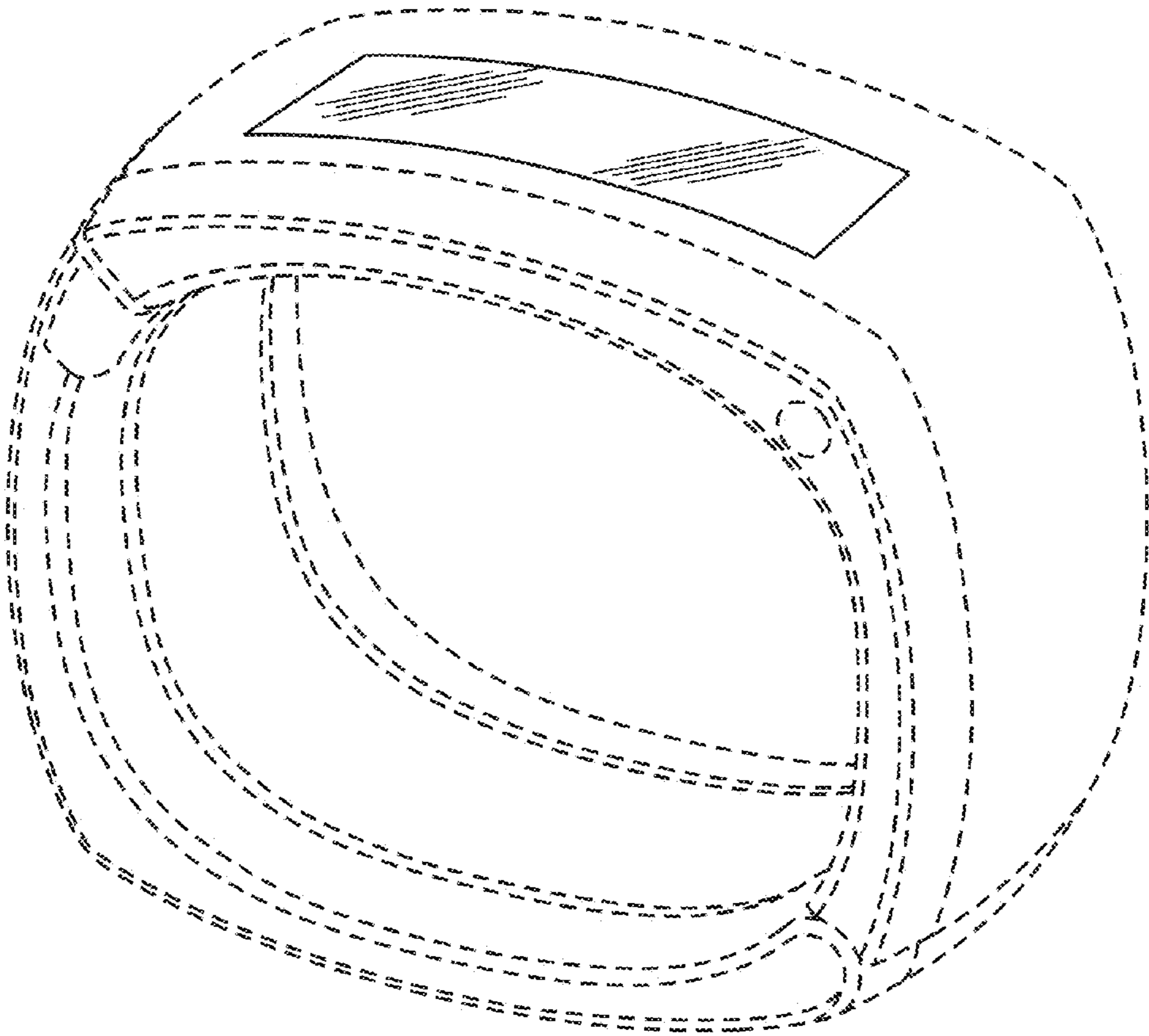


FIG. 2

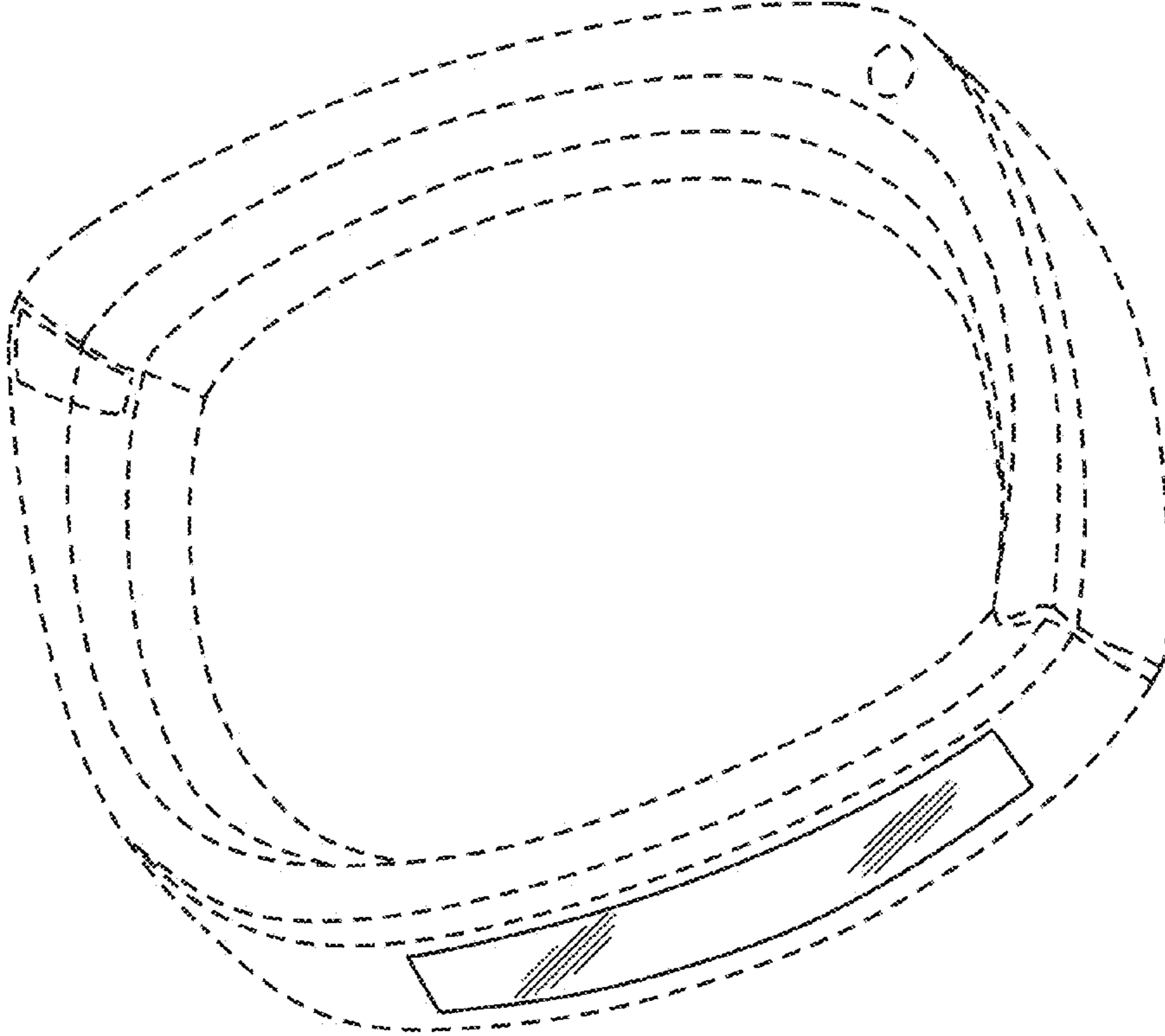


FIG. 3

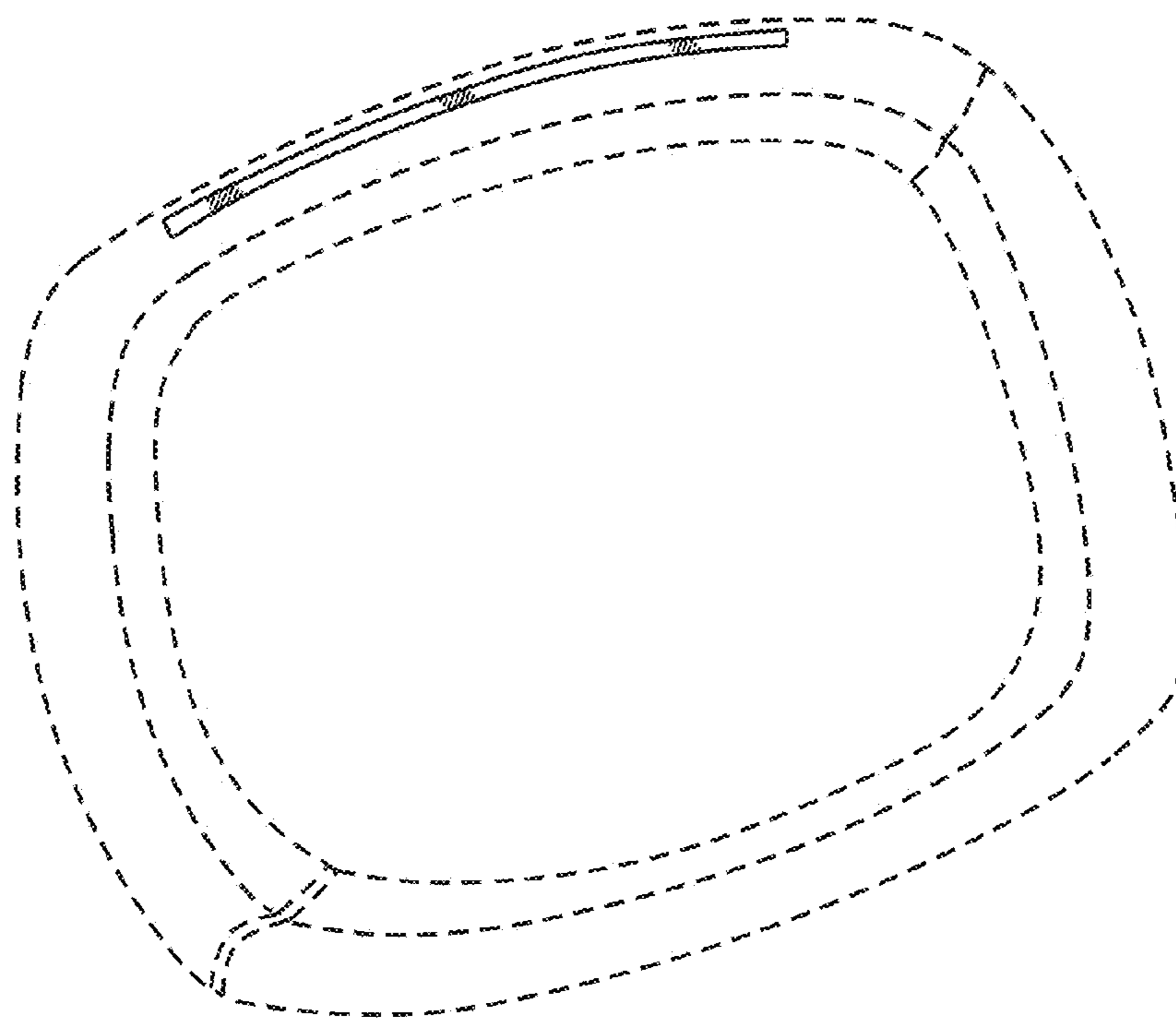


FIG. 4

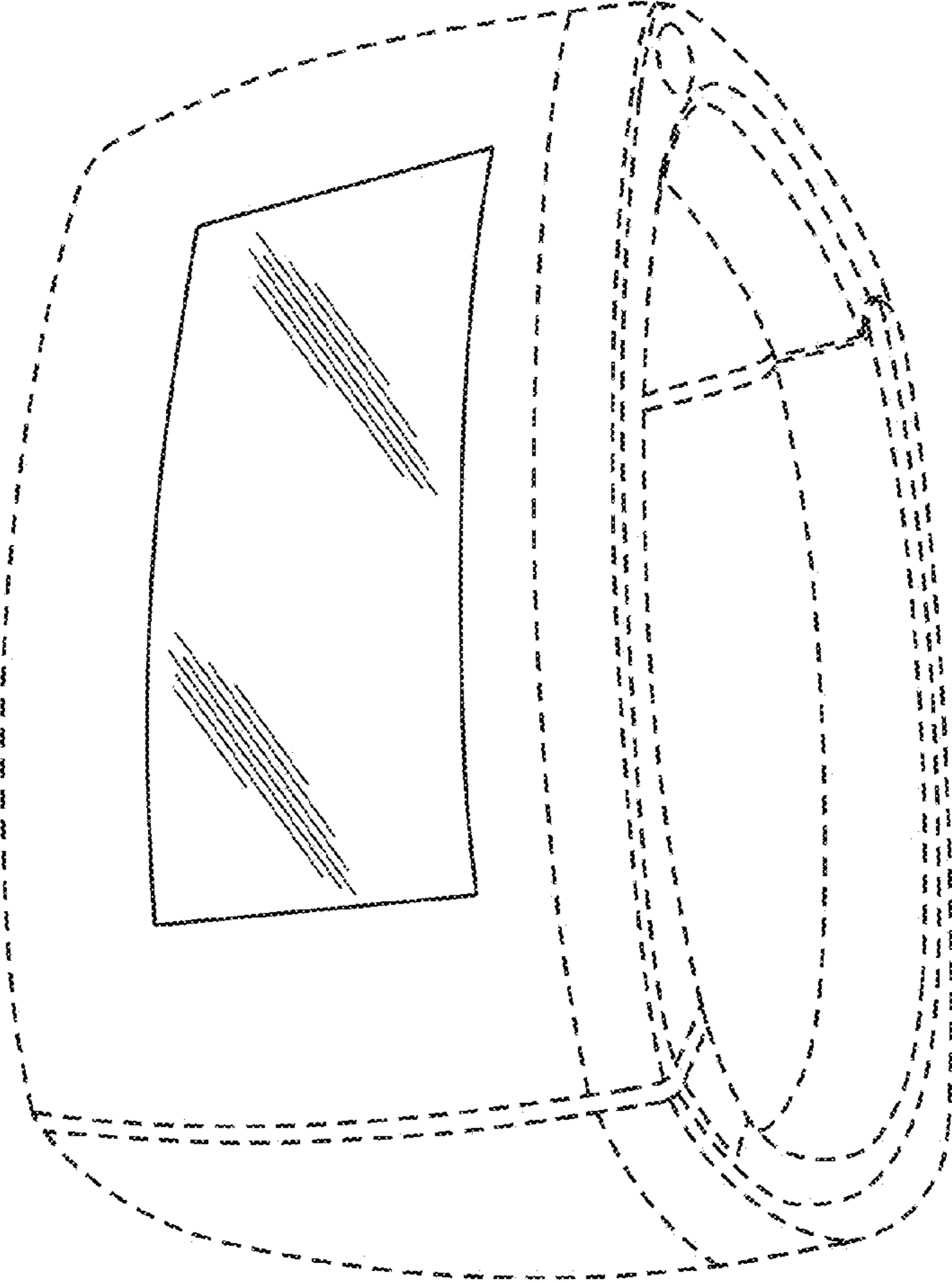


FIG. 5

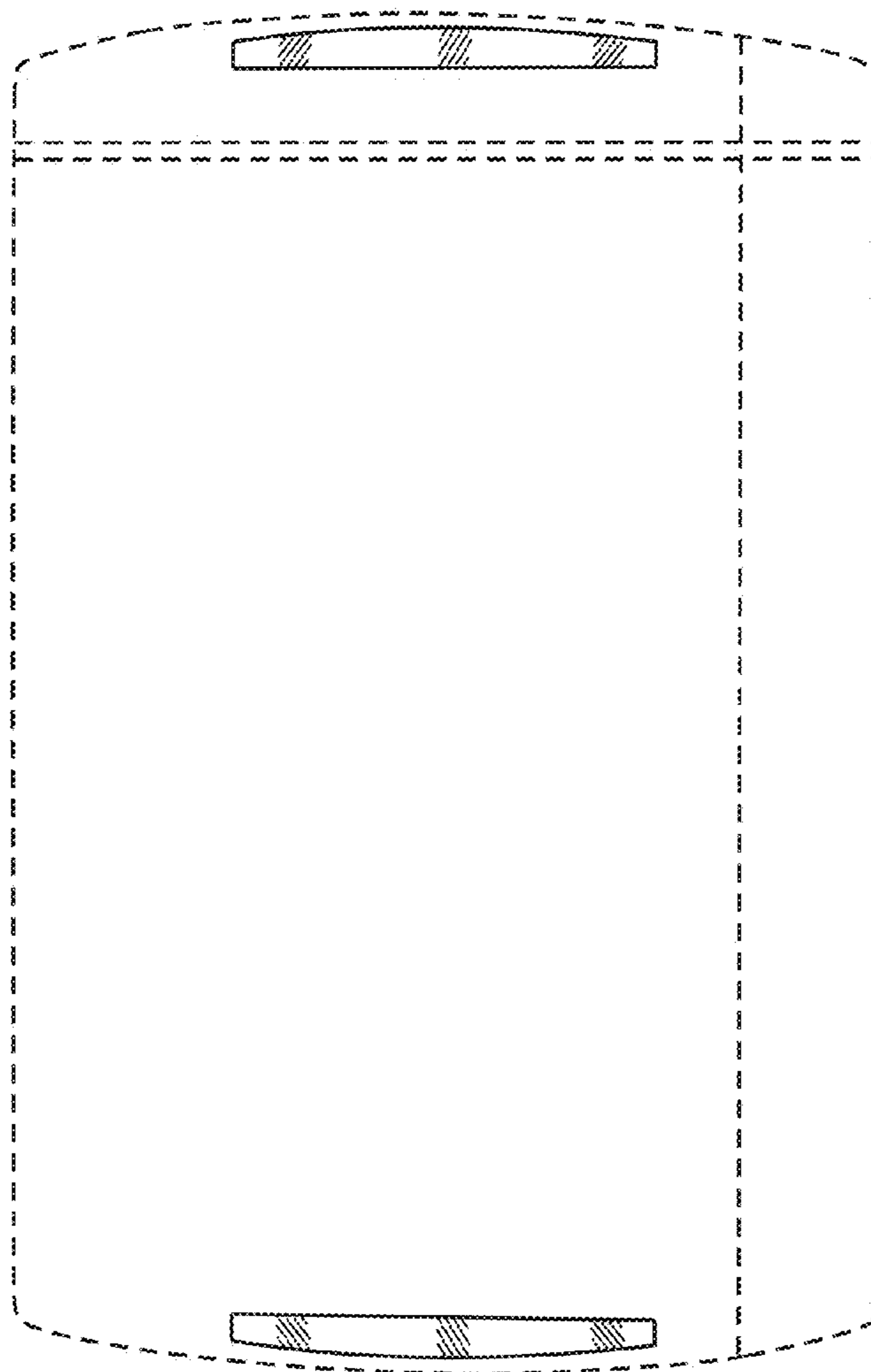


FIG. 6

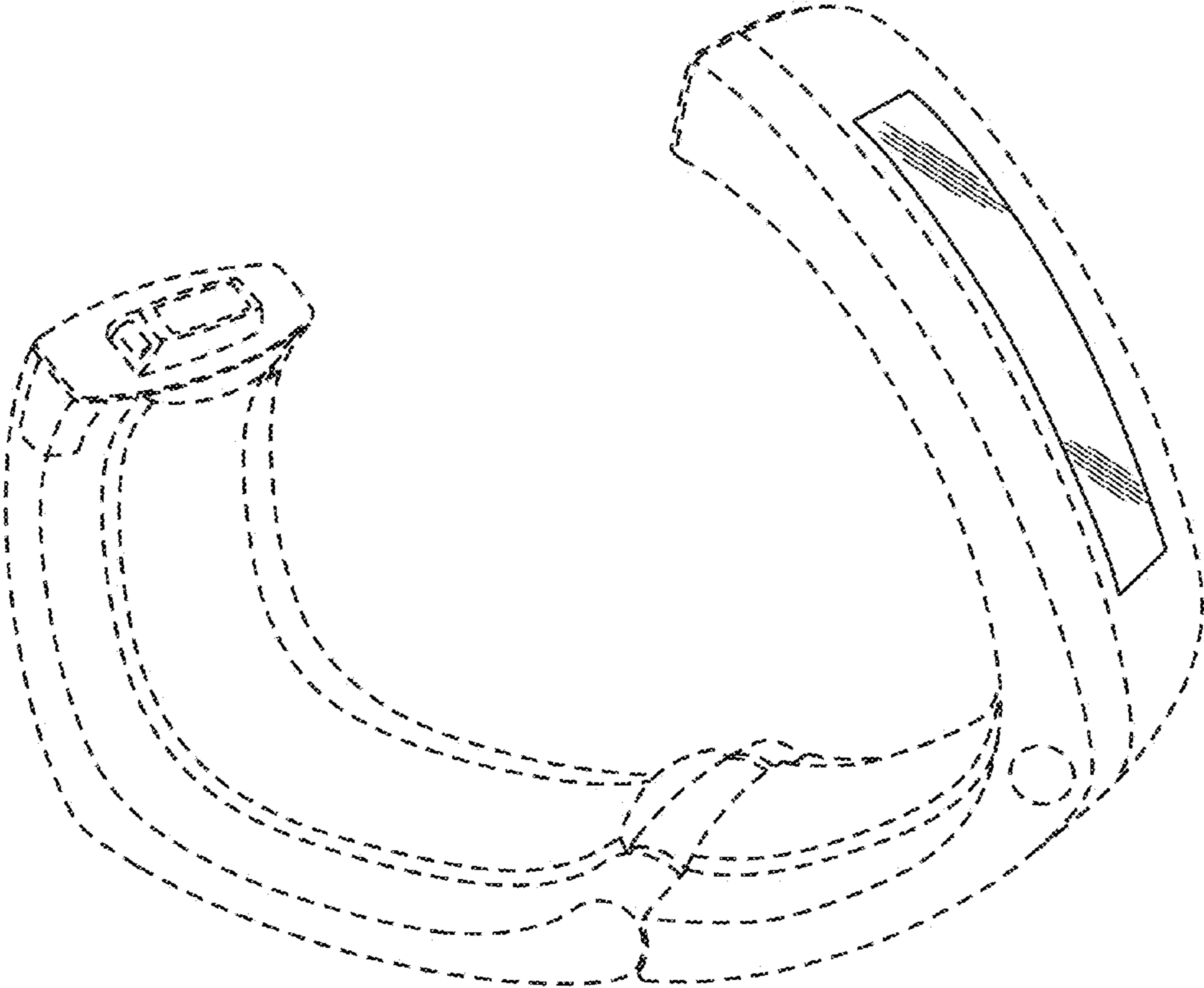


FIG. 7

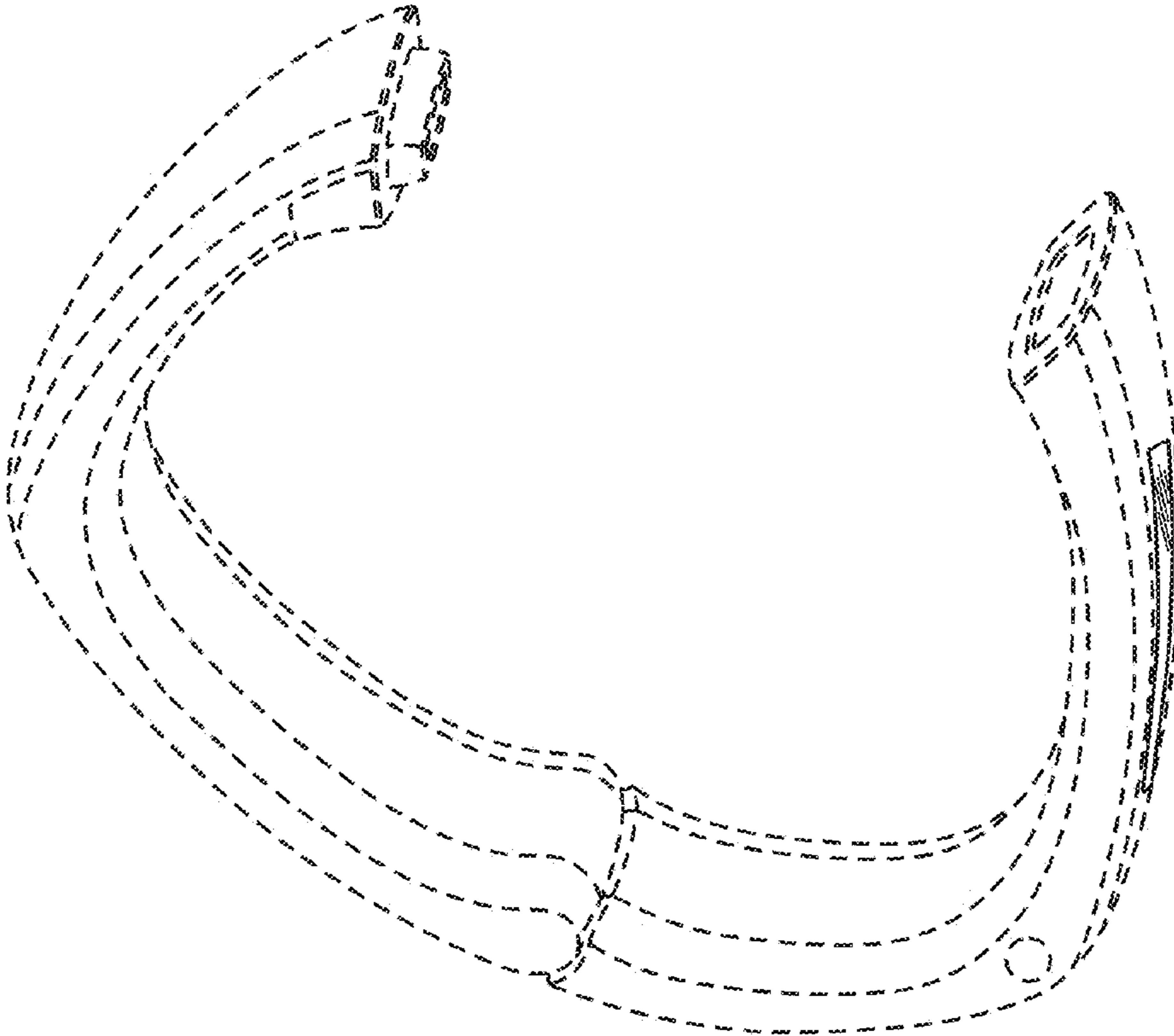


FIG. 8

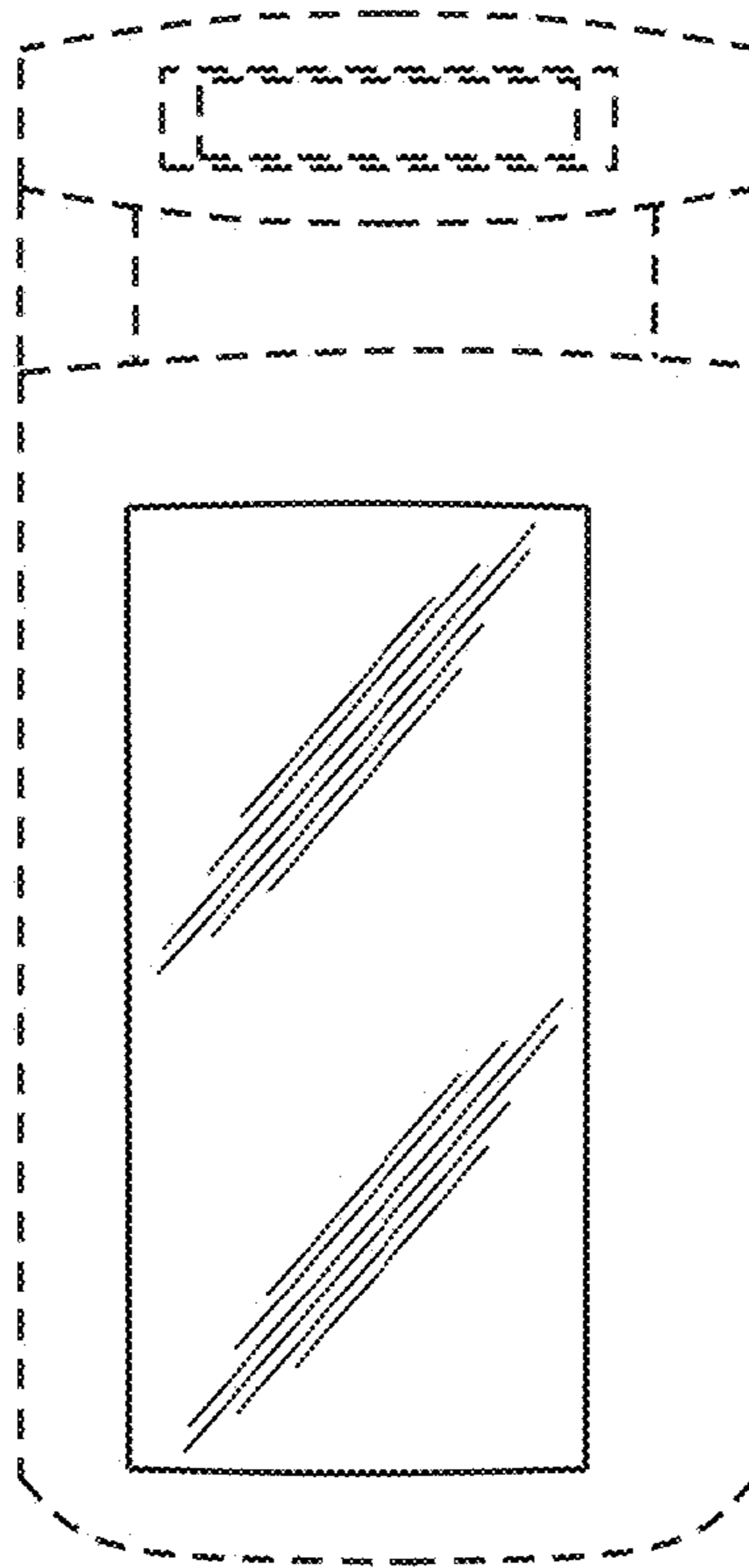


FIG. 9

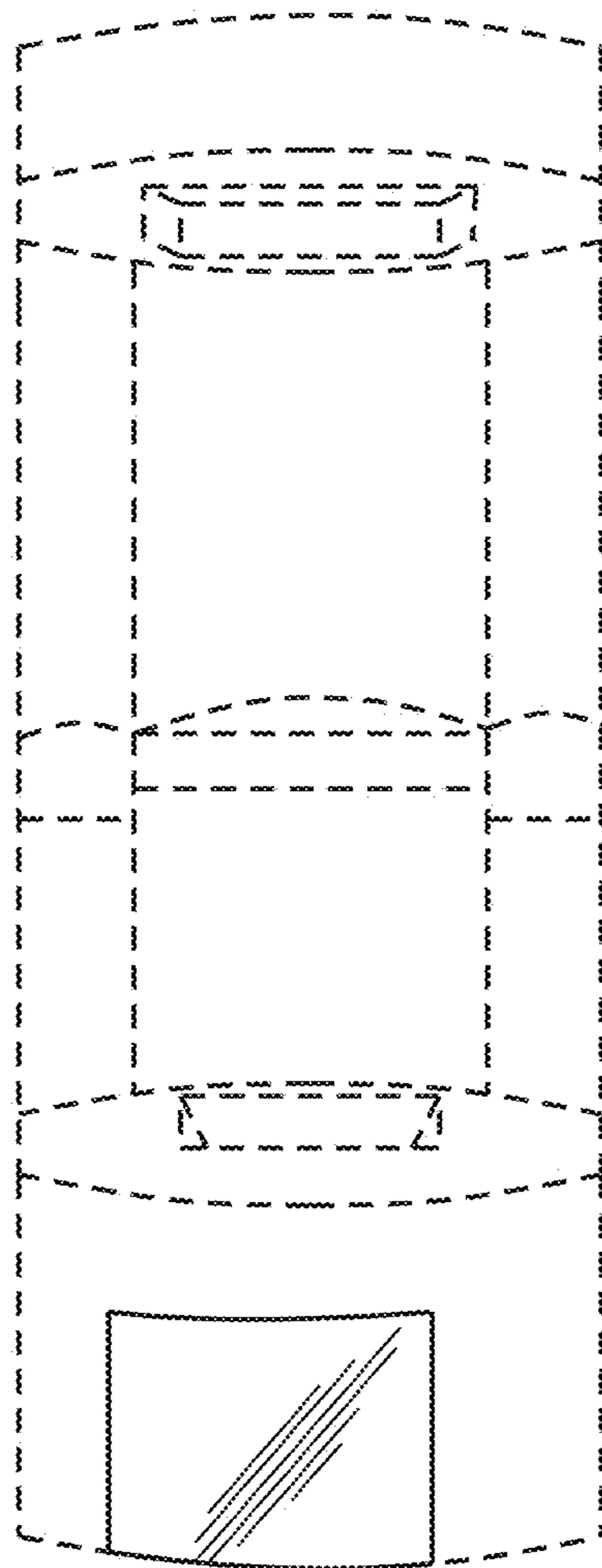


FIG. 10

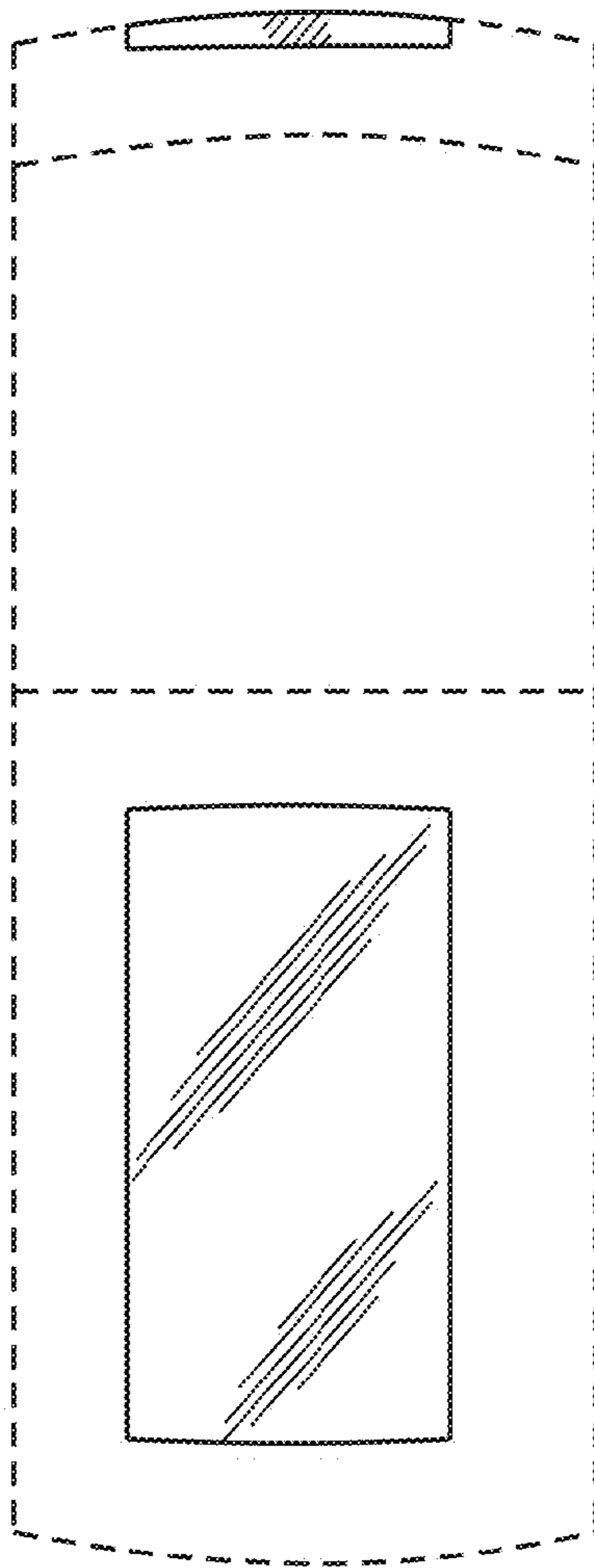


FIG. 11

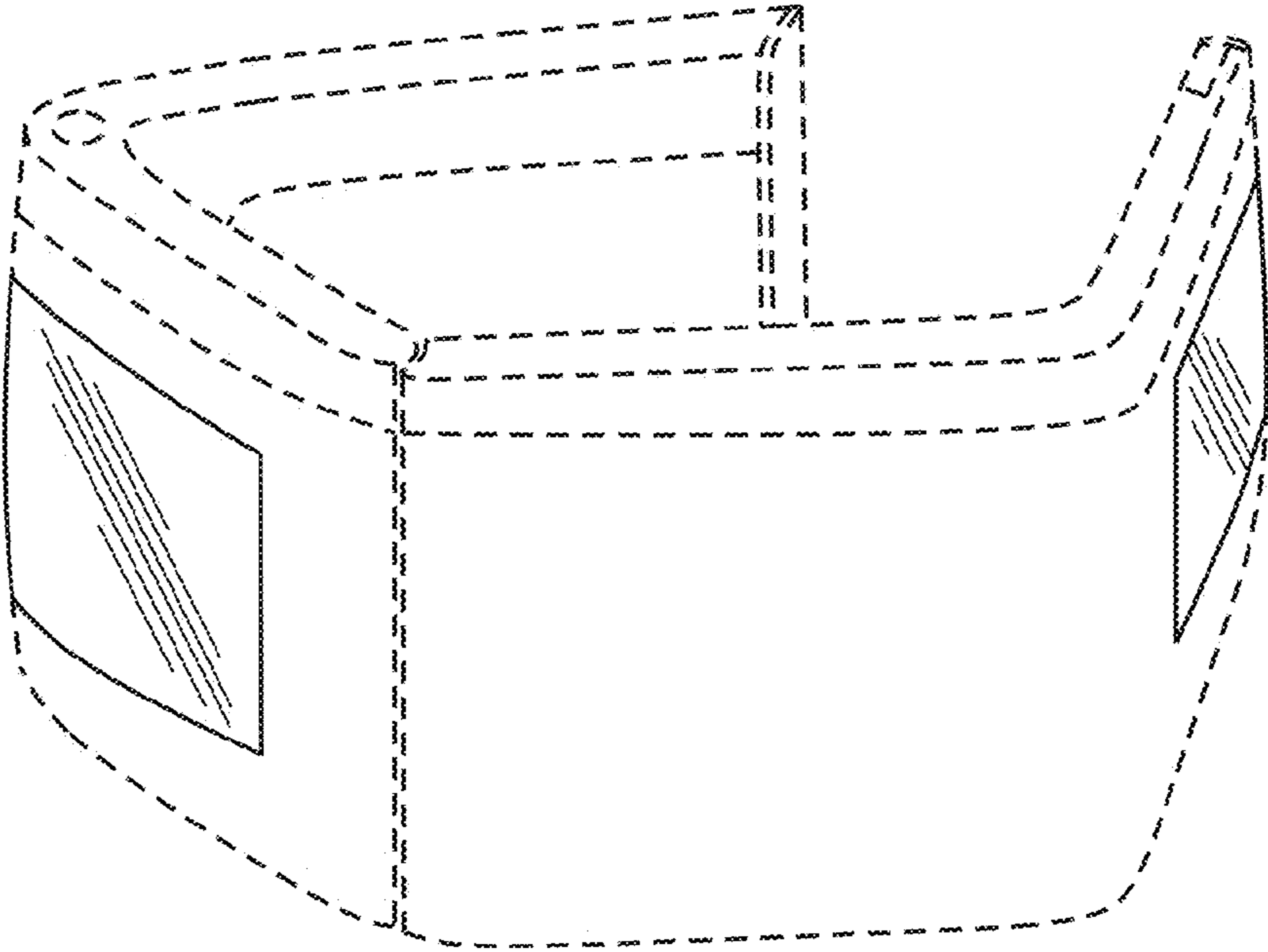


FIG. 12